

US00D529044S

(12) **United States Design Patent** (10) **Patent No.:** **US D529,044 S**  
**Andre et al.** (45) **Date of Patent:** **\*\* Sep. 26, 2006**

(54) **MEDIA DEVICE**

(75) Inventors: **Bartley K. Andre**, Menlo Park, CA (US); **Daniel J. Coster**, San Francisco, CA (US); **Daniele De Iuliis**, San Francisco, CA (US); **Richard P. Howarth**, San Francisco, CA (US); **Steve Jobs**, Palo Alto, CA (US); **Jonathan P. Ive**, San Francisco, CA (US); **Duncan Robert Kerr**, San Francisco, CA (US); **Shin Nishibori**, San Francisco, CA (US); **Matthew Dean Rohrbach**, San Francisco, CA (US); **Douglas B. Satzger**, Menlo Park, CA (US); **Calvin Q. Seid**, Palo Alto, CA (US); **Christopher J. Stringer**, Portola Valley, CA (US); **Eugene Antony Whang**, San Francisco, CA (US); **Rico Zörkendörfer**, San Francisco, CA (US)

(73) Assignee: **Apple Computer, Inc.**, Cupertino, CA (US)

(\*\*) Term: **14 Years**

(21) Appl. No.: **29/220,038**

(22) Filed: **Dec. 23, 2004**

(51) **LOC (8) Cl.** ..... **14-03**

(52) **U.S. Cl.** ..... **D14/496**

(58) **Field of Classification Search** ..... D14/496, D14/483, 156-158, 135, 136, 160-165, 192, D14/217, 474; 369/1, 6, 12, 83, 24.01, 273, 369/75.11; 370/342-345; 455/344-351; 273/148 B; 463/1, 43-47

See application file for complete search history.

(56) **References Cited**

**U.S. PATENT DOCUMENTS**

5,825,408 A \* 10/1998 Yuyama et al. .... 348/14.01

(Continued)

**FOREIGN PATENT DOCUMENTS**

JP D1085073 9/2000  
JP D1085080 9/2000

(Continued)

**OTHER PUBLICATIONS**

U.S. Appl. No. 29/224,220, Andre et al., *Media Device*, filed Feb. 25, 2005.

U.S. Appl. No. 29/208,302, Andre et al., *Media Device*, filed Jun. 24, 2004.

(Continued)

*Primary Examiner*—Prabhakar Deshmukh  
(74) *Attorney, Agent, or Firm*—Beyer Weaver & Thomas, LLP

(57) **CLAIM**

We claim The ornamental design for a media device, substantially as shown and described.

**DESCRIPTION**

FIG. 1 is a perspective view of a media device showing our new design;

FIG. 2 is an exploded perspective view thereof, with the cap removed;

FIG. 3 is a front elevational view thereof;

FIG. 4 is a rear elevational view thereof;

FIG. 5 is an exploded front elevational view thereof, with the cap removed;

FIG. 6 is a left side elevational view thereof;

FIG. 7 is a right side elevational view thereof;

FIG. 8 is an exploded left side elevational view thereof, with the cap removed;

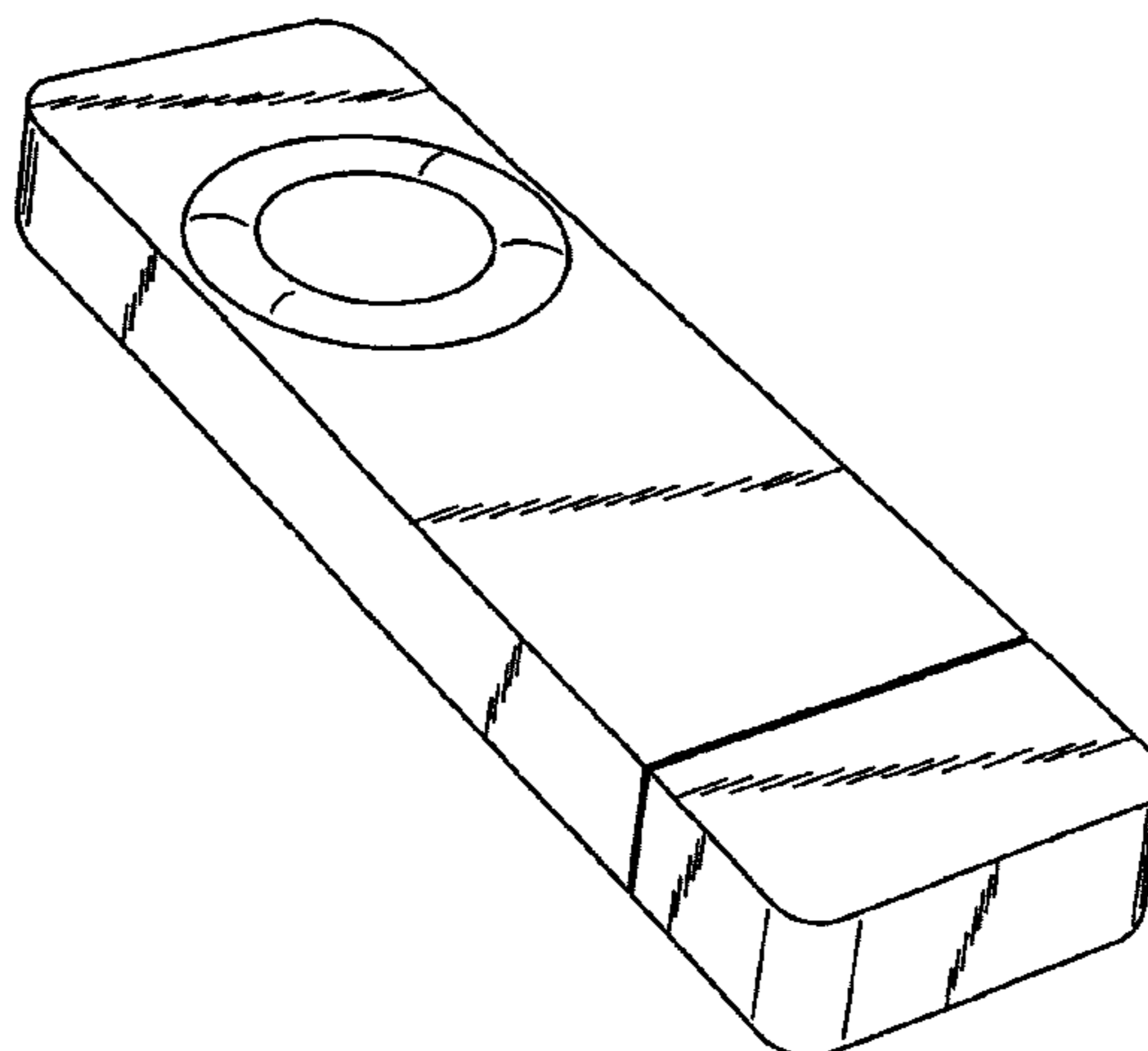
FIG. 9 is a top plan view thereof;

FIG. 10 is a bottom plan view thereof, with the cap removed;

FIG. 11 is a bottom plan view thereof, with the cap connected; and,

FIG. 12 is a top plan view of the cap of the media device. The broken lines are for illustrative purpose only and form no part of the claimed design.

**1 Claim, 2 Drawing Sheets**



U.S. PATENT DOCUMENTS

5,859,594	A *	1/1999	King et al.	.....	340/7.55
6,122,526	A *	9/2000	Parulski et al.	.....	455/556.1
6,671,567	B1 *	12/2003	Dwyer et al.	.....	700/94
D494,188	S *	8/2004	Huang	.....	D14/496
6,791,907	B1 *	9/2004	Berhan	.....	369/7
D500,302	S	12/2004	Deguchi		
D500,485	S	1/2005	Deguchi		
D506,476	S *	6/2005	Andre et al.	.....	D14/496
D507,277	S *	7/2005	Sitoh	.....	D14/496
6,920,344	B1 *	7/2005	Jang	.....	455/575.5
D508,495	S *	8/2005	Bone et al.	.....	D14/496
D511,347	S *	11/2005	Naruki	.....	D14/496
D511,510	S *	11/2005	Beasley et al.	.....	D14/149
D513,011	S *	12/2005	Johnson	.....	D14/496
2004/0233646	A1 *	11/2004	Yen	.....	361/752
2005/0109841	A1 *	5/2005	Ryan et al.	.....	235/380
2006/0094301	A1 *	5/2006	Lee et al.	.....	439/660

FOREIGN PATENT DOCUMENTS

JP	D1089527	10/2000
JP	D1089528	10/2000
JP	D1089529	10/2000
JP	D1105429	4/2001
JP	D1106452	4/2001
JP	D1121650	9/2001
JP	D1123108	10/2001
JP	D1129386	12/2001
JP	D1129387	12/2001

JP	D1106151	8/2002
JP	D1089530	10/2002
JP	D1131037	10/2002
JP	D1154927	10/2002
JP	D1174623	6/2003
JP	D1174710	6/2003
JP	D1185408	9/2003
JP	D1188267	10/2003
JP	D1191223	12/2003
JP	D1193941	1/2004
JP	D1211811	7/2004
JP	D1211812	7/2004

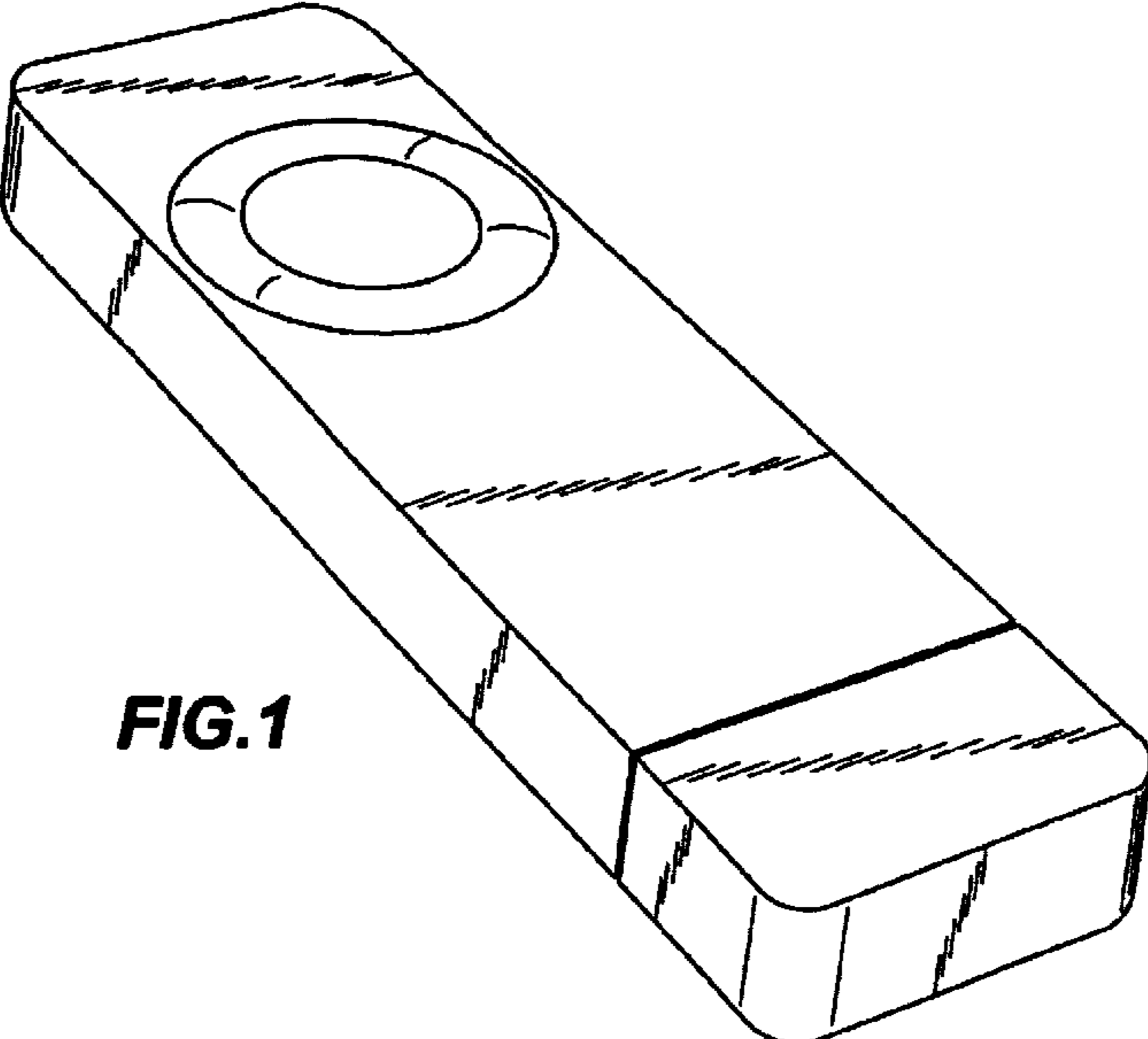
OTHER PUBLICATIONS

U.S. Appl. No. 29/212,343, Andre et al., *Media Device*, filed Aug. 31, 2004, D 506476.

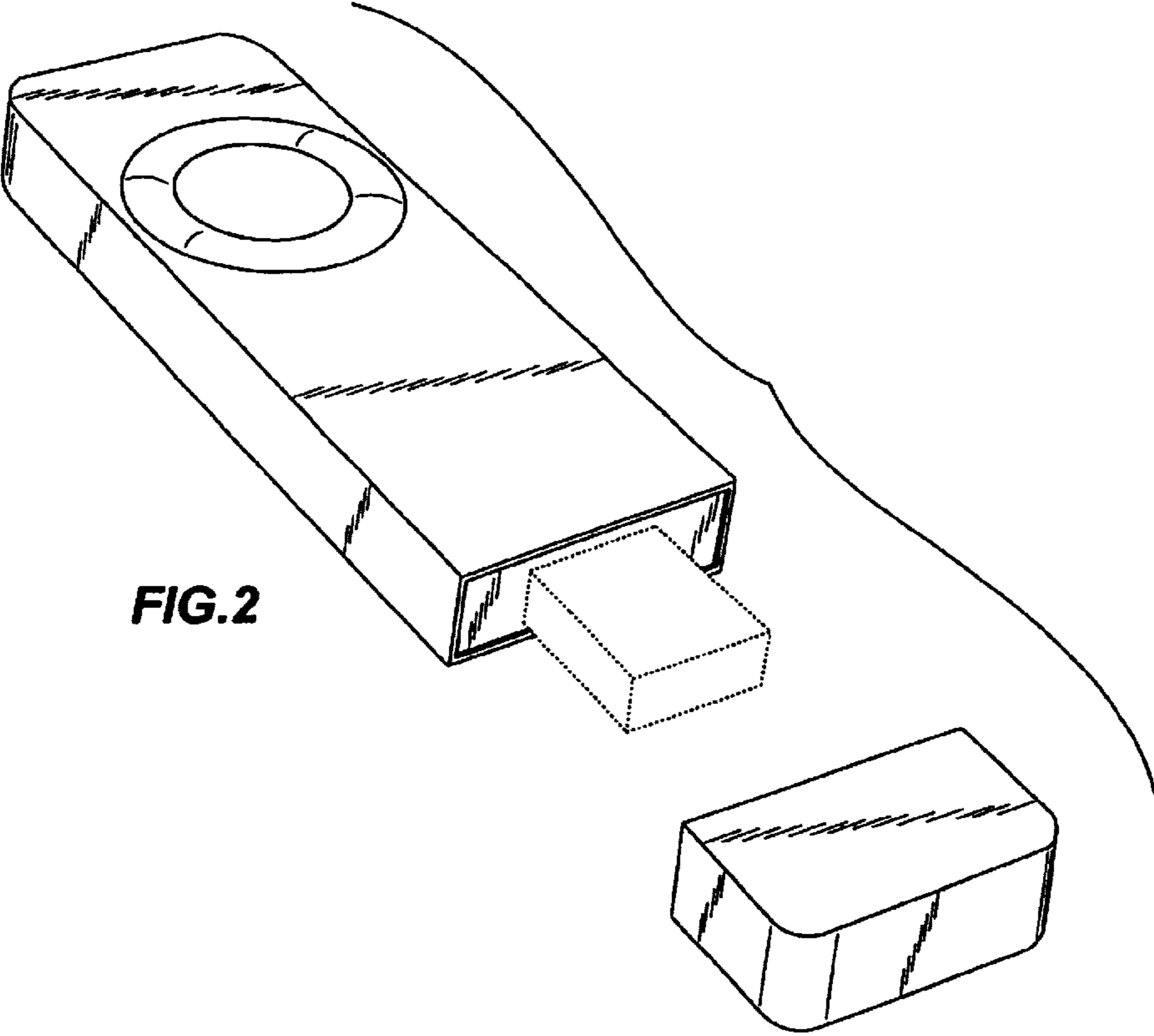
“Notification of Reason(s) for Refusal,” recieved in corresponding Japanese Design Application No. 2005–11833, Jun. 24, 2005.

“ASCII” weekly publication issued on Jul. 29, 2003, No. 450, Design of USB Memory Audio Player (JPO publicly known Design No. HA15013509) received by the National Center for Industrial Property Information on Jul. 15, 2003. Office Action from the Taiwanese Intellectual Property Office re: Taiwanese Design Application No. 94302098, Mar. 1, 2006.

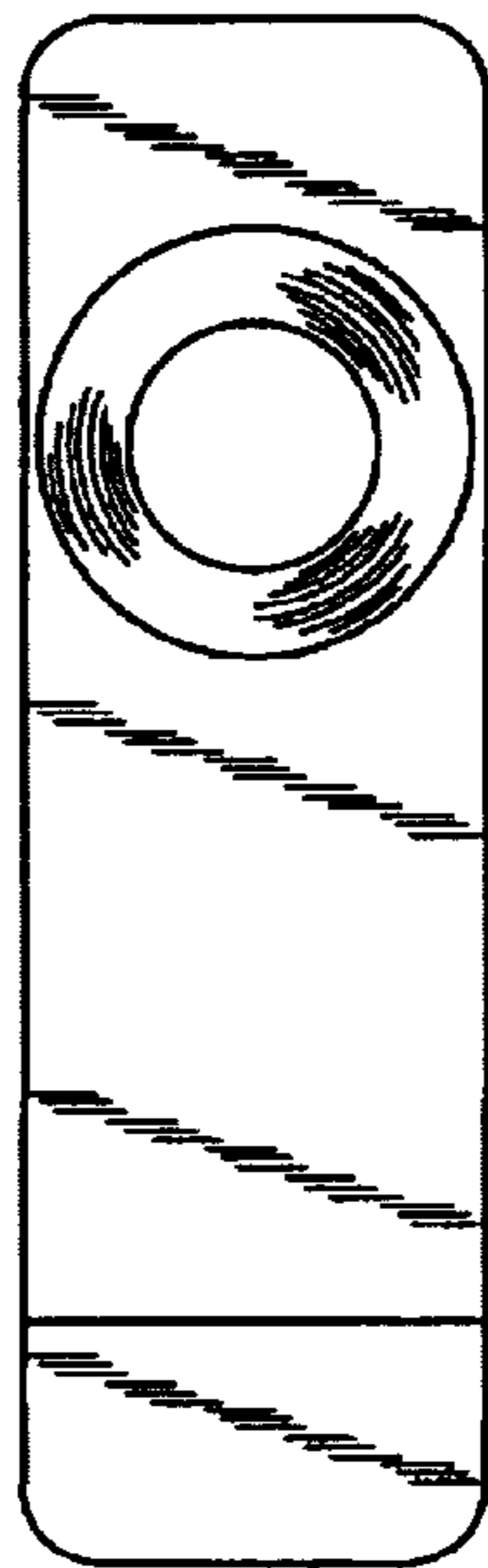
\* cited by examiner



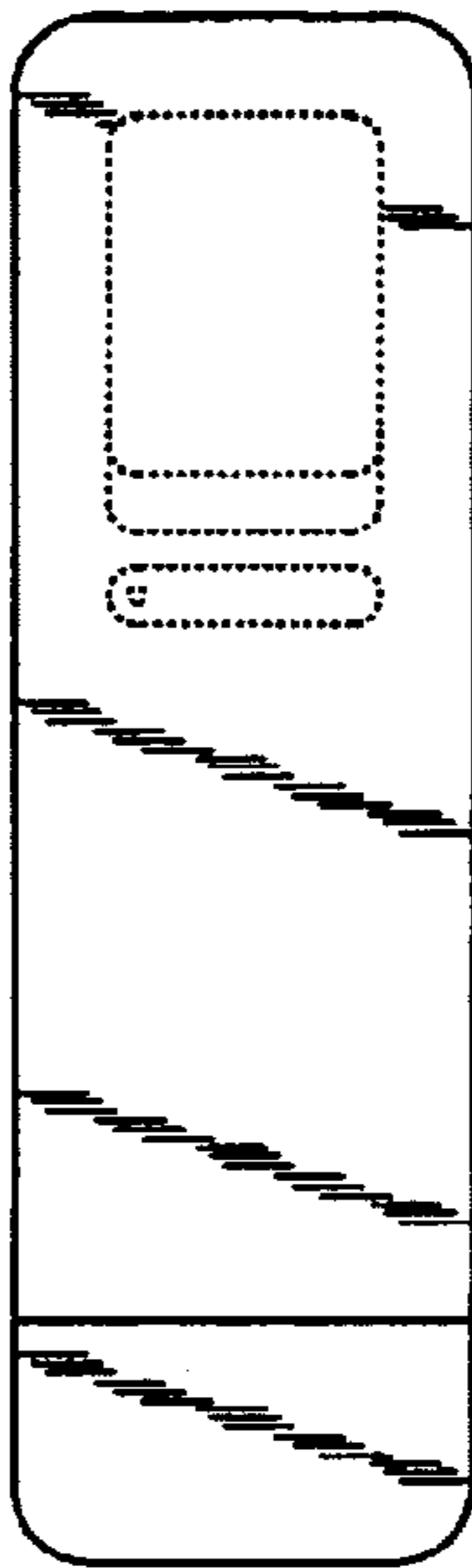
**FIG.1**



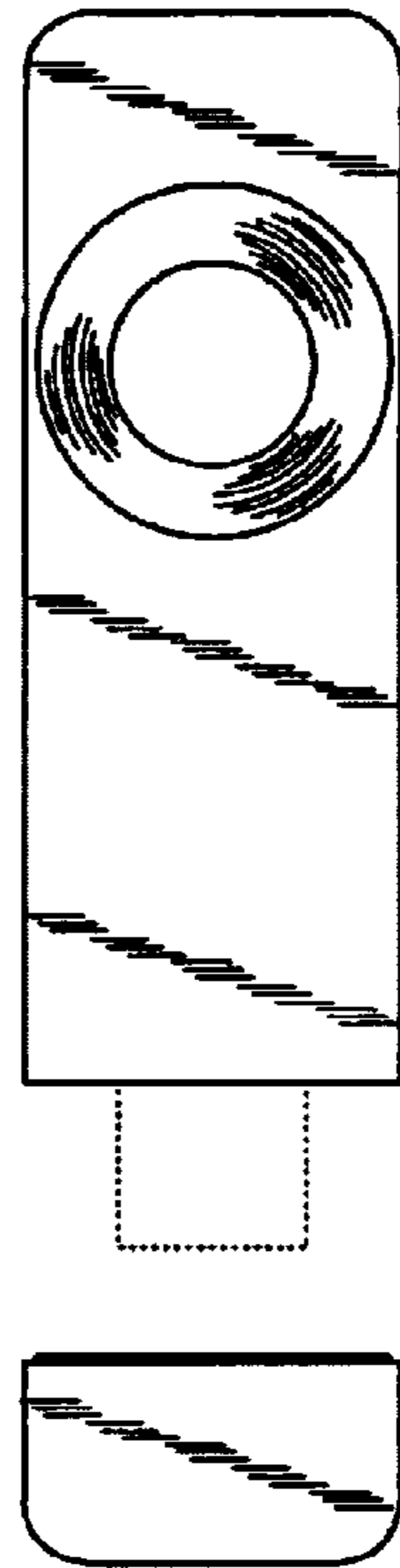
**FIG.2**



**FIG. 3**



**FIG. 4**



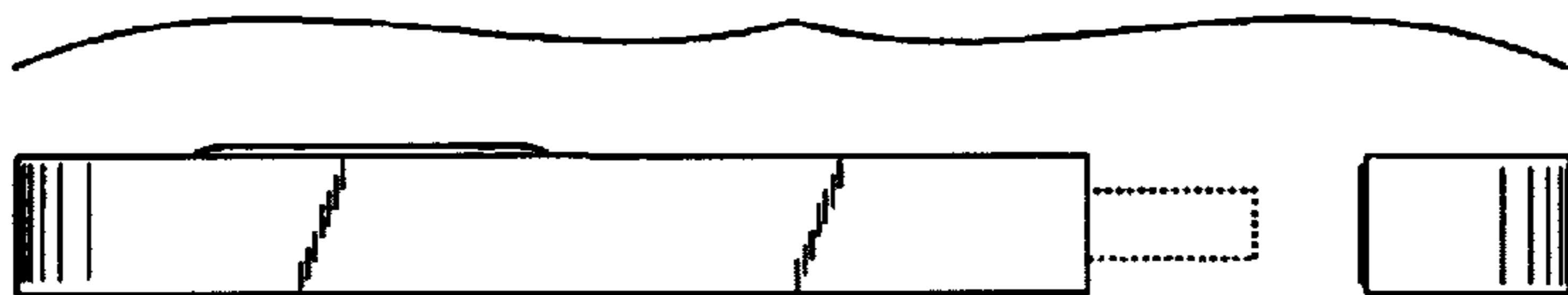
**FIG. 5**



**FIG. 6**



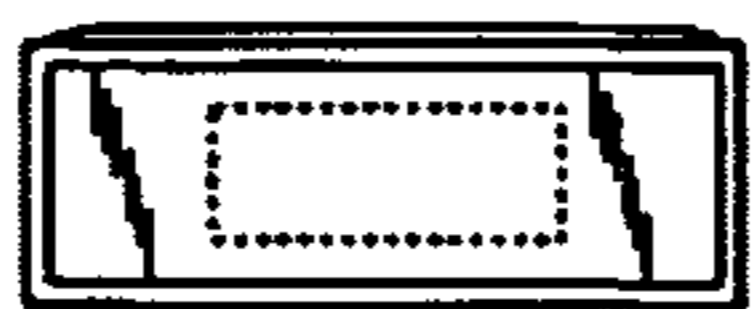
**FIG. 7**



**FIG. 8**



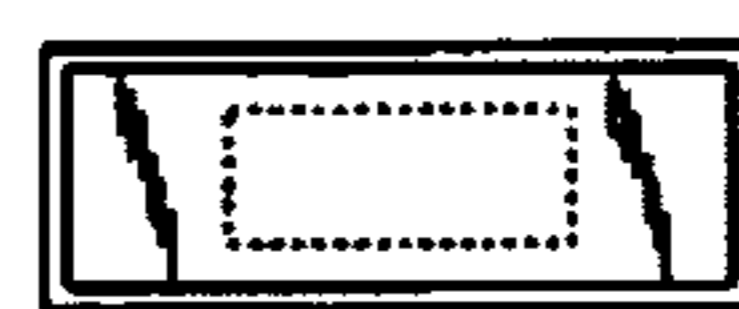
**FIG. 9**



**FIG. 10**



**FIG. 11**



**FIG. 12**