

US00D529034S

(12) **United States Design Patent**
Singer

(10) **Patent No.:** **US D529,034 S**

(45) **Date of Patent:** **** Sep. 26, 2006**

(54) **HOUSING FOR AN UNSOLICITED CALL
BLOCKING DEVICE**

(76) **Inventor:** **Richard Singer**, 883 15th Ave., Menlo
Park, CA (US) 94025

(**) **Term:** **14 Years**

(21) **Appl. No.:** **29/224,698**

(22) **Filed:** **Mar. 5, 2005**

(51) **LOC (8) Cl.** **16-03**

(52) **U.S. Cl.** **D14/471**

(58) **Field of Classification Search** D14/462-471,
D14/481, 483; 358/400-404, 437-442, 305;
382/254, 103, 309-311; 206/387.11

See application file for complete search history.

(56) **References Cited**

U.S. PATENT DOCUMENTS

3,444,315 A * 5/1969 Saeger et al. 358/441
5,357,347 A * 10/1994 Hirose et al. 358/296
D355,180 S * 2/1995 Zander D14/481

5,452,100 A * 9/1995 Neilson 358/404
5,533,144 A * 7/1996 Fan 382/135
6,628,429 B1 * 9/2003 Razazian 358/406
6,766,056 B1 * 7/2004 Huang et al. 382/190
6,781,722 B1 * 8/2004 Goldsmith 358/437
7,002,704 B1 * 2/2006 Fan 358/1.16

* cited by examiner

Primary Examiner—Prabhakar Deshmukh

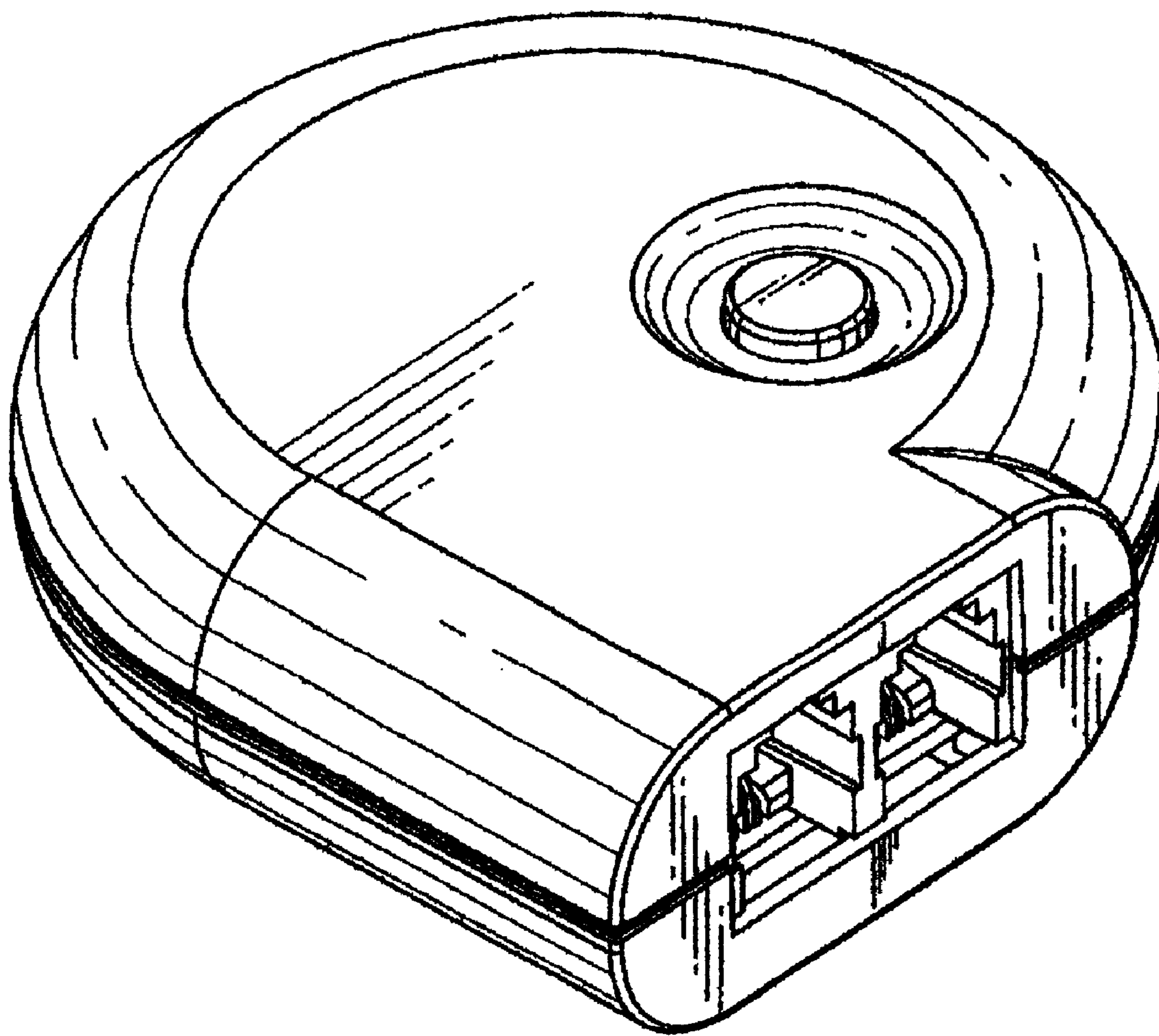
(57) **CLAIM**

The ornamental design for housing for an unsolicited call blocking device, as shown and described.

DESCRIPTION

FIG. 1 is a top left front perspective view of the housing for the device showing our new design;
FIG. 2 is a front elevation thereof;
FIG. 3 is a top plan thereof;
FIG. 4 is a rear elevation thereof;
FIG. 5 is a side elevation thereof; and,
FIG. 6 is a bottom plan thereof.

1 Claim, 2 Drawing Sheets



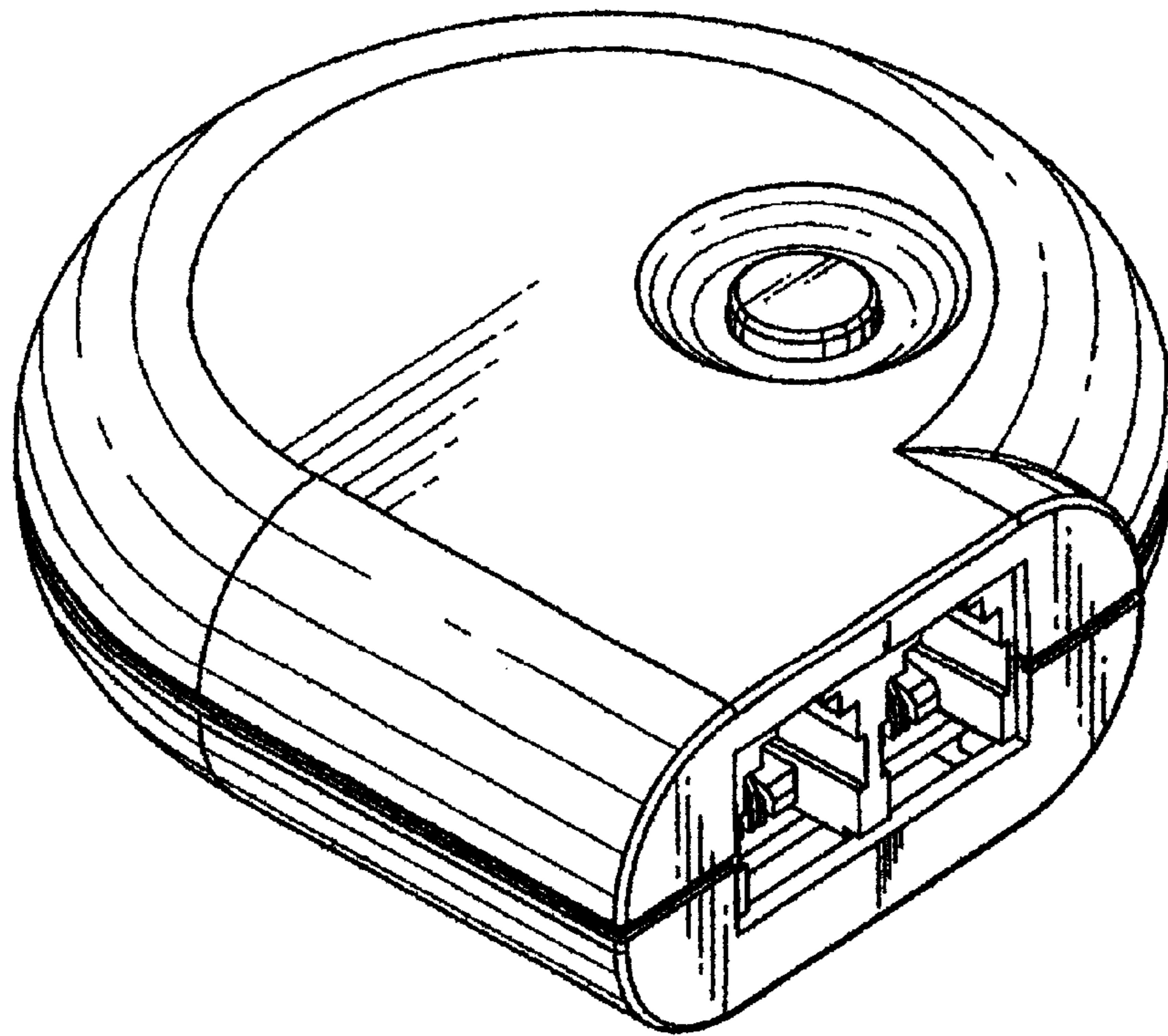


FIG.1

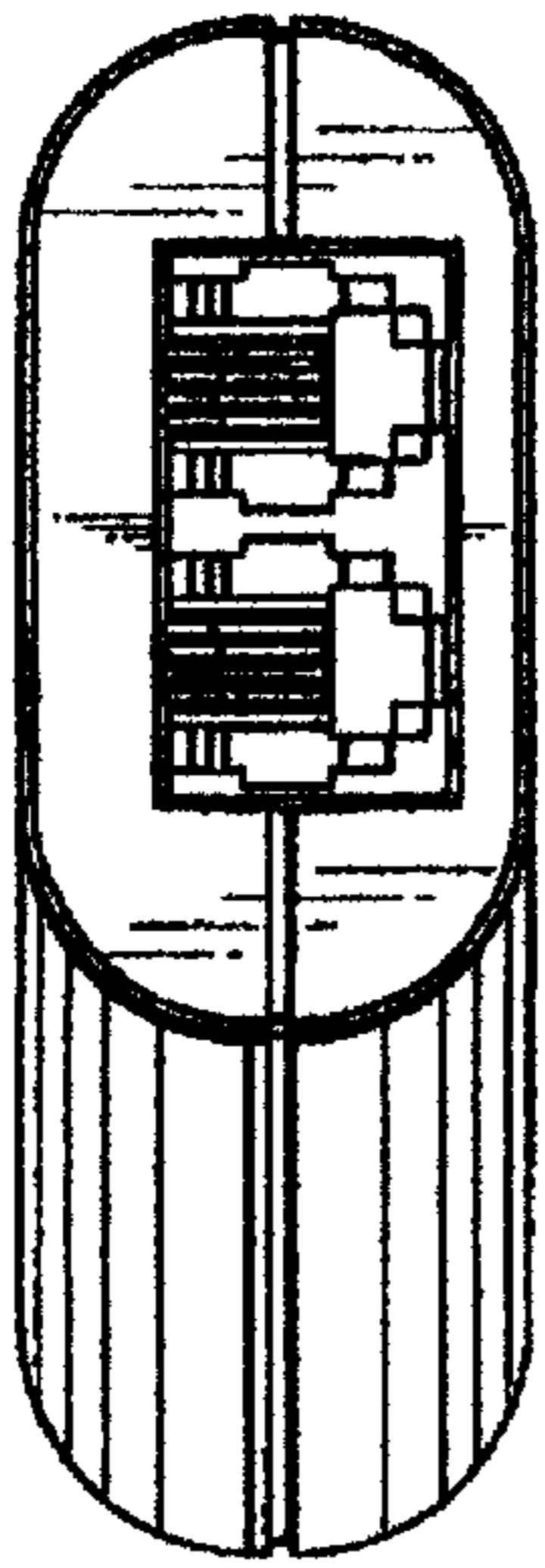


FIG. 2

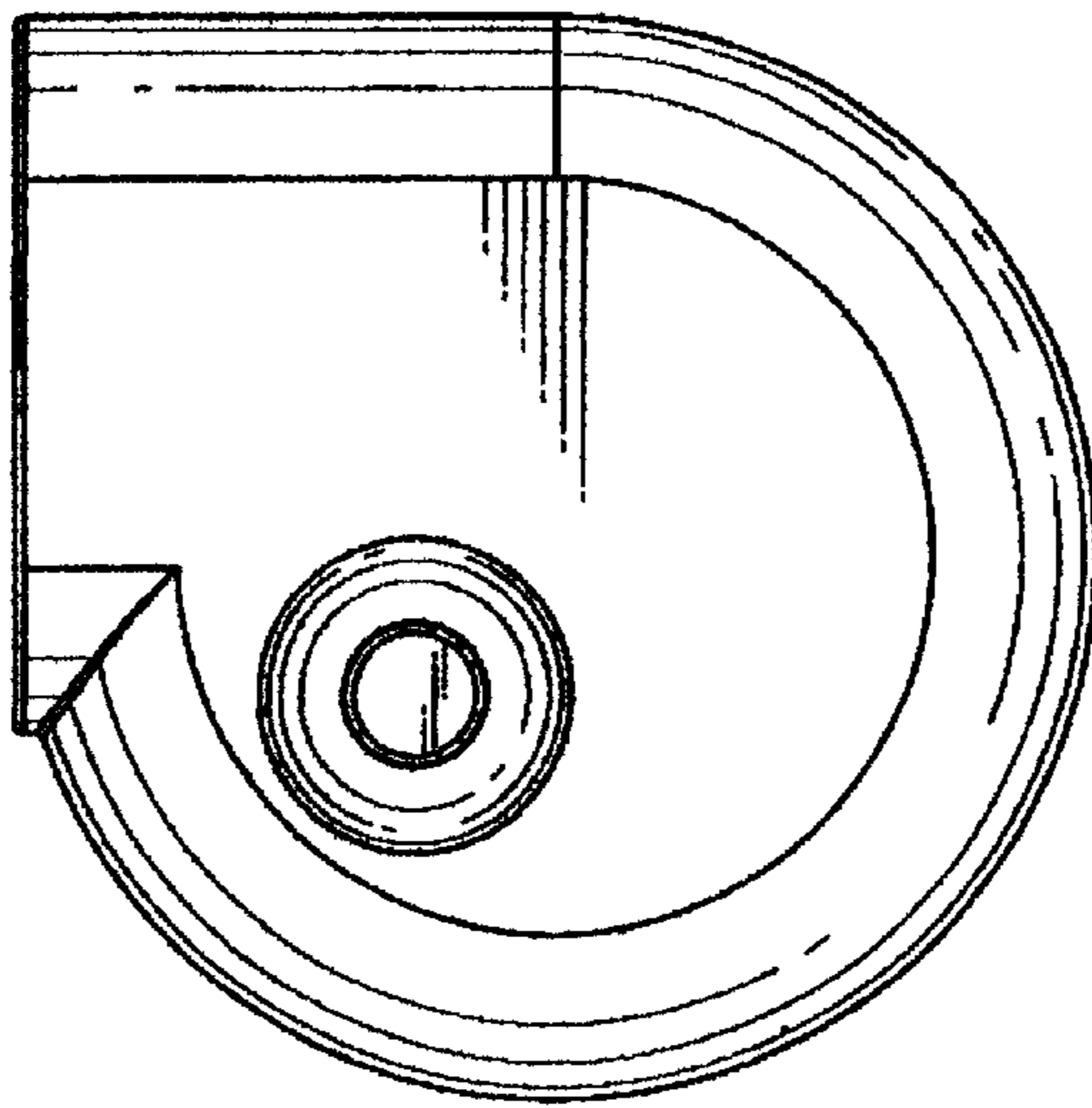


FIG. 3

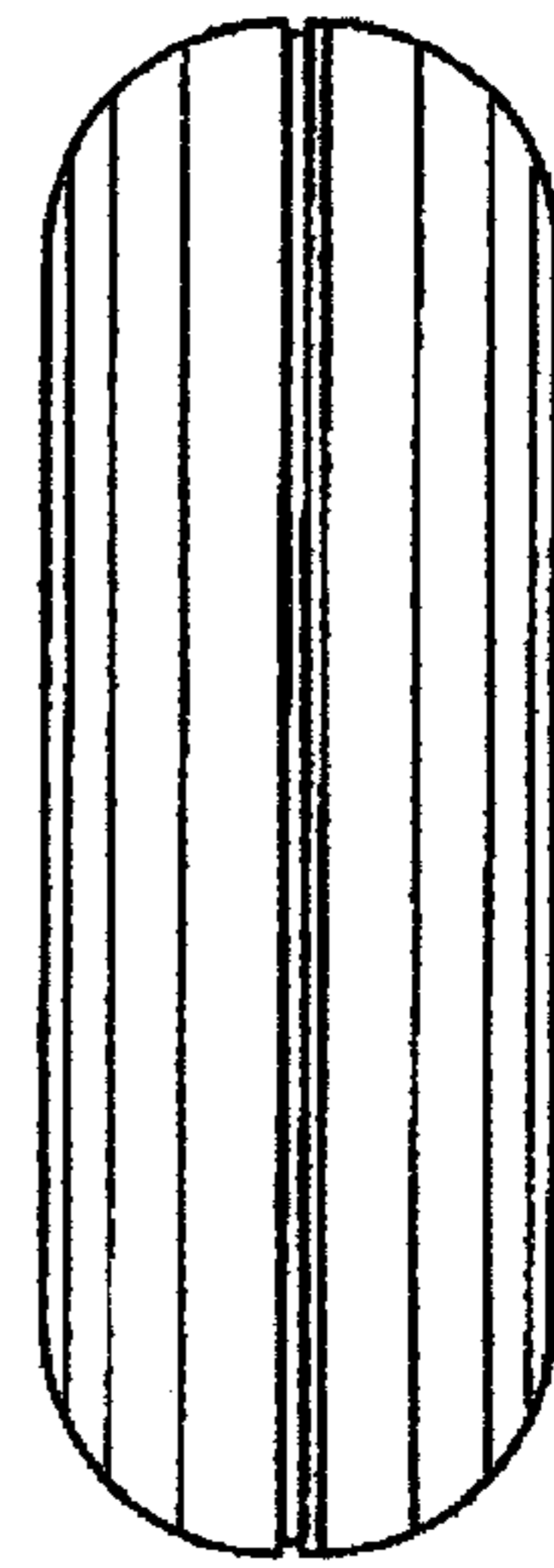


FIG. 4

FIG. 5

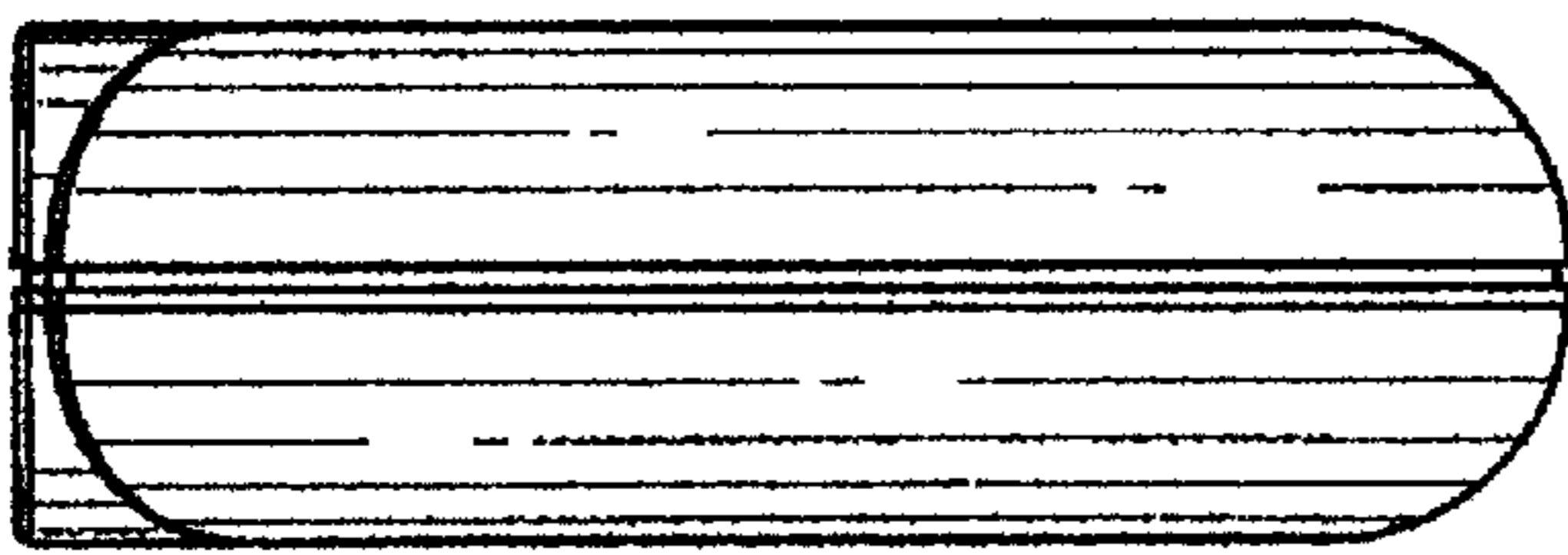


FIG. 6

