



US00D529033S

(12) **United States Design Patent**
Hung

(10) **Patent No.:** **US D529,033 S**

(45) **Date of Patent:** **** Sep. 26, 2006**

(54) **EXTENSION MOUNT FOR A FLAT PANEL MONITOR**

2002/0011544 A1 * 1/2002 Bosson 248/121

* cited by examiner

(76) Inventor: **Chin-Jui Hung**, No. 11-2, Wu-Nan Rd.,
Wu-Chi Chen, Taichung Hsien (TW)

Primary Examiner—Alan P. Douglas
Assistant Examiner—Susan Moon Lee

(**) Term: **14 Years**

(74) *Attorney, Agent, or Firm*—Alan D. Kamrath; Nikolai
& Mersereau, P.A.

(21) Appl. No.: **29/227,388**

(57) **CLAIM**

(22) Filed: **Apr. 11, 2005**

I claim the ornamental design for an extension mount for a flat panel monitor, as shown and described.

(51) **LOC (8) Cl.** **08-07**

DESCRIPTION

(52) **U.S. Cl.** **D14/452**

(58) **Field of Classification Search** 248/278.1,
248/284.1, 291.1, 917, 274.1, 276.1, 201,
248/282.1, 237, 288.31, 919, 205.1; D14/452,
D14/451, 447; 362/33; D8/355, 363, 373;
343/878, 880–82

FIG. 1 is a perspective view of the extension mount for a flat panel monitor showing my new design;
FIG. 2 is a front view thereof;
FIG. 3 is a rear view thereof;
FIG. 4 is a left side view thereof;
FIG. 5 is a right side view thereof;
FIG. 6 is a top view thereof;
FIG. 7 is a bottom view thereof;

See application file for complete search history.

FIG. 8 is an operational rear view of the extension mount for a flat panel monitor, wherein the extension mount extends straight between a base on a wall and a flat panel monitor; and,

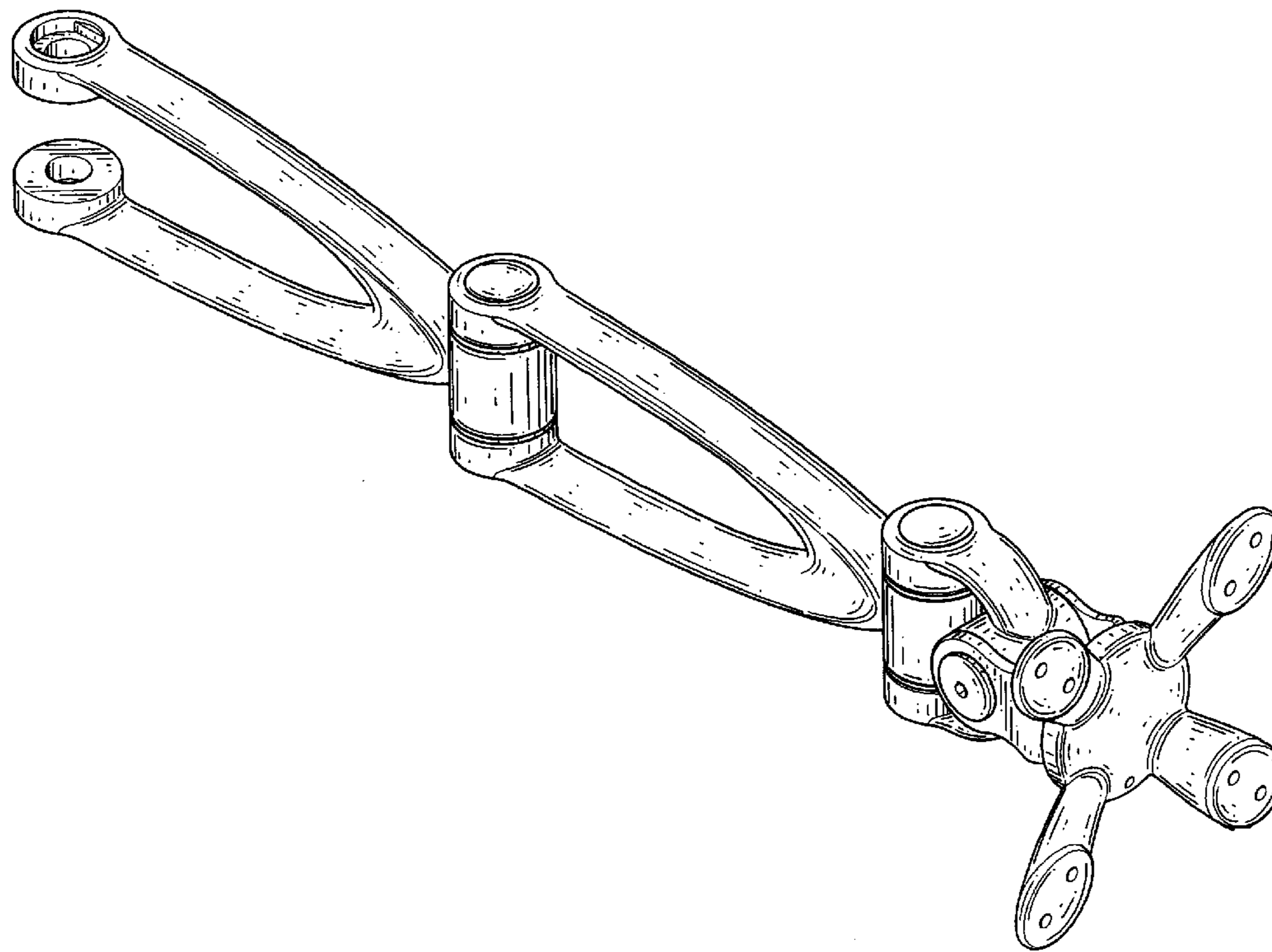
(56) **References Cited**

U.S. PATENT DOCUMENTS

5,074,501	A	*	12/1991	Holtta	248/118.3
5,379,205	A	*	1/1995	Peng	362/430
5,400,991	A	*	3/1995	Werner	248/230.4
6,095,467	A	*	8/2000	Neuhof	248/278.1
6,179,262	B1	*	1/2001	Ellard et al.	248/276.1
D462,893	S	*	9/2002	Sung	D8/373
6,554,238	B1	*	4/2003	Hibberd	248/278.1
6,758,454	B1	*	7/2004	Smed	248/314

FIG. 9 is another operational rear view of the extension mount for a flat panel monitor, wherein the extension mount extends straight between a stand and a flat panel monitor. The broken lines are shown for illustrative purposes only and form no part of the claimed design.

1 Claim, 6 Drawing Sheets



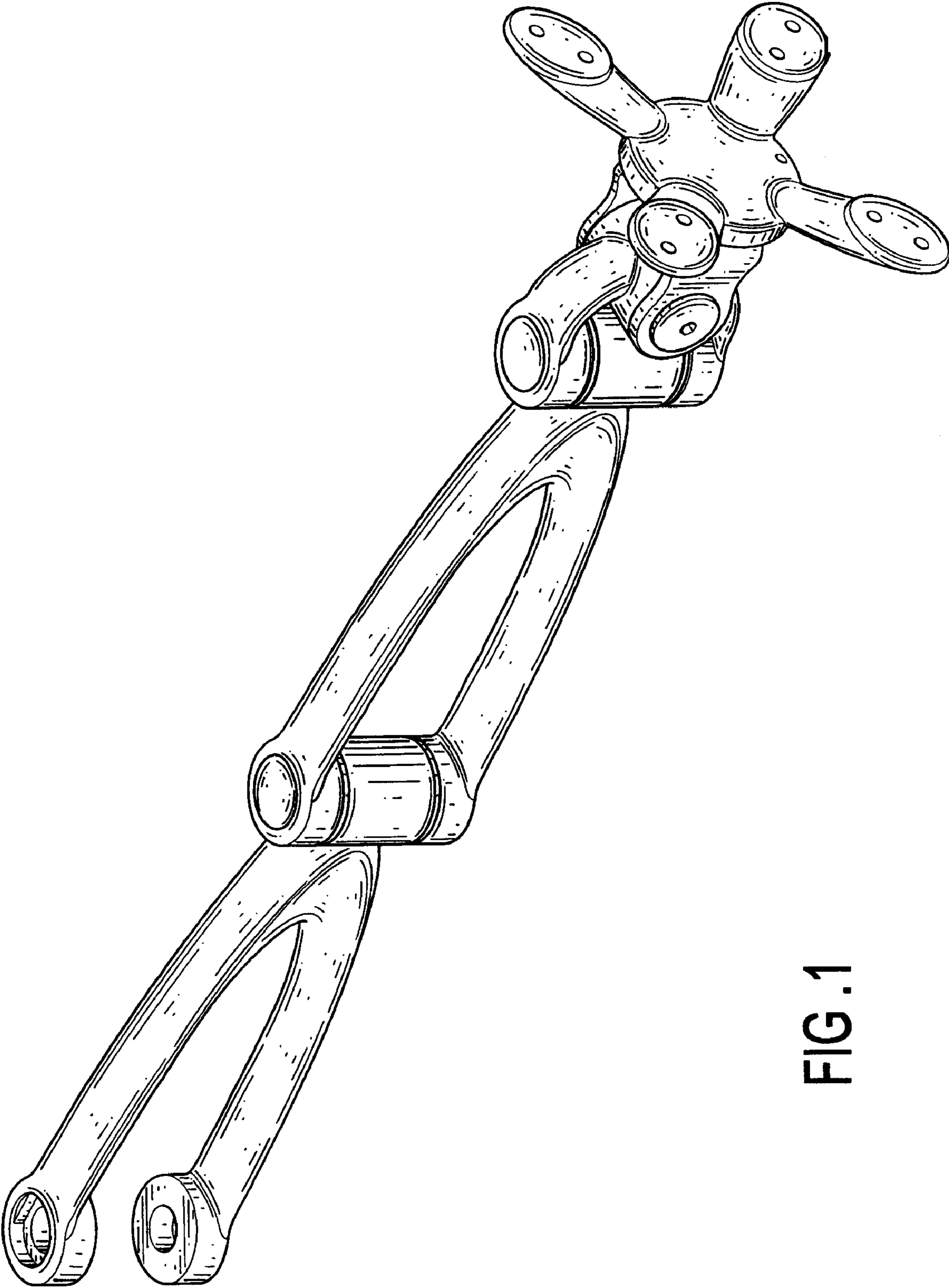


FIG. 1

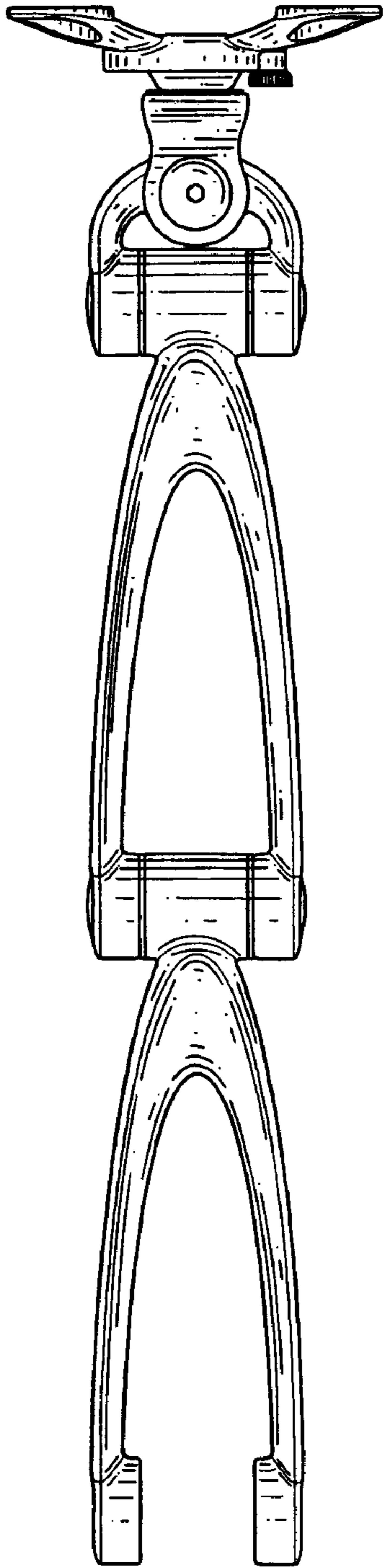


FIG. 2

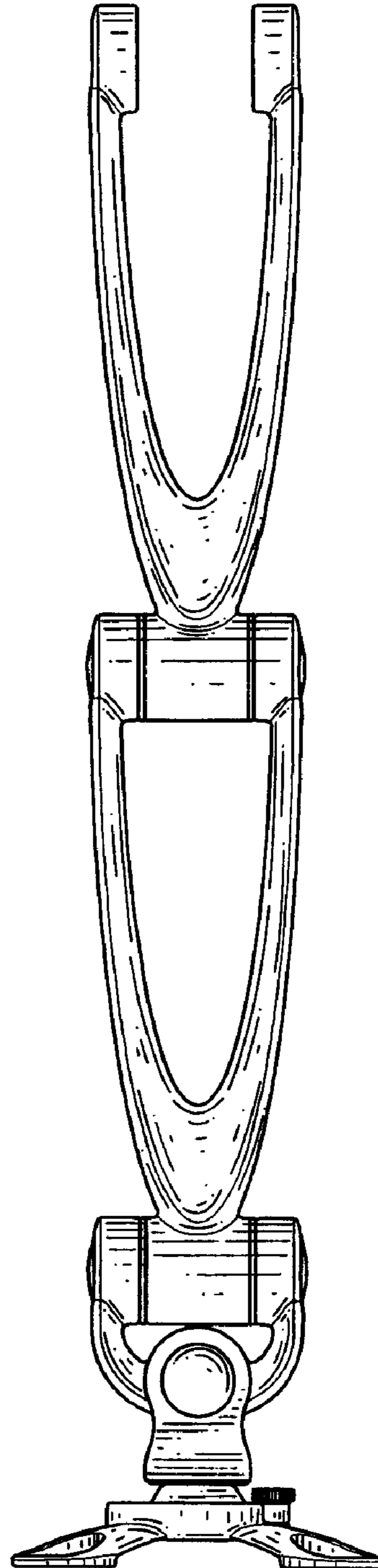


FIG. 3

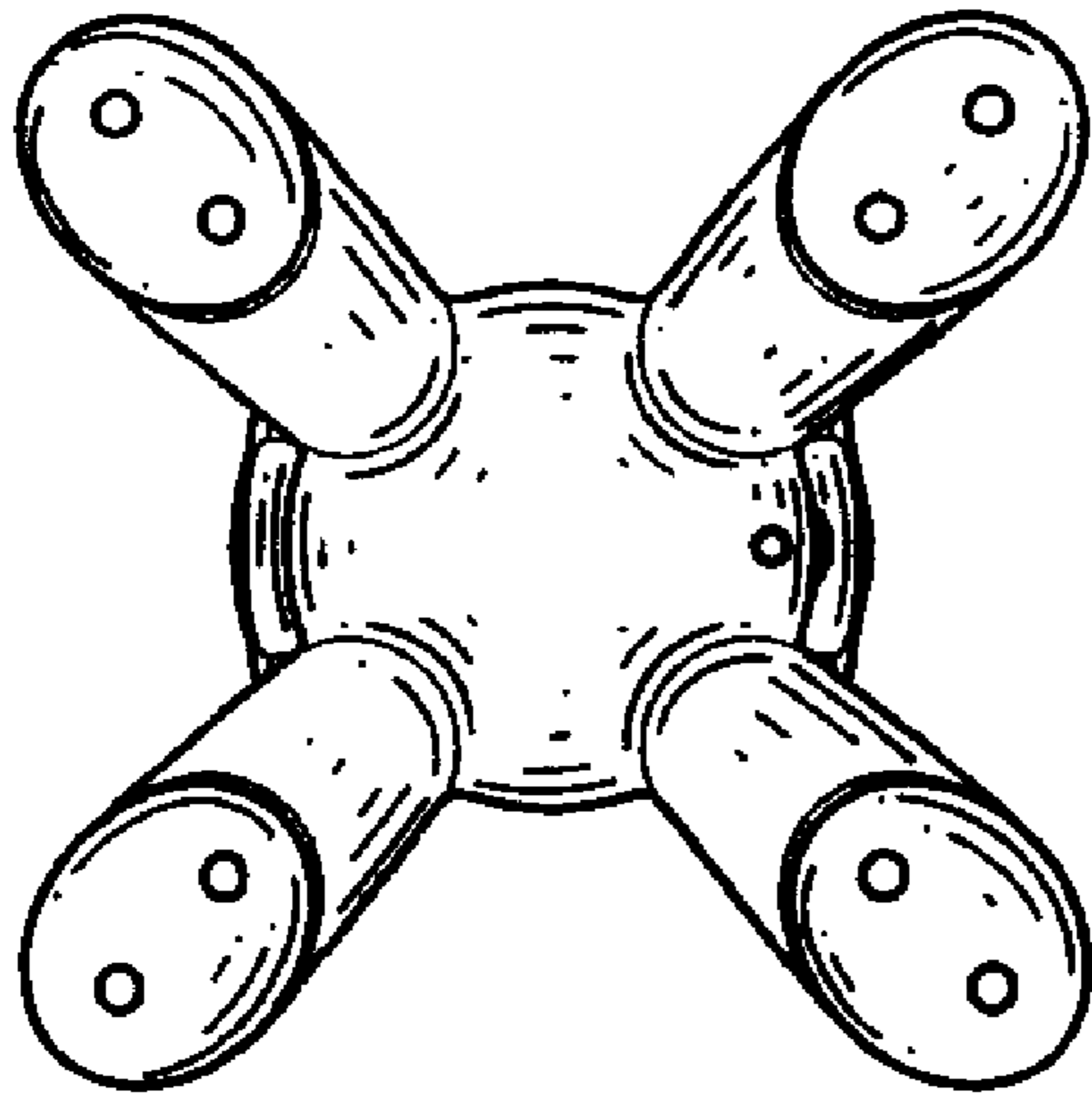


FIG. 5

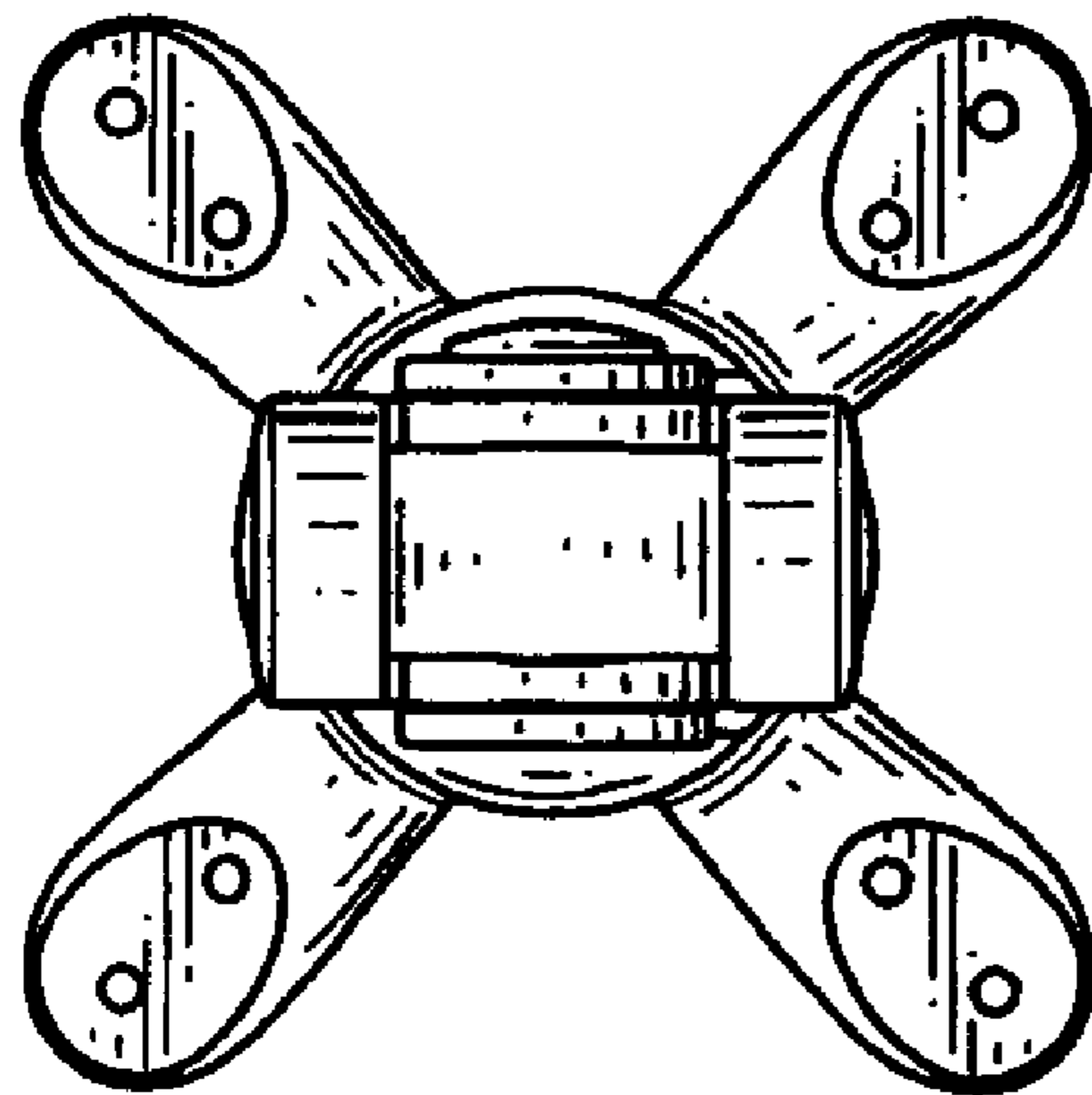


FIG. 4

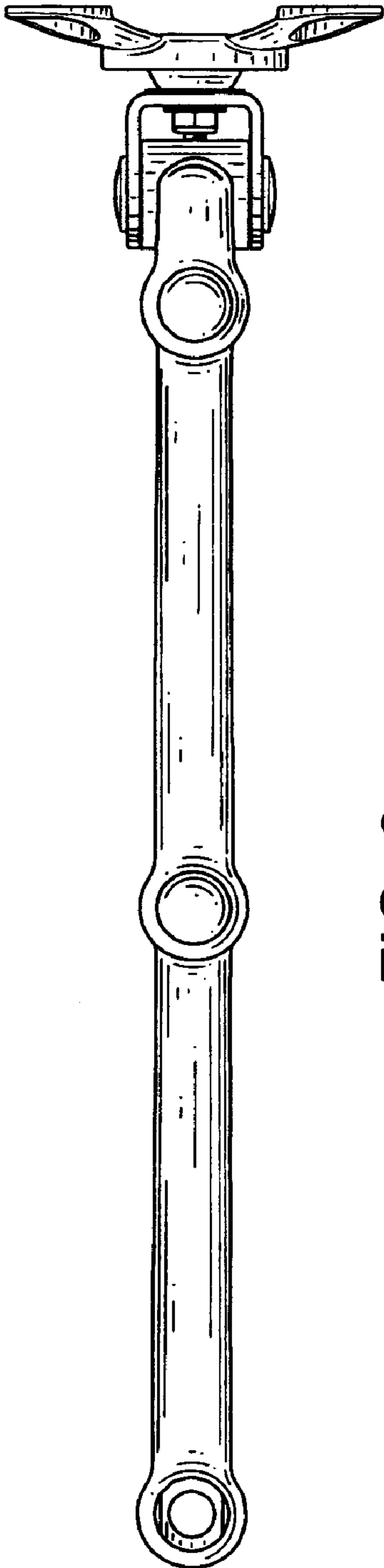


FIG. 6

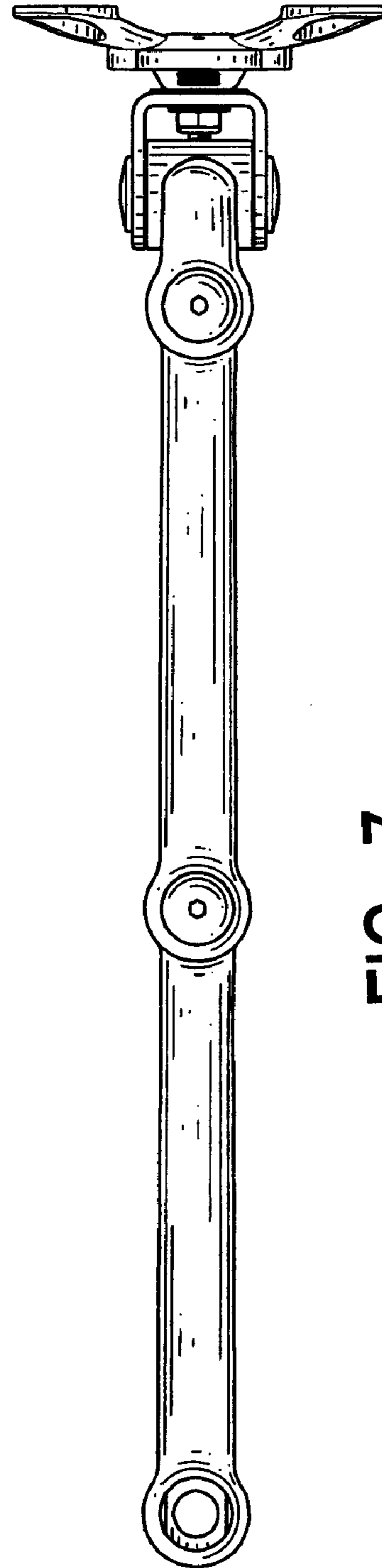


FIG. 7

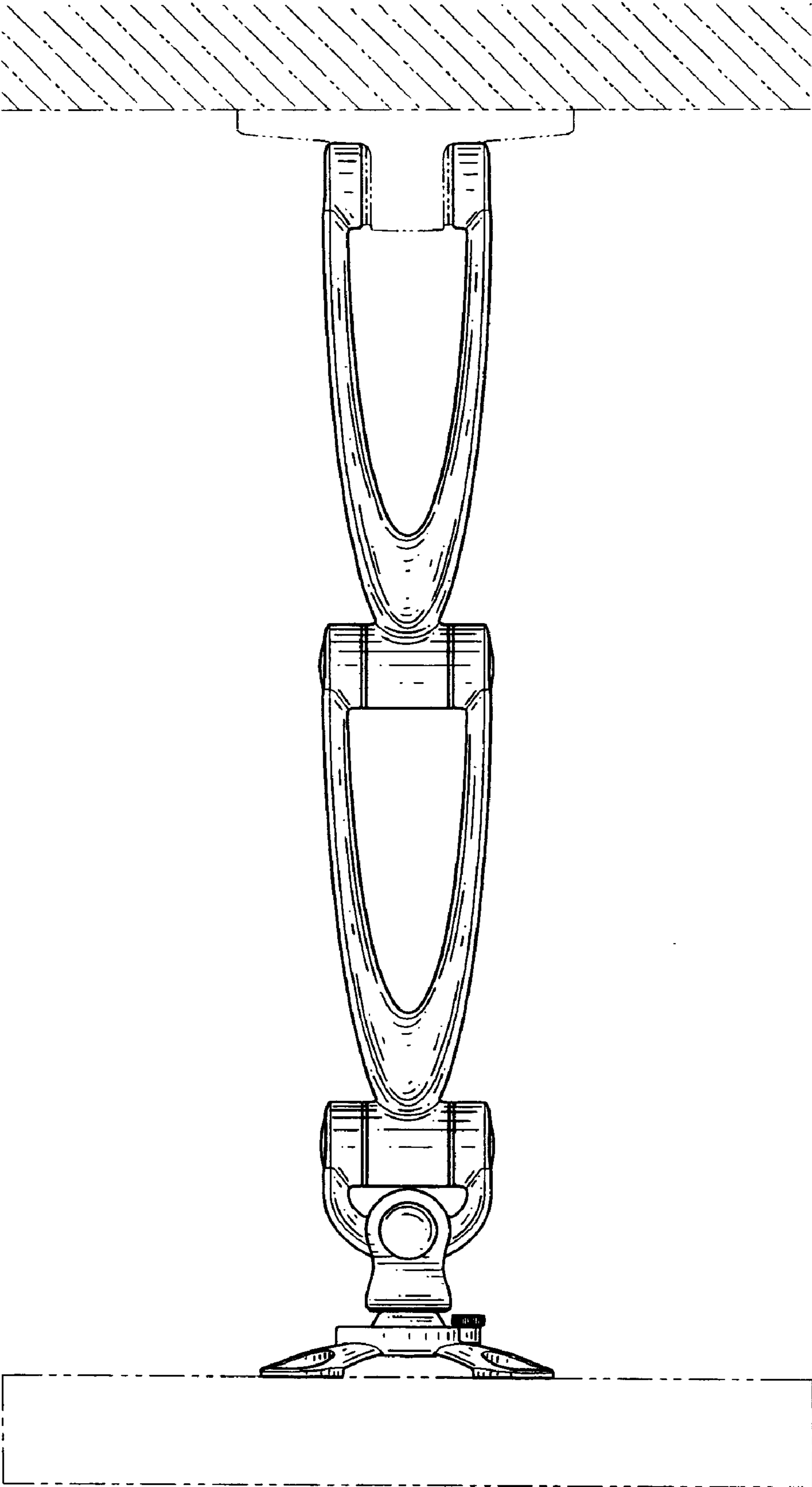


FIG. 8

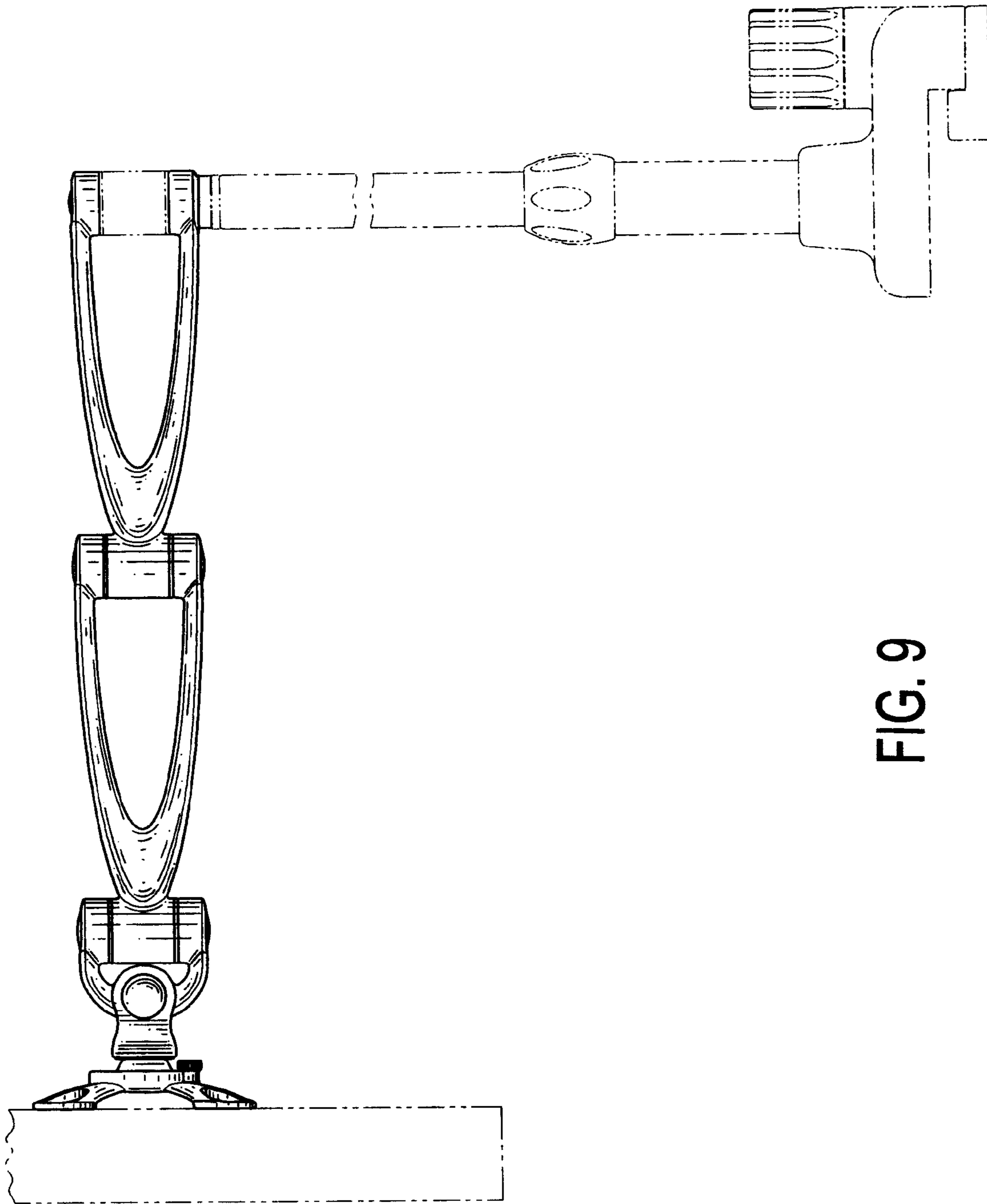


FIG. 9