



US00D529028S

(12) **United States Design Patent**  
**Twohig et al.**

(10) **Patent No.:** **US D529,028 S**

(45) **Date of Patent:** **\*\* Sep. 26, 2006**

(54) **RACING STRIPE ON MOUSE**

(75) Inventors: **Marcel Twohig**, County Dublin (IE);  
**Peter Sheehan**, Wicklow County (IE);  
**Charles Seiber**, Belmont, CA (US)

(73) Assignee: **Logitech Europe S.A.**, Romanel-sur  
Morges (CH)

(\*\*) Term: **14 Years**

(21) Appl. No.: **29/230,464**

(22) Filed: **May 20, 2005**

**Related U.S. Application Data**

(63) Continuation-in-part of application No. 29/227,487, filed on  
Apr. 11, 2005.

(51) **LOC (8) Cl.** ..... **14-02**

(52) **U.S. Cl.** ..... **D14/402; D14/403**

(58) **Field of Classification Search** ..... D14/401-411,  
D14/417, 454, 432-434, 240; 345/156-167;  
74/471 XY; 273/148 B; 200/5 R, 5 A, 6 R,  
200/6 A; 463/36-38; 382/165-166  
See application file for complete search history.

(56) **References Cited**

**U.S. PATENT DOCUMENTS**

D331,231 S \* 11/1992 Yang ..... D14/410  
D344,498 S \* 2/1994 Leman ..... D14/402  
D387,748 S \* 12/1997 Martella ..... D14/403

D418,501 S \* 1/2000 Neifer ..... D14/409  
D426,216 S \* 6/2000 Lee et al. .... D14/409  
D450,698 S \* 11/2001 Fisher et al. .... D14/402  
D460,071 S \* 7/2002 Sheehan et al. .... D14/402  
D473,870 S \* 4/2003 Fisher ..... D14/402  
D481,391 S \* 10/2003 Lee et al. .... D14/408  
D483,764 S \* 12/2003 Masamitsu et al. .... D14/407  
D487,745 S \* 3/2004 Morisawa ..... D14/408  
D491,949 S \* 6/2004 Su et al. .... D14/408  
D493,173 S \* 7/2004 Canavan et al. .... D14/408

\* cited by examiner

*Primary Examiner*—Pamela J. Burgess

(74) *Attorney, Agent, or Firm*—Townsend and Townsend  
and Crew LLP

(57) **CLAIM**

The ornamental design for racing stripe on mouse, as shown  
and described.

**DESCRIPTION**

FIG. 1 is a front perspective view of a racing stripe on mouse  
showing our new design;

FIG. 2 is a rear perspective view thereof;

FIG. 3 is a right elevational view thereof;

FIG. 4 is a left elevational view thereof;

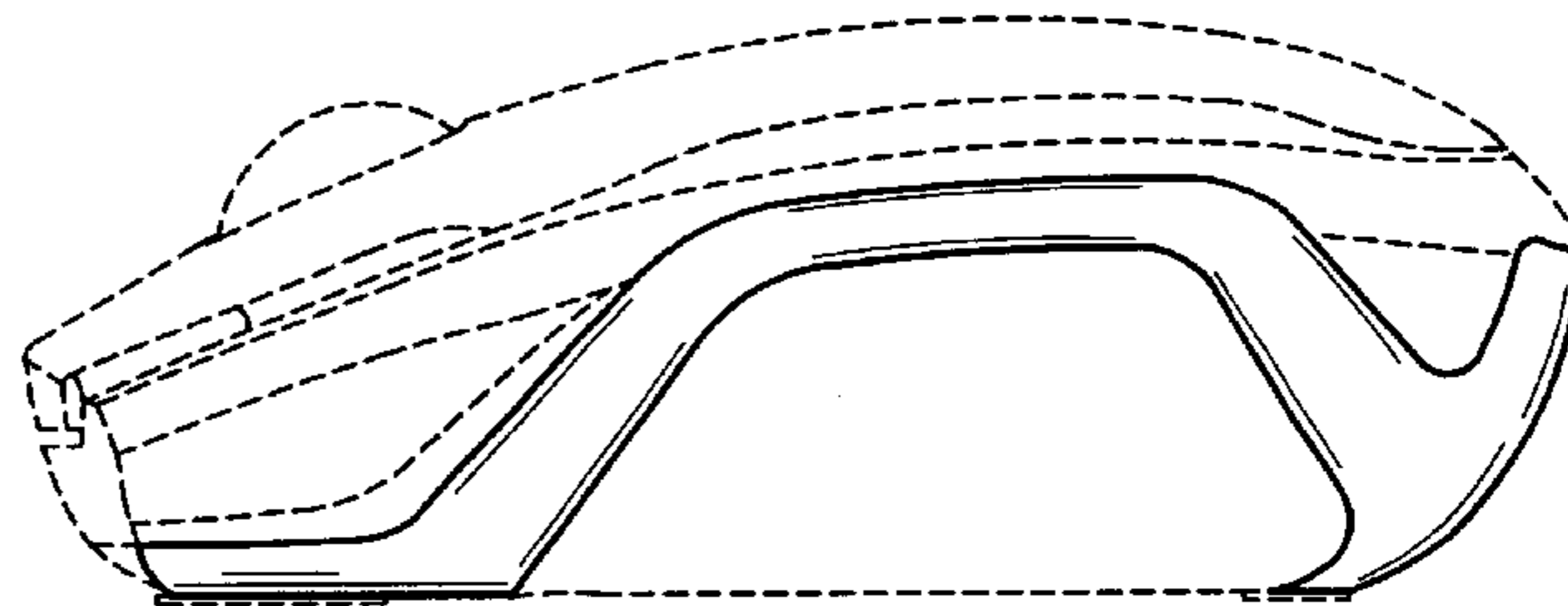
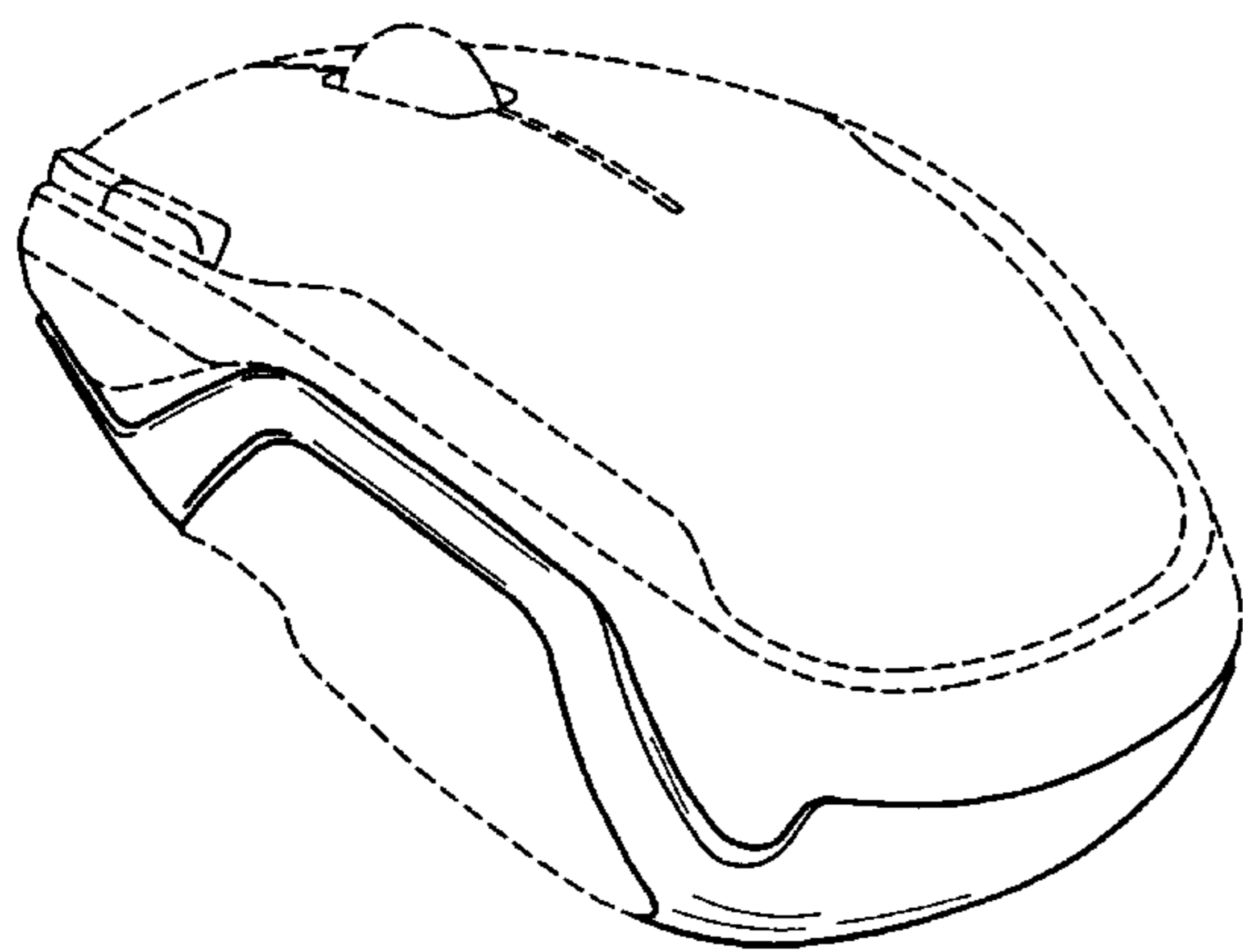
FIG. 5 is a front elevational view thereof;

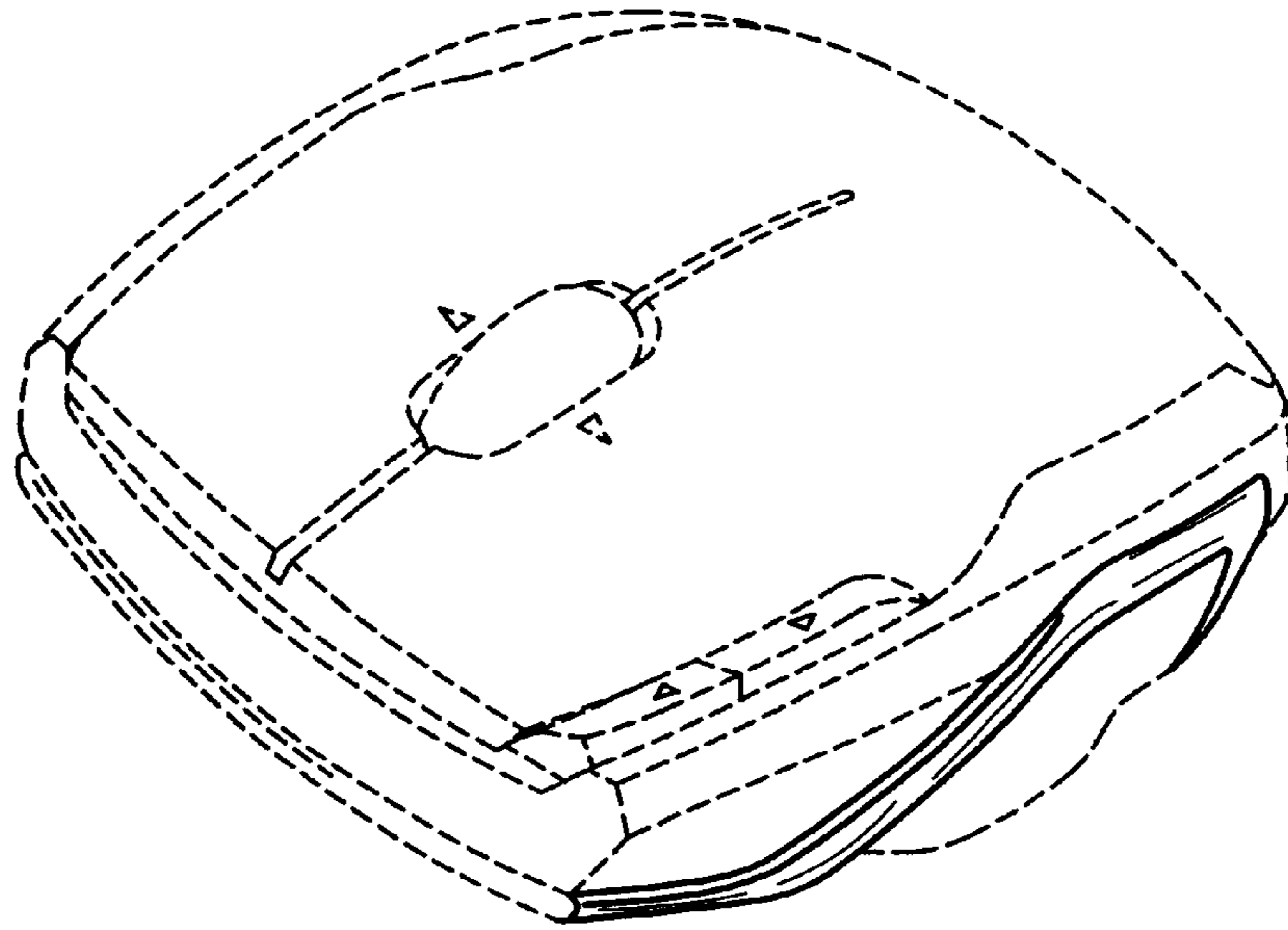
FIG. 6 is a rear elevational view thereof; and,

FIG. 7 is a top plan view thereof.

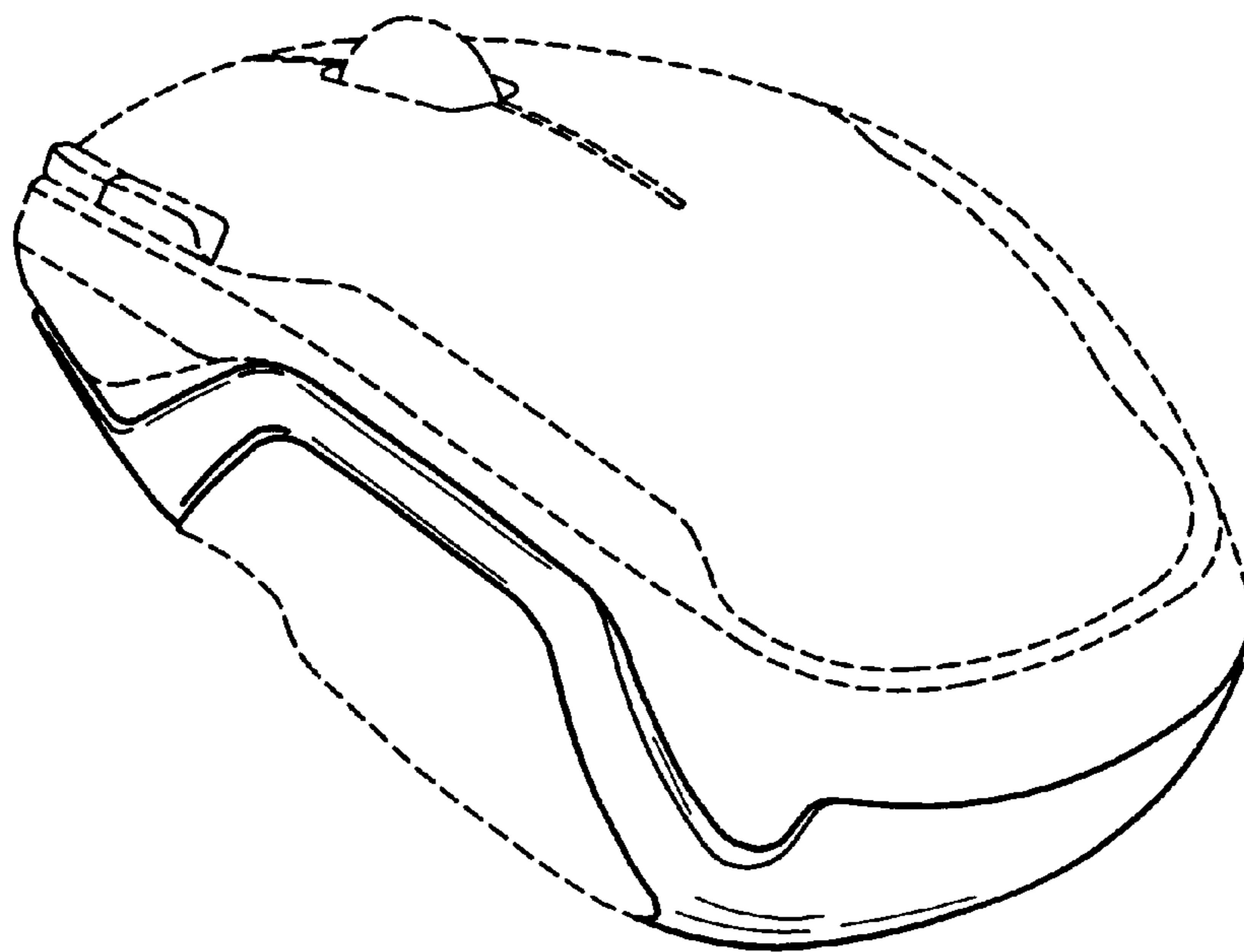
The broken lines shown in the drawings are for illustrative  
purposes only and form no part of the claimed design.

**1 Claim, 3 Drawing Sheets**

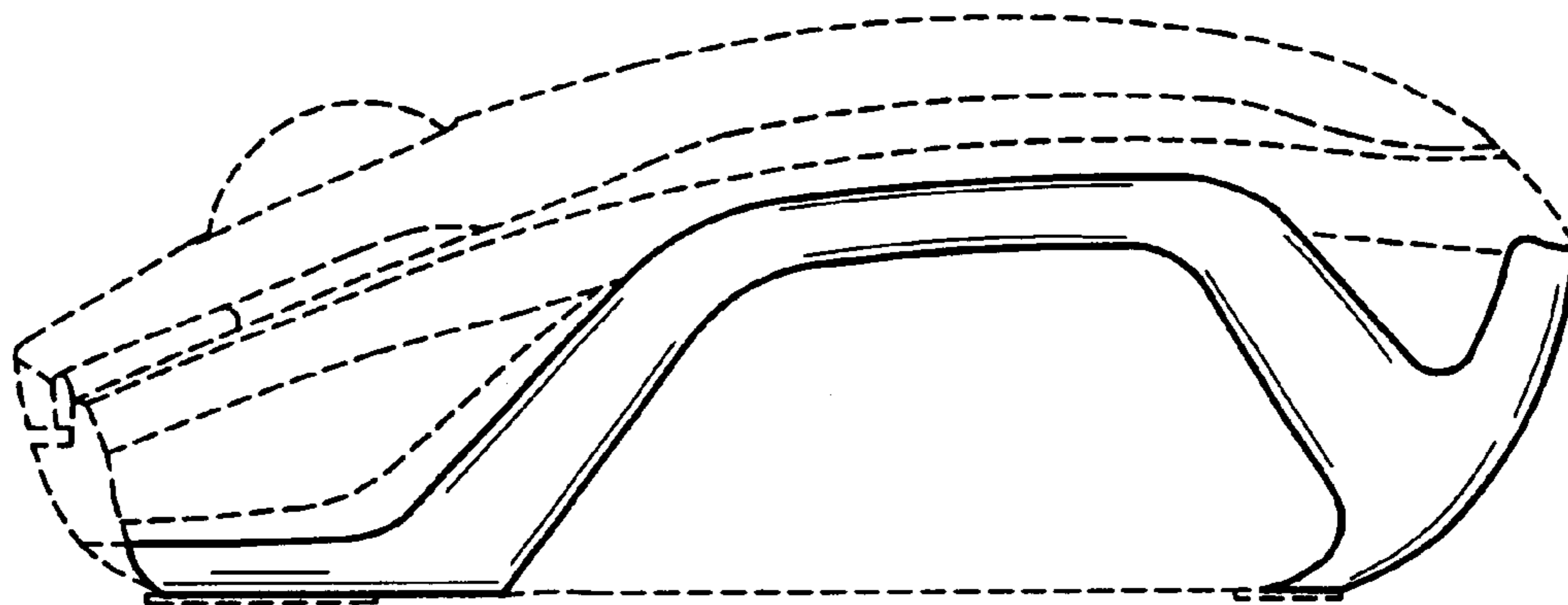




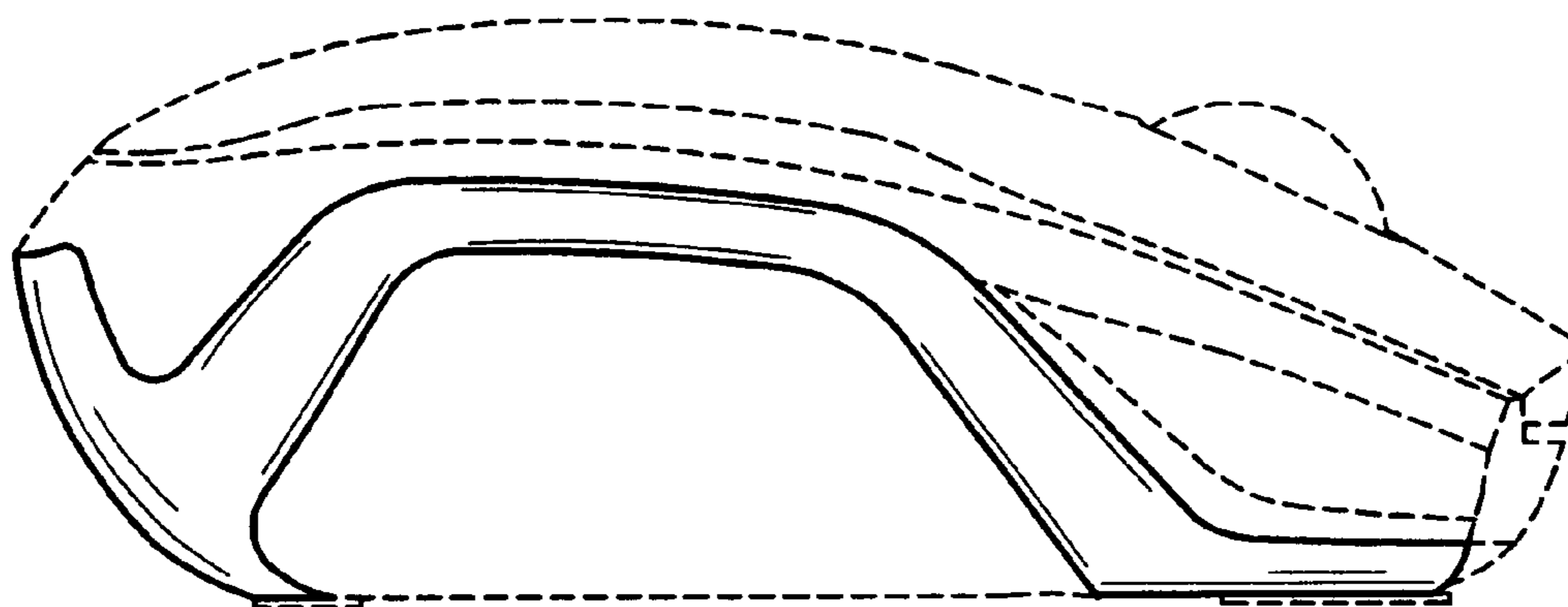
*FIG. 1*



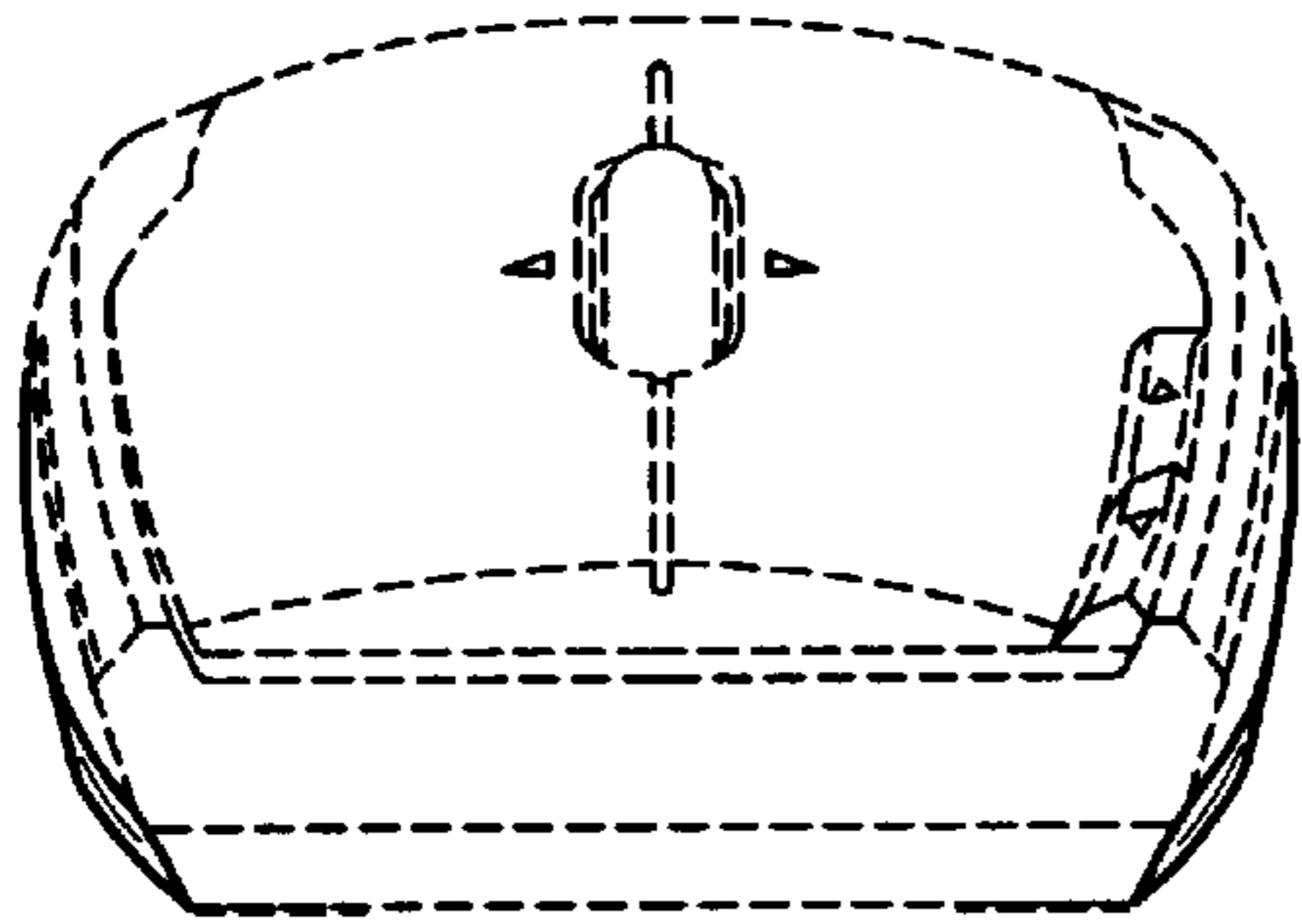
*FIG. 2*



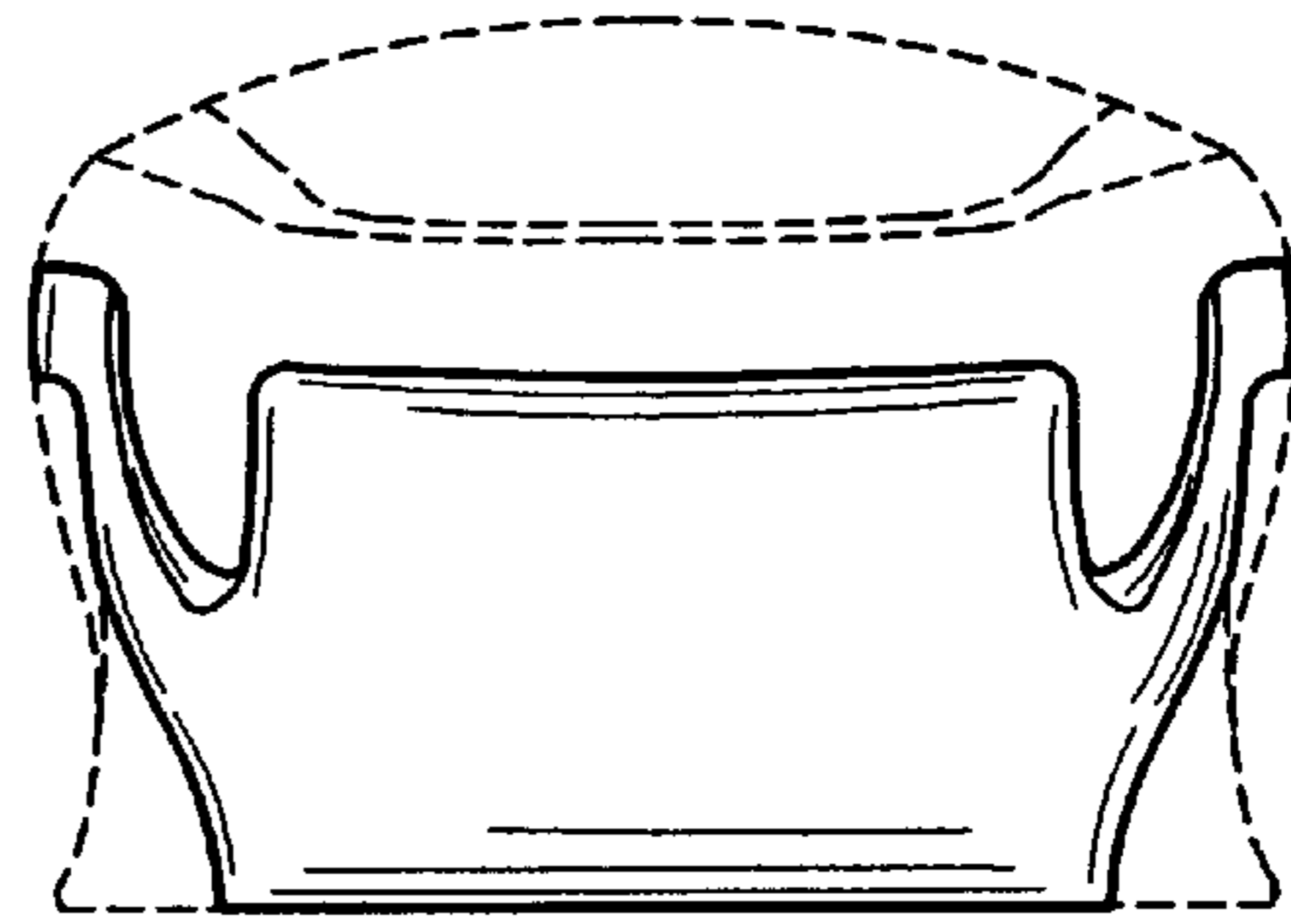
*FIG. 3*



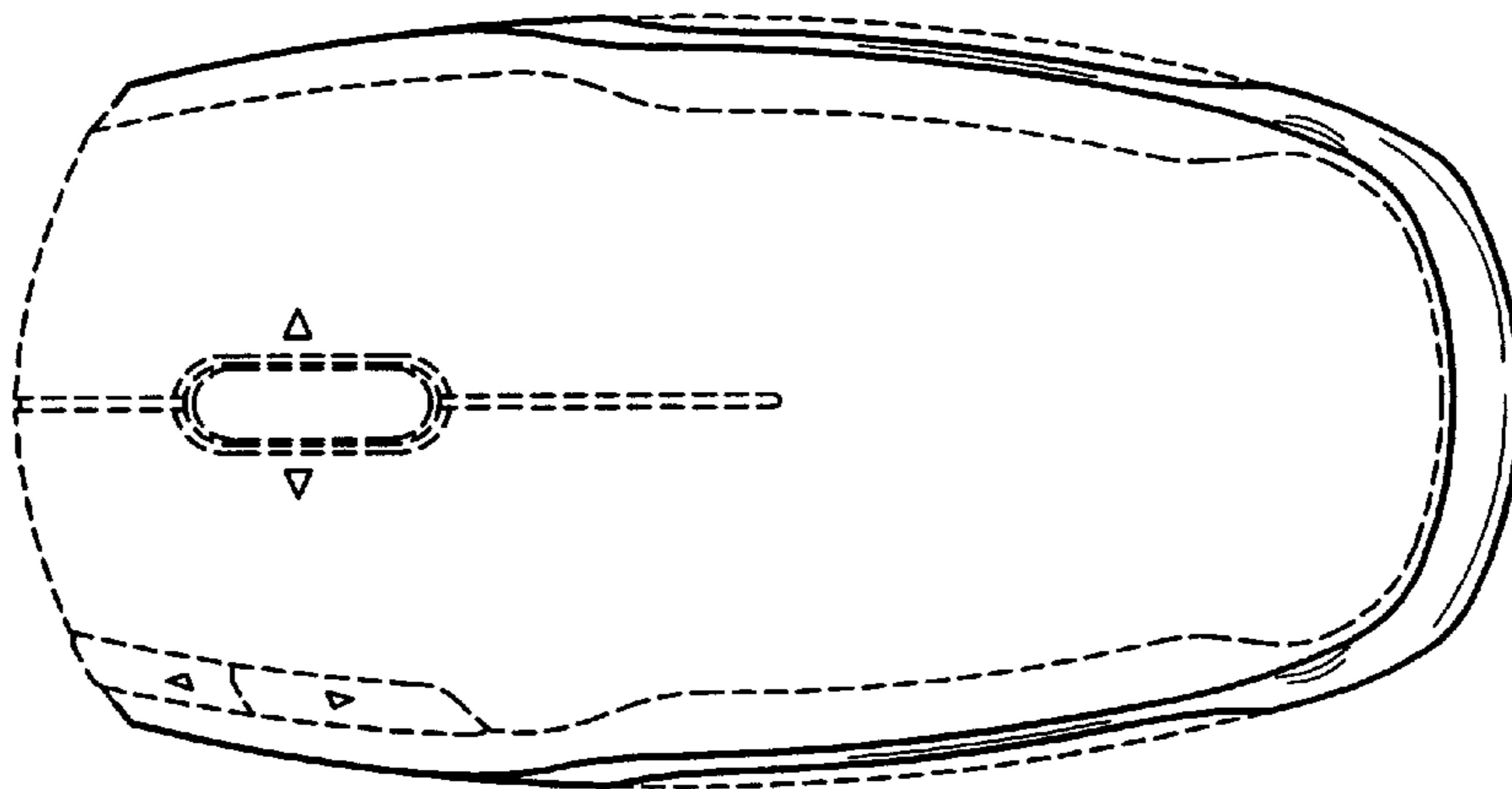
*FIG. 4*



*FIG. 5*



*FIG. 6*



*FIG. 7*