

US00D529023S

(12) **United States Design Patent** (10) **Patent No.:** **US D529,023 S**
Burns et al. (45) **Date of Patent:** **** Sep. 26, 2006**

(54) **KEY BUTTON AREA FOR A HANDSET**
(75) Inventors: **Duncan Burns**, Tarzana, CA (US);
Jamie Langford, Grapevine, TX (US);
Tanja Finkbeiner, Middlesex (GB)
(73) Assignee: **Nokia Corporation**, Espoo (FI)
(**) Term: **14 Years**
(21) Appl. No.: **29/226,638**
(22) Filed: **Mar. 31, 2005**

Related U.S. Application Data

(62) Division of application No. 29/192,299, filed on Oct. 23, 2003, now Pat. No. Des. 507,251.
(51) **LOC (8) Cl.** **14-03**
(52) **U.S. Cl.** **D14/247**
(58) **Field of Classification Search** D14/137,
D14/138, 147-148, 247-248, 144, 218, 341-347,
D14/455, 456; 379/433.01-433.13, 434;
455/575.1, 566, 556.1; D21/517, 329, 331;
345/169
See application file for complete search history.

References Cited

U.S. PATENT DOCUMENTS

D297,734 S 9/1988 Soren et al.
D297,735 S 9/1988 Soren et al.
D306,294 S 2/1990 Watanabe
D326,091 S 5/1992 Kikuchi
5,436,954 A 7/1995 Nishiyama et al.
D395,300 S 6/1998 Yamazaki et al.
D421,256 S 2/2000 Sato et al.
6,137,525 A 10/2000 Lee et al.
D451,485 S 12/2001 Moss
D460,058 S 7/2002 Suzuki et al.
D468,279 S 1/2003 Kim et al.
6,510,325 B1 1/2003 Mack et al.
D476,302 S 6/2003 Hwang et al.
D476,303 S 6/2003 Lee et al.
D478,056 S 8/2003 Koo et al.
D484,863 S 1/2004 Chan

D484,873 S * 1/2004 Salmi D14/247
D485,249 S 1/2004 Liao et al.
D485,818 S 1/2004 Yabe et al.
D487,443 S 3/2004 Yoon
D487,444 S 3/2004 Yoon
D489,060 S * 4/2004 Liao et al. D14/247
D490,073 S * 5/2004 Langford D14/247
D490,792 S 6/2004 Lee
D490,793 S 6/2004 Tsai et al.
D491,546 S 6/2004 Tien et al.
D491,547 S 6/2004 Cho
D491,907 S 6/2004 Ogawa
D492,275 S 6/2004 Lin et al.
D495,672 S 9/2004 Jeon et al.
D496,016 S 9/2004 Hoo
D496,020 S 9/2004 Lee
D497,604 S 10/2004 Lee
D498,735 S * 11/2004 Chen et al. D14/138
D499,088 S * 11/2004 Sheu D14/247
D500,758 S * 1/2005 Widiaman et al. D14/247

(Continued)

FOREIGN PATENT DOCUMENTS

JP 1155098 10/2002
WO DM/063714 7/2003
WO DM/064218 10/2003
WO DM/064560 10/2003
WO DM/066166 * 12/2004
WO DM/067109 * 9/2005

Primary Examiner—Jeffrey Asch

(74) *Attorney, Agent, or Firm*—Banner & Witcoff, Ltd.

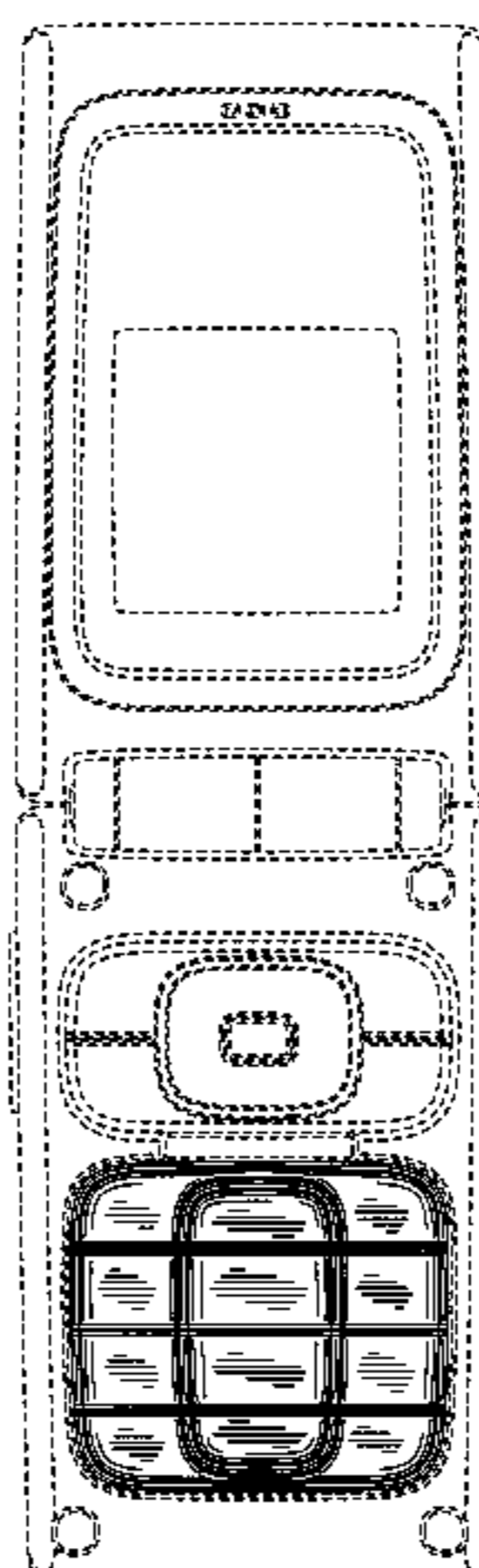
(57) **CLAIM**

The ornamental design for a key button area for a handset, as shown and described.

DESCRIPTION

FIG. 1 is a front view for a key button area for a handset showing our new design; and, FIG. 2 is a perspective view thereof. The broken line showing of the remainder of the handset is for illustrative purposes only and forms no part of the claimed design.

1 Claim, 2 Drawing Sheets



US D529,023 S

Page 2

U.S. PATENT DOCUMENTS

D504,406 S	*	4/2005	Cho et al.	D14/138	D512,040 S	*	11/2005	Kim et al.	D14/138
D505,934 S	*	6/2005	Gonser	D14/138	D512,395 S	*	12/2005	Kim et al.	D14/138
D507,251 S	*	7/2005	Burns et al.	D14/138	2002/0137478 A1		9/2002	Masamura	
D507,562 S	*	7/2005	Kim	D14/247	2003/0125079 A1		7/2003	Park et al.	
D507,563 S	*	7/2005	Moss	D14/247	2003/0199290 A1		10/2003	Viertola	
D508,035 S	*	8/2005	Kim et al.	D14/138	2004/0142721 A1		7/2004	Kim	
D508,475 S	*	8/2005	Wu et al.	D14/138	2004/0203535 A1	*	10/2004	Kim et al.	455/90.3
D508,902 S	*	8/2005	Lee et al.	D14/138	2005/0003852 A1	*	1/2005	Song	455/550.1
D511,771 S	*	11/2005	Burns et al.	D14/247					

* cited by examiner

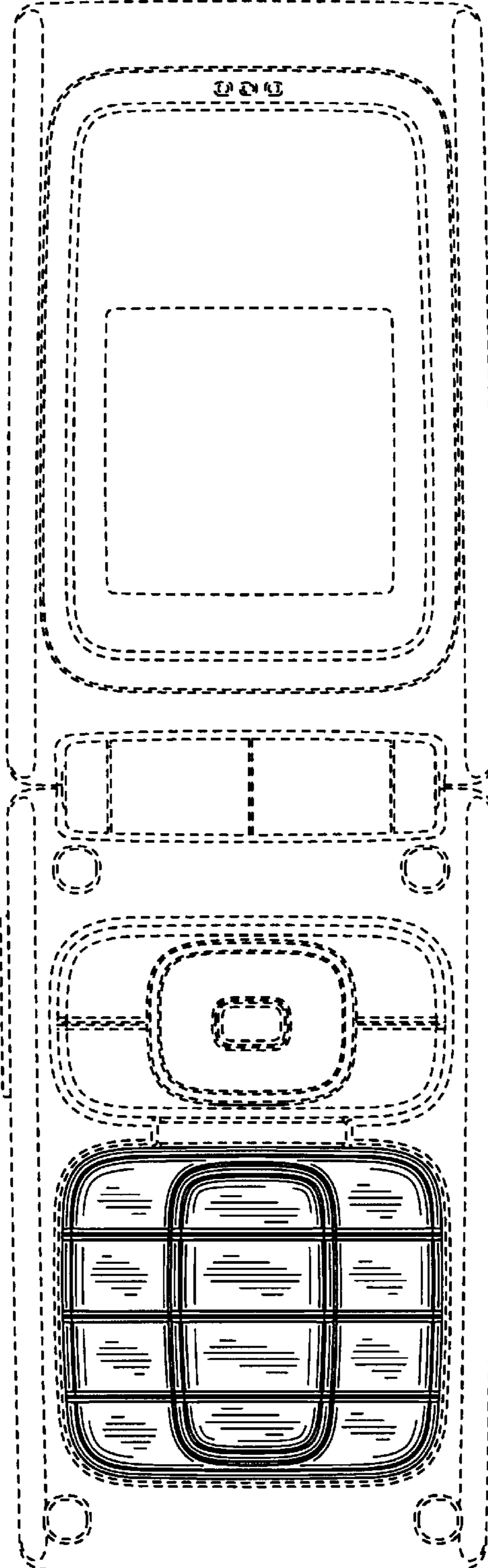


FIG. 1

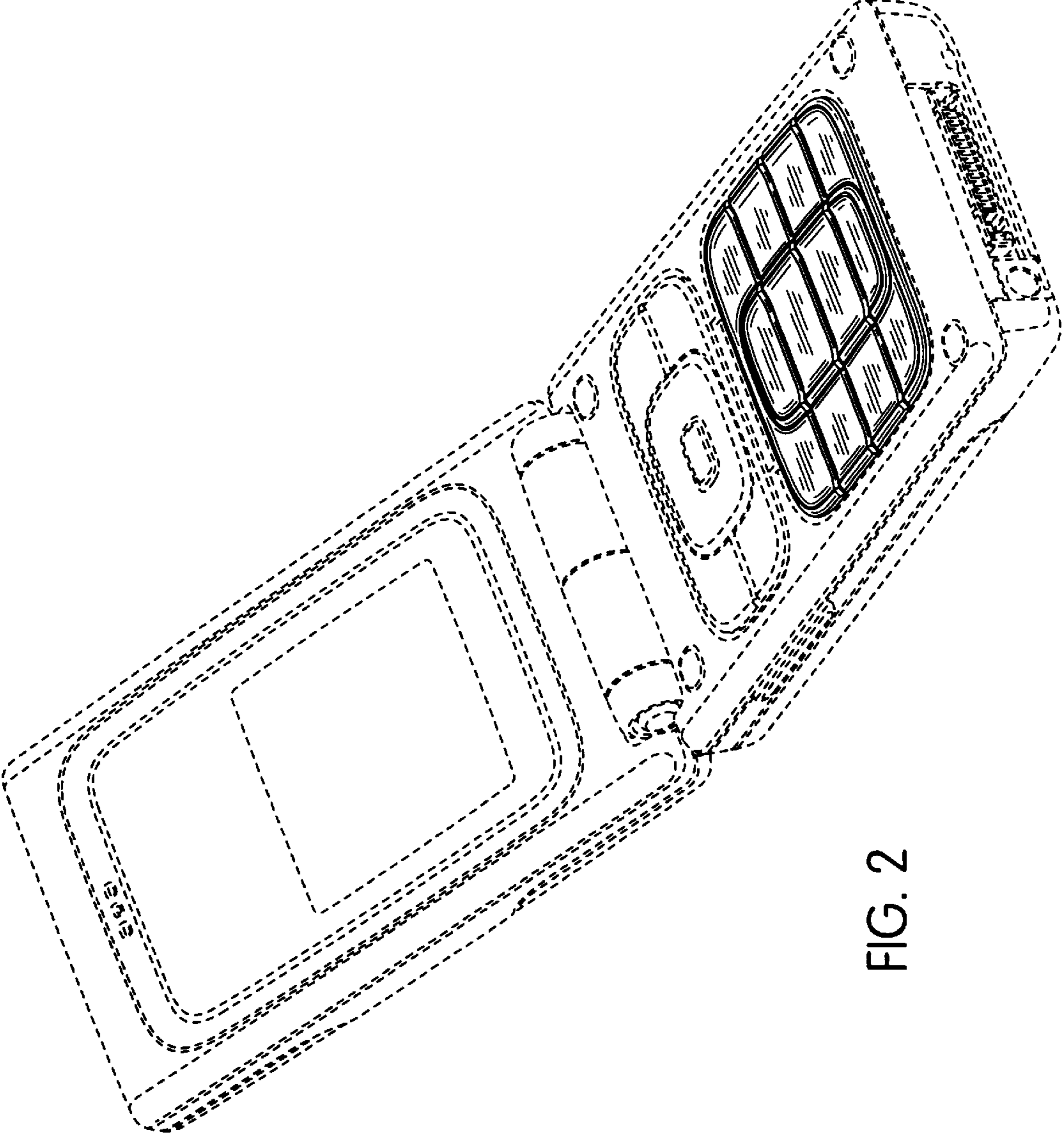


FIG. 2