

US00D529021S

(12) **United States Design Patent**
Jensen et al.

(10) **Patent No.:** **US D529,021 S**
(45) **Date of Patent:** **** Sep. 26, 2006**

(54) **WIRELESS HEADSET**
(75) Inventors: **Timothy Jacob Jensen**, Hojslev (DK);
Jonas Gaarde, Hojslev (DK); **Johan Lindgren**, Lund (SE)

6,760,458 B1 * 7/2004 Bogeskov-Jensen et al. 381/370
D494,570 S * 8/2004 Ma D14/223
D498,750 S * 11/2004 Ma D14/223
D512,991 S * 12/2005 Yano D14/223

(73) Assignee: **GN Netcom A/S** (DK)
(**) Term: **14 Years**

* cited by examiner

Primary Examiner—Paula A. Greene
(74) *Attorney, Agent, or Firm*—Altera Law Group, LLC

(21) Appl. No.: **29/234,048**
(22) Filed: **Jul. 12, 2005**

(57) **CLAIM**

The ornamental design for a wireless headset, as shown and described.

(30) **Foreign Application Priority Data**

Jan. 14, 2005 (EM) 000280144

DESCRIPTION

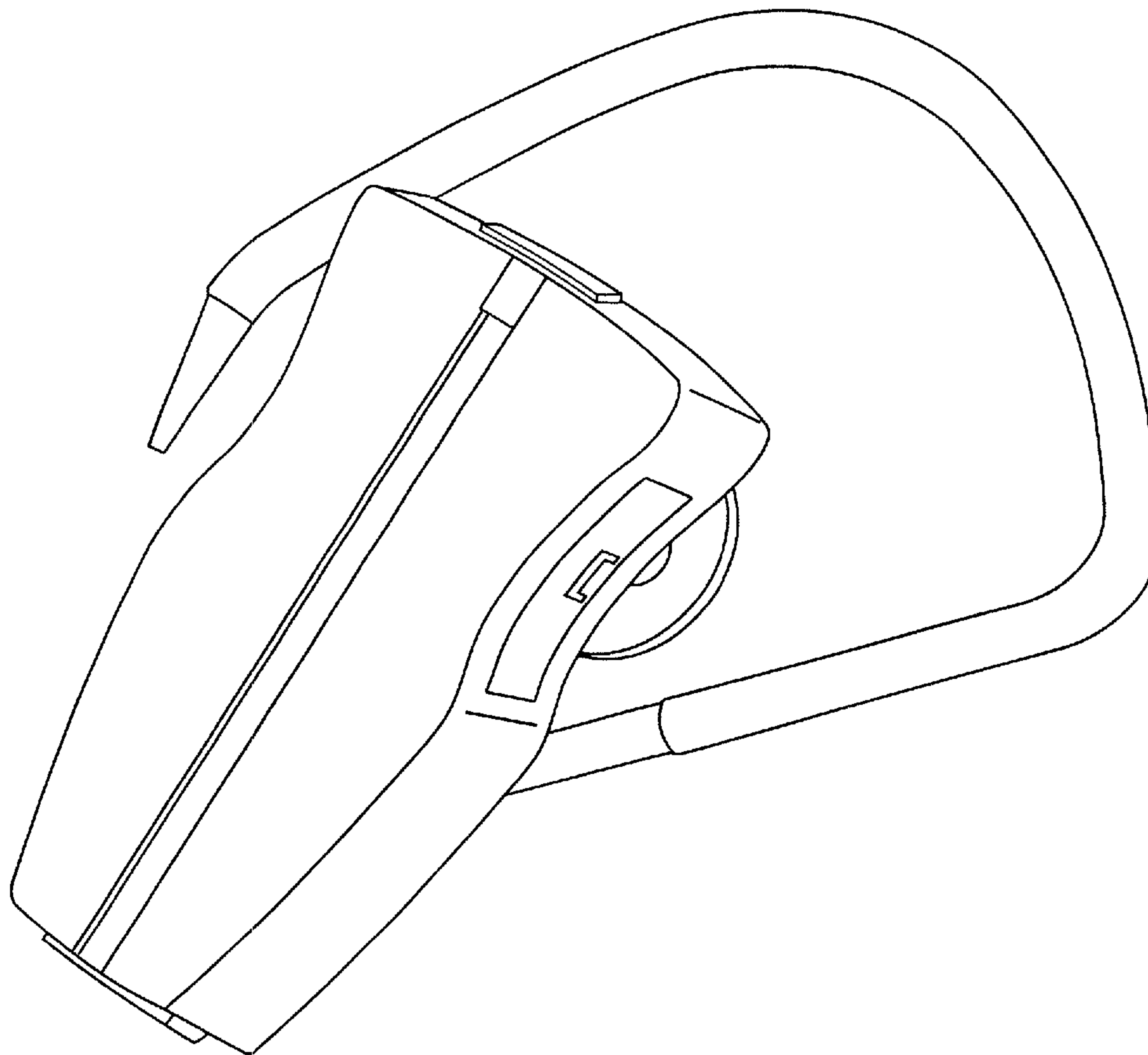
(51) **LOC (8) Cl.** **14-01**
(52) **U.S. Cl.** **D14/223**
(58) **Field of Classification Search** D14/188,
D14/192, 205, 206, 223; D24/174; 379/430,
379/446; 381/381, 370; 181/129–130
See application file for complete search history.

FIG. 1 is a side elevational view of a wireless headset showing our new design;
FIG. 2 is an opposite side elevational view thereof;
FIG. 3 is a bottom plan view thereof;
FIG. 4 is a top plan view thereof; and,
FIG. 5 is a perspective view thereof.

(56) **References Cited**
U.S. PATENT DOCUMENTS

D471,889 S * 3/2003 Rath et al. D14/205

1 Claim, 3 Drawing Sheets



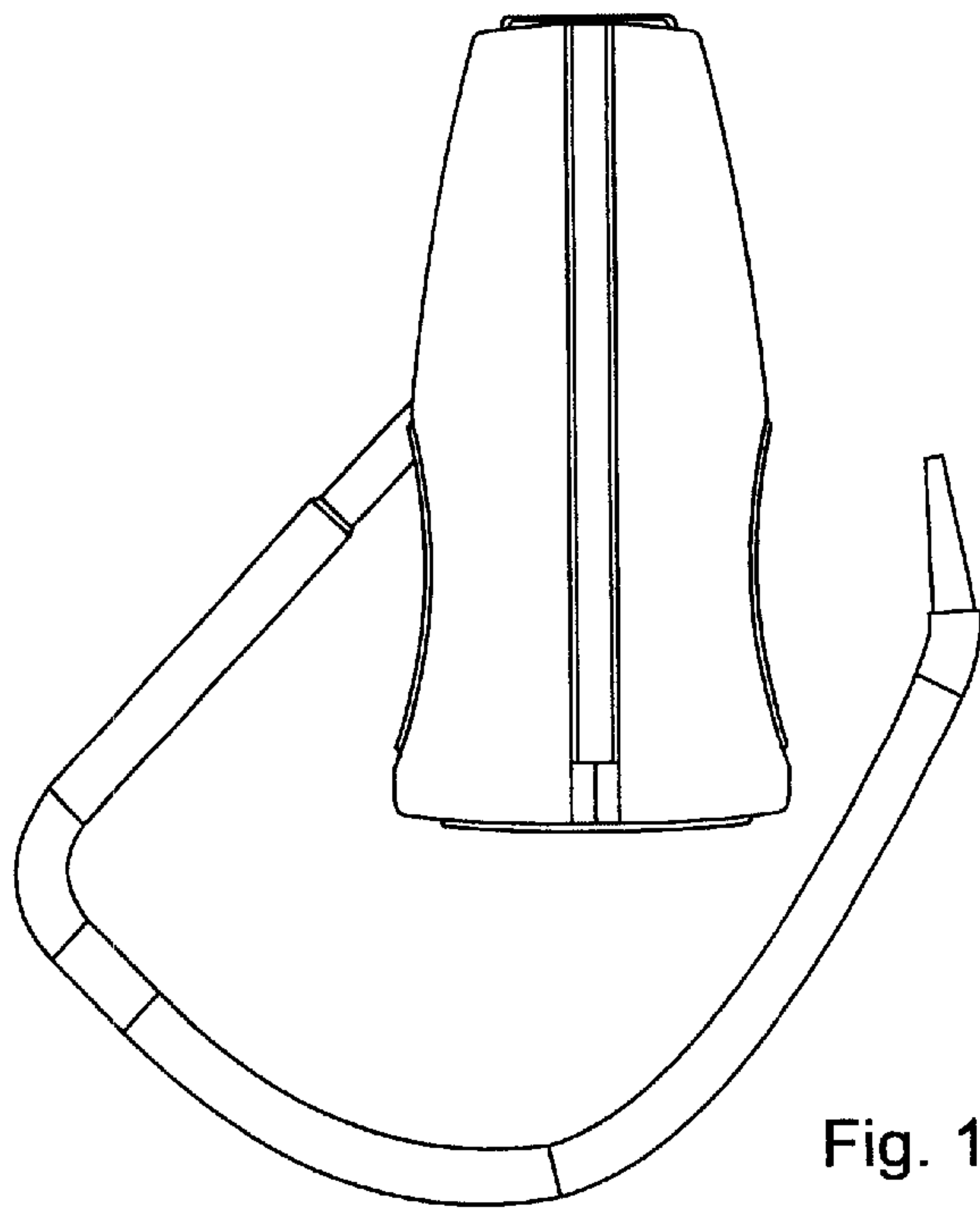


Fig. 1

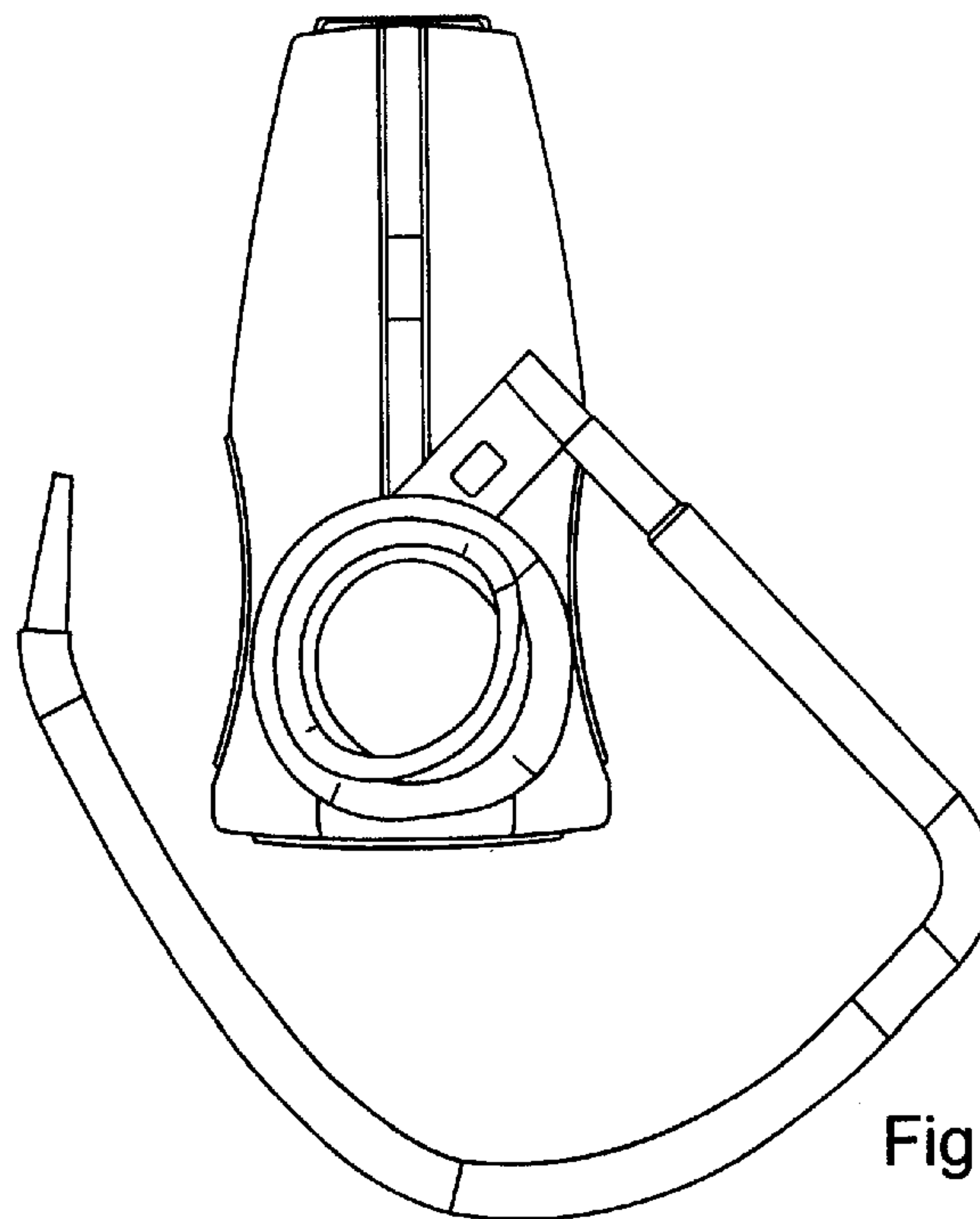


Fig. 2

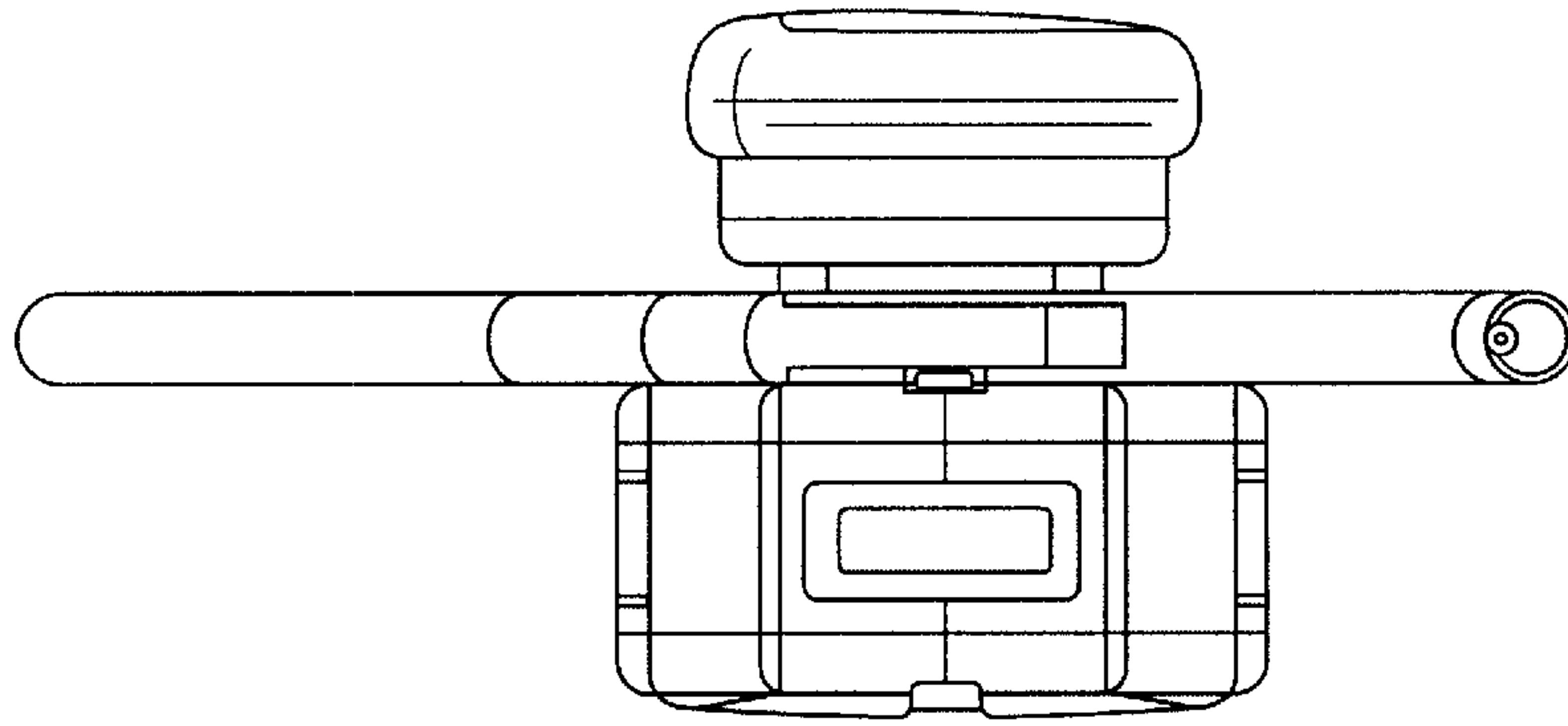


Fig. 3

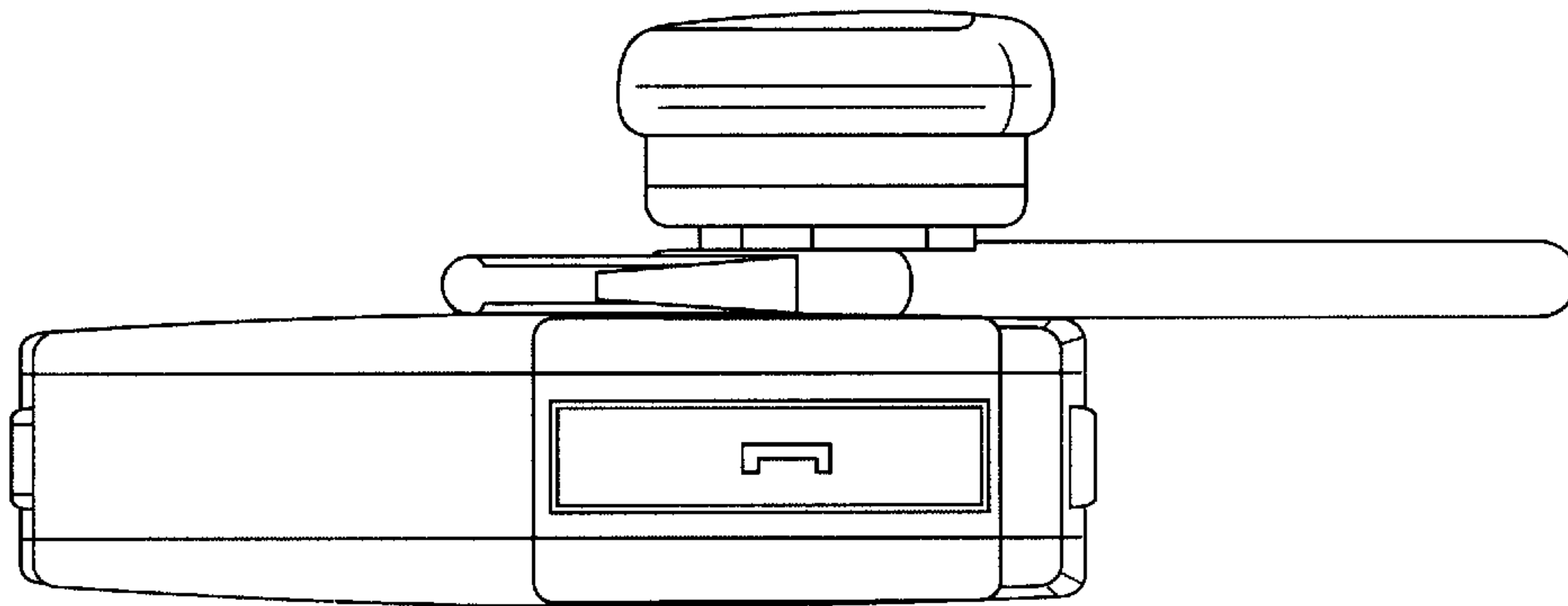


Fig. 4

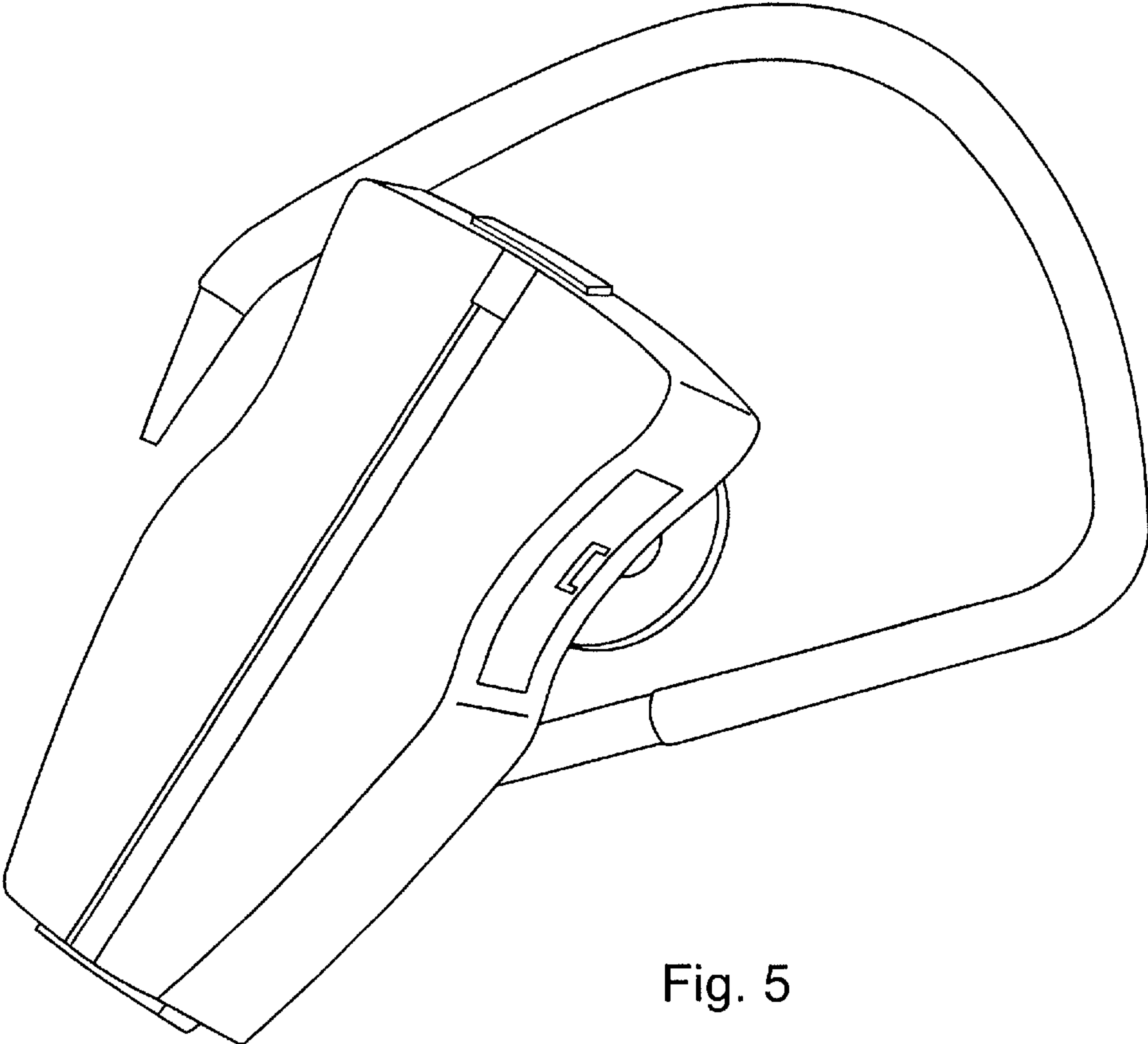


Fig. 5