



US00D529019S

(12) **United States Design Patent**
Lim

(10) **Patent No.:** **US D529,019 S**

(45) **Date of Patent:** **** Sep. 26, 2006**

(54) **HOME THEATER**

D315,736 S * 3/1991 Takagi D14/172
D488,797 S * 4/2004 Hioki D14/168

(75) Inventor: **Hyun-Teak Lim**, Seoul (KR)

* cited by examiner

(73) Assignee: **Samsung Electronics Co., Ltd.**, Suwon (KR)

Primary Examiner—Nanda Bondade
(74) *Attorney, Agent, or Firm*—Flynn, Thiel, Boutell & Tanis, P.C.

(**) Term: **14 Years**

(21) Appl. No.: **29/228,028**

(57) **CLAIM**

(22) Filed: **Apr. 19, 2005**

The ornamental design for a home theater, as shown and described.

(51) **LOC (8) Cl.** **14-01**

(52) **U.S. Cl.** **D14/172; D14/214**

(58) **Field of Classification Search** D14/160–165,
D14/167–168, 192–198, 204, 210–214, 172,
D14/445; 360/99.02, 99.07; 181/144, 148,
181/152, 155, 157, 198; 381/306, 333, 345,
381/361–364; 720/612, 619, 647, 655; 455/344,
455/347–351

DESCRIPTION

See application file for complete search history.

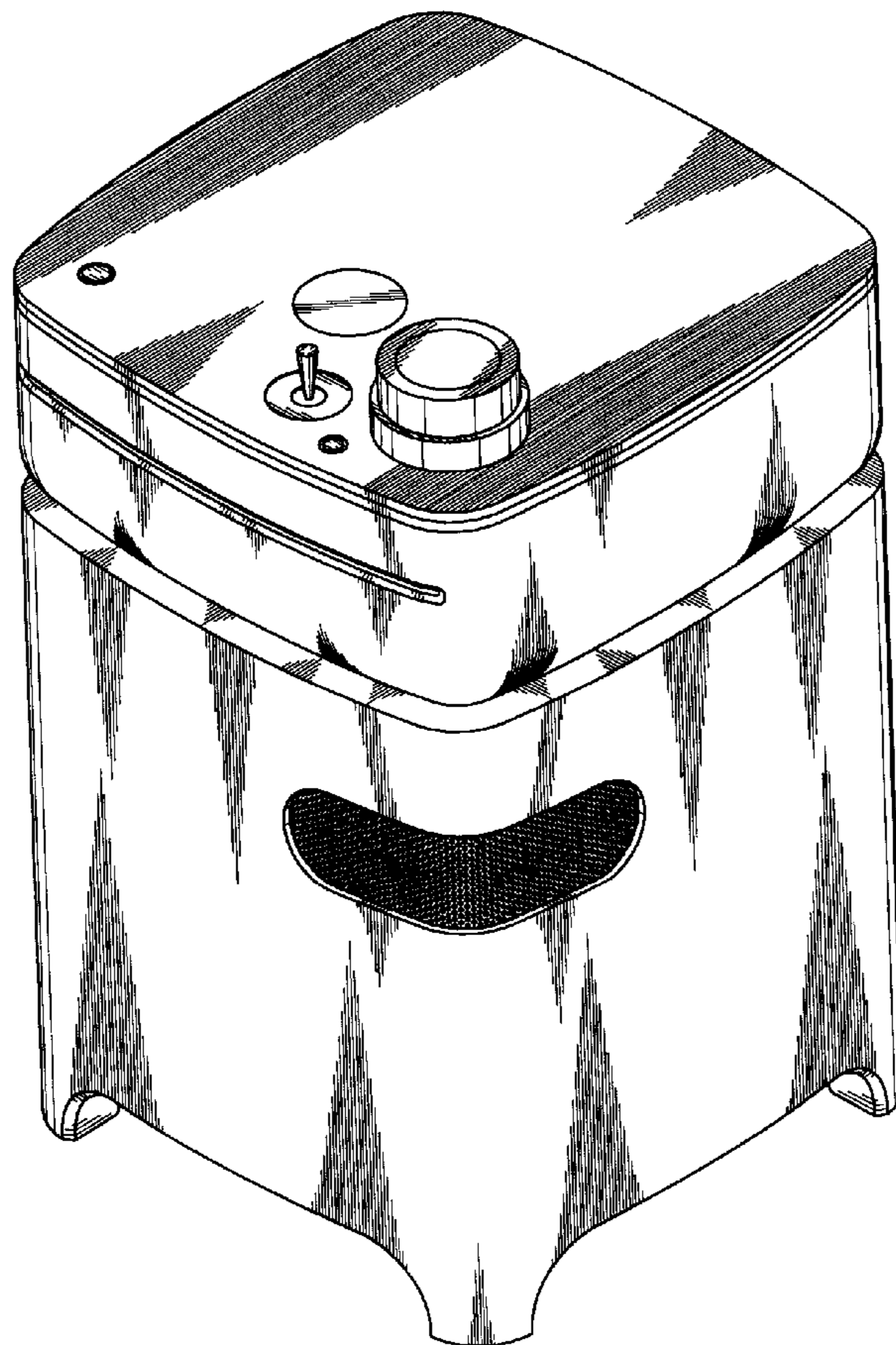
FIG. 1 is a top front perspective view of a home theater showing my new design;
FIG. 2. is a front elevational view thereof.
FIG. 3. is a rear elevational view thereof.
FIG. 4. is a left side elevational view thereof.
FIG. 5. is a right side elevational view thereof.
FIG. 6 is a top plan view thereof; and,
FIG. 7. is a bottom plan view thereof.

(56) **References Cited**

U.S. PATENT DOCUMENTS

D310,525 S * 9/1990 Camens D14/162

1 Claim, 6 Drawing Sheets



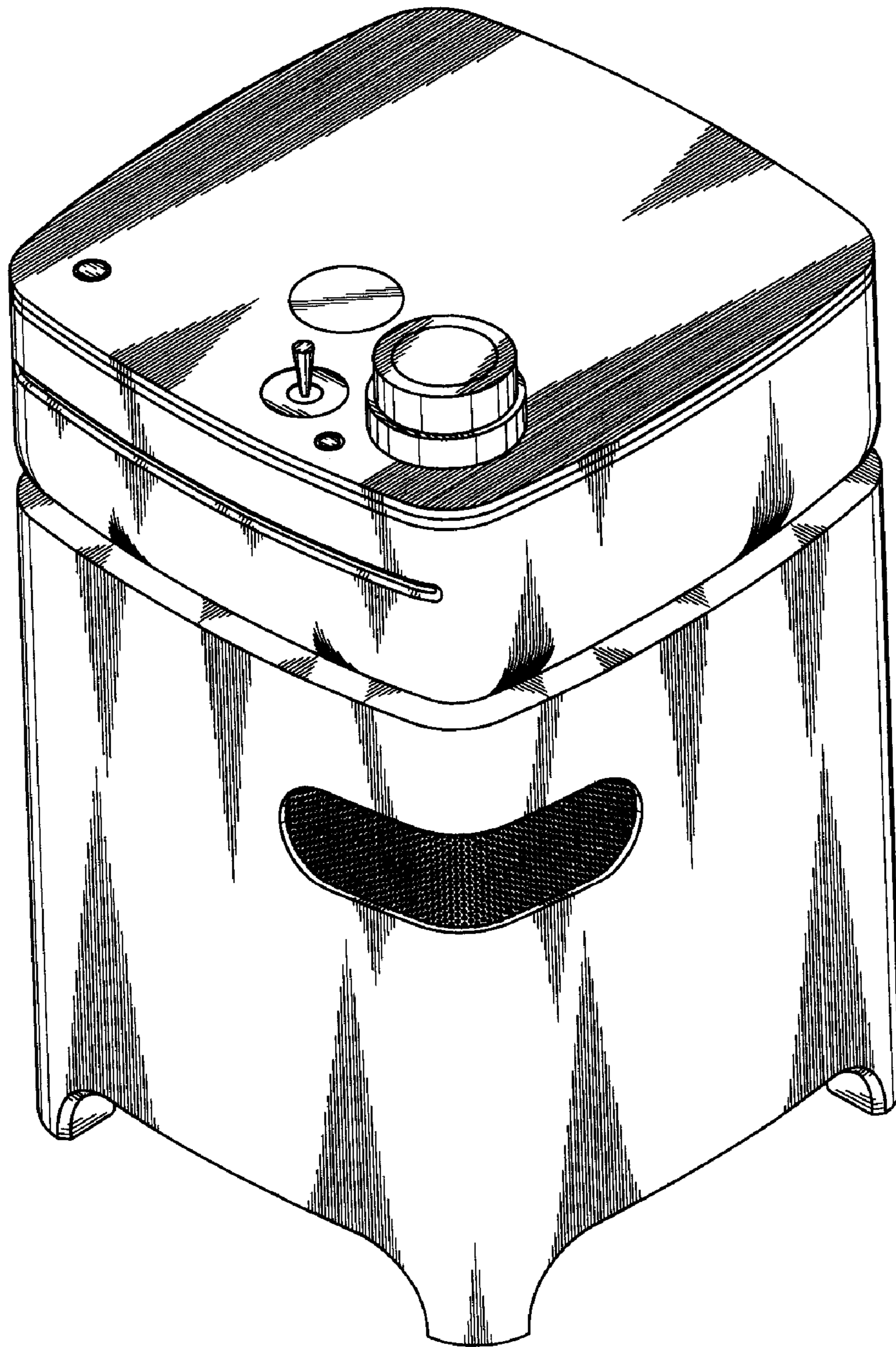


FIG. 1

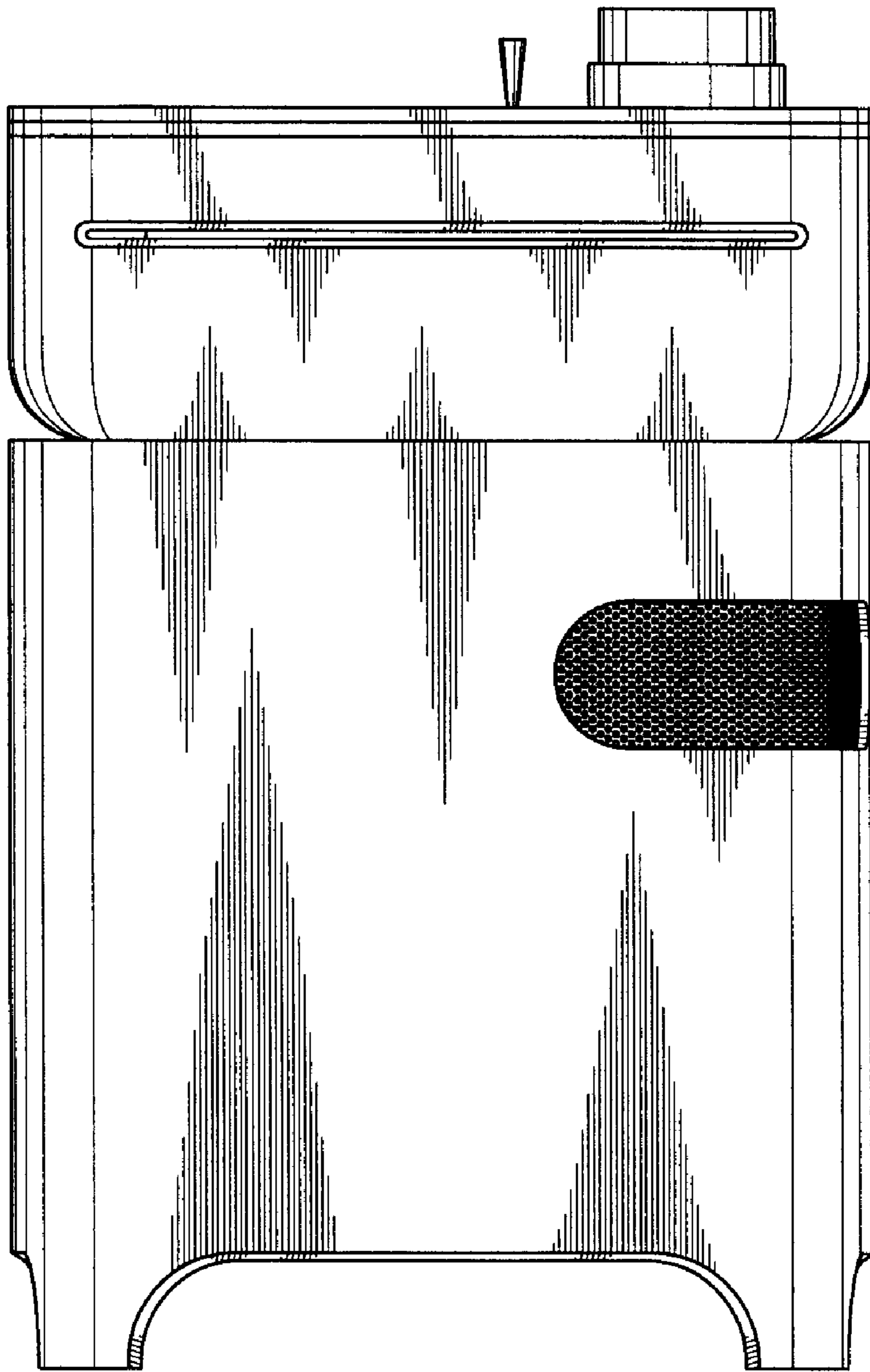


FIG. 2

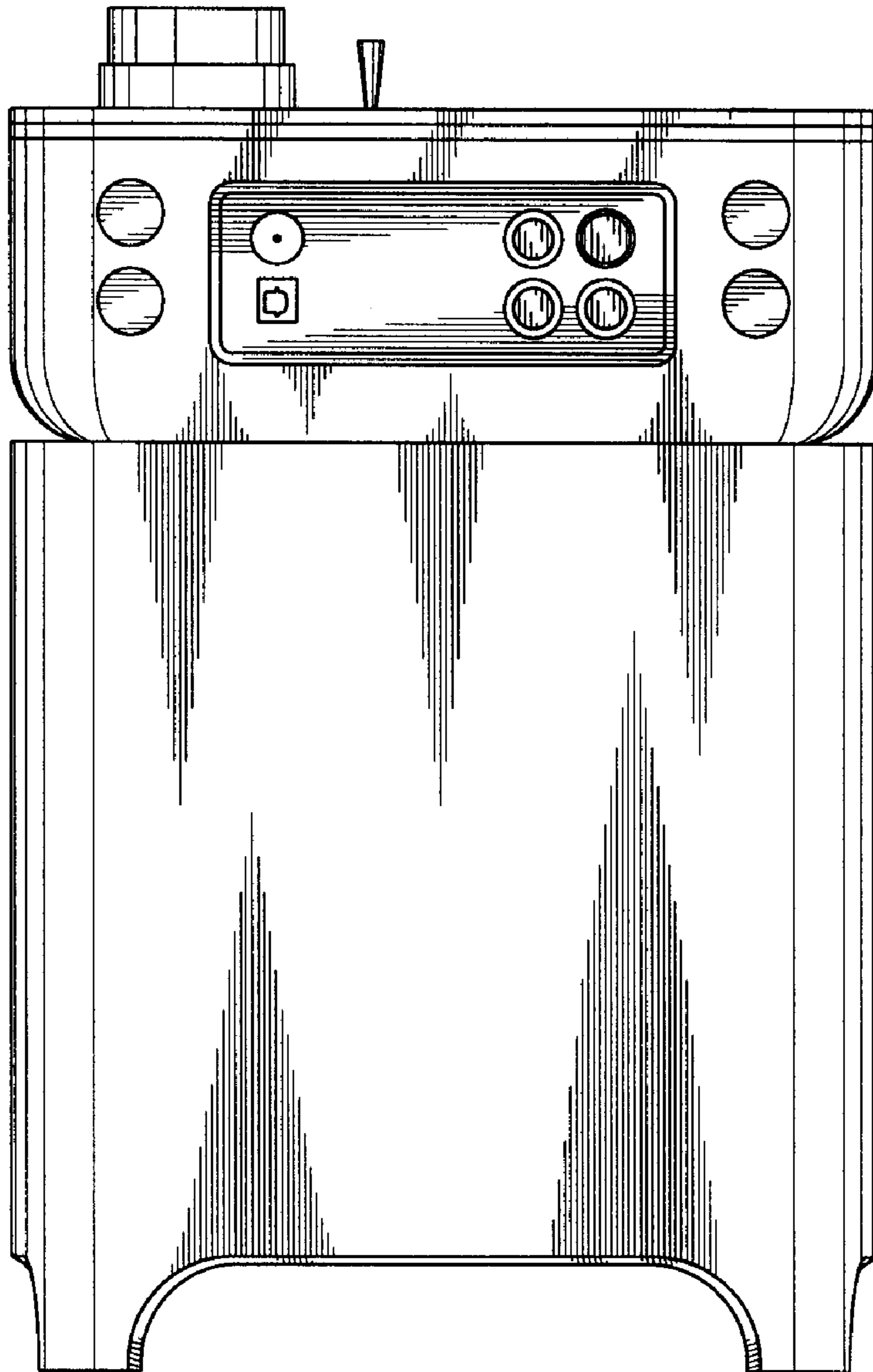


FIG.3

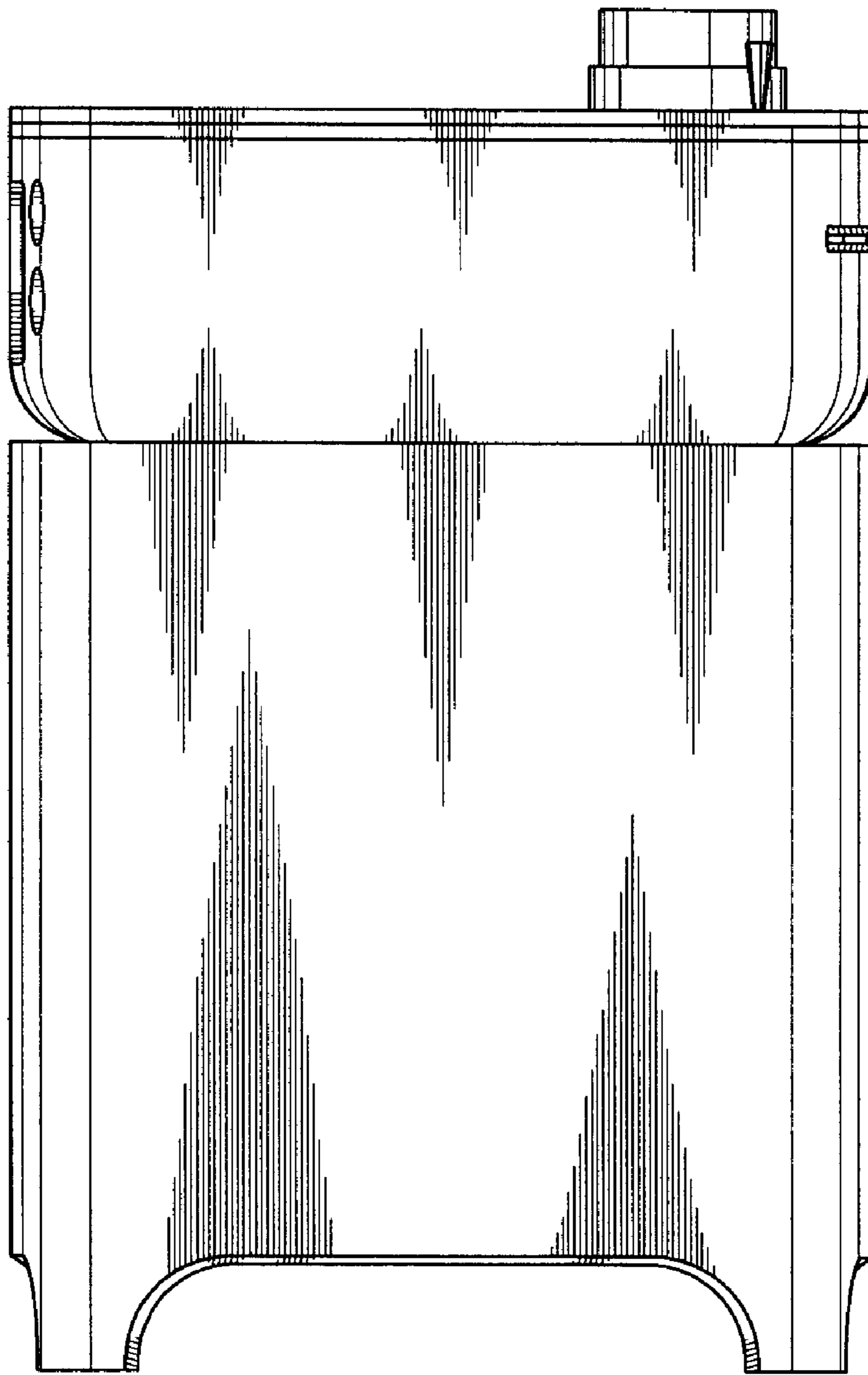


FIG. 4

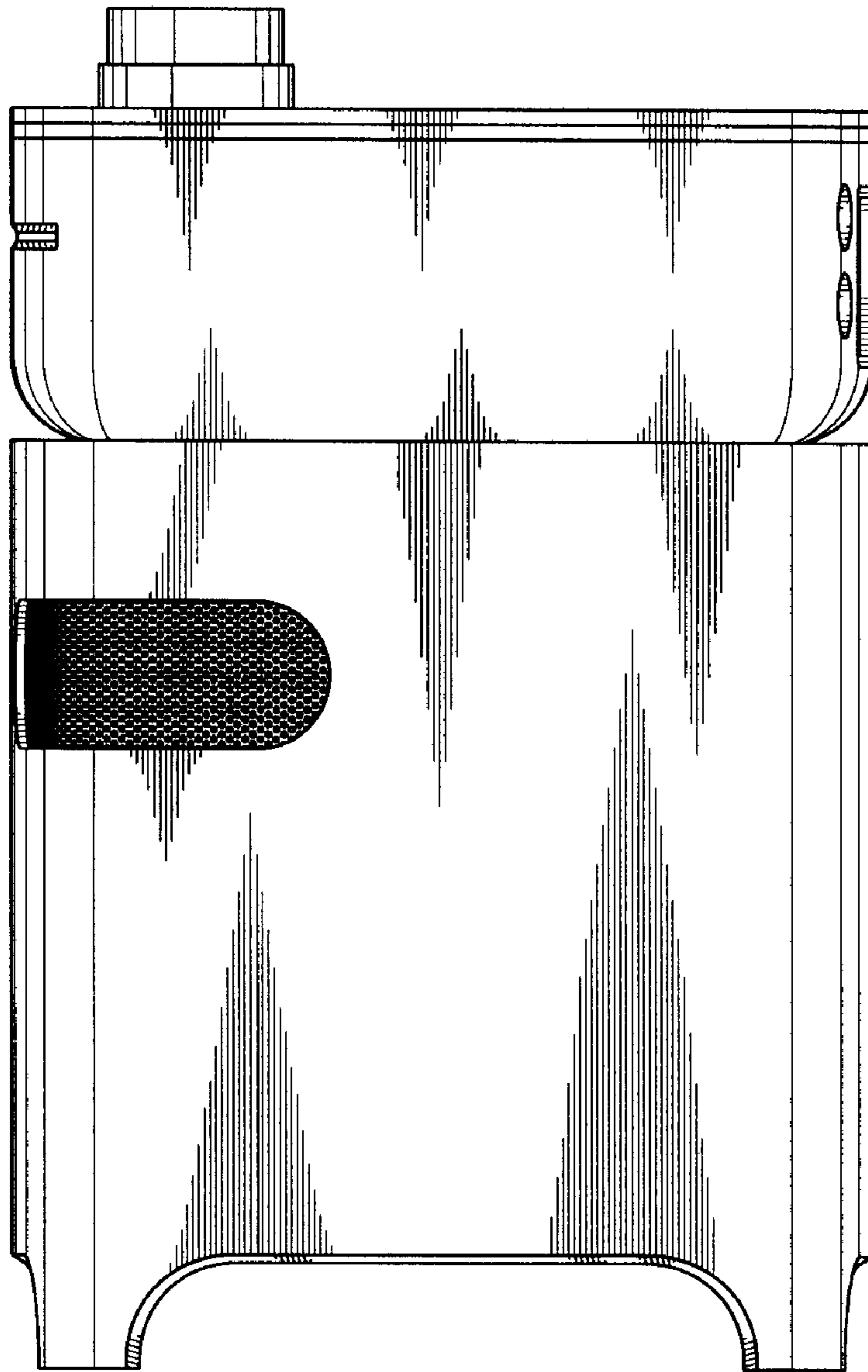


FIG. 5

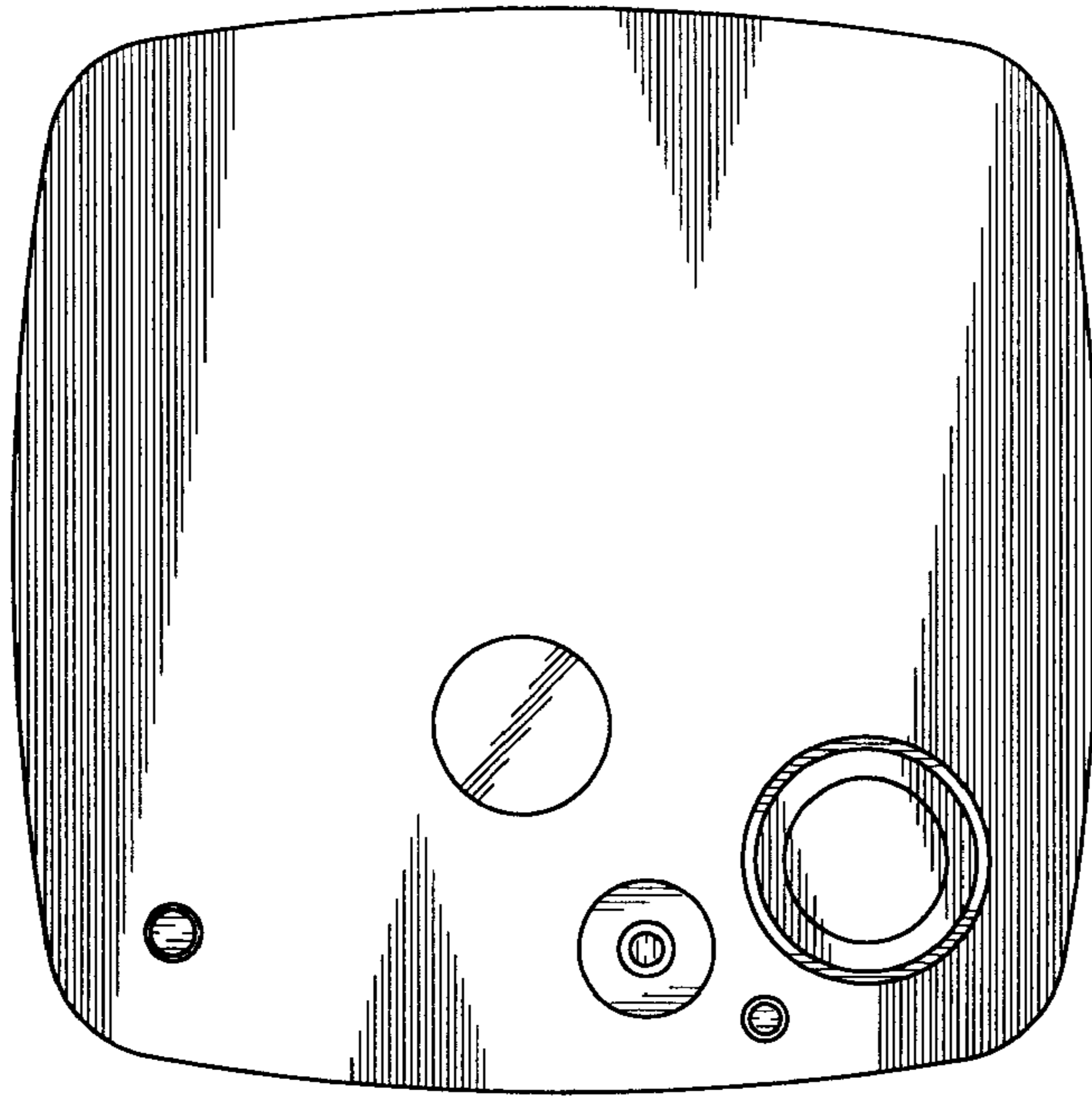


FIG. 6

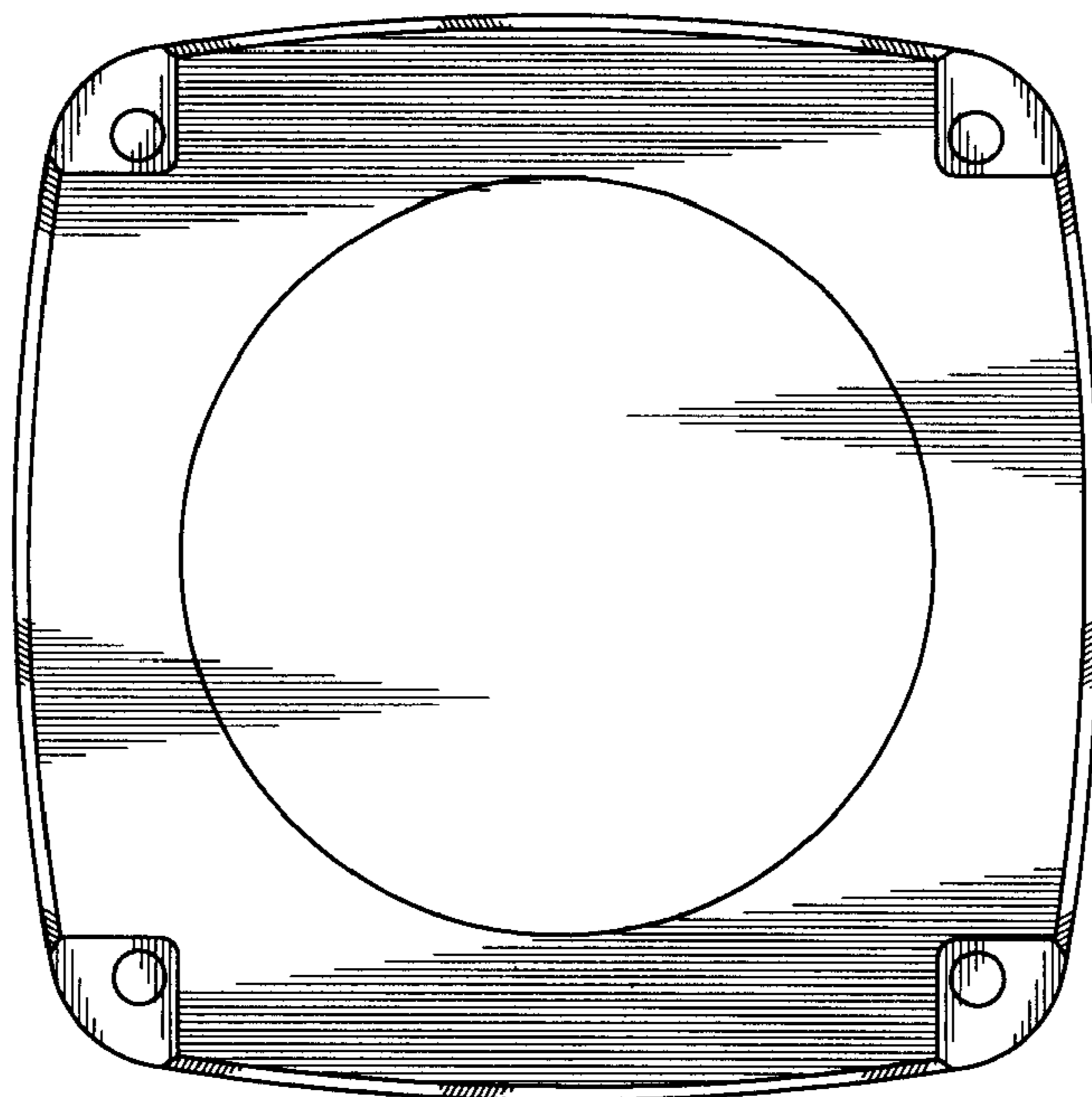


FIG. 7