



US00D529018S

(12) **United States Design Patent**
Rozier

(10) **Patent No.:** **US D529,018 S**

(45) **Date of Patent:** **** Sep. 26, 2006**

(54) **RADIO AND COMPACT DISC PLAYER**

D422,590 S * 4/2000 Kloss D14/194

(75) Inventor: **Charles Rozier**, Westport, CT (US)

* cited by examiner

(73) Assignee: **Boston Acoustics, Inc.**, Peabody, MA (US)

Primary Examiner—Nanda Bondade

(74) *Attorney, Agent, or Firm*—Peter A. Nieves; Sheehan Phinney Bass & Green, PA

(**) Term: **14 Years**

(57) **CLAIM**

(21) Appl. No.: **29/222,745**

I claim the ornamental design for a radio and compact disc player, as shown and described.

(22) Filed: **Feb. 3, 2005**

DESCRIPTION

(51) **LOC (8) Cl.** **14-01**

FIG. 1 is a perspective view of the radio and compact disc player of the present invention;

(52) **U.S. Cl.** **D14/168**

FIG. 2 is a front view of the radio and compact disc player;

(58) **Field of Classification Search** D14/135–136, D14/156–157, 160–165, 167–168, 192–198, D14/188, 217, 257, 258, 445; 360/99.02, 360/99.07; 720/612, 619, 647, 655; 455/344, 455/347–351; 369/77.11, 75.11, 75.21, 77.21
See application file for complete search history.

FIG. 3 is a back view of the radio and compact disc player;

FIG. 4 is a top view of the radio and compact disc player;

FIG. 5 is a bottom view of the radio and compact disc player;

FIG. 6 is a right side of the radio and compact disc player;

and,

FIG. 7 is a left side view of the radio and compact disc player.

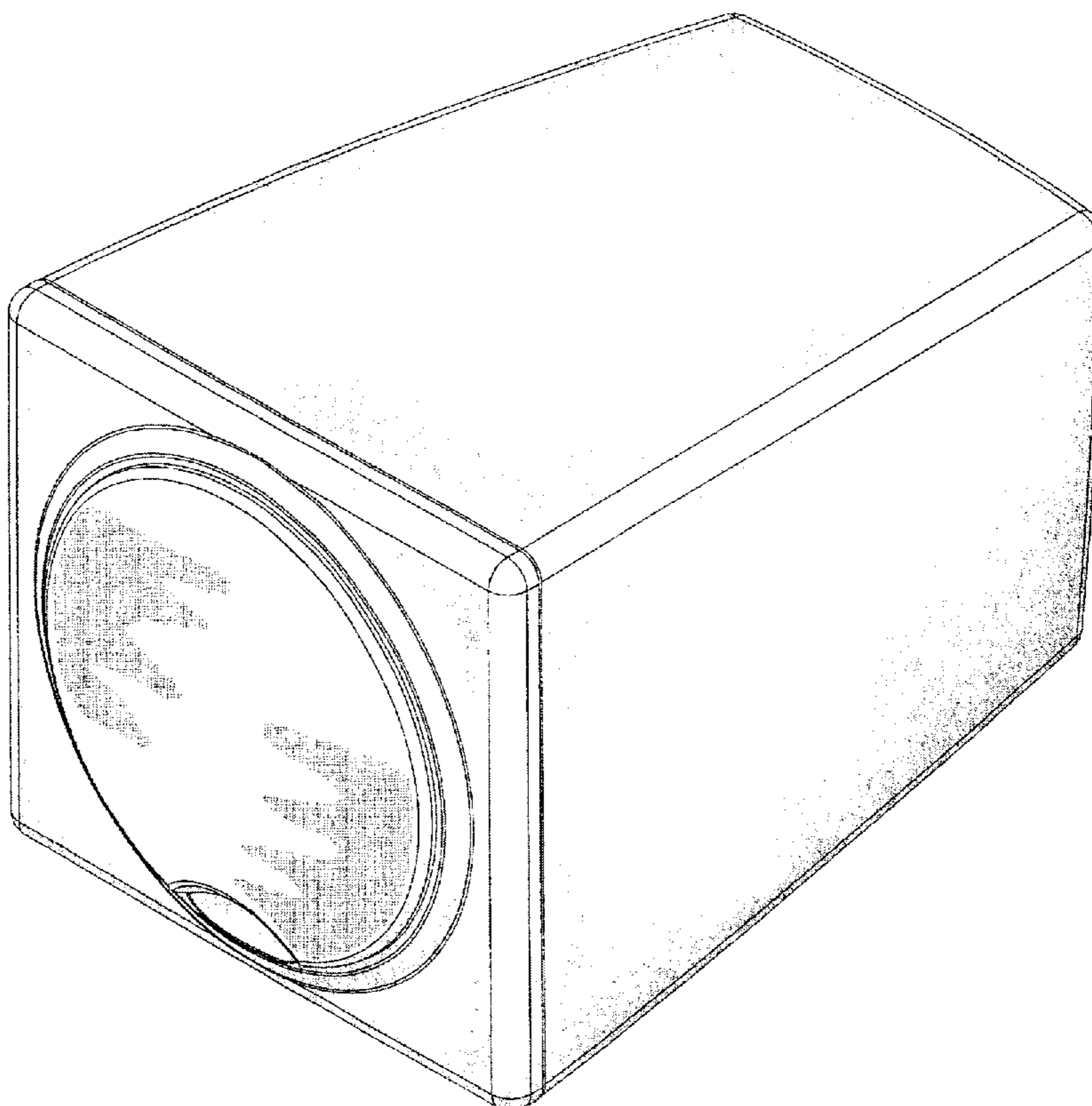
The broken line showing in the drawing disclosure is for illustrative purposes only and forms no part of the claimed design.

(56) **References Cited**

U.S. PATENT DOCUMENTS

D419,558 S * 1/2000 Bhavnani D14/198

1 Claim, 7 Drawing Sheets



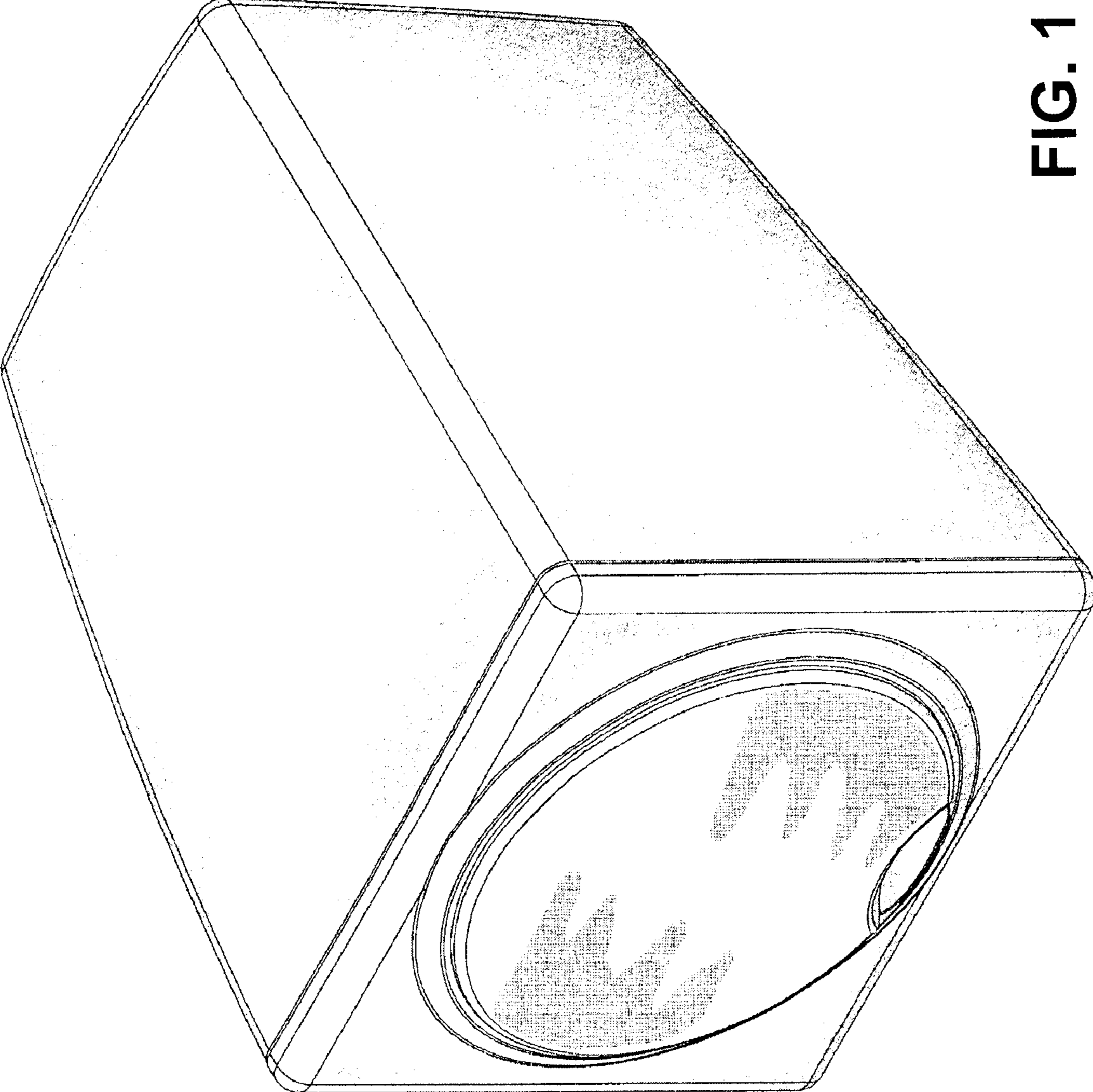


FIG. 1

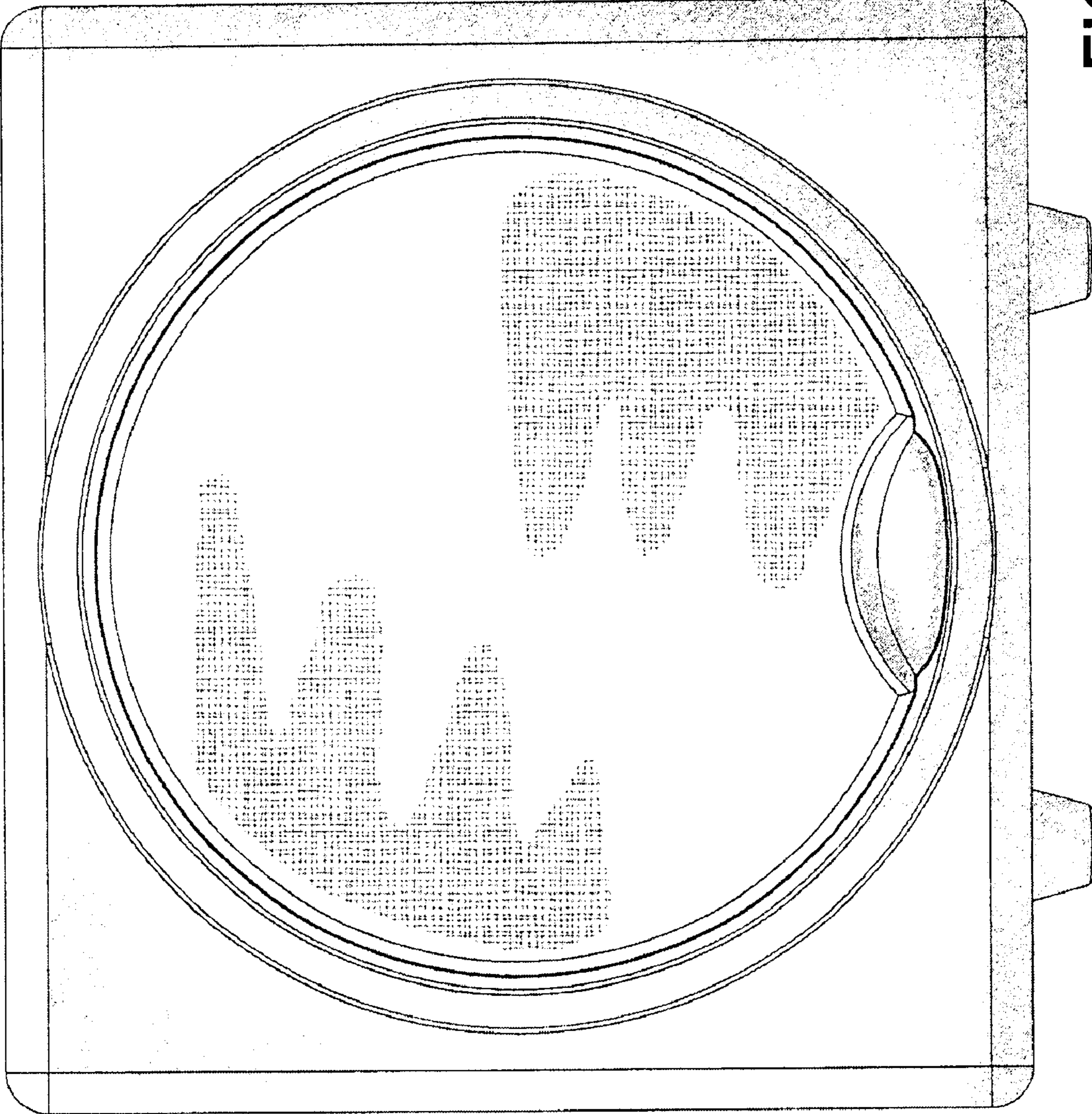


FIG. 2

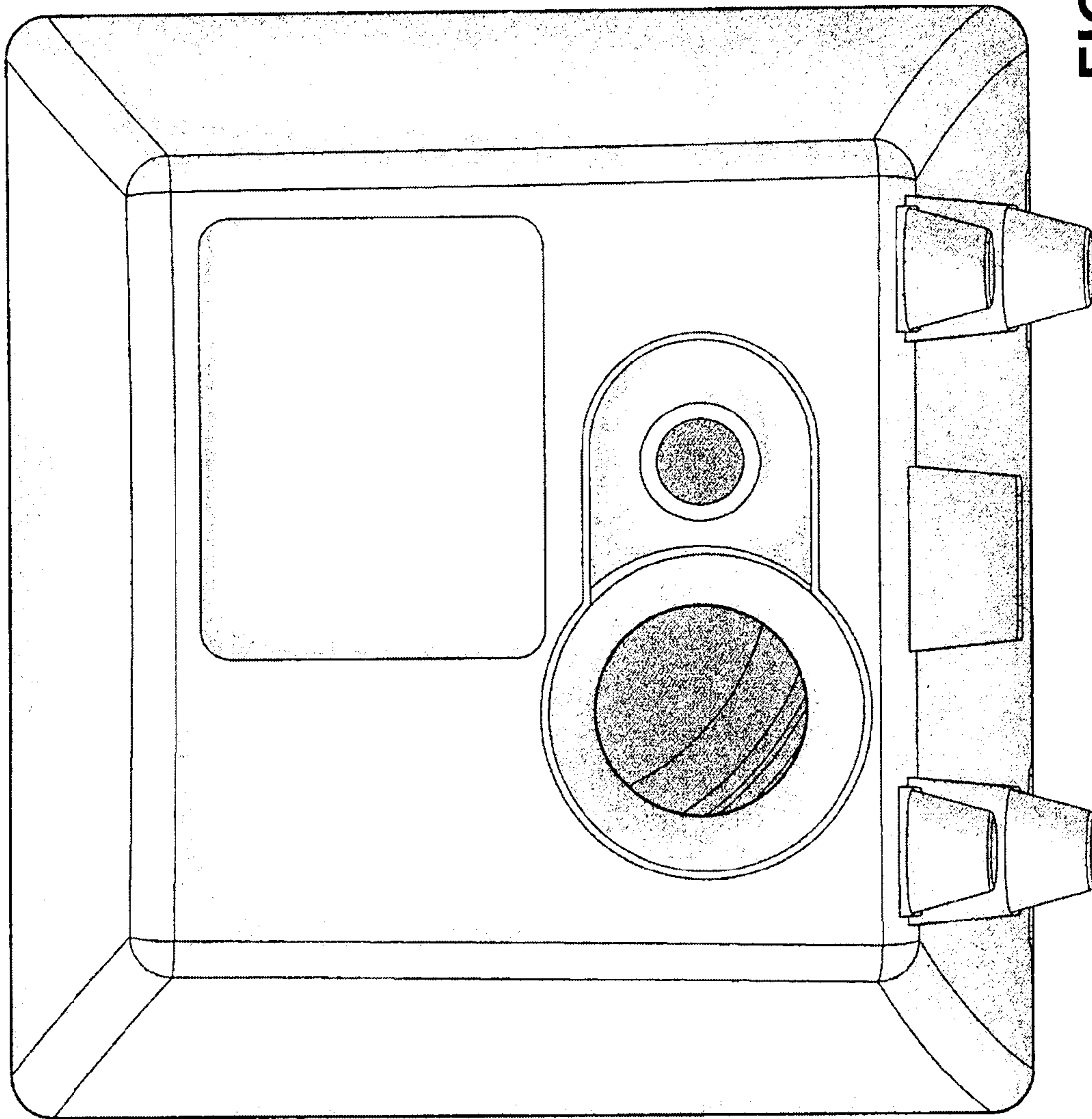


FIG. 3

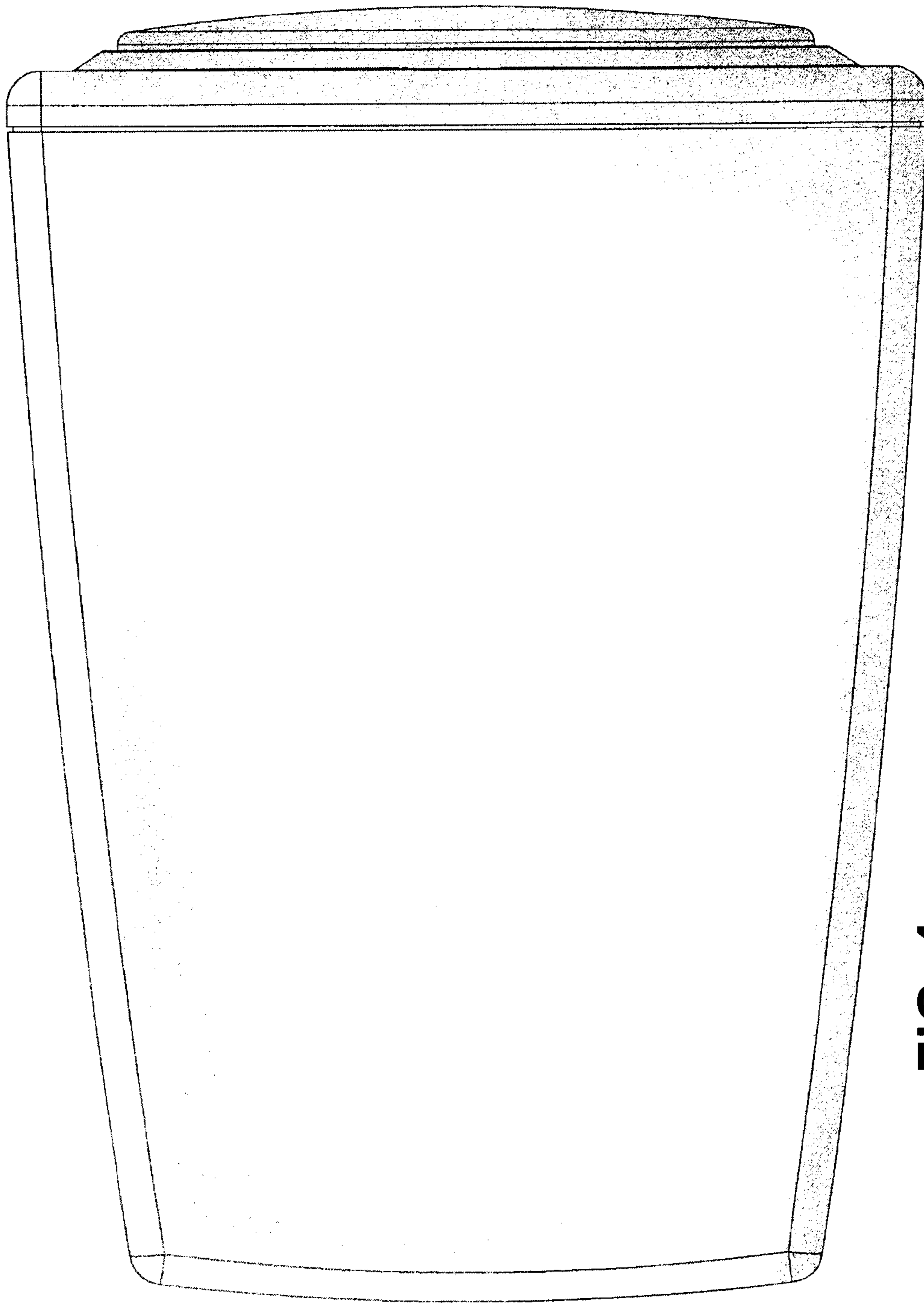


FIG. 4

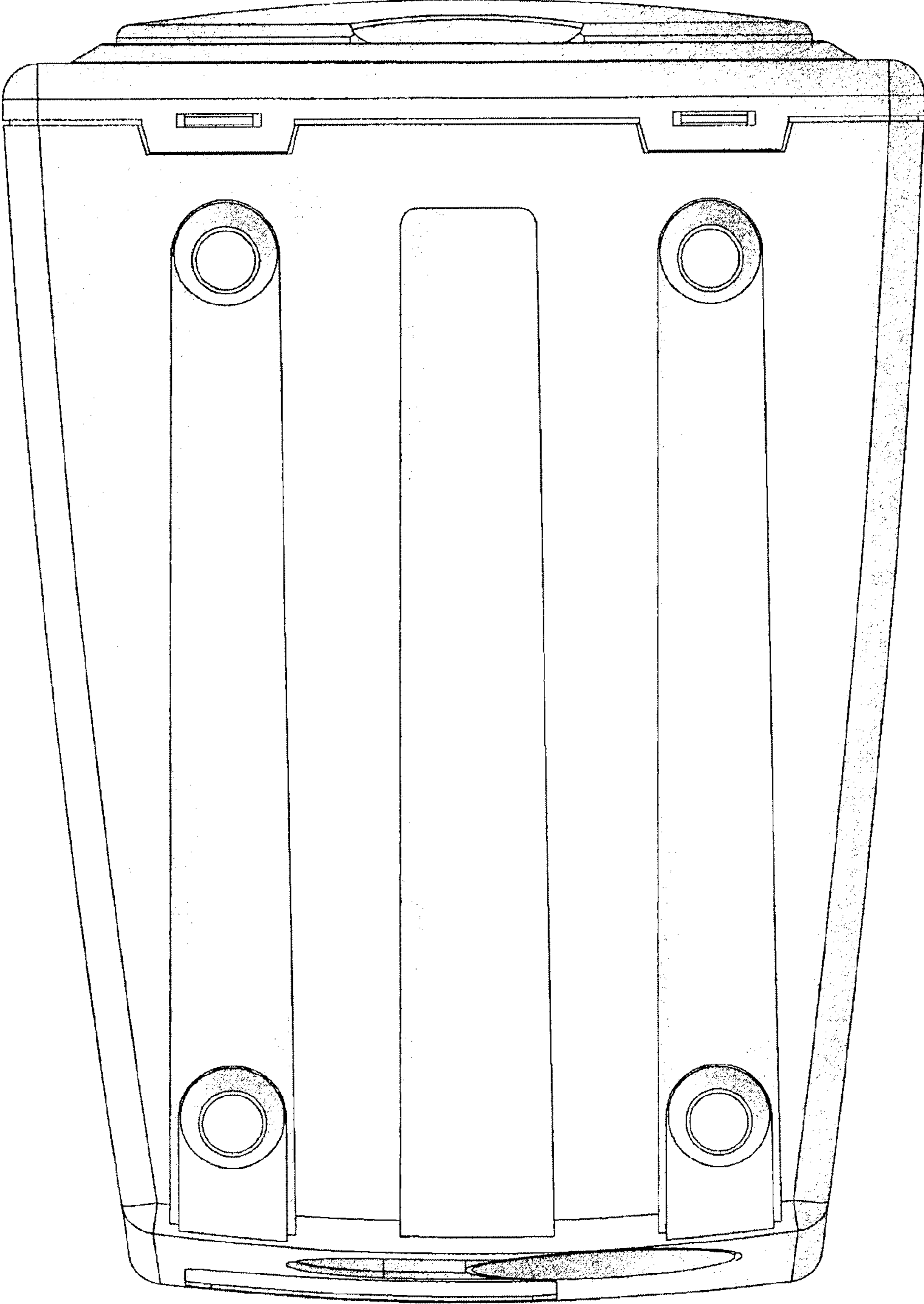


FIG. 5

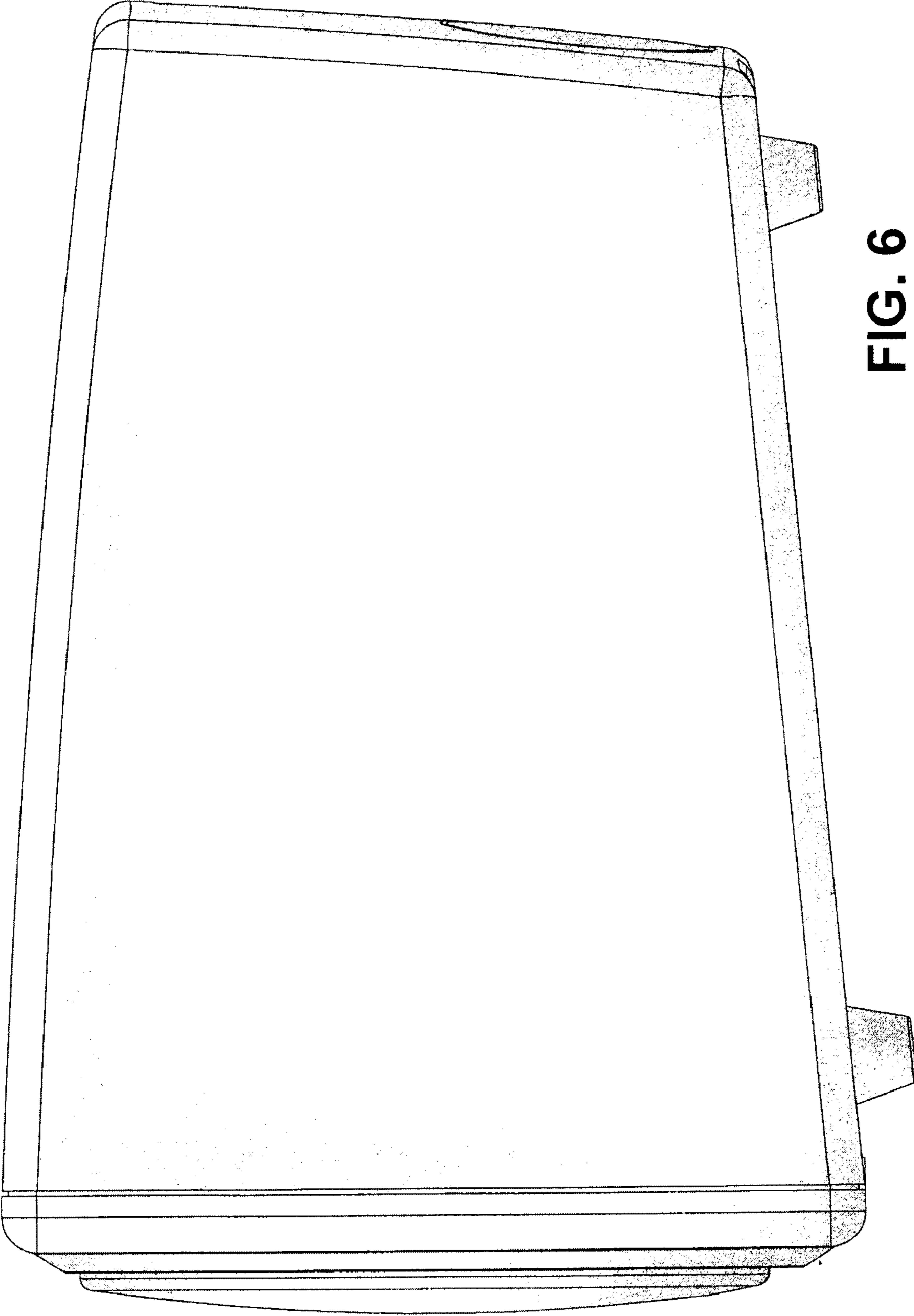


FIG. 6

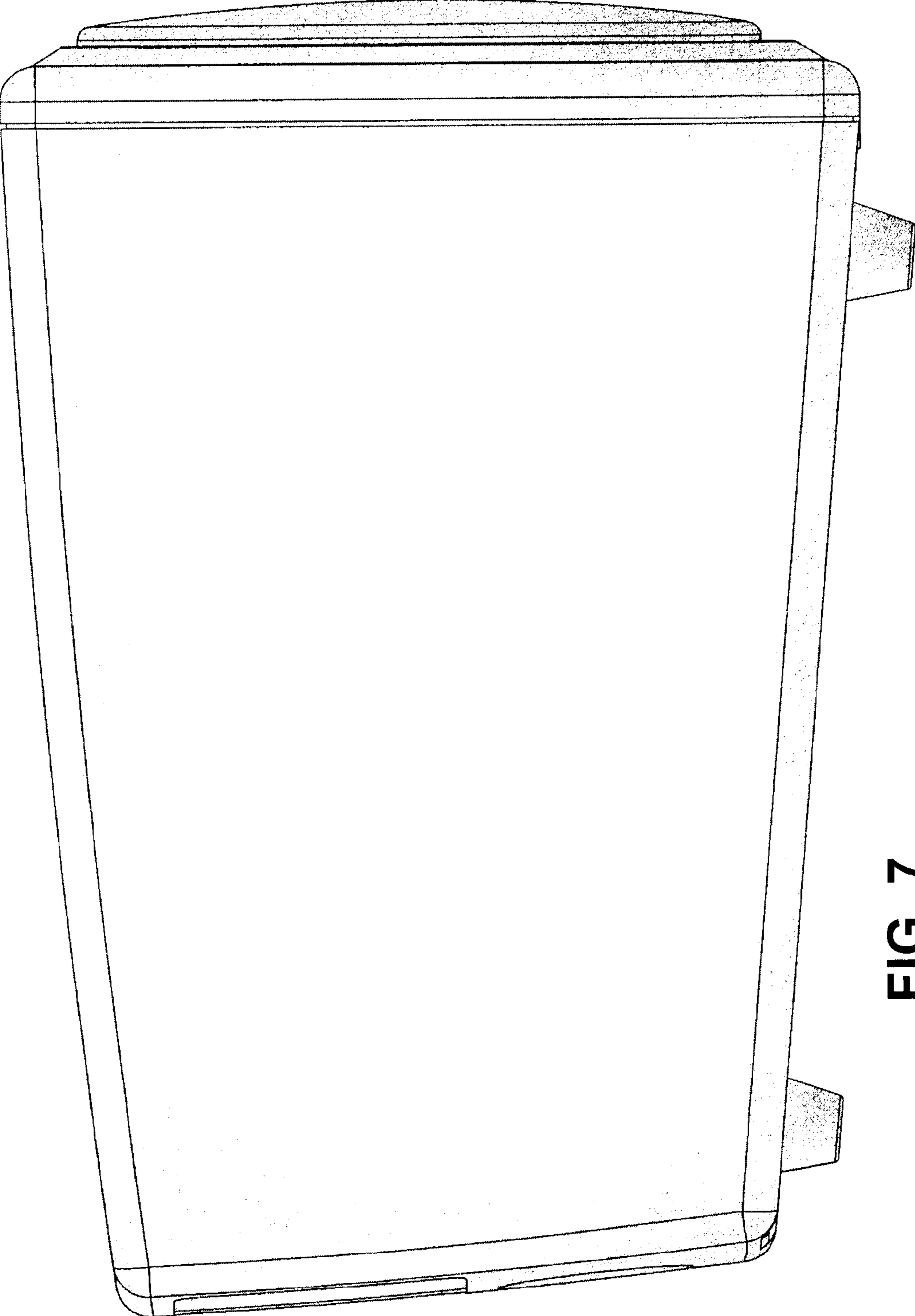


FIG. 7