

US00D529013S

(12) **United States Design Patent**
Hsiung et al.

(10) **Patent No.:** **US D529,013 S**

(45) **Date of Patent:** **** Sep. 26, 2006**

(54) **VIDEO RECORDER**

D475,036 S * 5/2003 Tejima D14/168
D497,148 S * 10/2004 Kamata et al. D14/136

(75) Inventors: **Cheng-Chieh Hsiung**, Taipei (TW);
Ping-Hung Chen, Taipei (TW)

* cited by examiner

(73) Assignee: **Tatung Co., Ltd.**, Taipei (TW)

Primary Examiner—Nanda Bondade
(74) *Attorney, Agent, or Firm*—Bacon & Thomas

(**) Term: **14 Years**

(57) **CLAIM**

(21) Appl. No.: **29/227,738**

The ornamental design for the video recorder, as shown and described.

(22) Filed: **Apr. 15, 2005**

(51) **LOC (8) Cl.** **14-01**

(52) **U.S. Cl.** **D14/136**

(58) **Field of Classification Search** D14/135–136,
D14/156–157, 160–165, 167–168, 193–198,
D14/188, 445; 360/99.02, 99.07; 369/75.11,
369/75.21, 77.21, 77.11; 720/612, 619, 647,
720/655; 455/344, 347–351

See application file for complete search history.

DESCRIPTION

FIG. 1 is a perspective view of a video recorder showing our new design;

FIG. 2 is a front view thereof;

FIG. 3 is a rear view thereof;

FIG. 4 is a left side view thereof;

FIG. 5 is a right side view thereof;

FIG. 6 is a top view thereof; and,

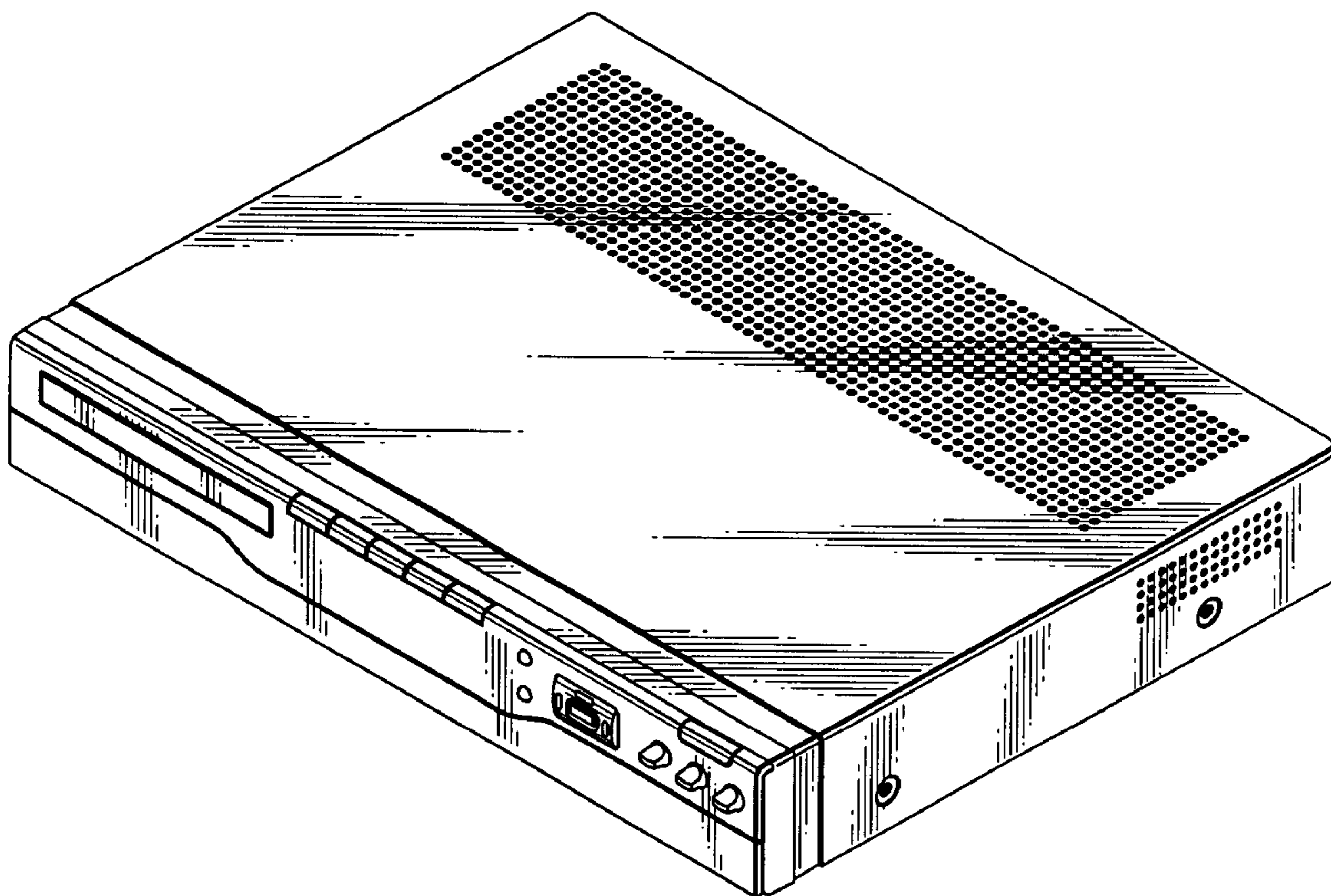
FIG. 7 is a bottom view thereof.

(56) **References Cited**

U.S. PATENT DOCUMENTS

5,859,828 A * 1/1999 Ishibashi 720/655

1 Claim, 3 Drawing Sheets



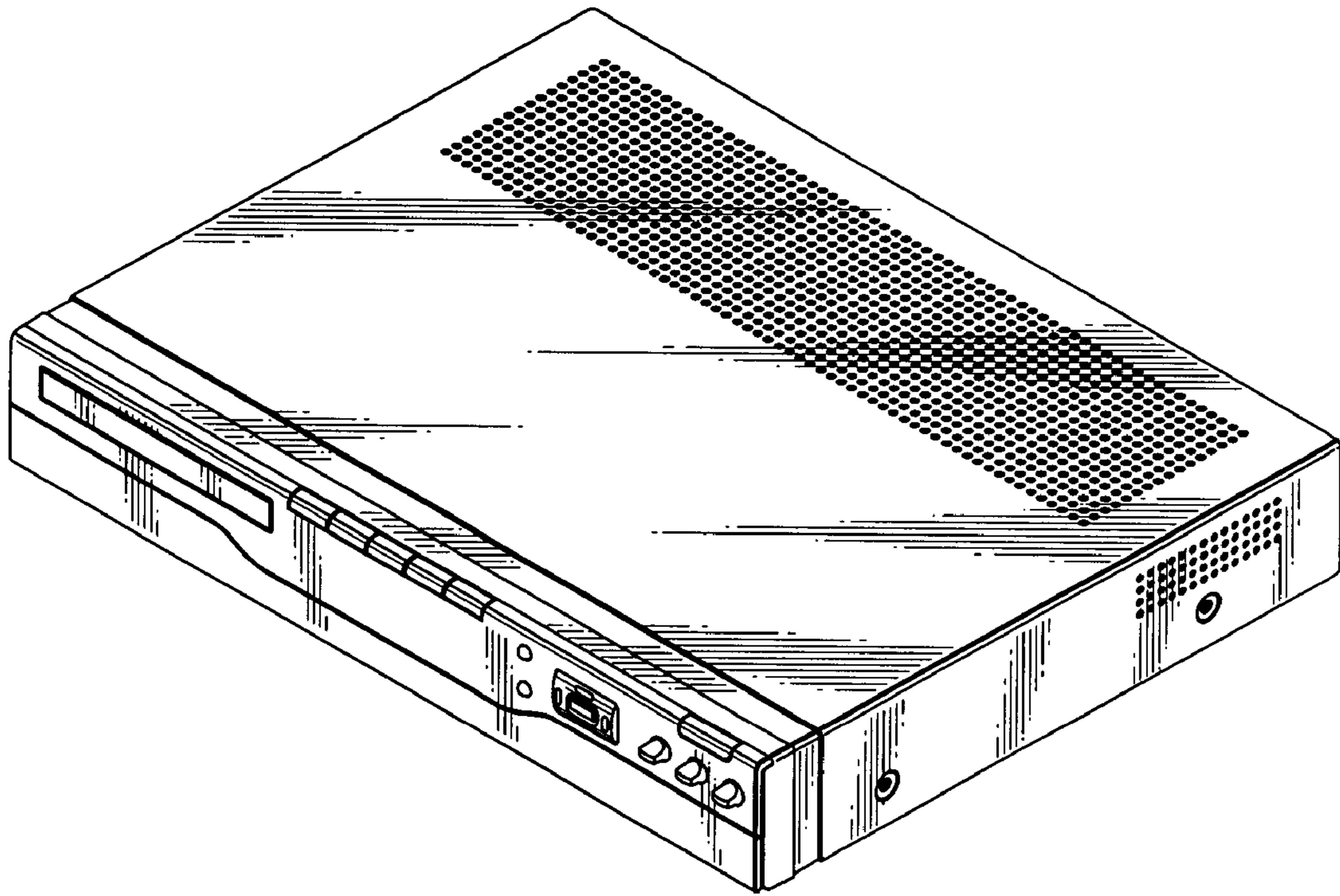


FIG. 1

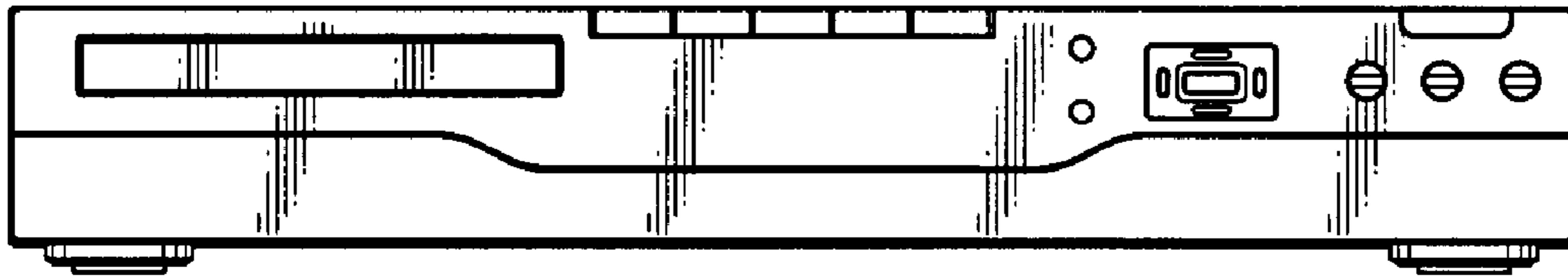


FIG. 2

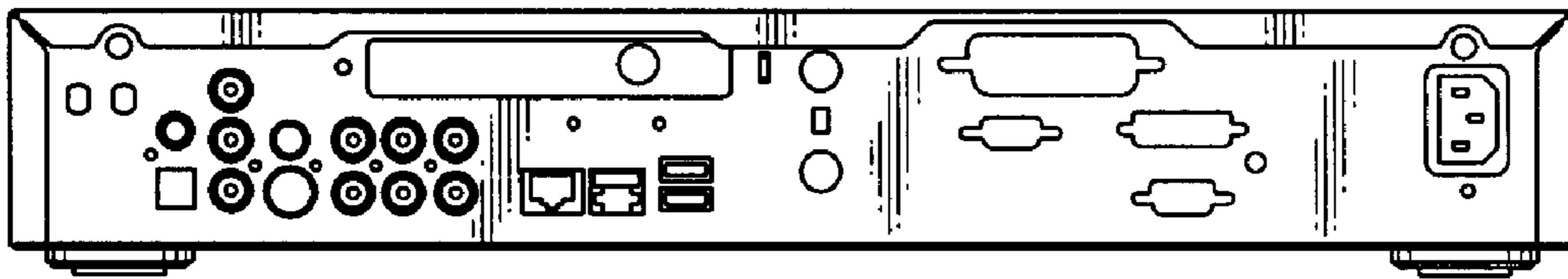


FIG. 3



FIG. 4

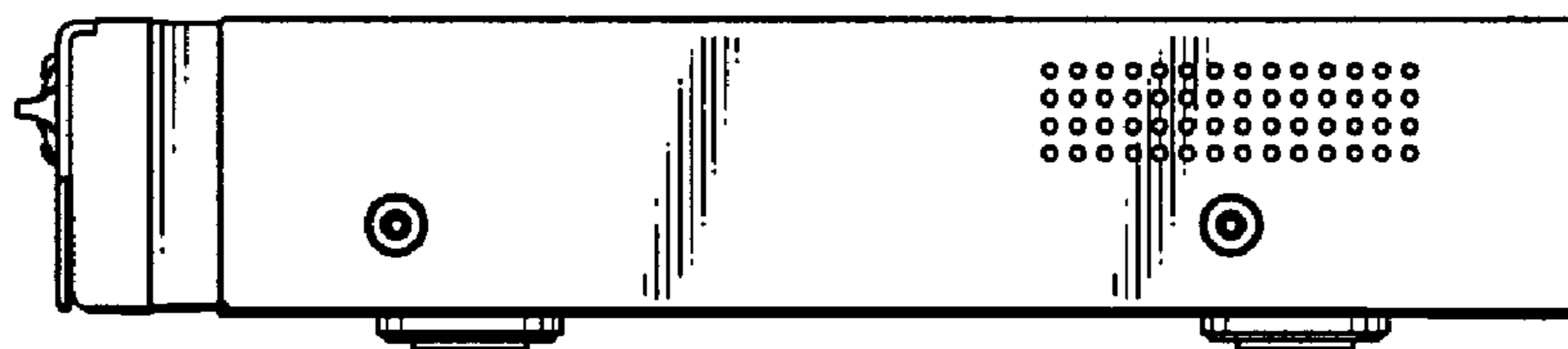


FIG. 5

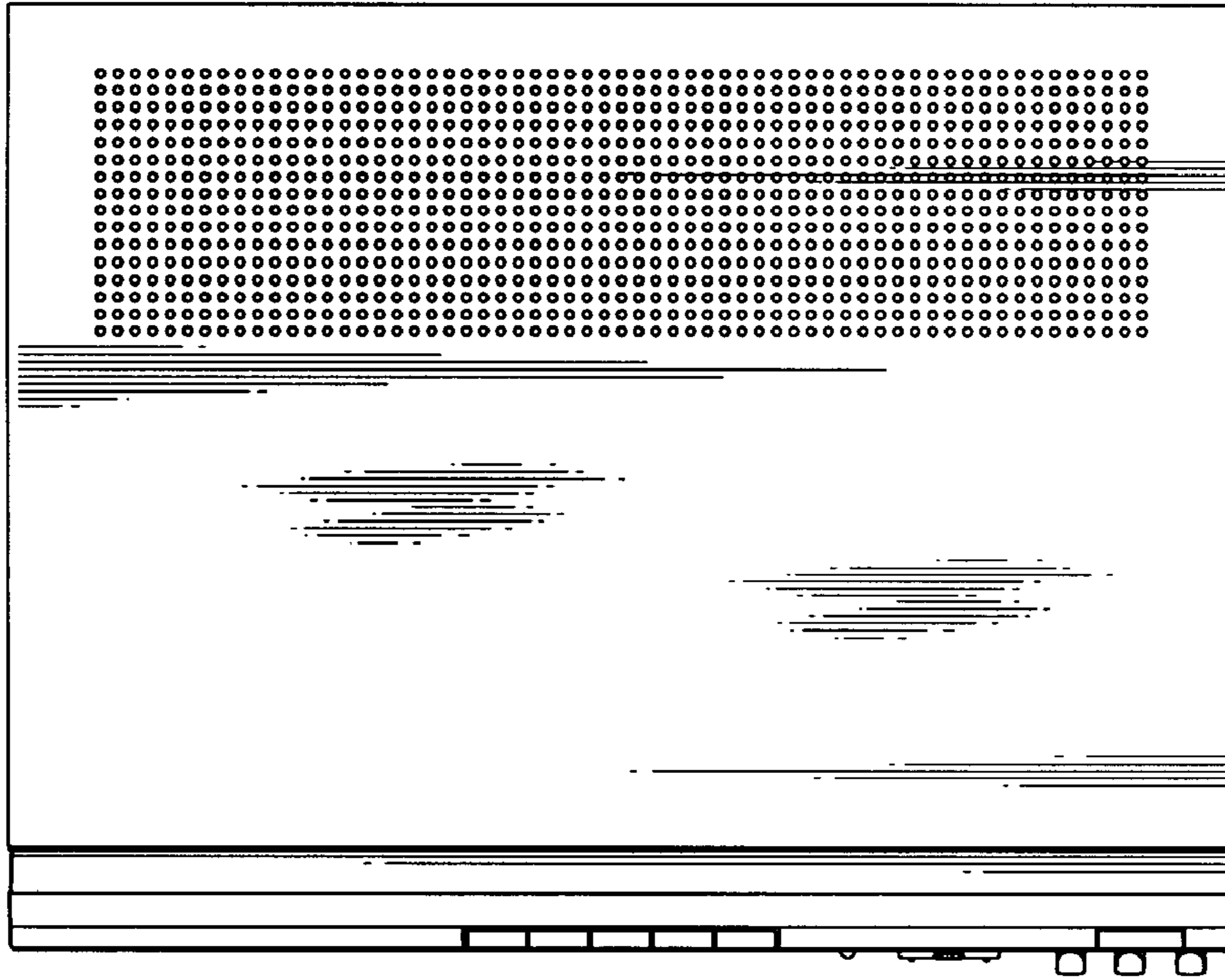


FIG. 6

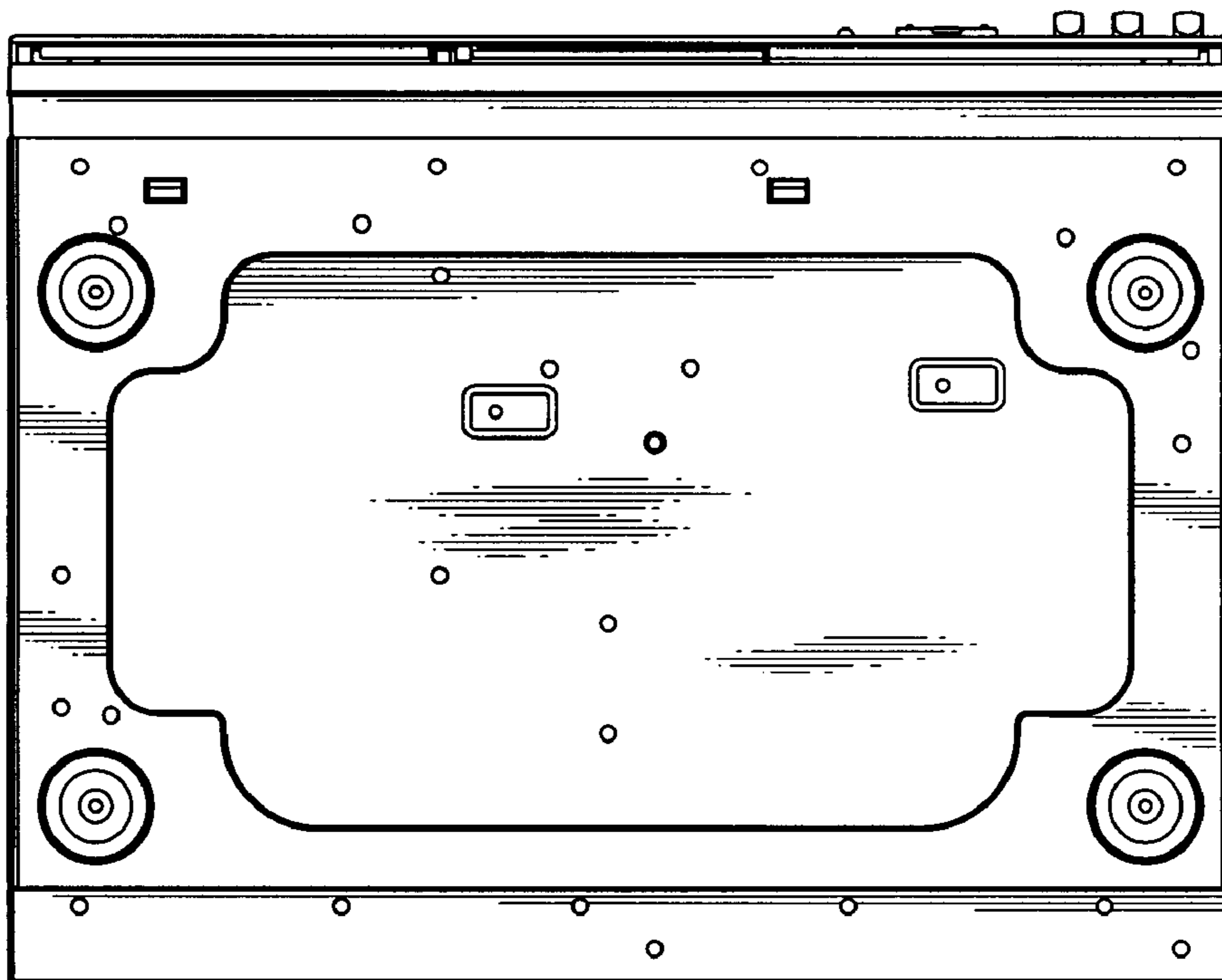


FIG. 7