

US00D529010S

(12) **United States Design Patent**  
**Imboden**

(10) **Patent No.:** **US D529,010 S**

(45) **Date of Patent:** **\*\* Sep. 26, 2006**

(54) **TELEVISION SET**

(75) **Inventor:** **Ethan Imboden**, San Francisco, CA  
(US)

(73) **Assignee:** **Hannspre Inc.**, Taipei (TW)

(\*\*) **Term:** **14 Years**

(21) **Appl. No.:** **29/238,077**

(22) **Filed:** **Sep. 9, 2005**

(51) **LOC (8) Cl.** ..... **14-03**

(52) **U.S. Cl.** ..... **D14/126**

(58) **Field of Classification Search** ..... D14/125-134,  
D14/239, 371, 136, 374-377; 312/7.2; 348/836,  
348/838, 180, 184, 325, 739; 341/12; 248/917-924,  
248/465; 345/104, 133, 156, 168, 87, 173;  
720/605, 669, 600, 655; 369/99, 197; 455/344-347  
See application file for complete search history.

(56) **References Cited**

**U.S. PATENT DOCUMENTS**

D350,346 S	*	9/1994	Takemasa et al.	.....	D14/126
D356,081 S	*	3/1995	Naito et al.	.....	D14/129
D410,447 S	*	6/1999	Chang	.....	D14/126
D446,193 S	*	8/2001	Lavelle et al.	.....	D14/126

D449,610 S	*	10/2001	Chen	.....	D14/374
D454,352 S	*	3/2002	Love et al.	.....	D14/450
D467,920 S	*	12/2002	Chen et al.	.....	D14/375
D468,738 S	*	1/2003	Lin	.....	D14/371
D469,431 S	*	1/2003	Lin	.....	D14/375
D470,489 S	*	2/2003	Lin	.....	D14/375
6,661,474 B1	*	12/2003	Hung	.....	348/836

\* cited by examiner

*Primary Examiner*—Raphael Barkai

(74) *Attorney, Agent, or Firm*—Thomas, Kayden,  
Horstemeyer & Risley

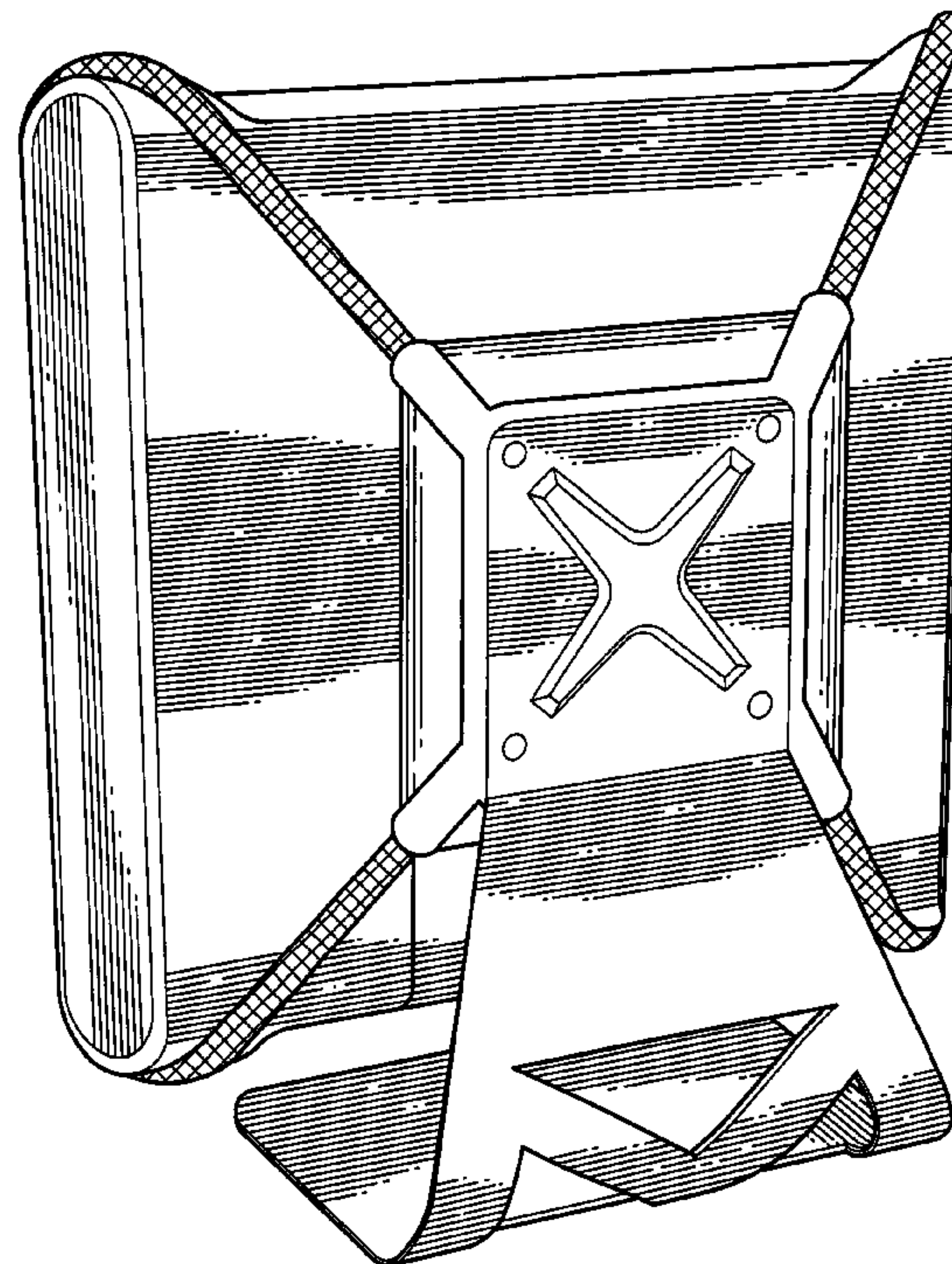
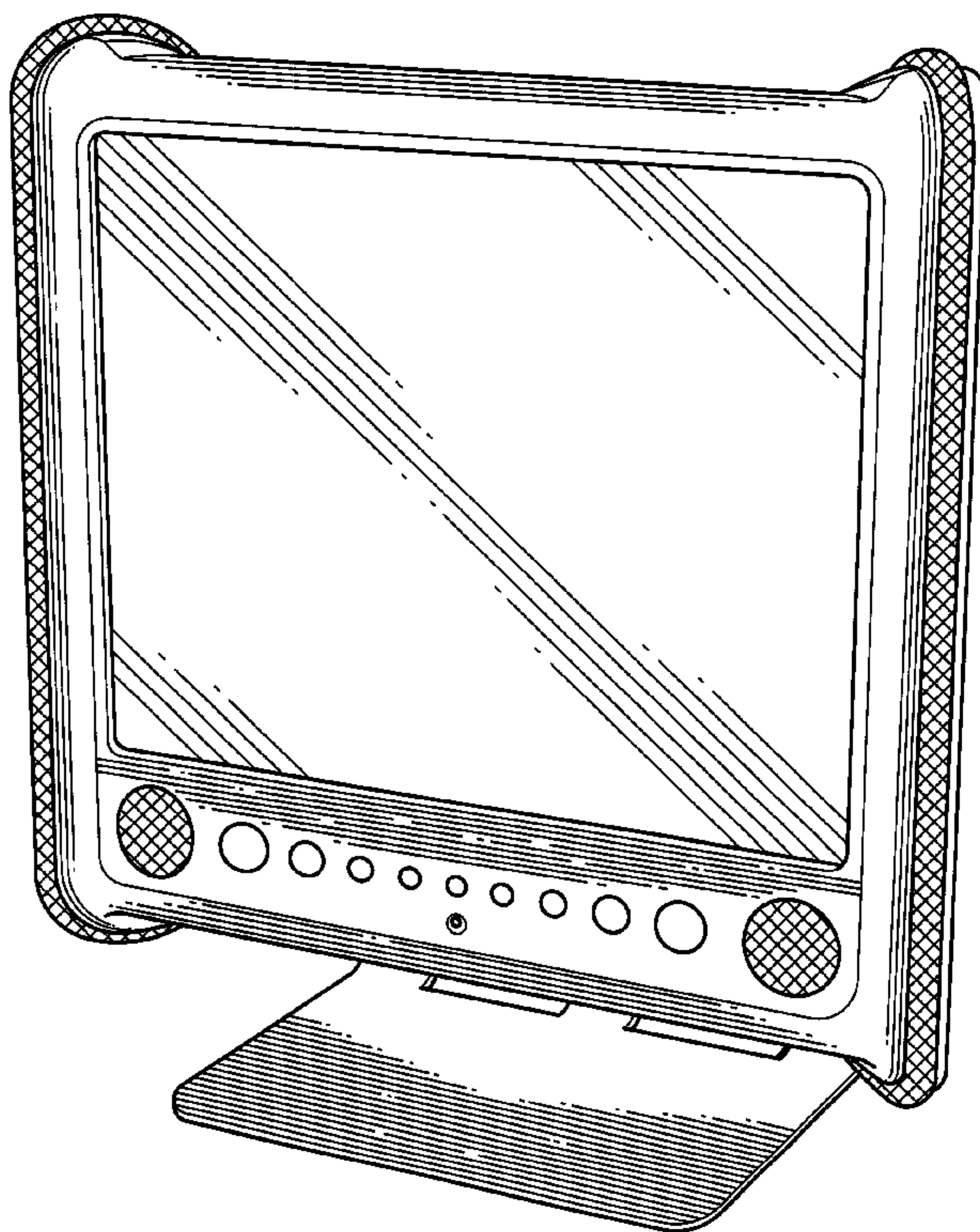
(57) **CLAIM**

The ornamental design for a television set, as shown and described.

**DESCRIPTION**

FIG. 1 is a front perspective view thereof;  
FIG. 2 is a front elevational view thereof;  
FIG. 3 is a rear elevational view thereof;  
FIG. 4 is a left side elevational view thereof;  
FIG. 5 is a right side elevational view thereof;  
FIG. 6 is a top plan view thereof;  
FIG. 7 is a bottom plan view thereof; and,  
FIG. 8 is a rear perspective view thereof.

**1 Claim, 8 Drawing Sheets**



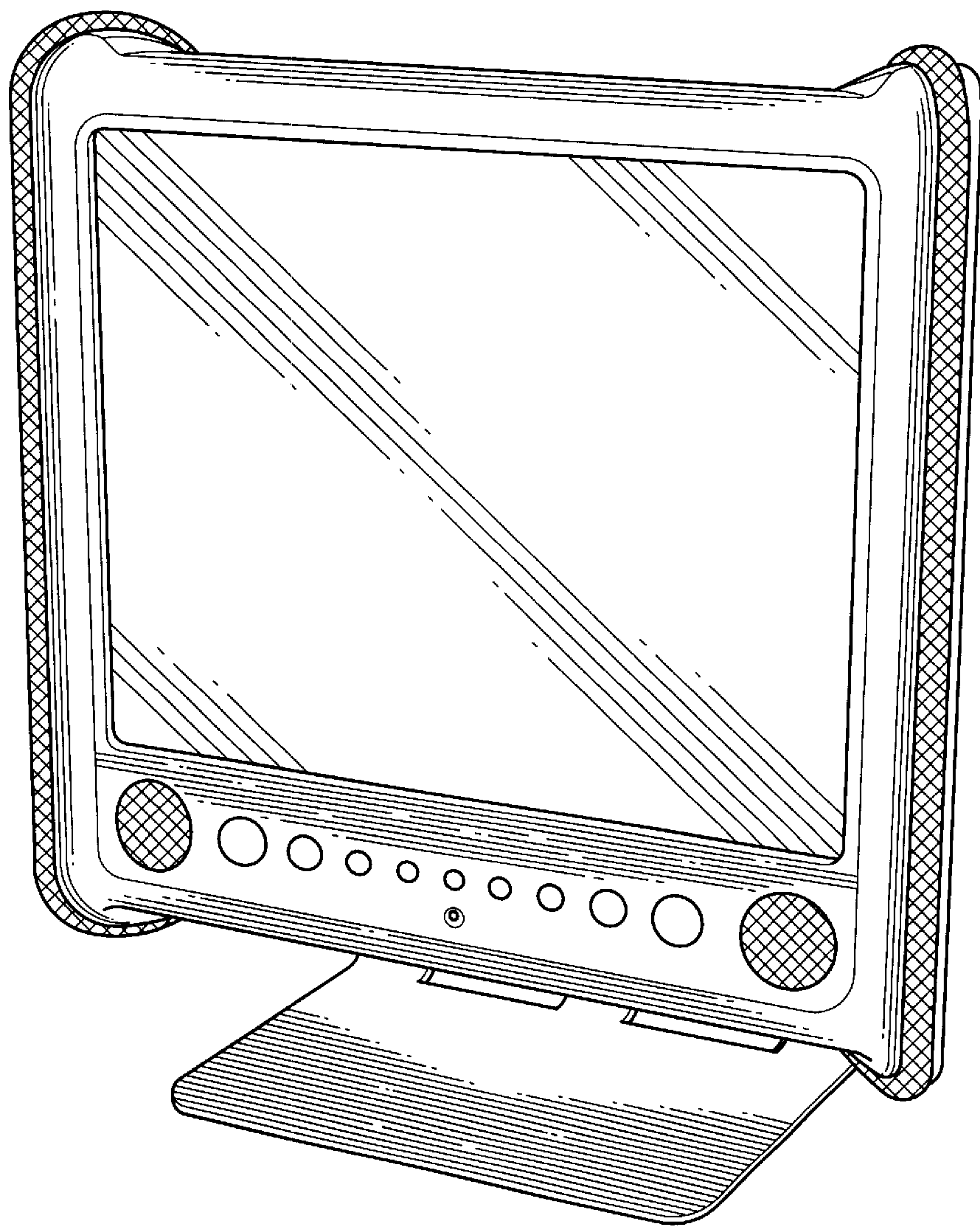


FIG. 1

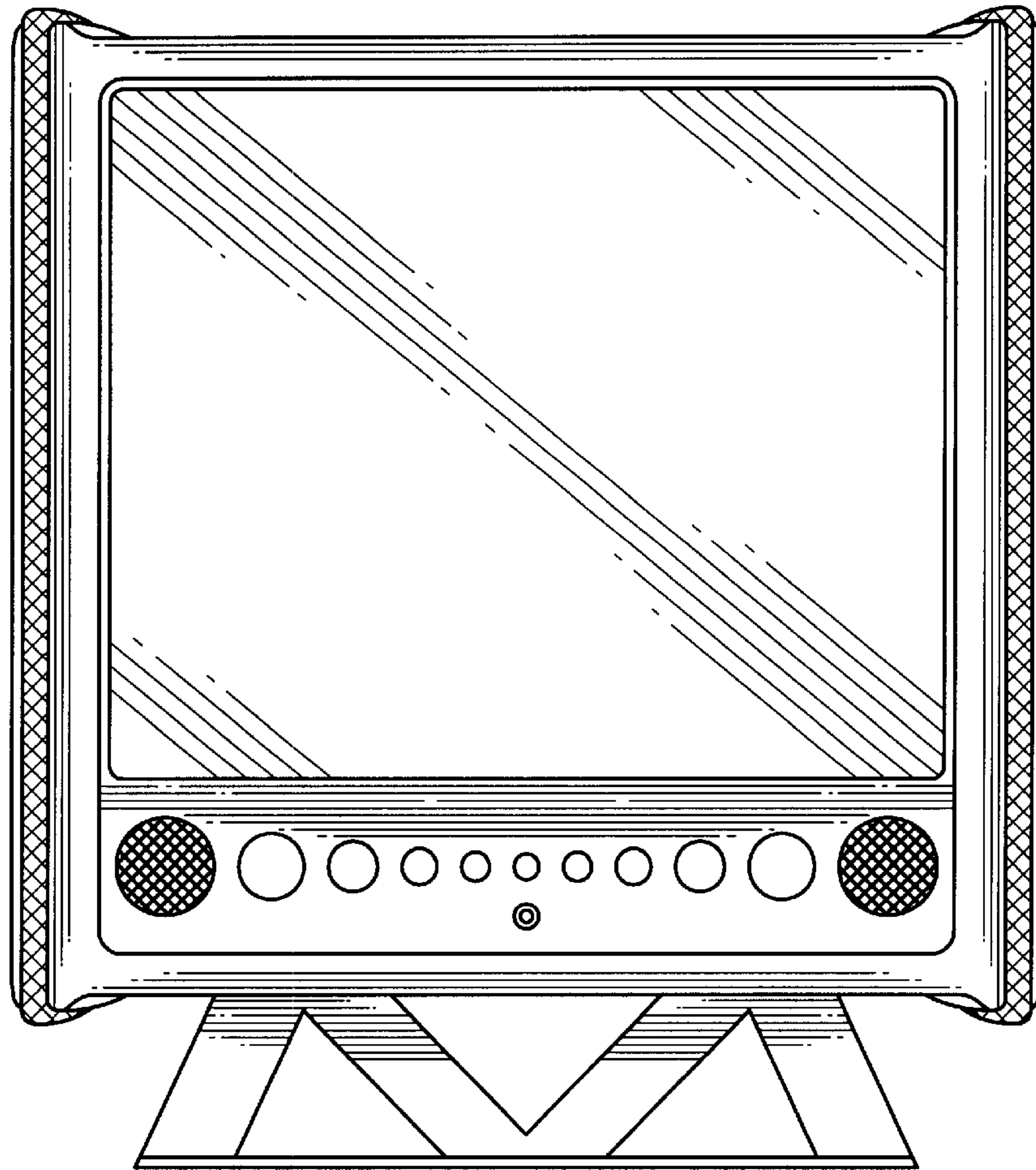


FIG. 2



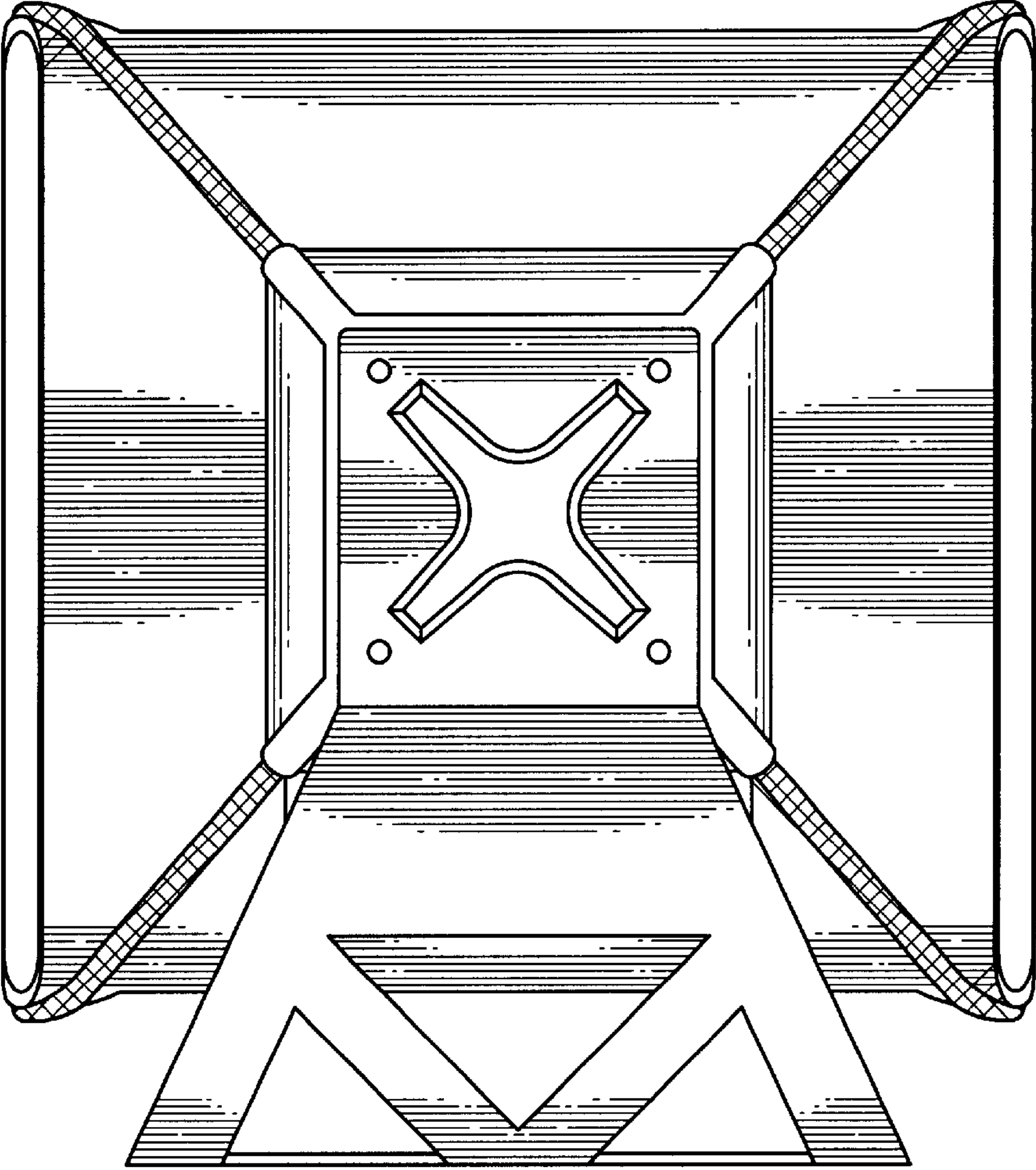


FIG. 3

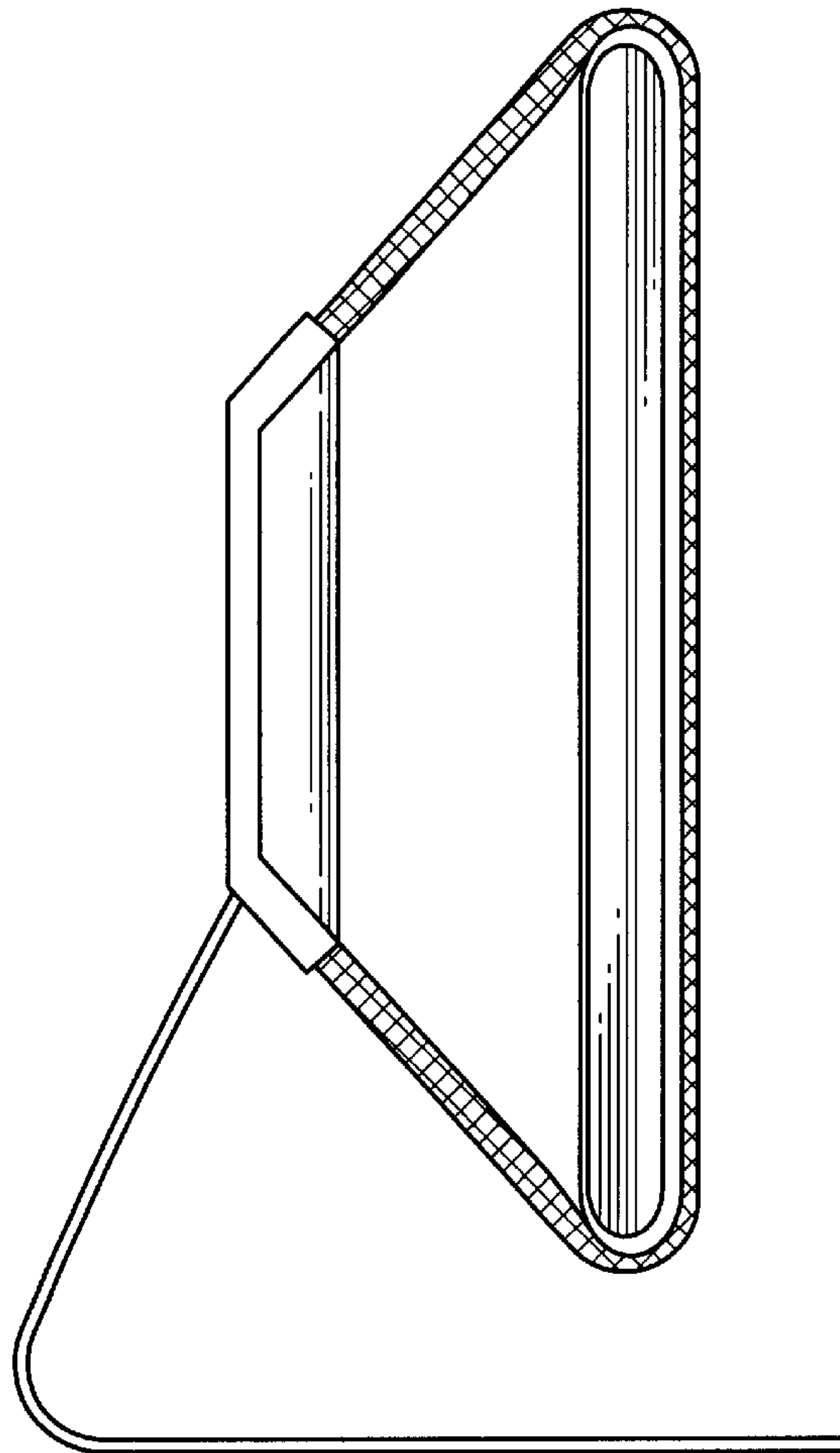


FIG. 4

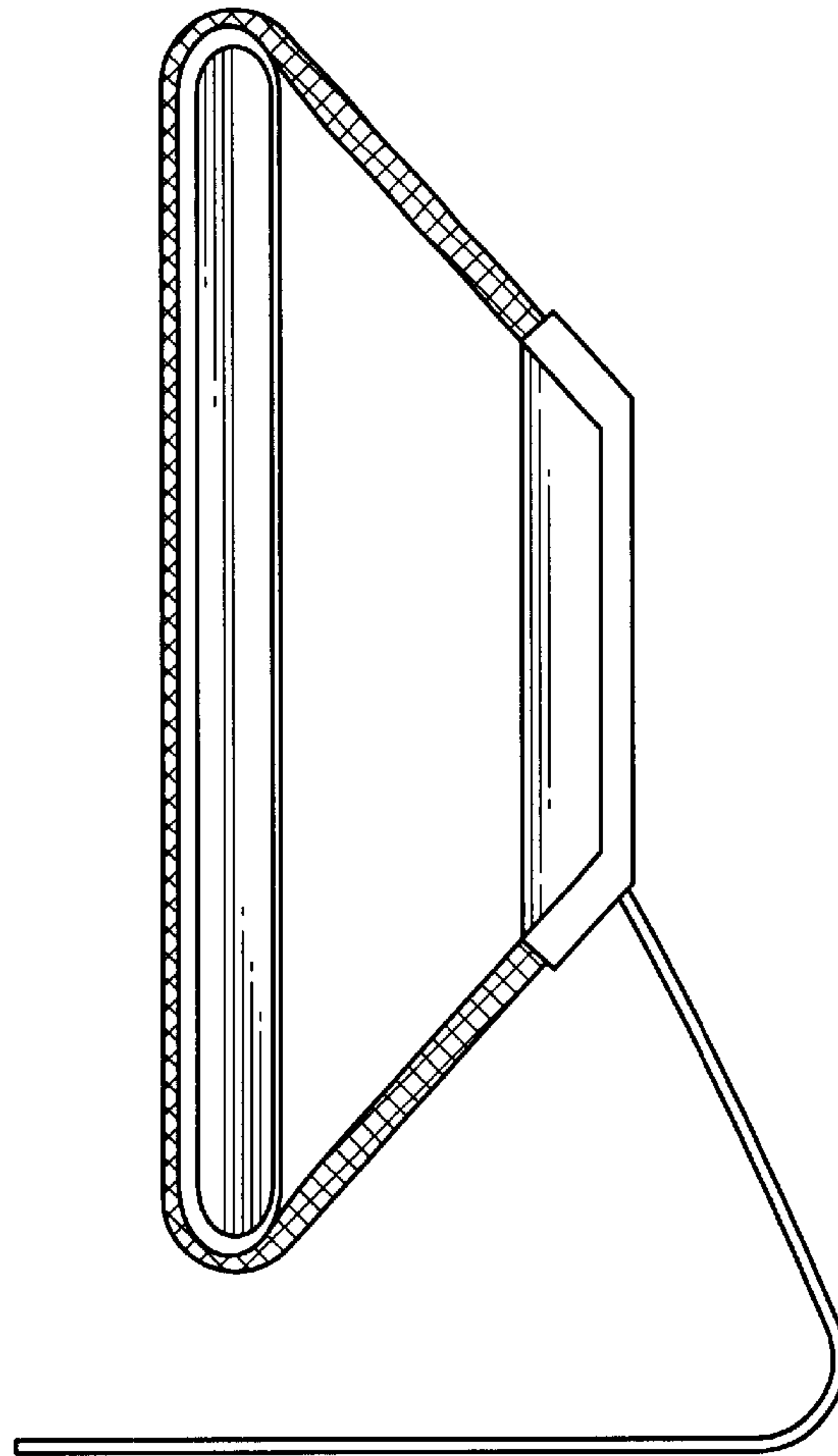


FIG. 5

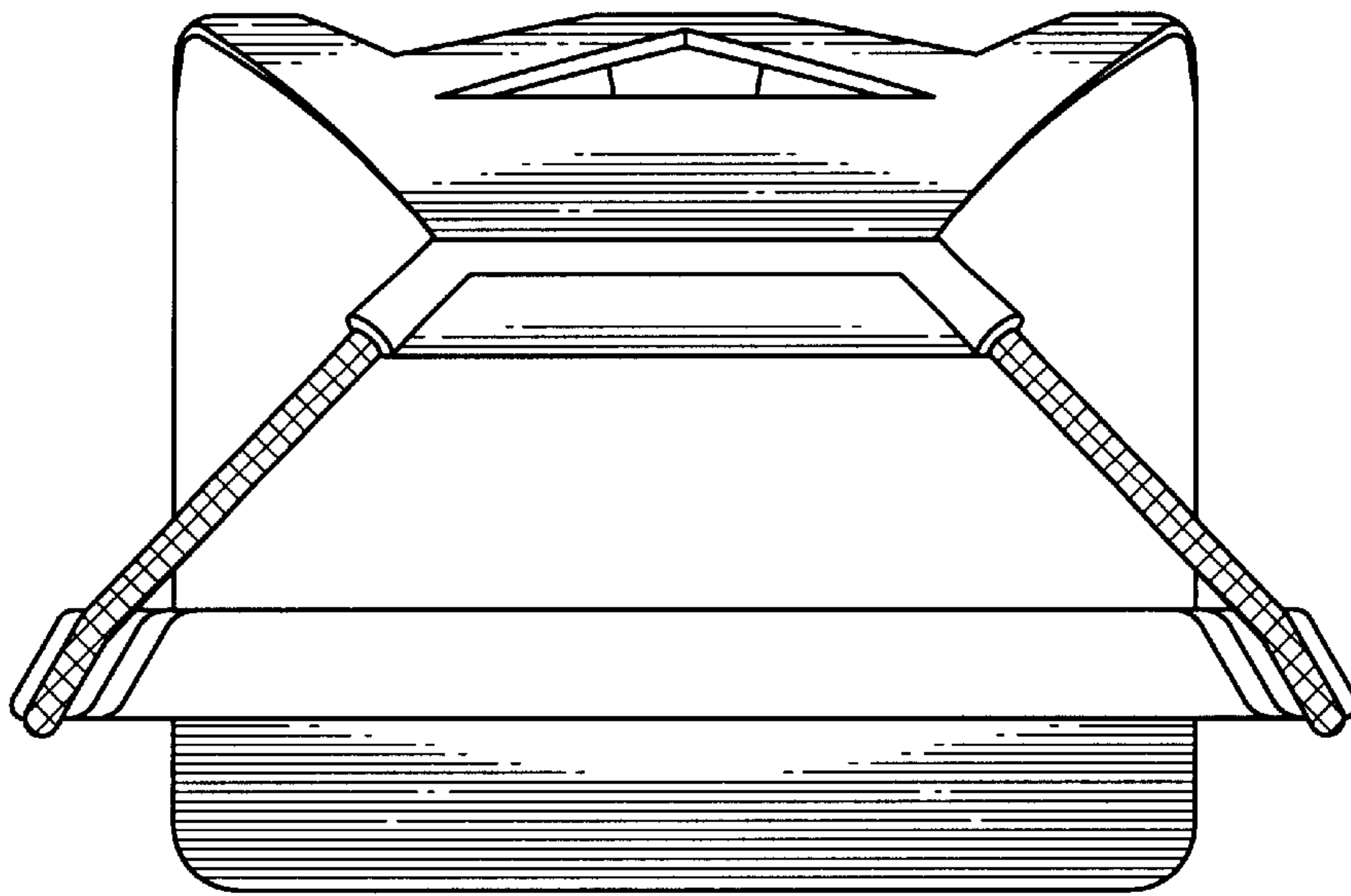


FIG. 6

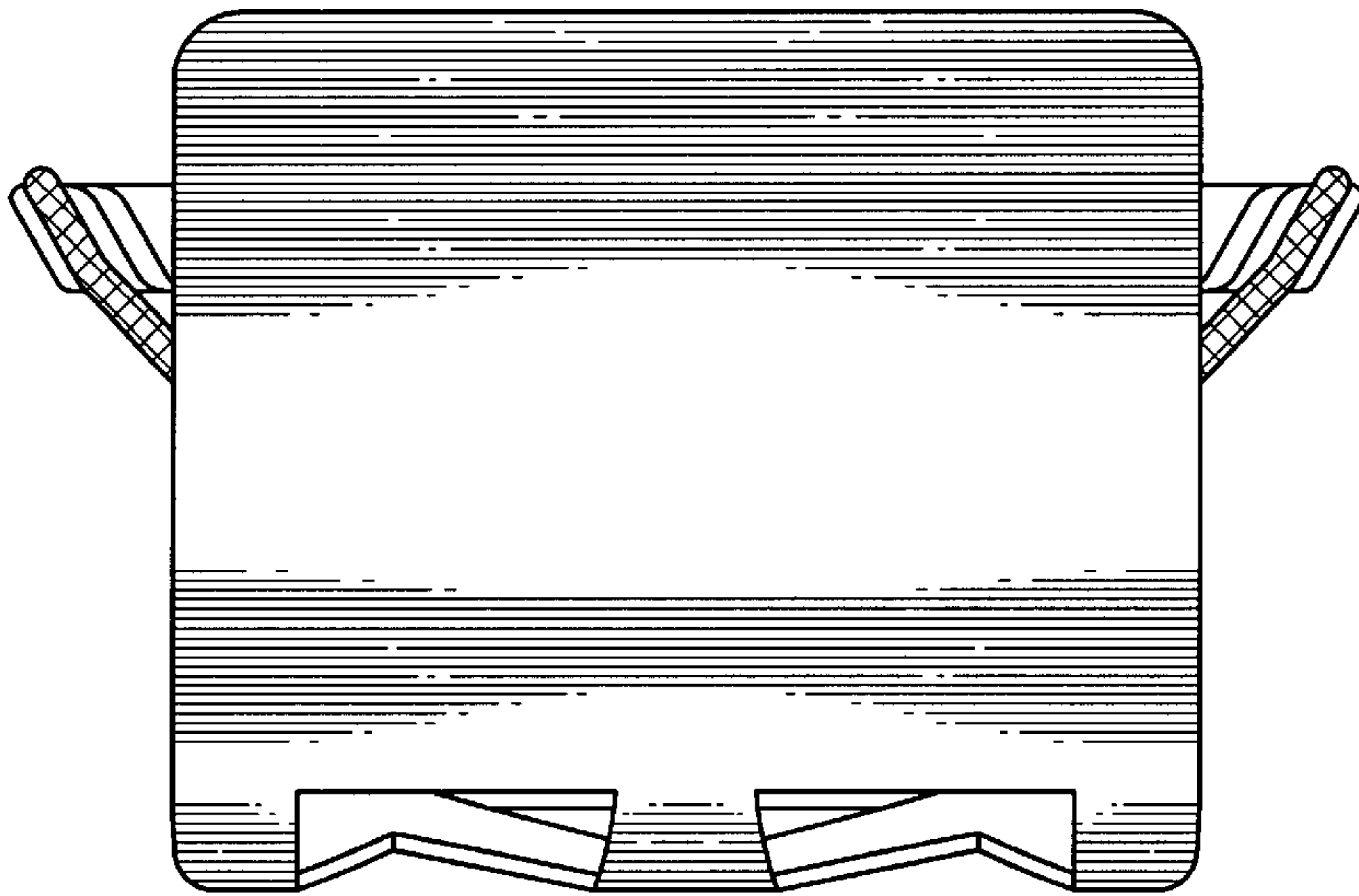


FIG. 7



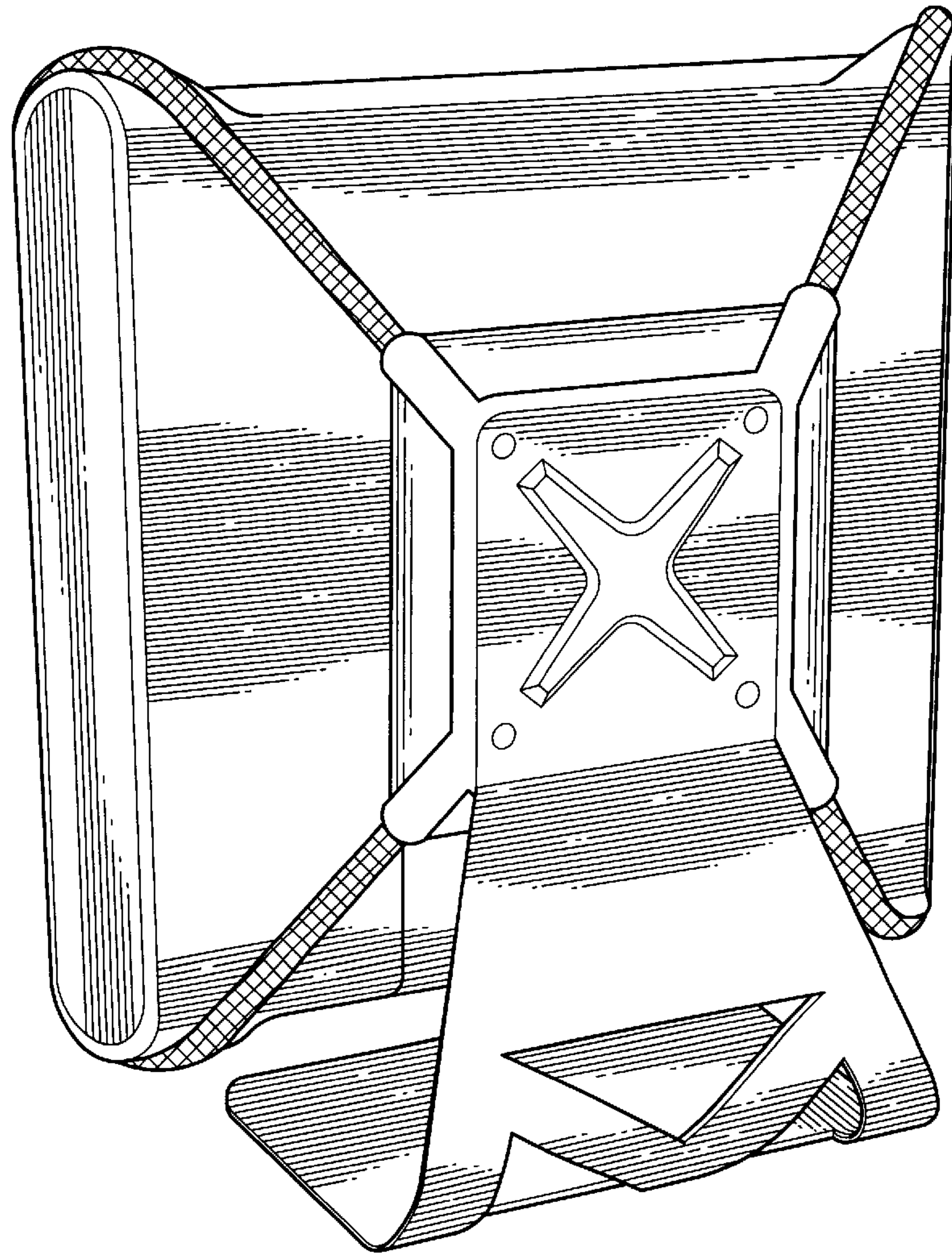


FIG. 8