



US00D529008S

(12) **United States Design Patent**
Lin

(10) **Patent No.:** **US D529,008 S**

(45) **Date of Patent:** **** Sep. 26, 2006**

(54) **TELEVISION SET**

(75) Inventor: **Roger Lin**, Taipei (TW)

(73) Assignee: **Hannspree, Inc.**, Taipei (TW)

(**) Term: **14 Years**

(21) Appl. No.: **29/230,662**

(22) Filed: **May 25, 2005**

(30) **Foreign Application Priority Data**

Dec. 10, 2004 (TW) 93307555

(51) **LOC (8) Cl.** **14-03**

(52) **U.S. Cl.** **D14/126**

(58) **Field of Classification Search** D14/125-134,
D14/239, 371, 136, 374-377; 312/7.2; 348/836,
348/838, 180, 184, 325, 739; 341/12; 248/917-924,
248/465; 345/104, 133, 156, 168, 87, 173;
720/605, 669, 600, 655; 369/99, 197; 455/344-347
See application file for complete search history.

(56) **References Cited**

U.S. PATENT DOCUMENTS

D467,920 S * 12/2002 Chen et al. D14/375

D489,371 S * 5/2004 Sarman D14/371
D496,042 S * 9/2004 Borsboom D14/371

* cited by examiner

Primary Examiner—Raphael Barkai

(74) *Attorney, Agent, or Firm*—Troxell Law Office, PLLC

(57) **CLAIM**

The ornamental design for a television set, as shown and described.

DESCRIPTION

FIG. 1 is a perspective view of television set showing our design;

FIG. 2 is a front view thereof;

FIG. 3 is a rear side view thereof;

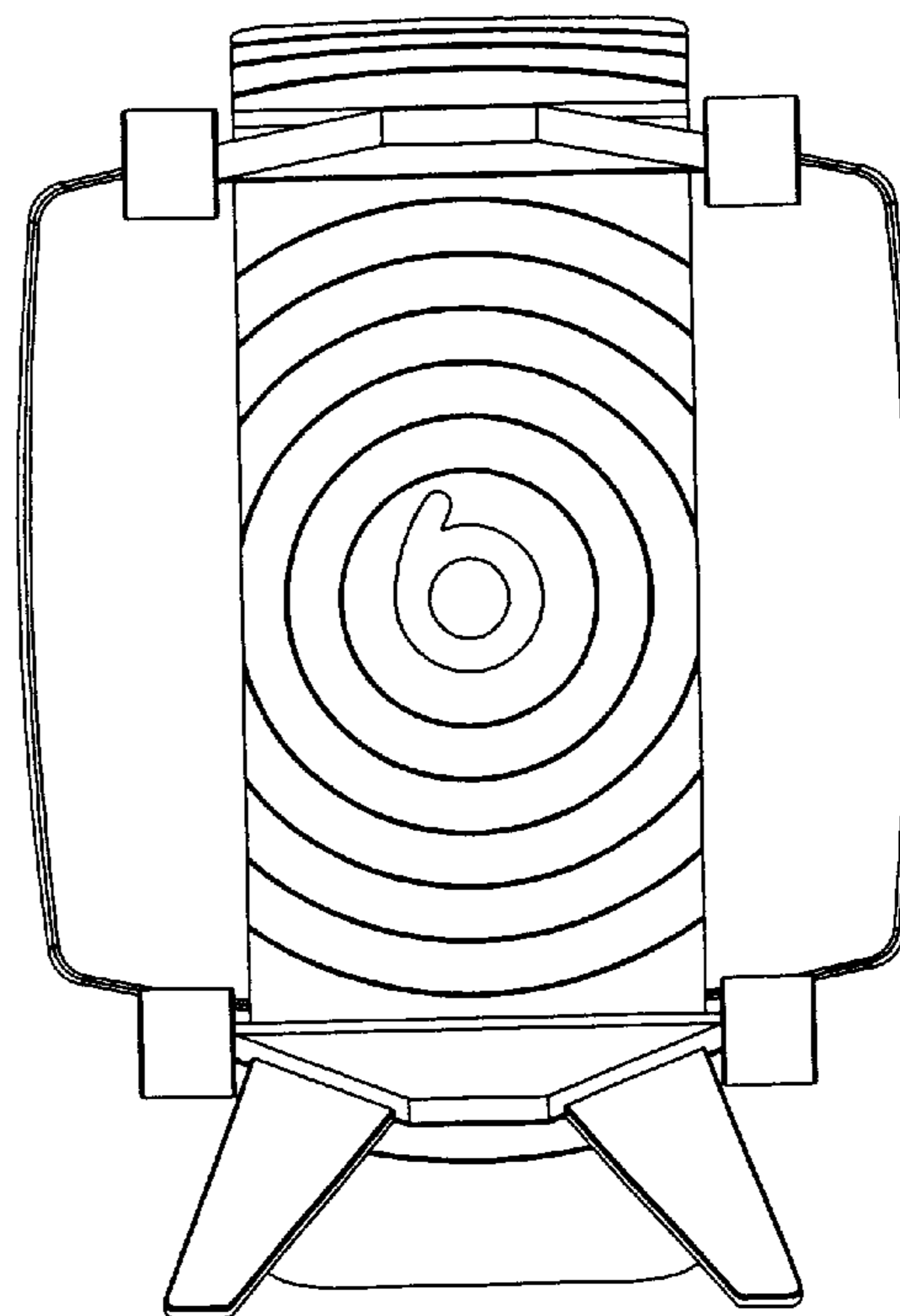
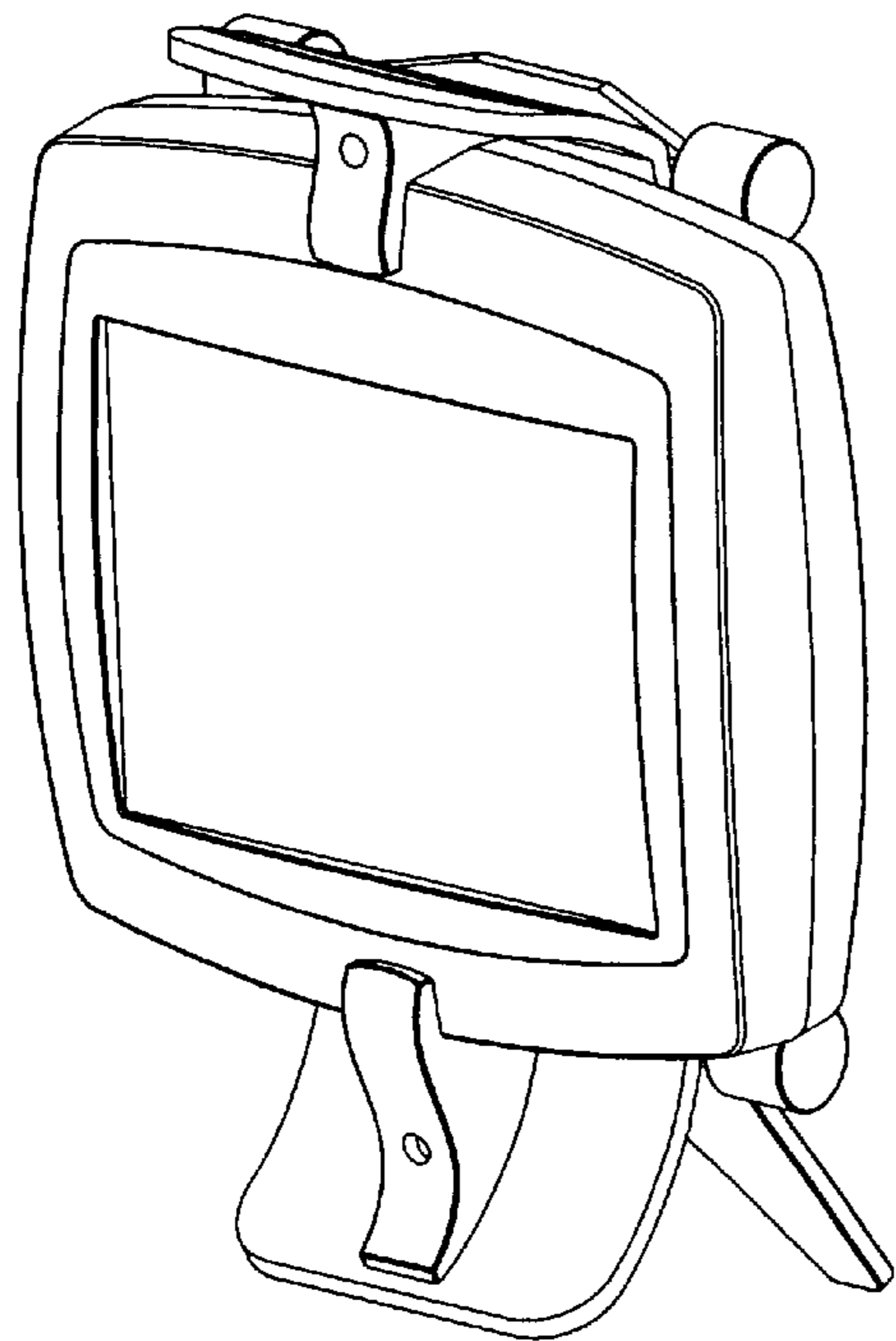
FIG. 4 is a top side view thereof;

FIG. 5 is a bottom side view thereof;

FIG. 6 is a left view thereof; and,

FIG. 7 is a right view thereof.

1 Claim, 4 Drawing Sheets



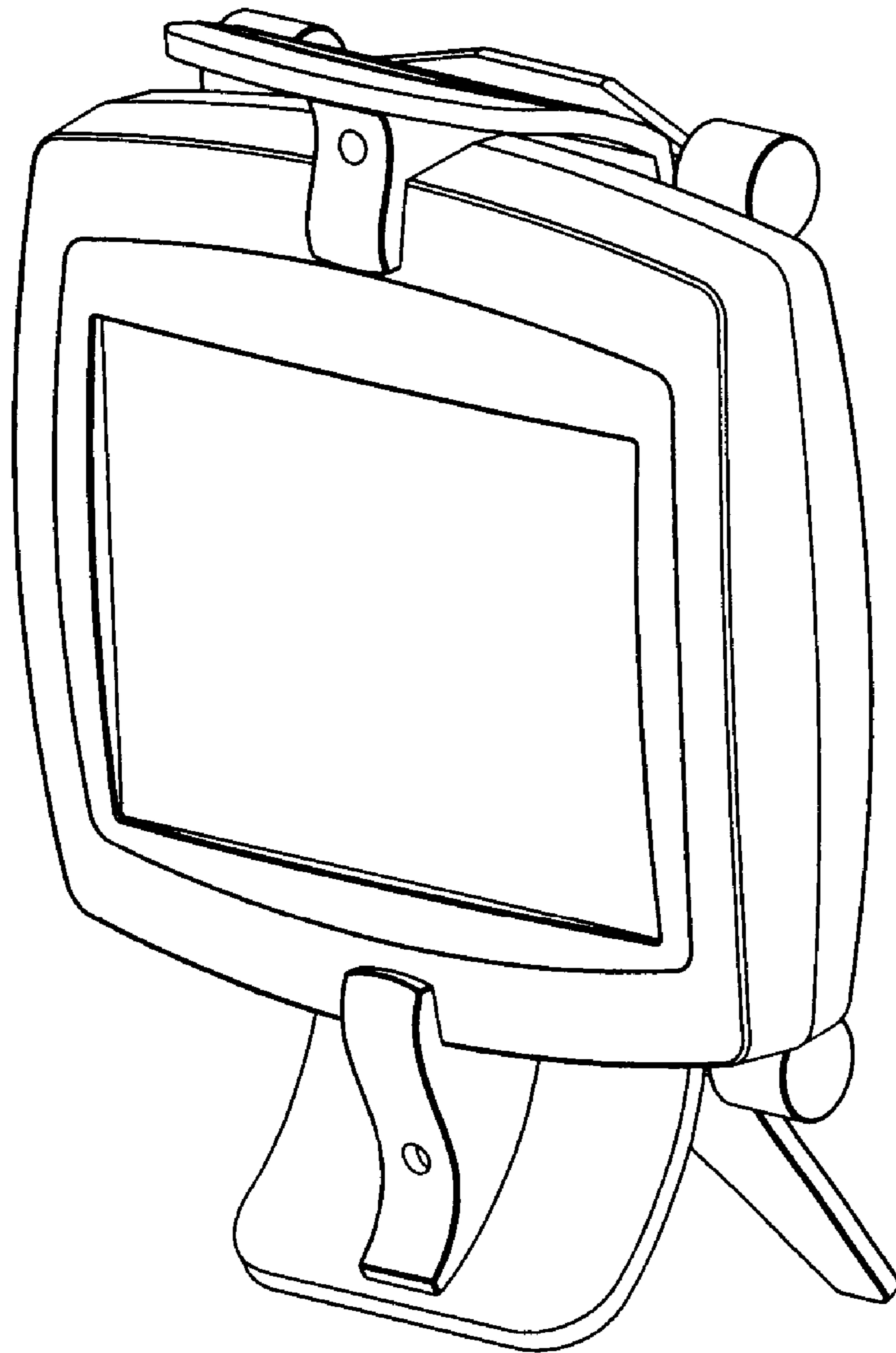


FIG. 1

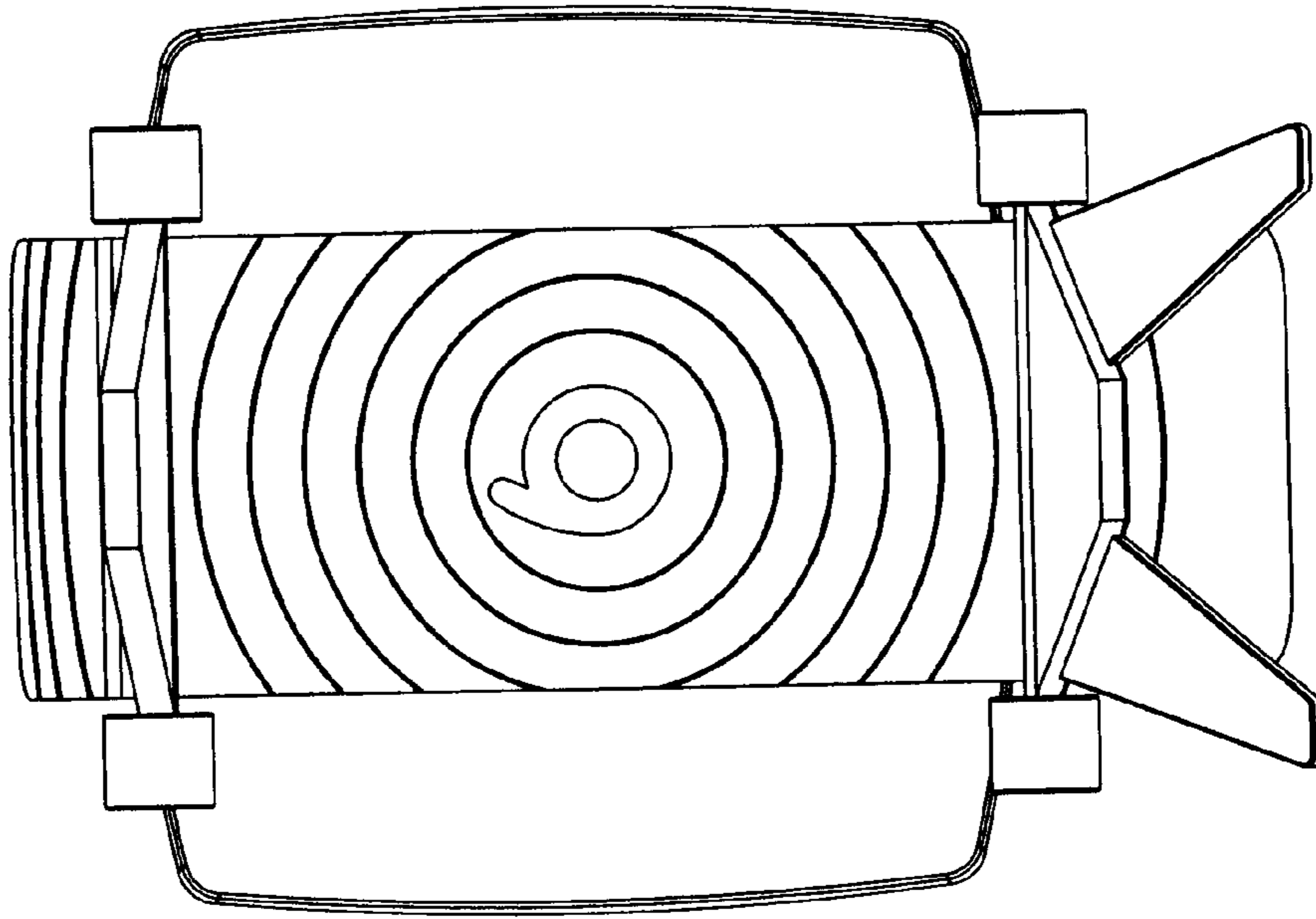


FIG. 3

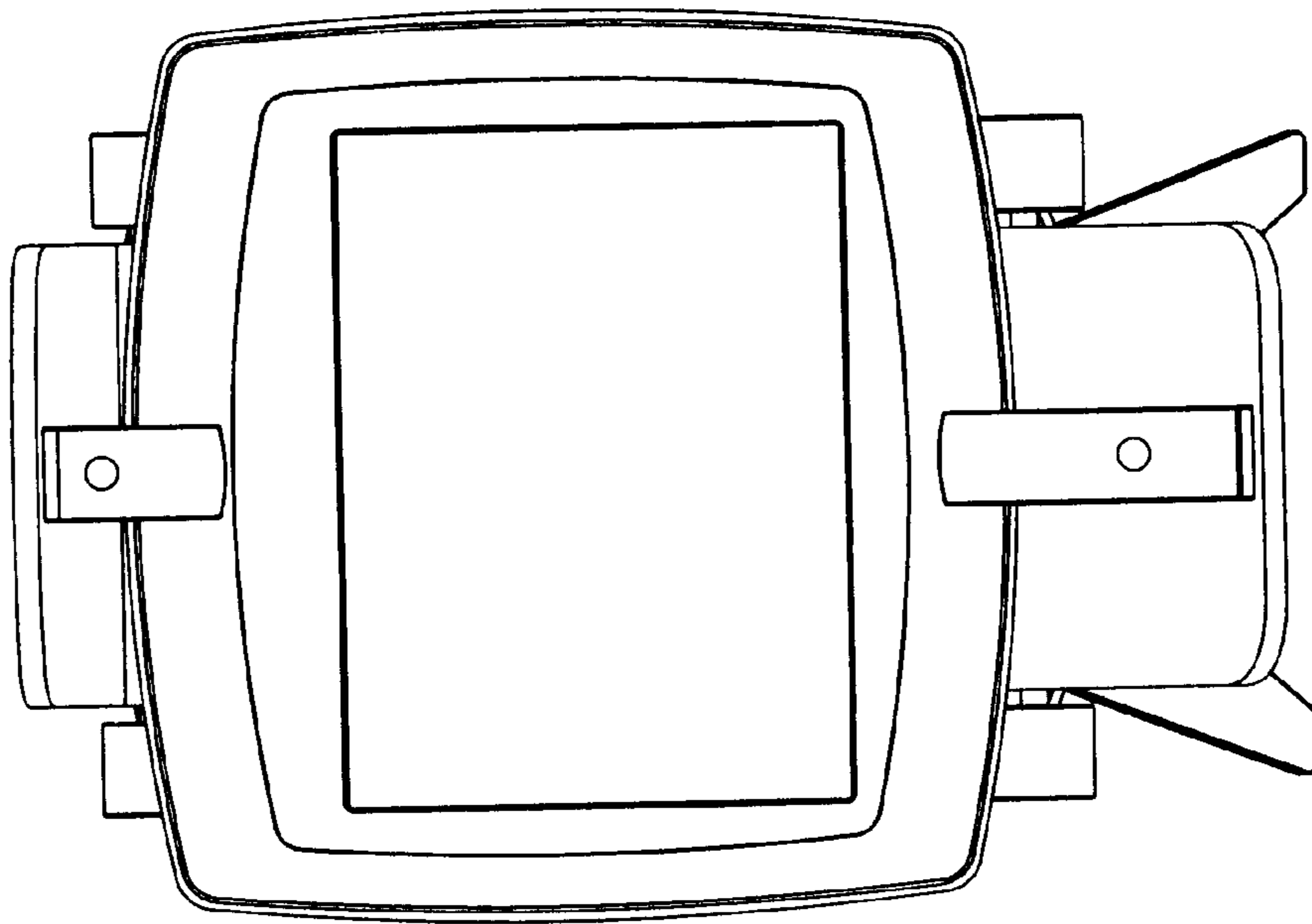


FIG. 2

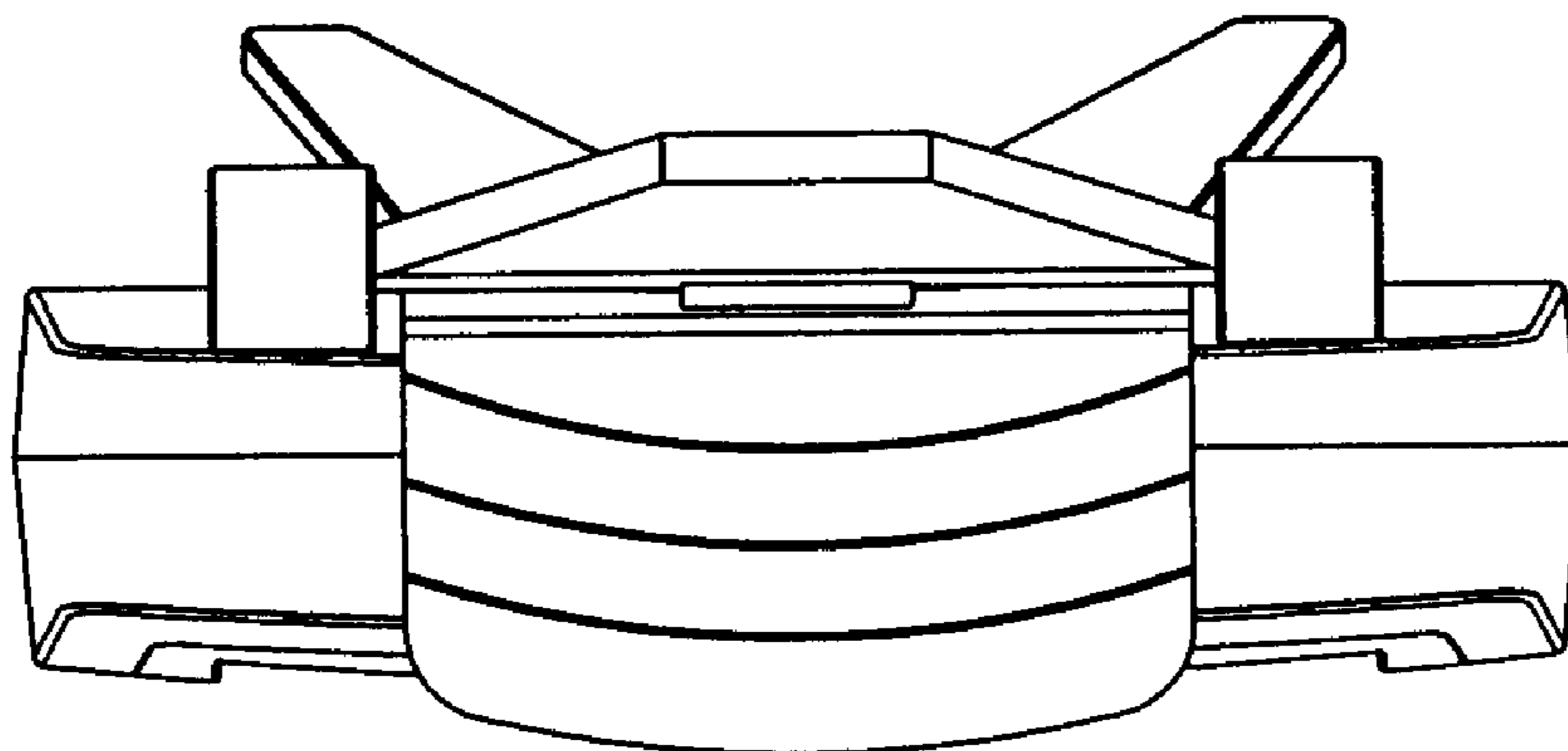


FIG. 4

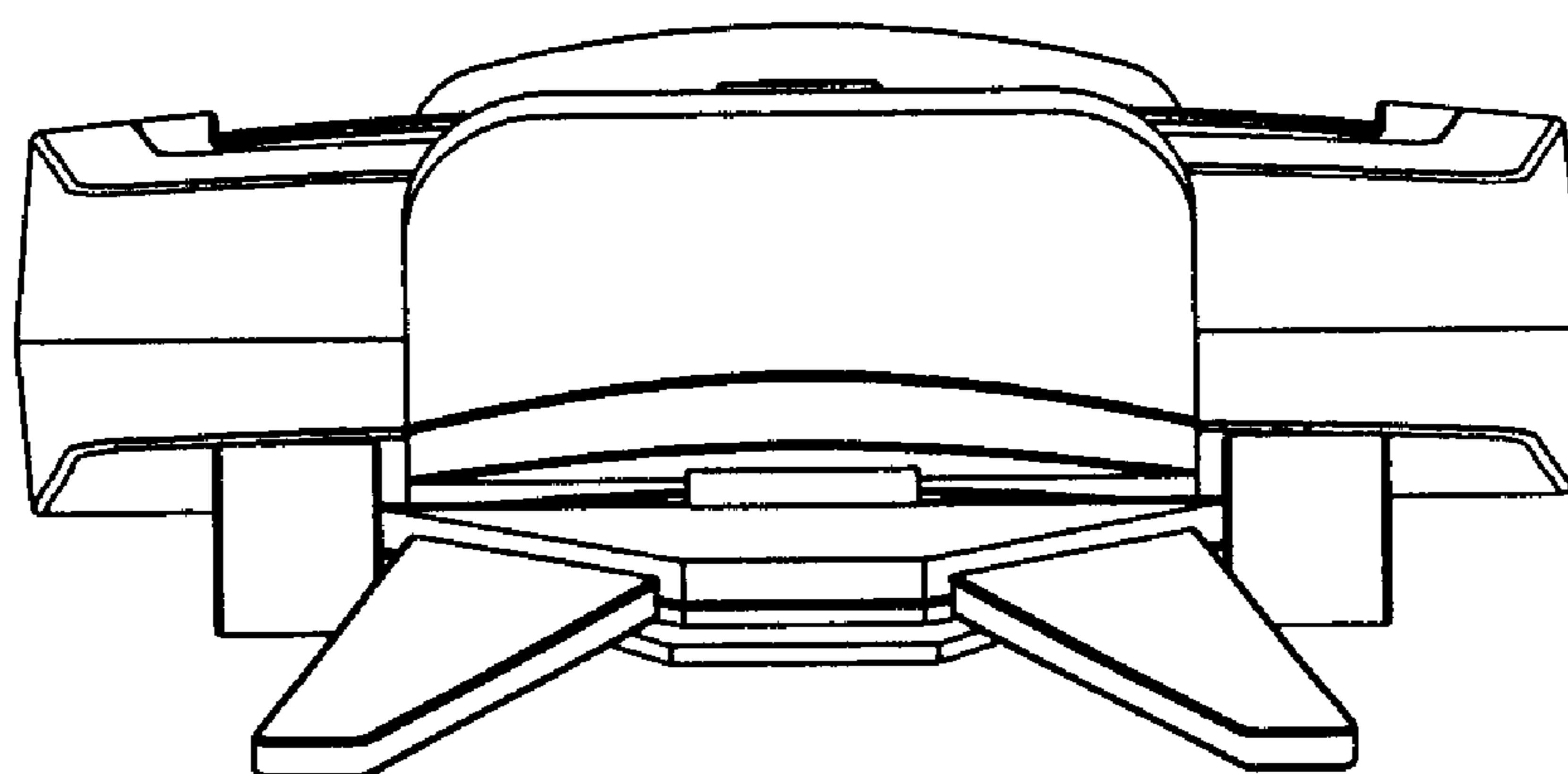


FIG. 5

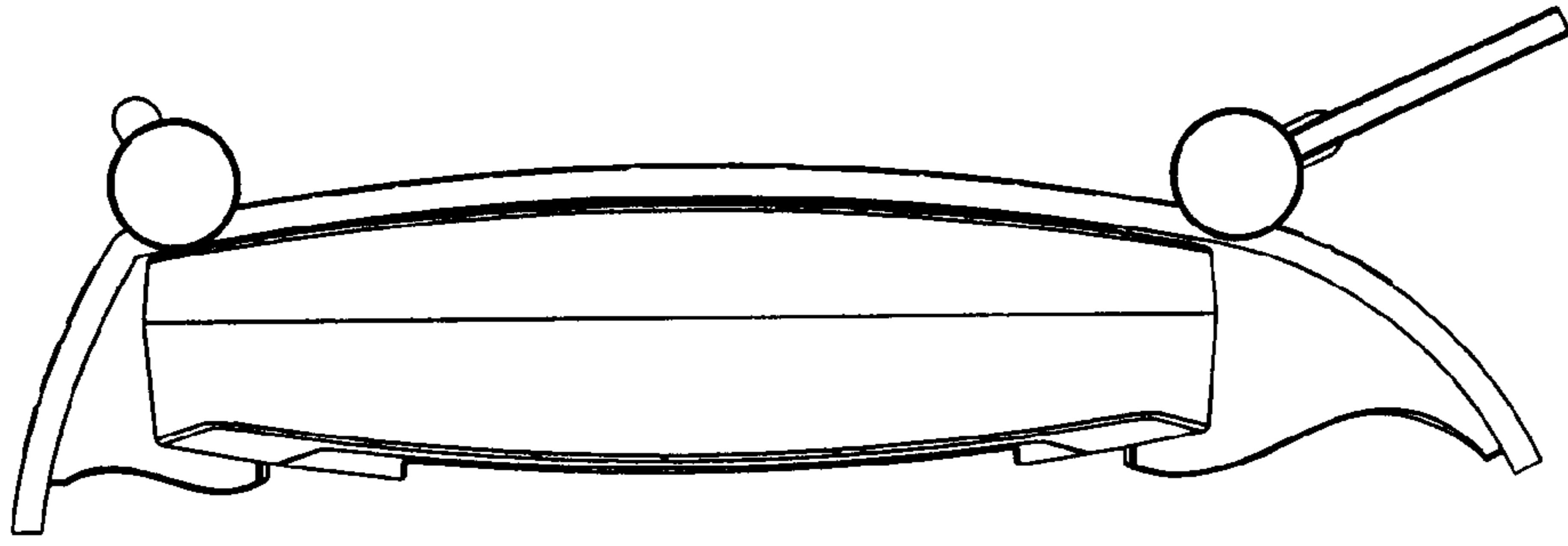


FIG. 7

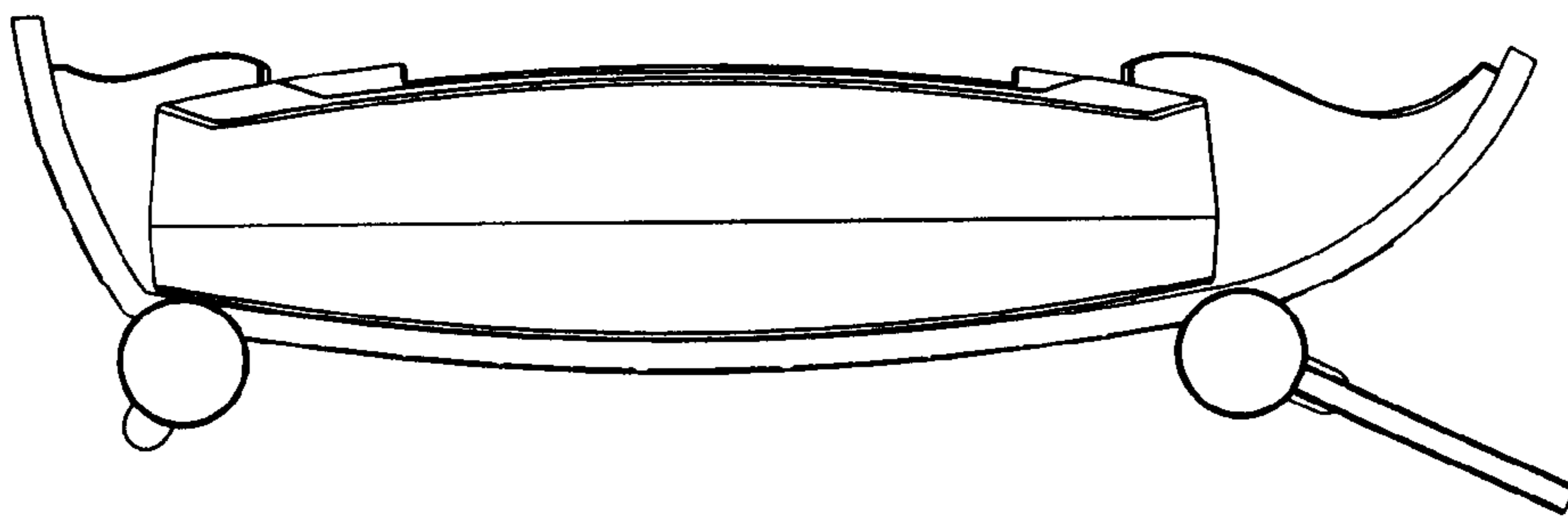


FIG. 6