



US00D529004S

(12) **United States Design Patent**
Flagiello

(10) **Patent No.:** **US D529,004 S**

(45) **Date of Patent:** **** Sep. 26, 2006**

(54) **TELEVISION SET**

(75) **Inventor:** **Caroline Flagiello**, San Francisco, CA
(US)

(73) **Assignee:** **Hannspree Inc.**, Taipei (TW)

(**) **Term:** **14 Years**

(21) **Appl. No.:** **29/230,066**

(22) **Filed:** **May 16, 2005**

(30) **Foreign Application Priority Data**

Dec. 24, 2004 (TW) 93308114

(51) **LOC (8) Cl.** **14-03**

(52) **U.S. Cl.** **D14/126**

(58) **Field of Classification Search** D14/125-134,
D14/239, 371, 136, 374-377; 312/7.2; 348/836,
348/838, 180, 184, 325, 739; 341/12; 248/917-924,
248/465; 345/104, 133, 156, 168, 87, 173;
720/605, 669, 600, 655; 369/99, 197; 455/344-347
See application file for complete search history.

(56) **References Cited**

U.S. PATENT DOCUMENTS

D357,468 S * 4/1995 Rodd D14/375

D408,383 S * 4/1999 Carter et al. D14/374
D431,565 S * 10/2000 Lin et al. D14/375
D453,509 S * 2/2002 Kazamaki D14/336
D458,257 S * 6/2002 Rosen et al. D14/375

* cited by examiner

Primary Examiner—Raphael Barkai

(74) *Attorney, Agent, or Firm*—Thomas, Kayden,
Horstemeyer & Risley

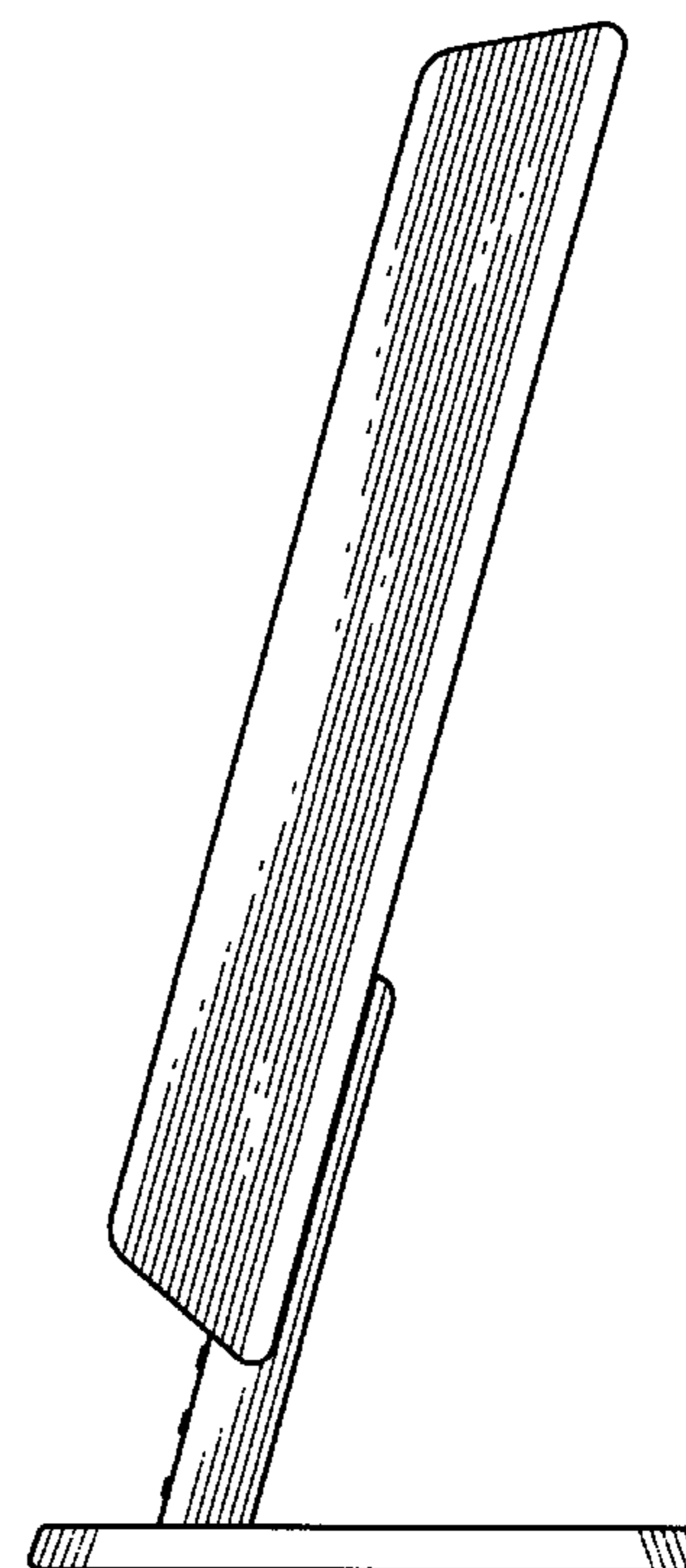
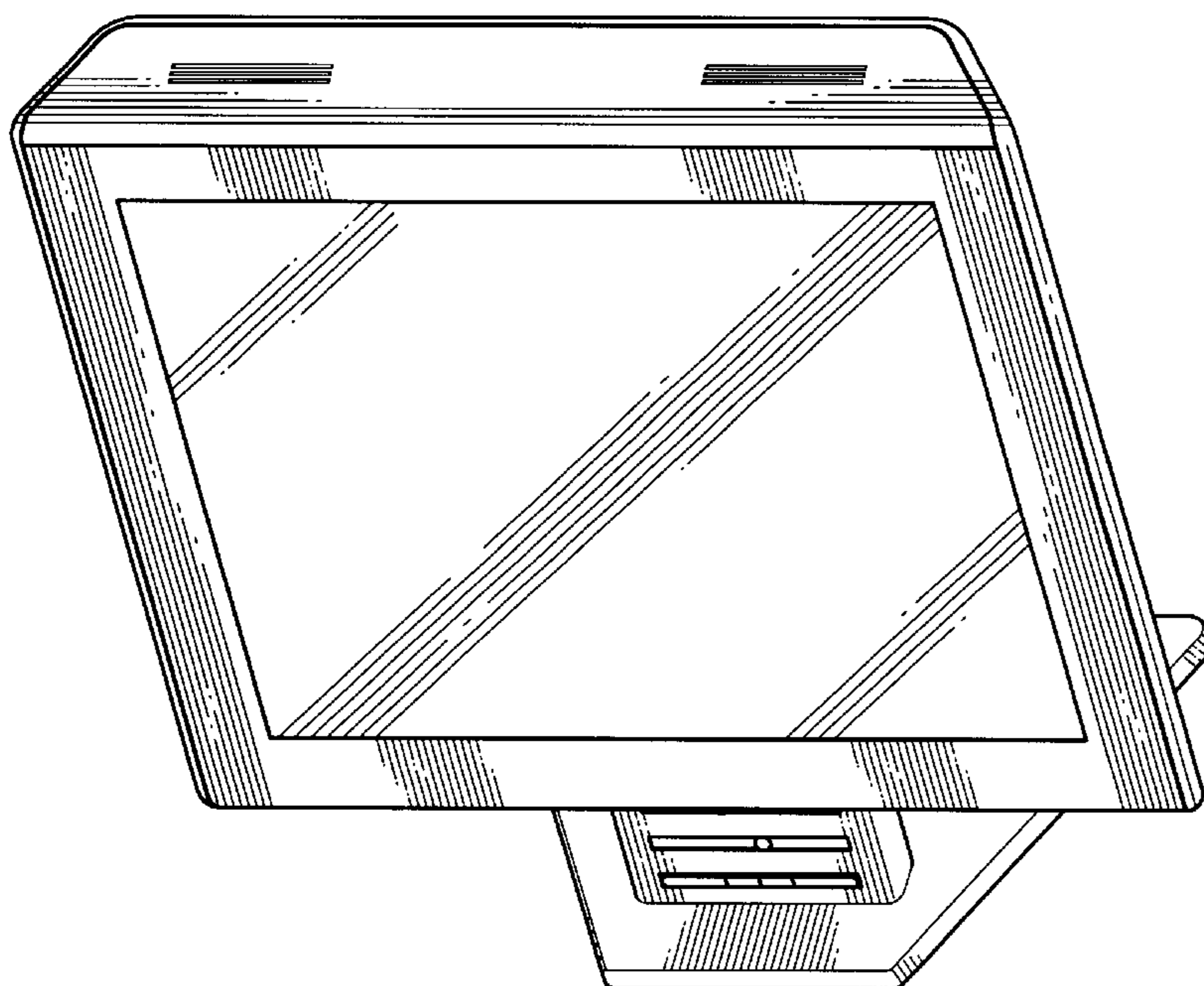
(57) **CLAIM**

The ornamental design for a television set, as shown and described.

DESCRIPTION

FIG. 1 is a front perspective view thereof;
FIG. 2 is a front elevational view thereof;
FIG. 3 is a rear elevational view thereof;
FIG. 4 is a left side elevational view thereof;
FIG. 5 is a right side elevational view thereof;
FIG. 6 is a top plan view thereof; and,
FIG. 7 is a bottom plan view thereof.

1 Claim, 6 Drawing Sheets



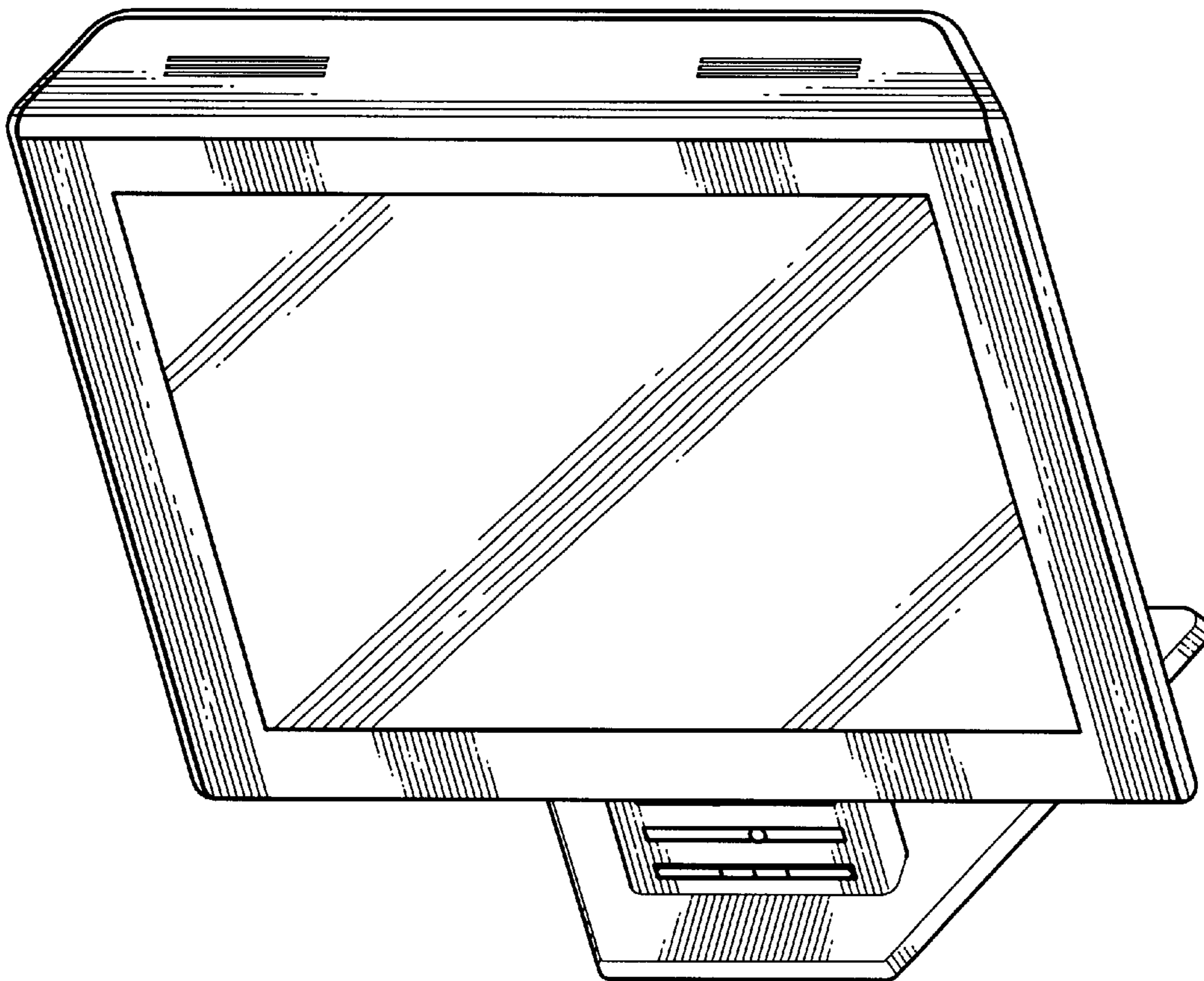


FIG. 1

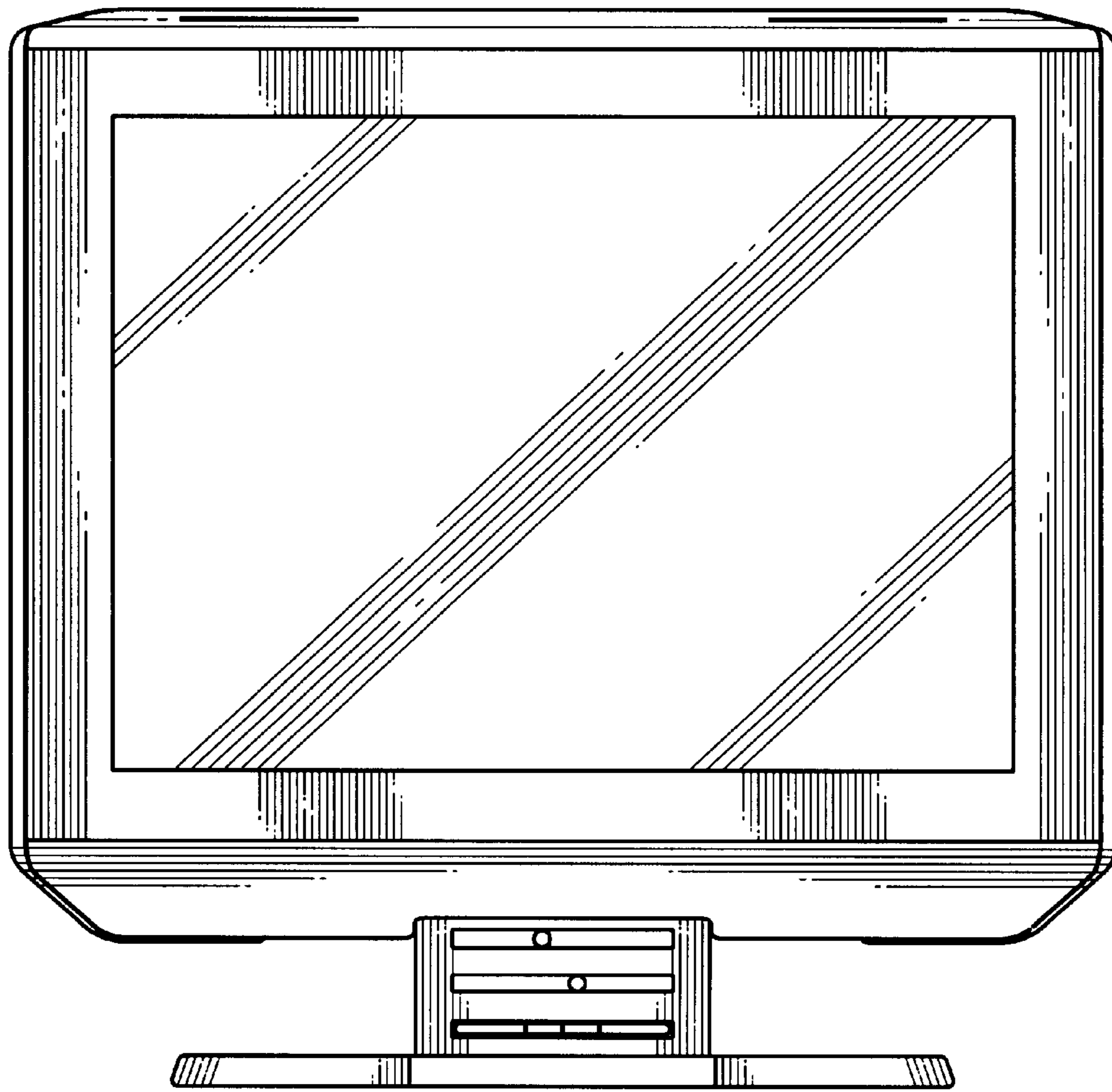


FIG. 2

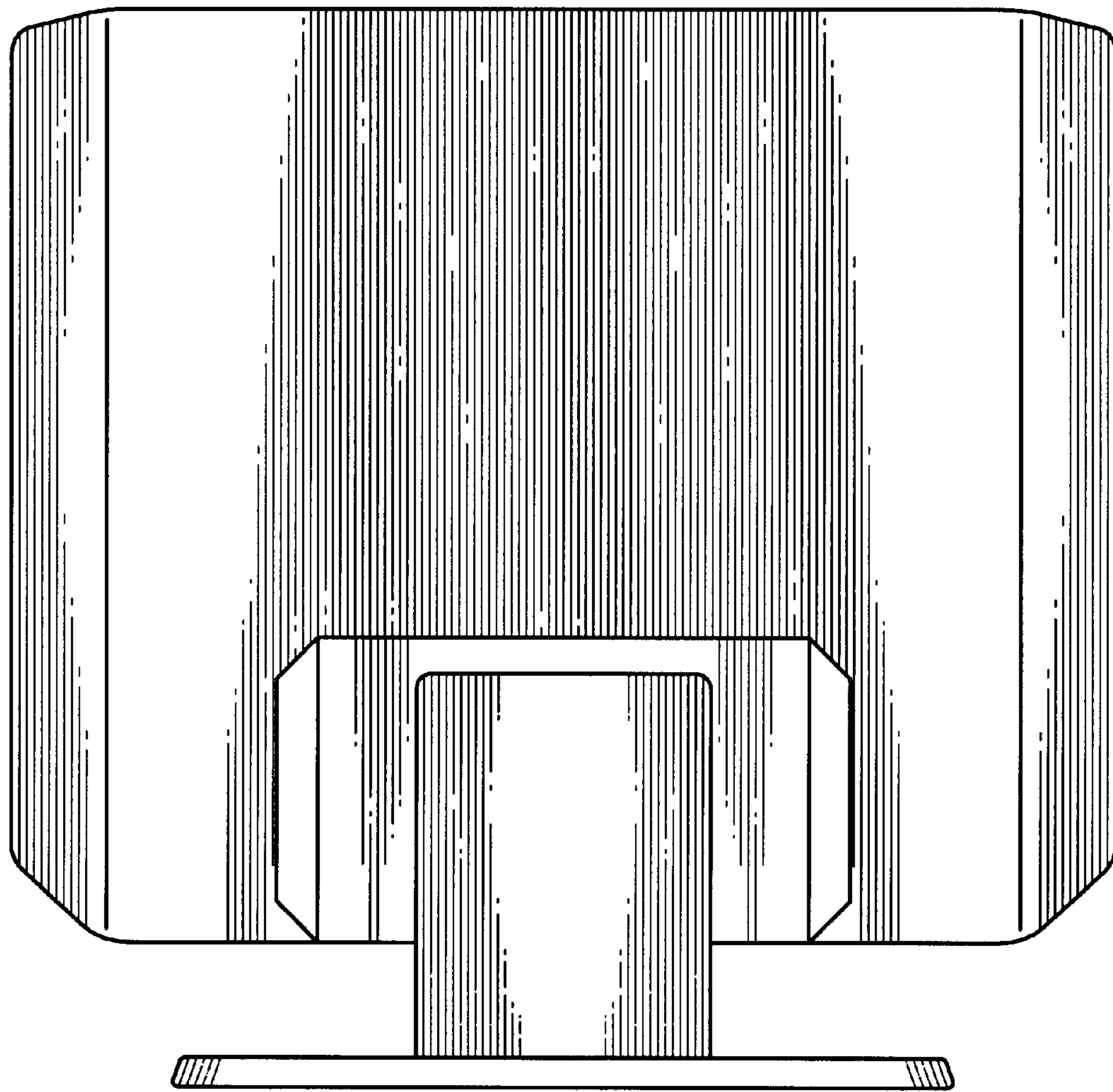


FIG. 3

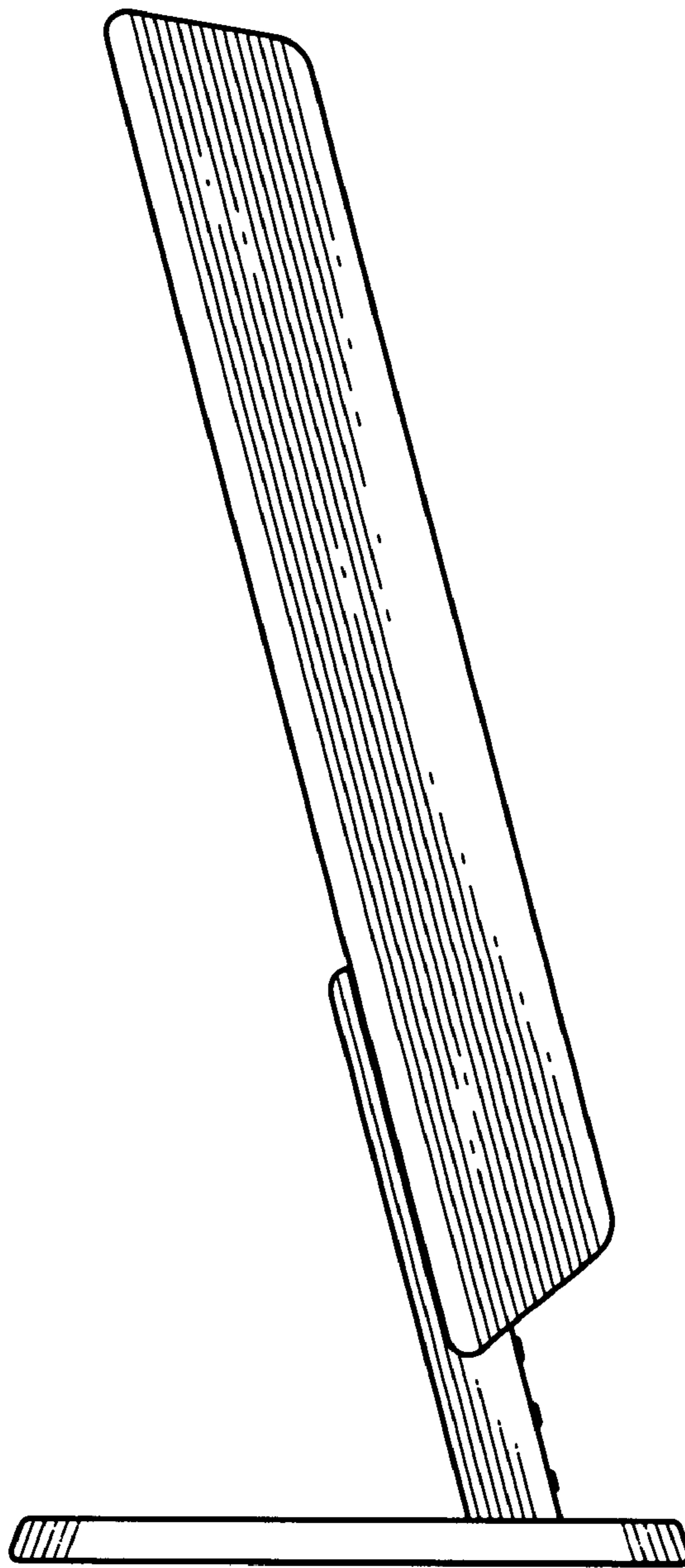


FIG. 4

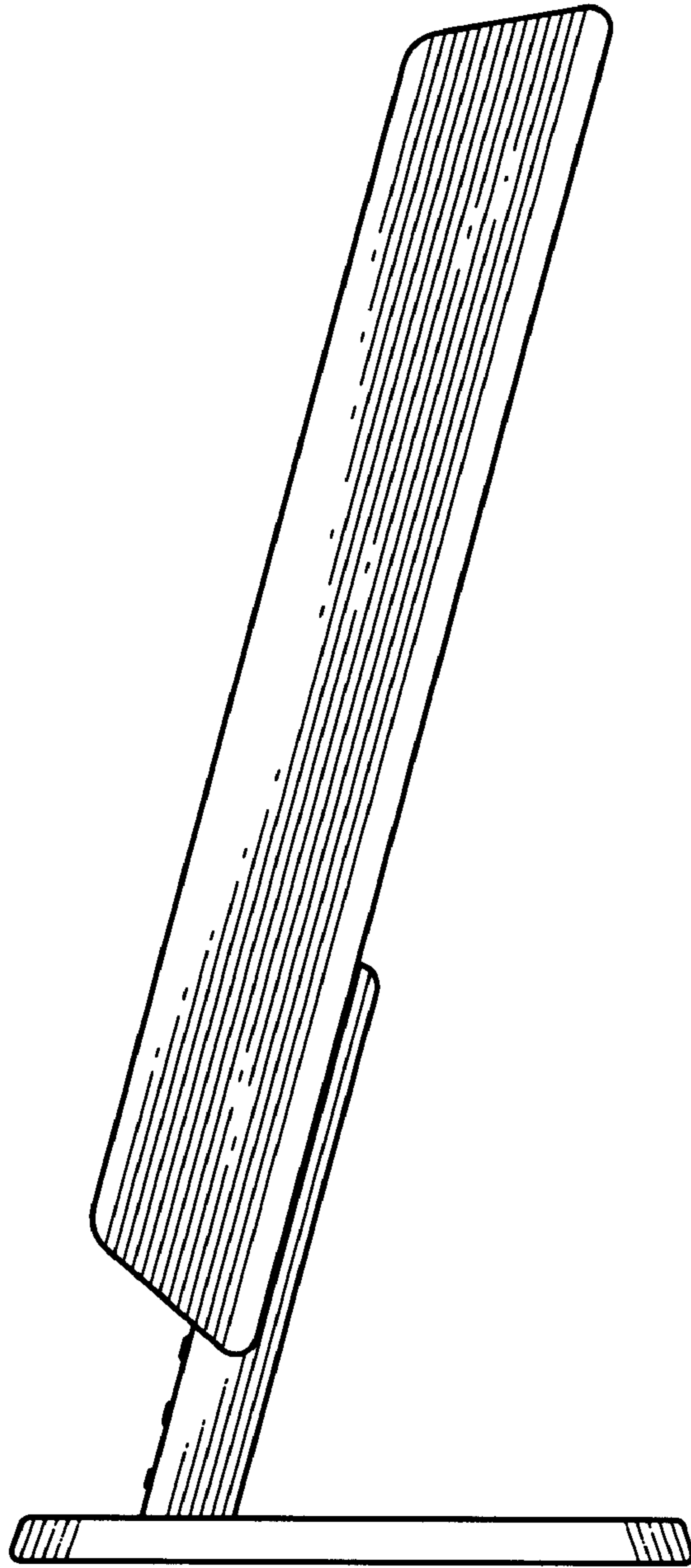


FIG. 5

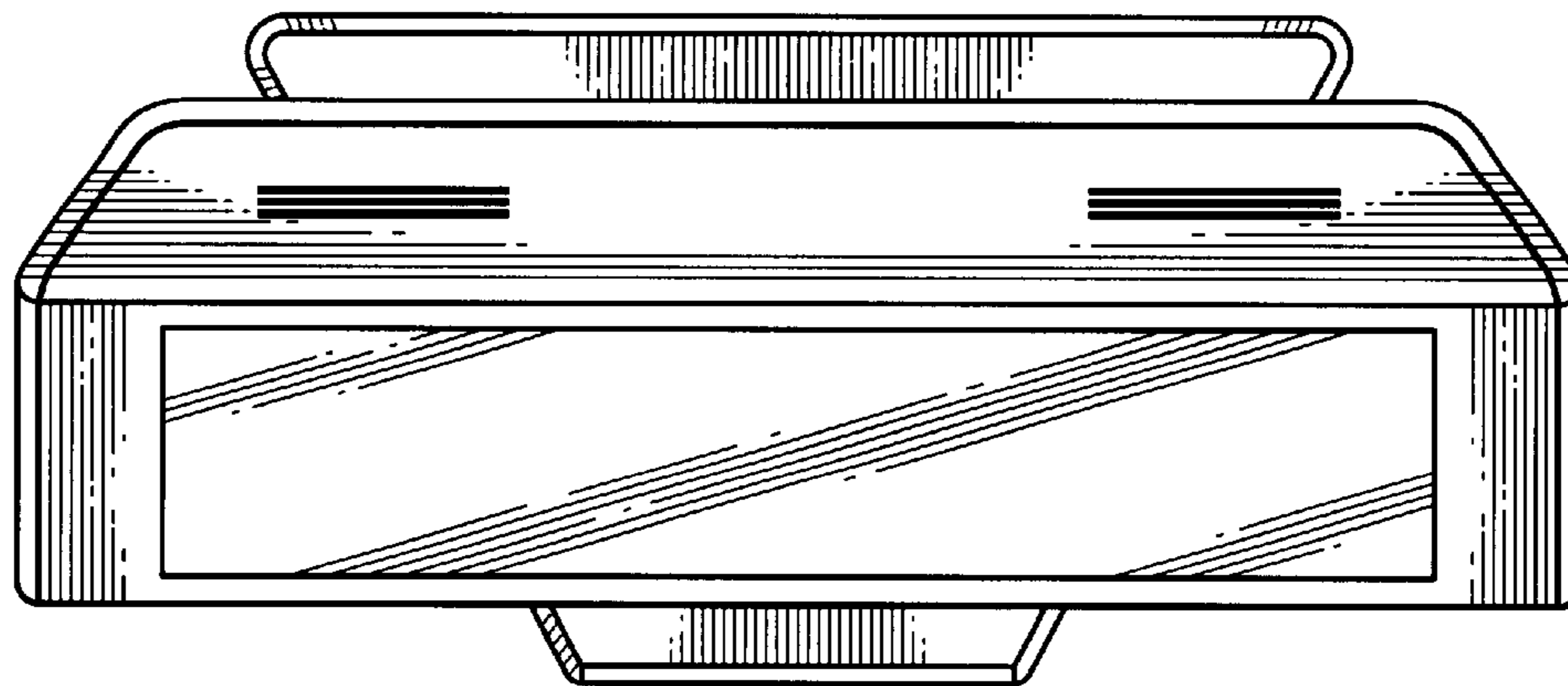


FIG. 6

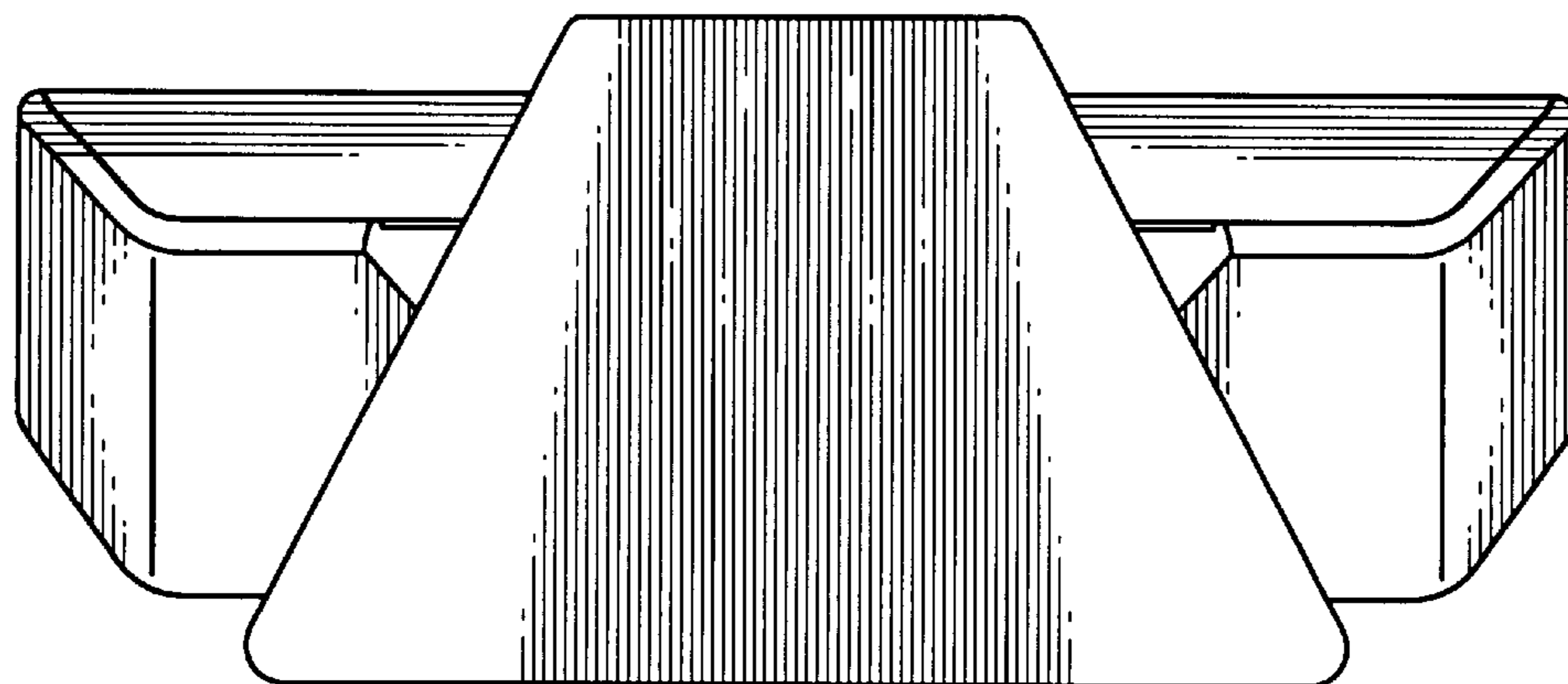


FIG. 7