



US00D528997S

(12) **United States Design Patent**
Jung et al.

(10) **Patent No.:** **US D528,997 S**

(45) **Date of Patent:** **** Sep. 26, 2006**

(54) **LIGHT EMITTING DIODE (LED)**

(75) Inventors: **Jung Hwa Jung**, Seoul (KR); **Jung Hoo Seo**, Seoul (KR); **Do Hyung Kim**, Suwon-si (KR)

(73) Assignee: **Seoul Semiconductor Co. Ltd.** (KR)

(**) Term: **14 Years**

(21) Appl. No.: **29/237,082**

(22) Filed: **Aug. 24, 2005**

(30) **Foreign Application Priority Data**

Mar. 13, 2005 (KR) 30-2005-0010614

(51) **LOC (8) Cl.** **13-03**

(52) **U.S. Cl.** **D13/180**

(58) **Field of Classification Search** D13/180, D13/182; D26/2; 257/79, 80, 81, 82, 88, 257/89, 95, 98, 99, 100, 433, 434, 666, 676, 257/678, 680; 313/483, 498; 361/820; 362/235, 362/555, 800; 372/45.01; 438/27, 123
See application file for complete search history.

(56) **References Cited**

U.S. PATENT DOCUMENTS

5,040,868 A * 8/1991 Waitl et al. 385/33
D432,095 S * 10/2000 Seeger et al. D13/182
6,274,890 B1 * 8/2001 Oshio et al. 257/98

6,335,548 B1 * 1/2002 Roberts et al. 257/98
D477,580 S * 7/2003 Kamada D13/182
6,624,491 B1 * 9/2003 Waitl et al. 257/434
6,914,267 B1 * 7/2005 Fukasawa et al. 257/98
2006/0071222 A1 * 4/2006 Yatsuda et al. 257/90

* cited by examiner

Primary Examiner—Selina Sikder

(74) *Attorney, Agent, or Firm*—Townsend and Townsend and Crew LLP

(57) **CLAIM**

The ornamental design for light emitting diode (LED), as shown and described.

DESCRIPTION

FIG. 1 is a perspective view of a light emitting diode (LED) showing my new design;
FIG. 2 is a front elevational view, the rear elevational view being a mirror image thereof;
FIG. 3 is a rear elevational view, the front elevational view being a mirror image thereof;
FIG. 4 is a left side elevational view, the right side elevational view being a mirror image thereof;
FIG. 5 is a right side elevational view, the left side elevational view being a mirror image thereof;
FIG. 6 is a top plan view thereof; and,
FIG. 7 is a bottom plan view thereof.

1 Claim, 3 Drawing Sheets

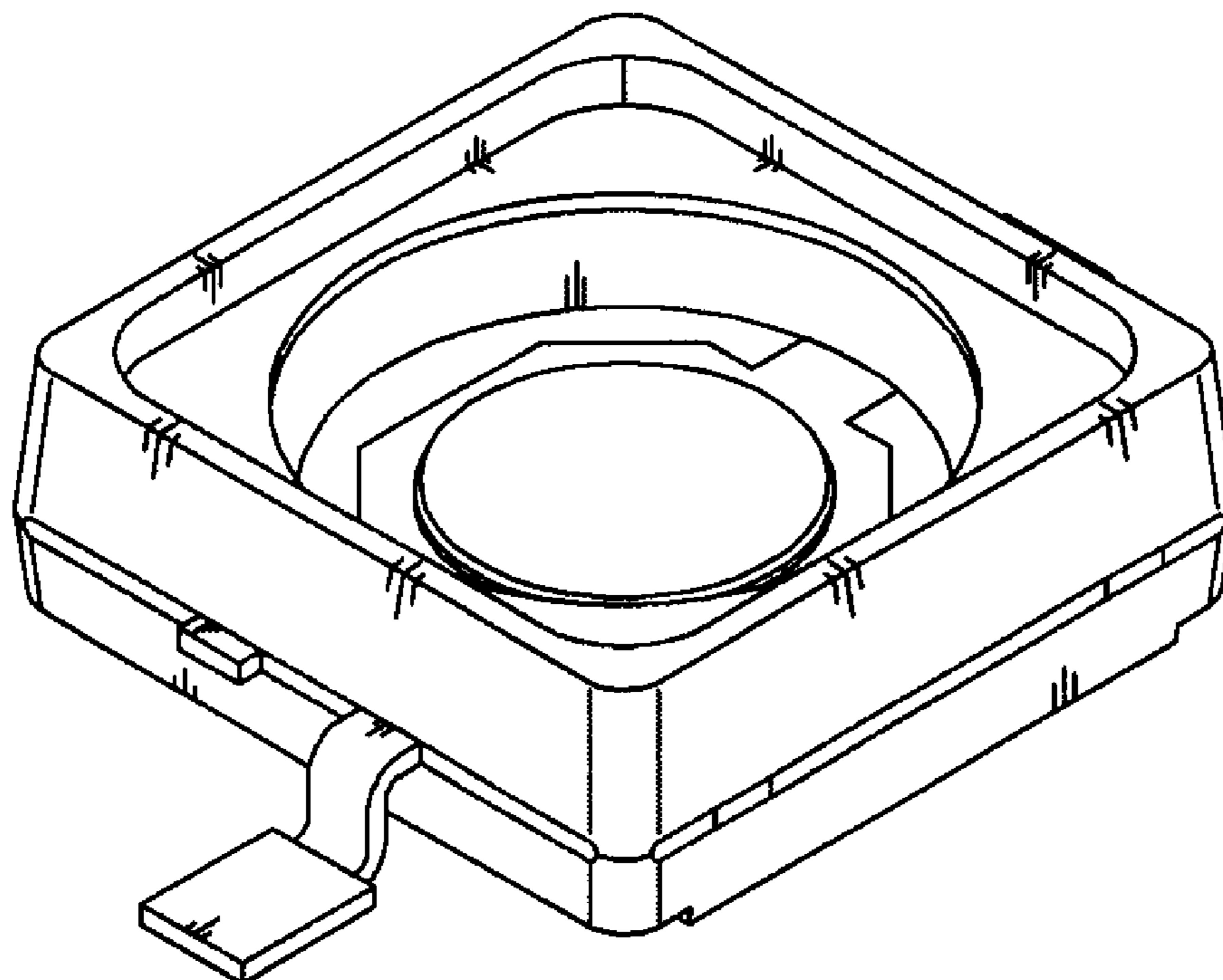


FIG 1

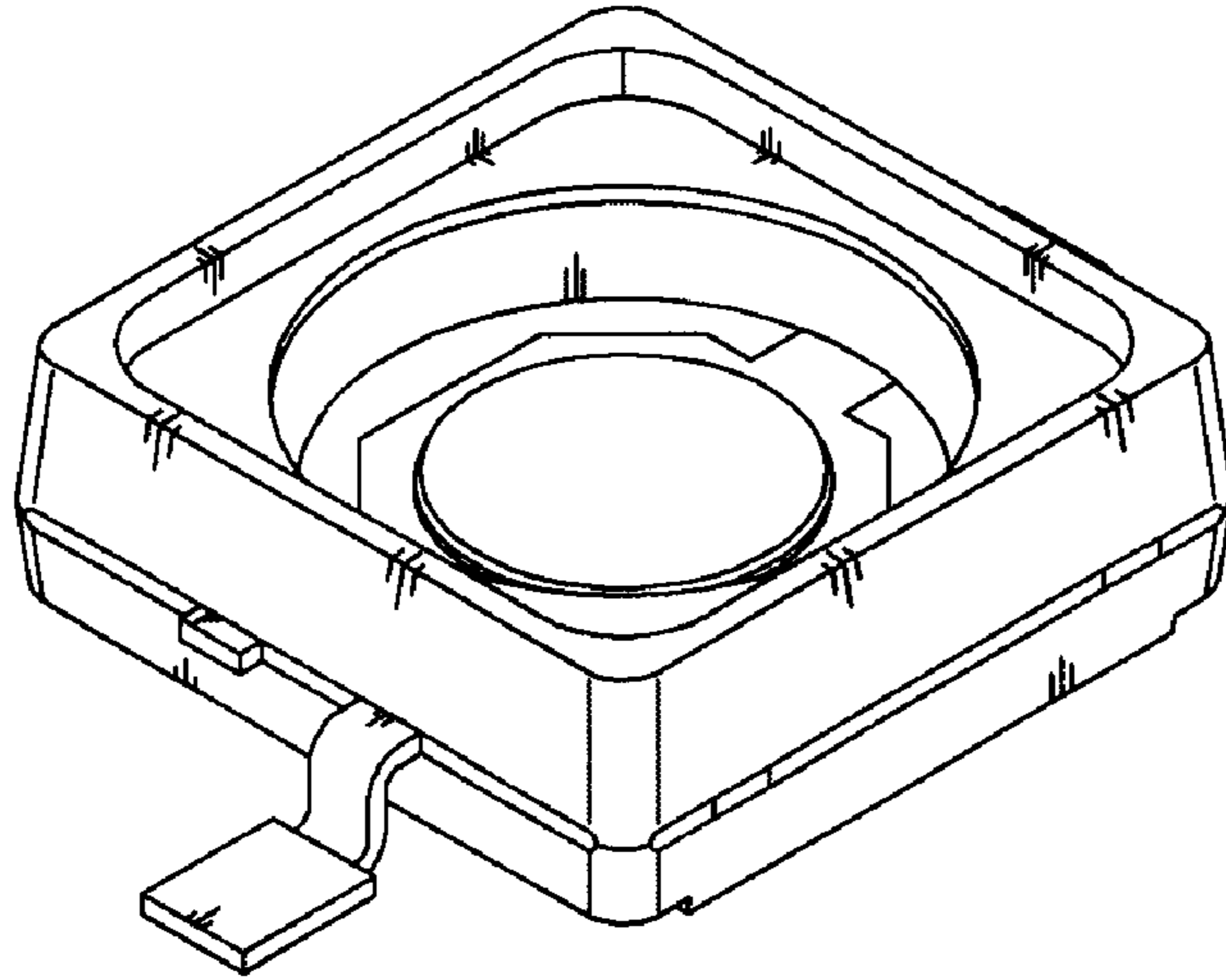


FIG 2

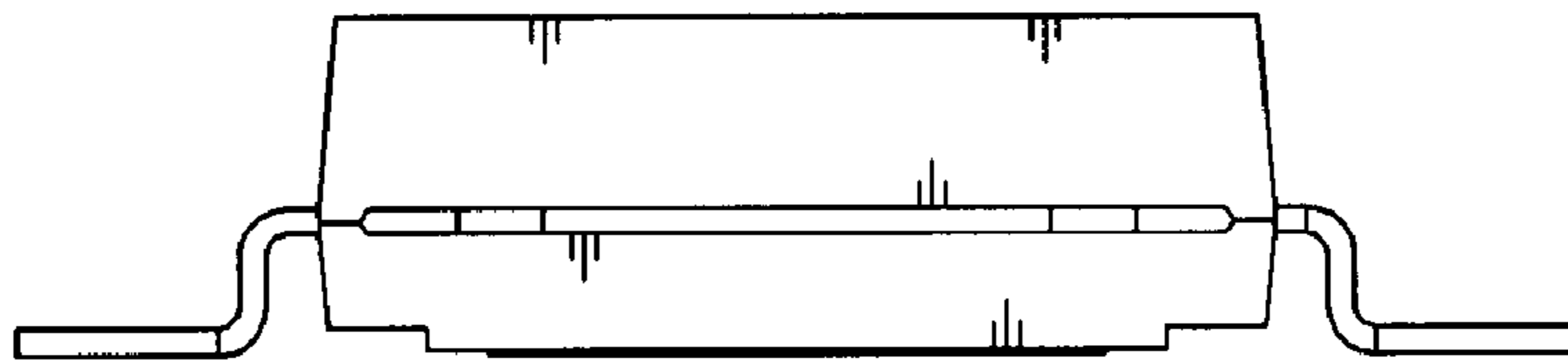


FIG 3

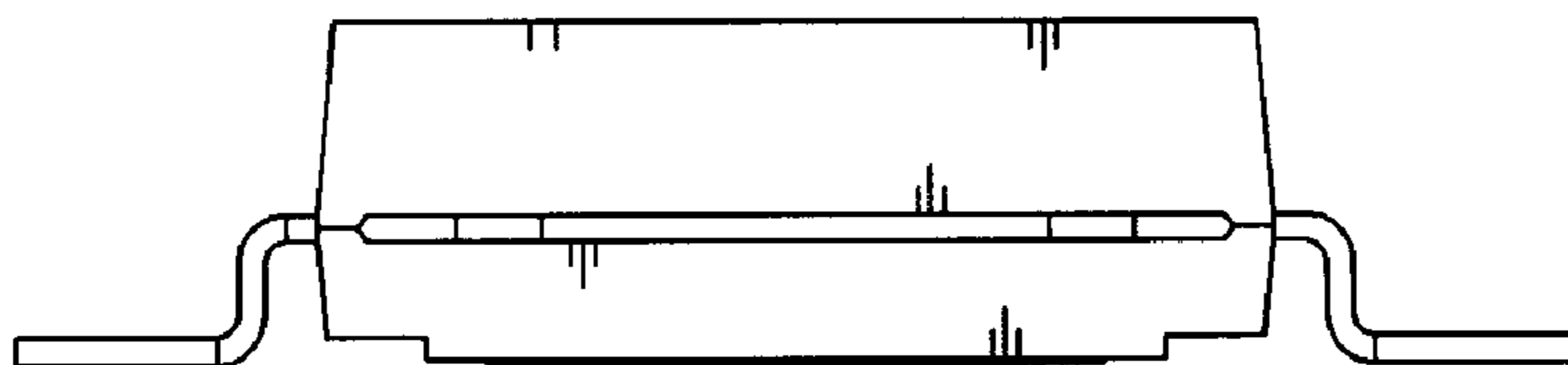


FIG 4

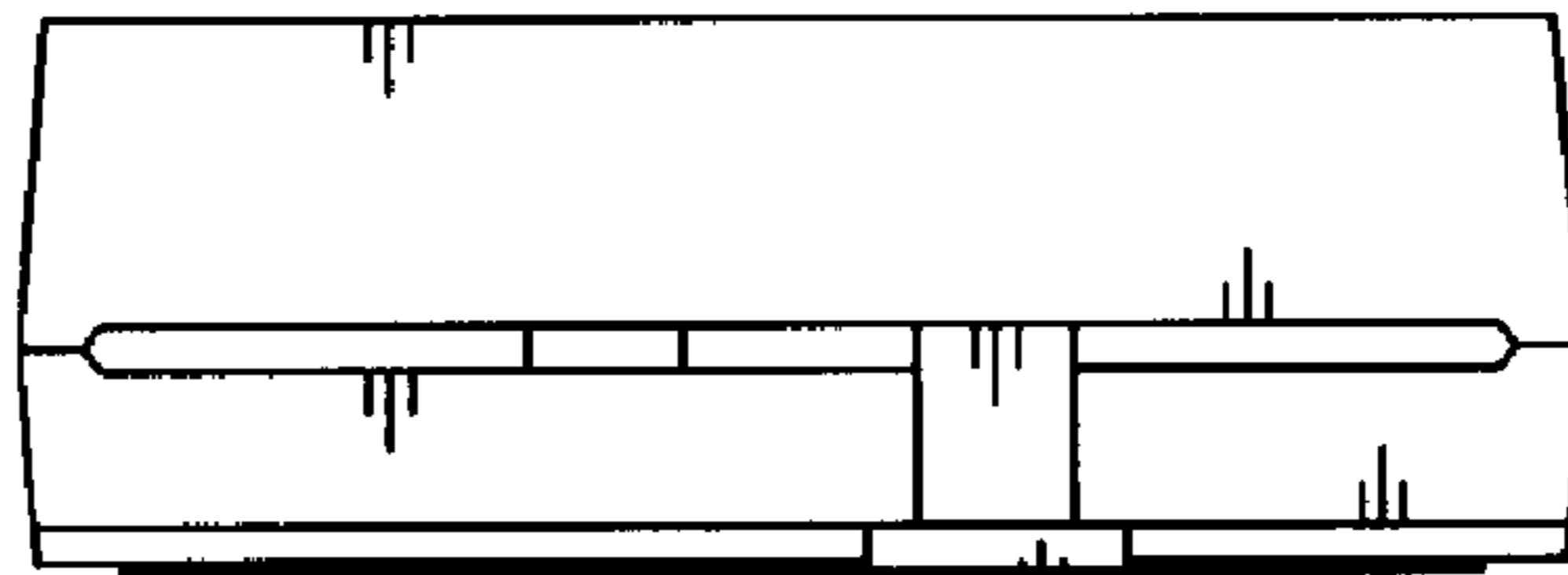


FIG 5

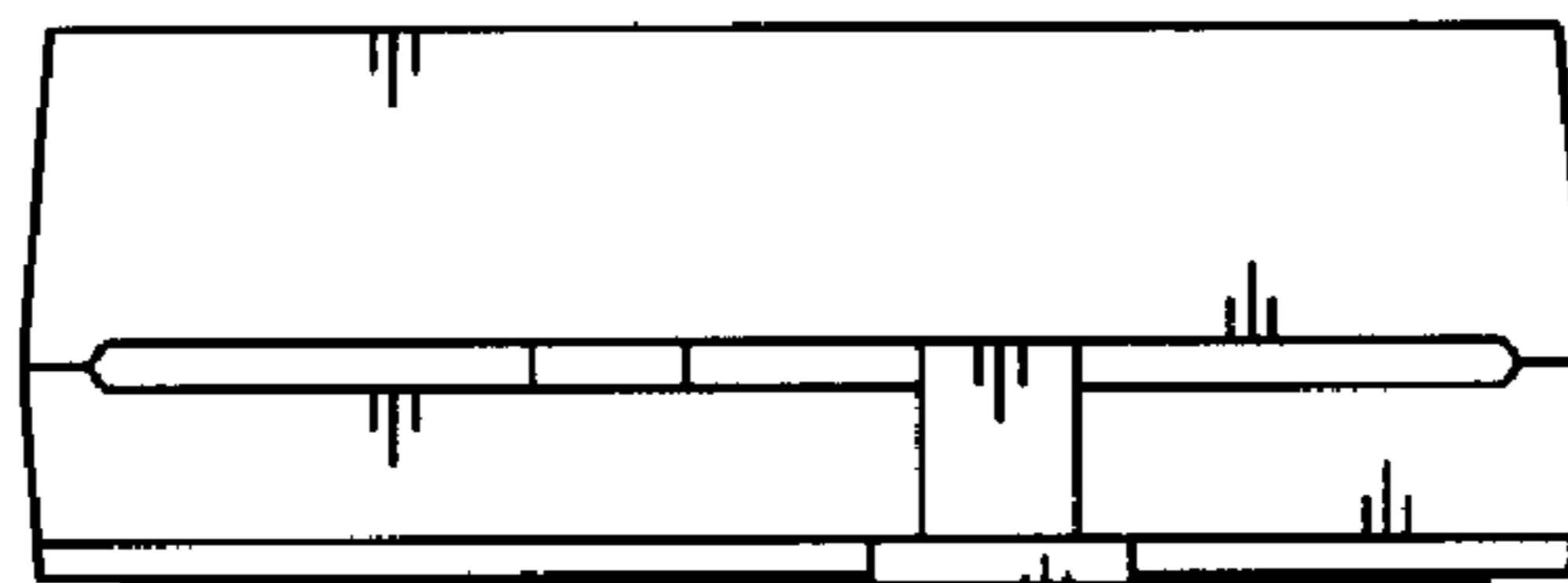


FIG 6

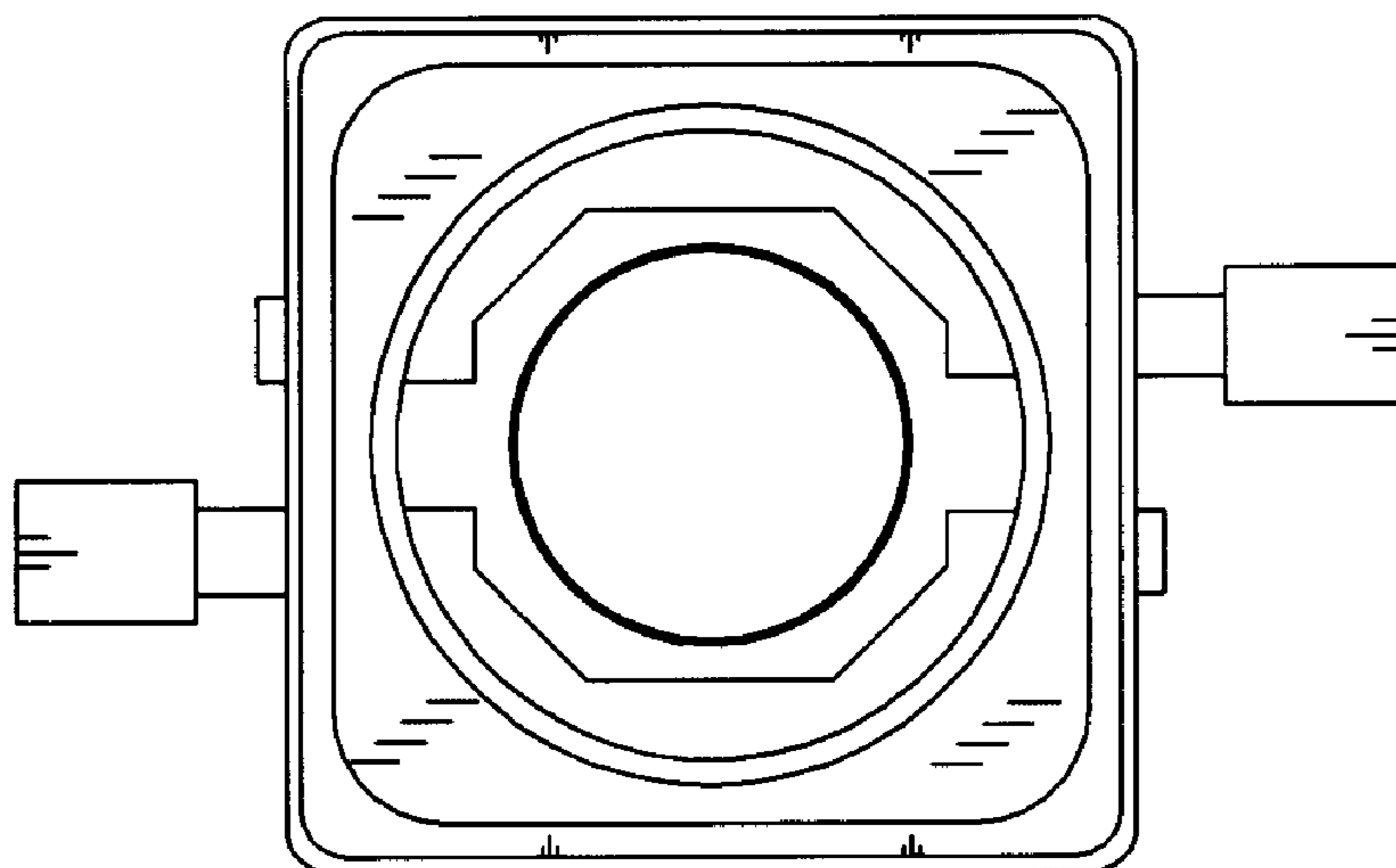


FIG 7

