

US00D528989S

(12) **United States Design Patent**  
**Dao**

(10) **Patent No.:** **US D528,989 S**  
(45) **Date of Patent:** **\*\* Sep. 26, 2006**

(54) **SIGNAL MODULE**

**DESCRIPTION**

(75) Inventor: **Davis S. Dao**, San Jose, CA (US)  
(73) Assignee: **inTEST Corporation**, Wilmington, DE (US)  
(\*\*) Term: **14 Years**  
(21) Appl. No.: **29/209,257**  
(22) Filed: **Jul. 13, 2004**  
(51) **LOC (8) Cl.** ..... **13-03**  
(52) **U.S. Cl.** ..... **D13/162; D13/164**  
(58) **Field of Classification Search** ..... D13/123, D13/158, 162, 164, 184; 324/76.12, 158.1, 324/754, 765; 361/679, 686, 728, 736, 729; 439/259, 928  
See application file for complete search history.

FIG. 1 is a perspective view of a signal module.  
FIG. 2 is a front view of the signal module illustrated in FIG. 1.  
FIG. 3 is a rear view of the signal module shown in FIG. 1.  
FIG. 4 is a left side view of the signal module illustrated in FIG. 1.  
FIG. 5 is a right side view of the signal module shown in FIG. 1.  
FIG. 6 is a top view of the signal module shown in FIG. 1.  
FIG. 7 is a bottom view of the signal module shown in FIG. 1.  
FIG. 8 is another perspective view of a signal module.  
FIG. 9 is a front view of the signal module illustrated in FIG. 8.  
FIG. 10 is a rear view of the signal module shown in FIG. 8.  
FIG. 11 is a left side view of the signal module illustrated in FIG. 8.  
FIG. 12 is a right side view of the signal module shown in FIG. 8.  
FIG. 13 is a top view of the signal module shown in FIG. 8; and,  
FIG. 14 is a bottom view of the signal module shown in FIG. 8.  
Each break in the figures along the body of the signal module indicates that the signal module can be of any length. Those breaks are provided for illustrative purposes only, and the breaks form no part of the claimed design.  
The features indicated in the figures in broken lines form no part of the claimed design.

(56) **References Cited**

**U.S. PATENT DOCUMENTS**

D314,555	S	*	2/1991	Brown et al.	.....	D13/164
6,147,877	A	*	11/2000	Strandberg et al.	.....	361/784
6,420,888	B1	*	7/2002	Griffin et al.	.....	324/754
6,686,732	B1	*	2/2004	Parrish	.....	324/158.1
6,867,578	B1	*	3/2005	Miller	.....	324/158.1
2004/0150959	A1	*	8/2004	Sullivan	.....	361/728

\* cited by examiner

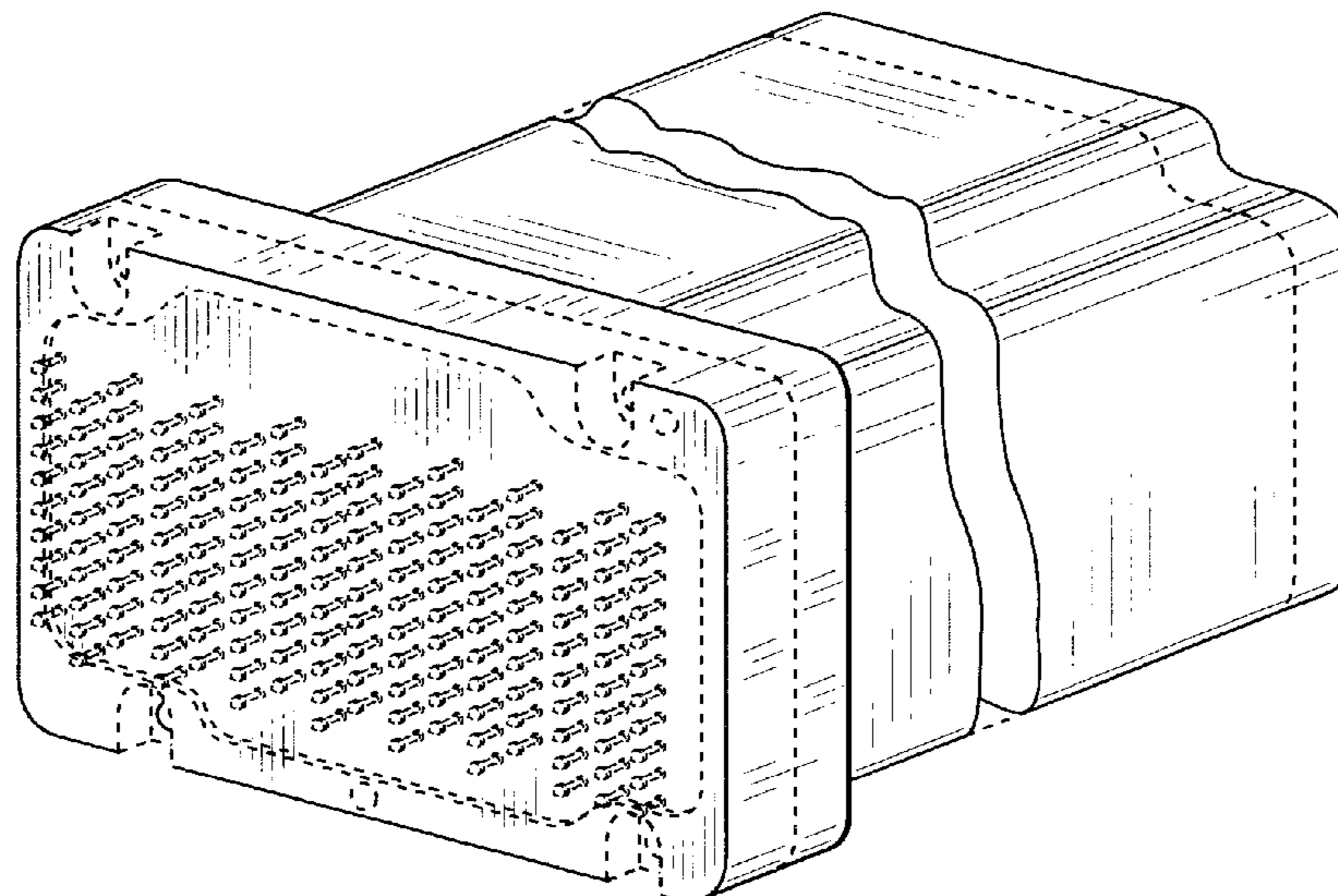
*Primary Examiner*—Selina Sikder

(74) *Attorney, Agent, or Firm*—RatnerPrestia

(57) **CLAIM**

The ornamental design for a signal module, as shown and described.

**1 Claim, 8 Drawing Sheets**



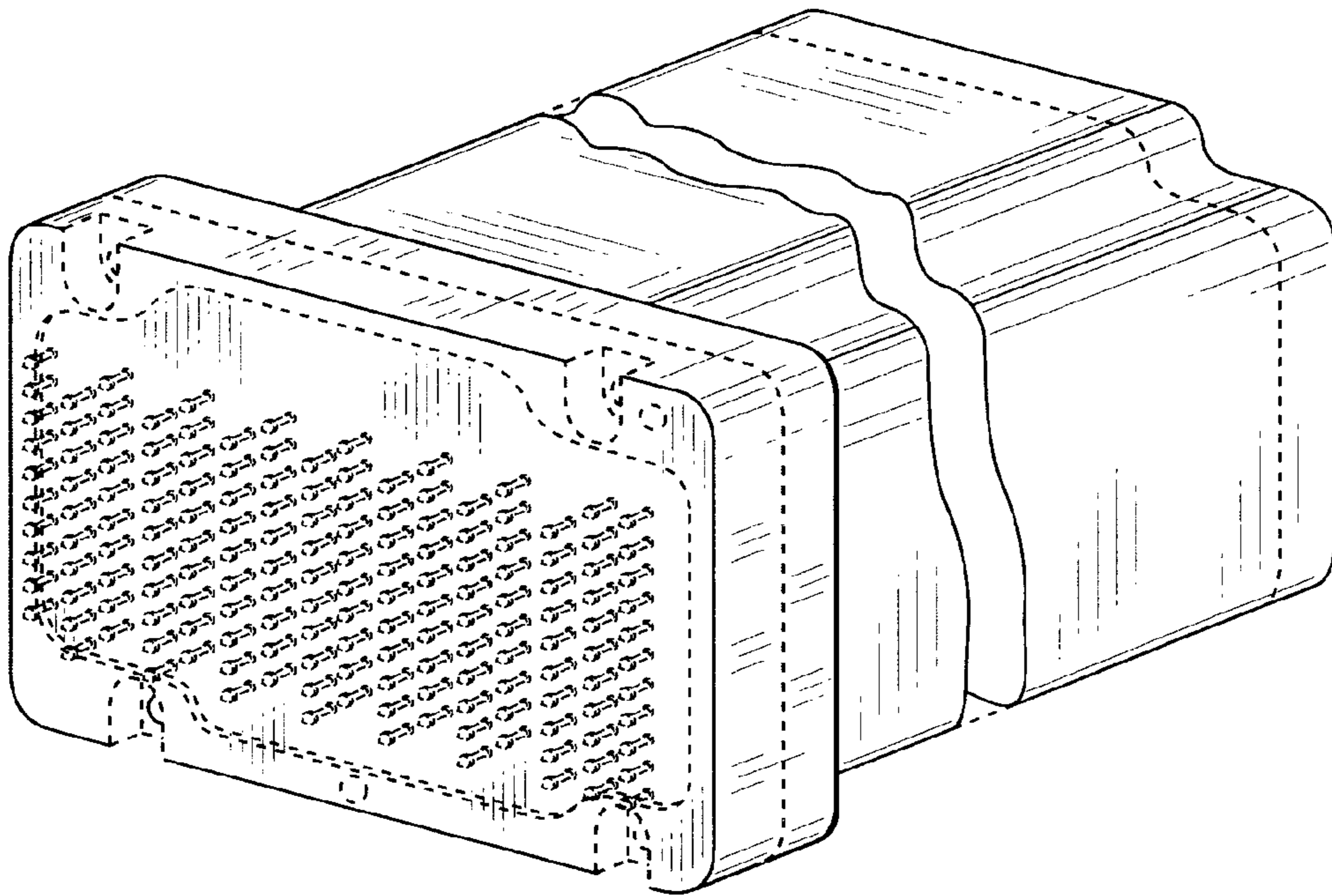


FIG. 1

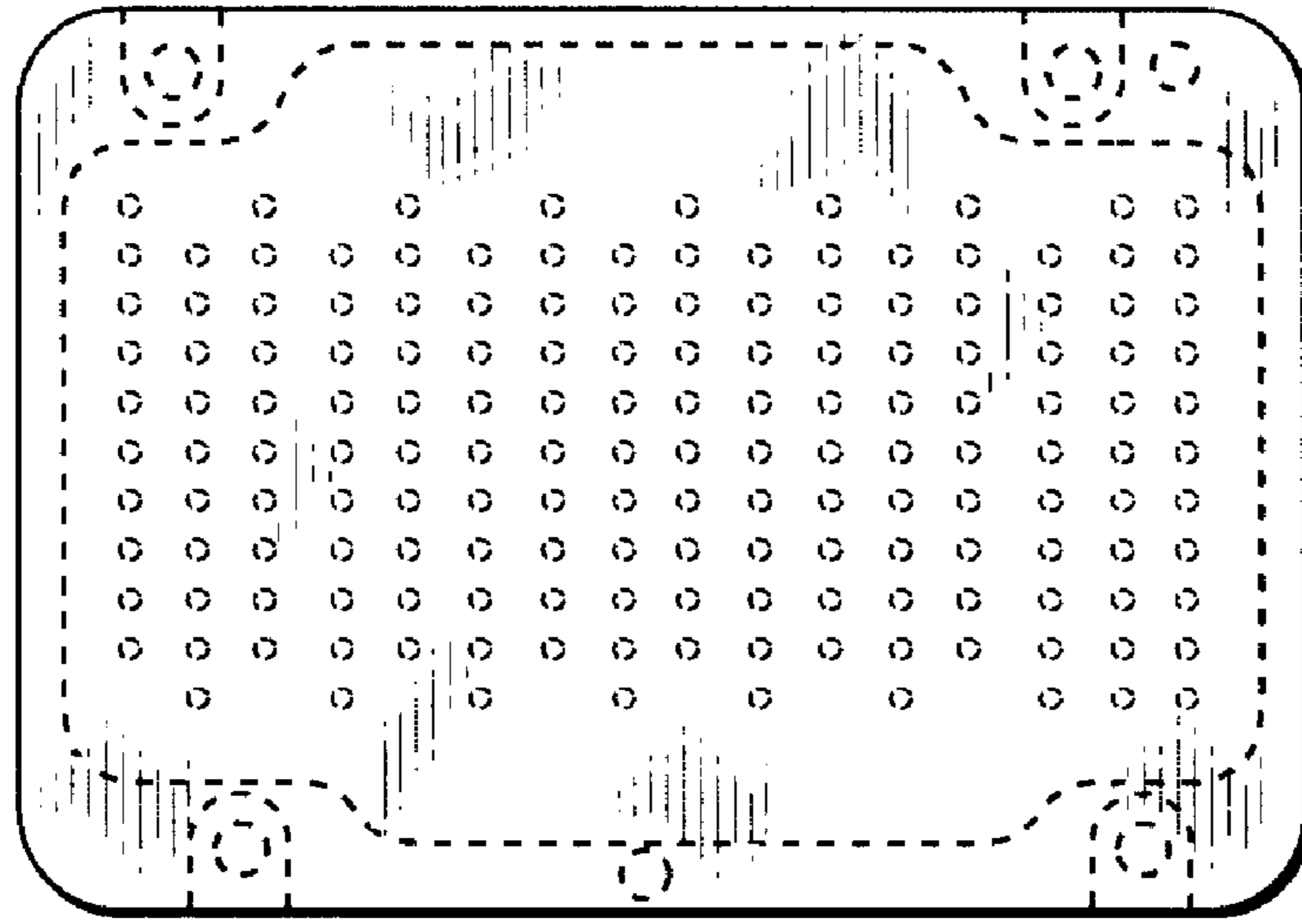


FIG. 2

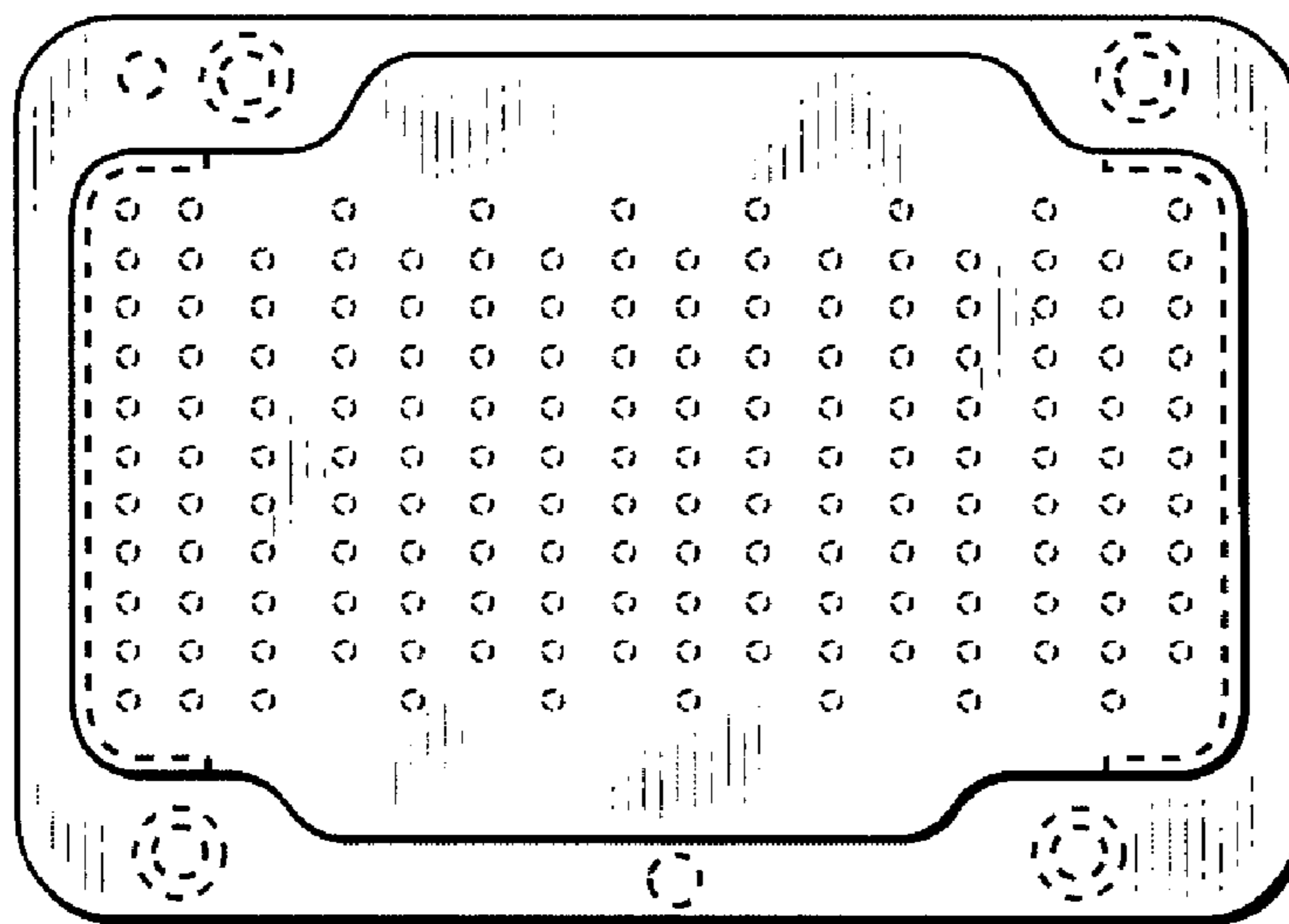


FIG. 3

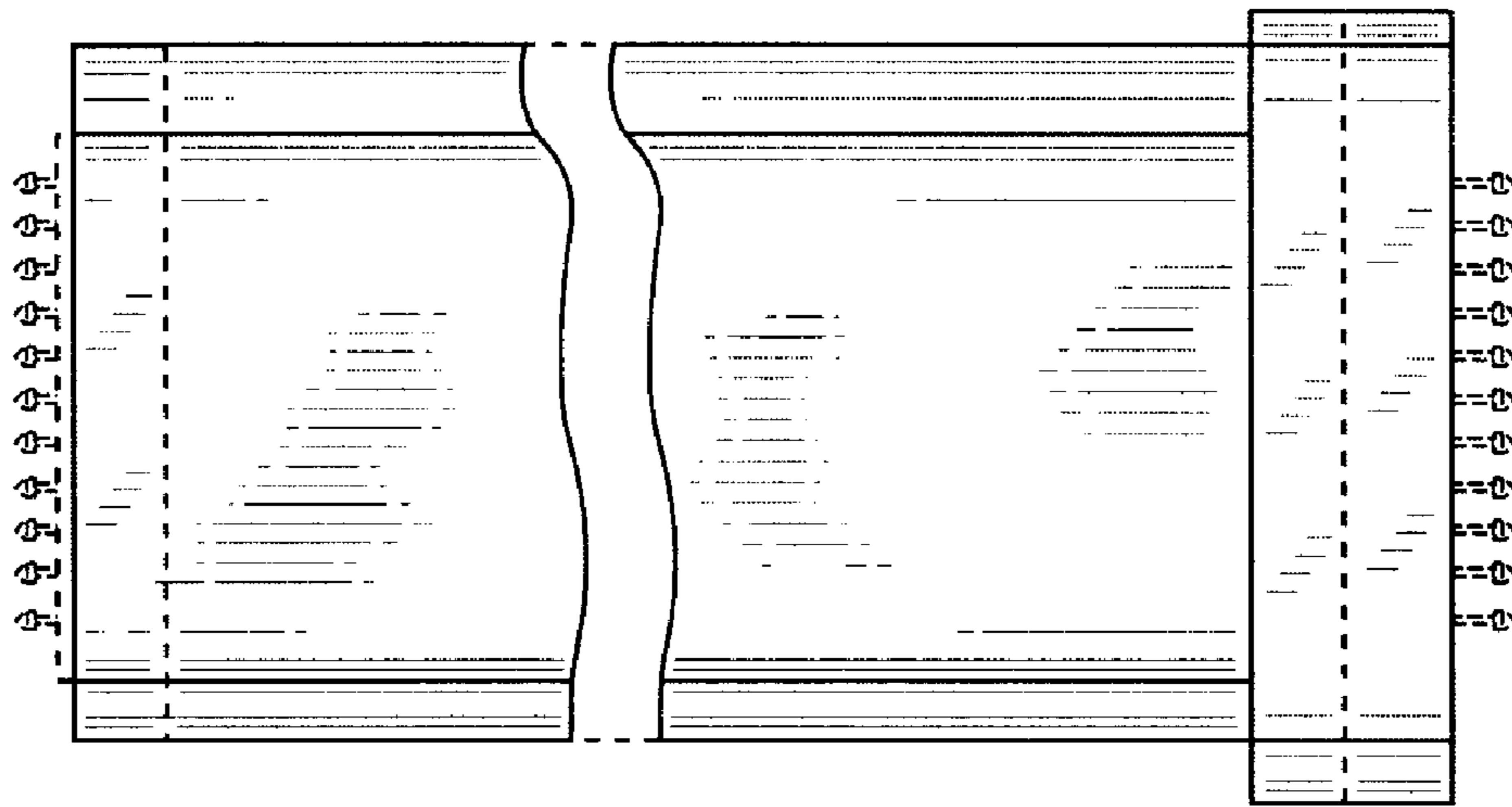


FIG. 4

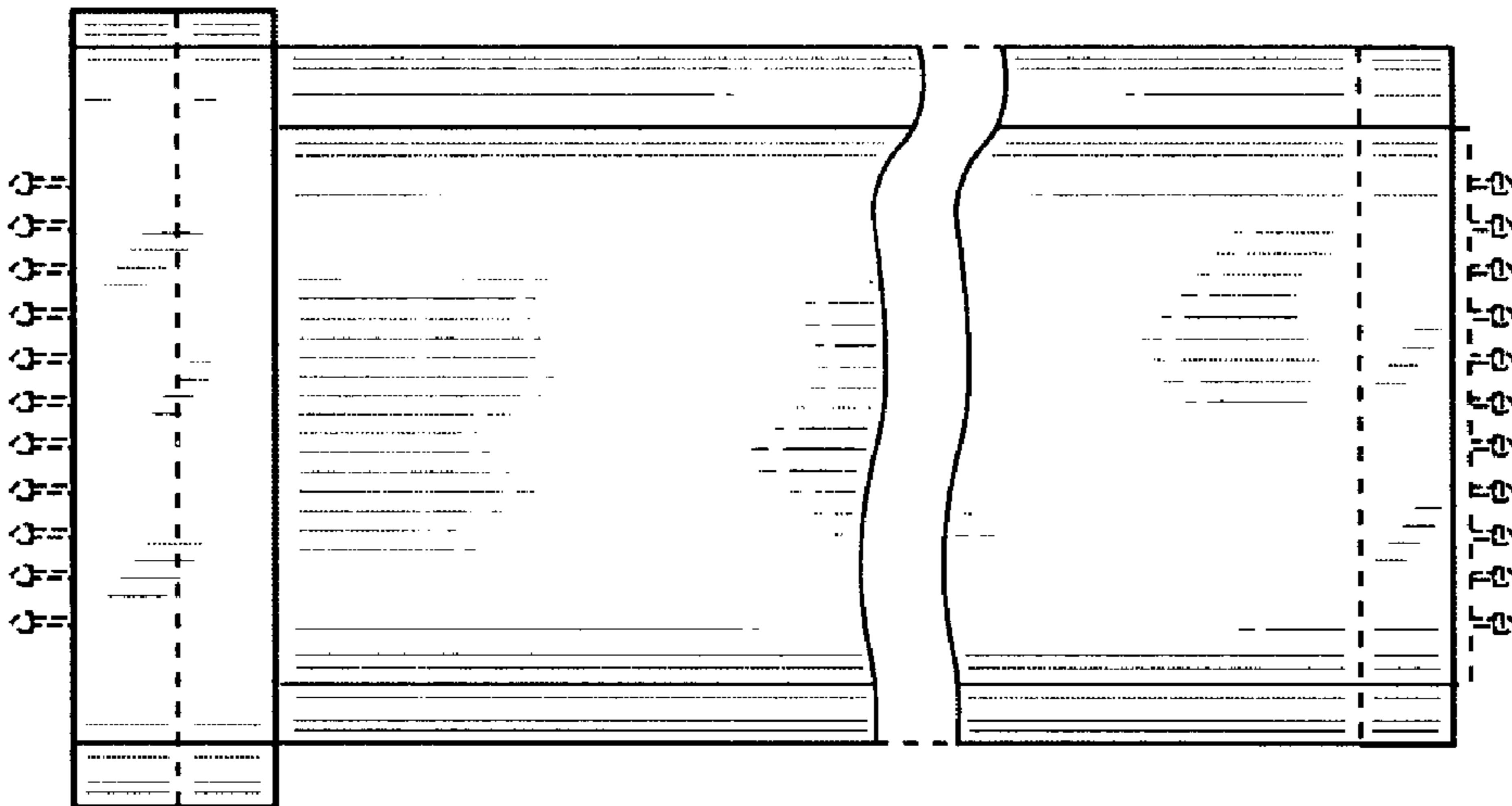


FIG. 5

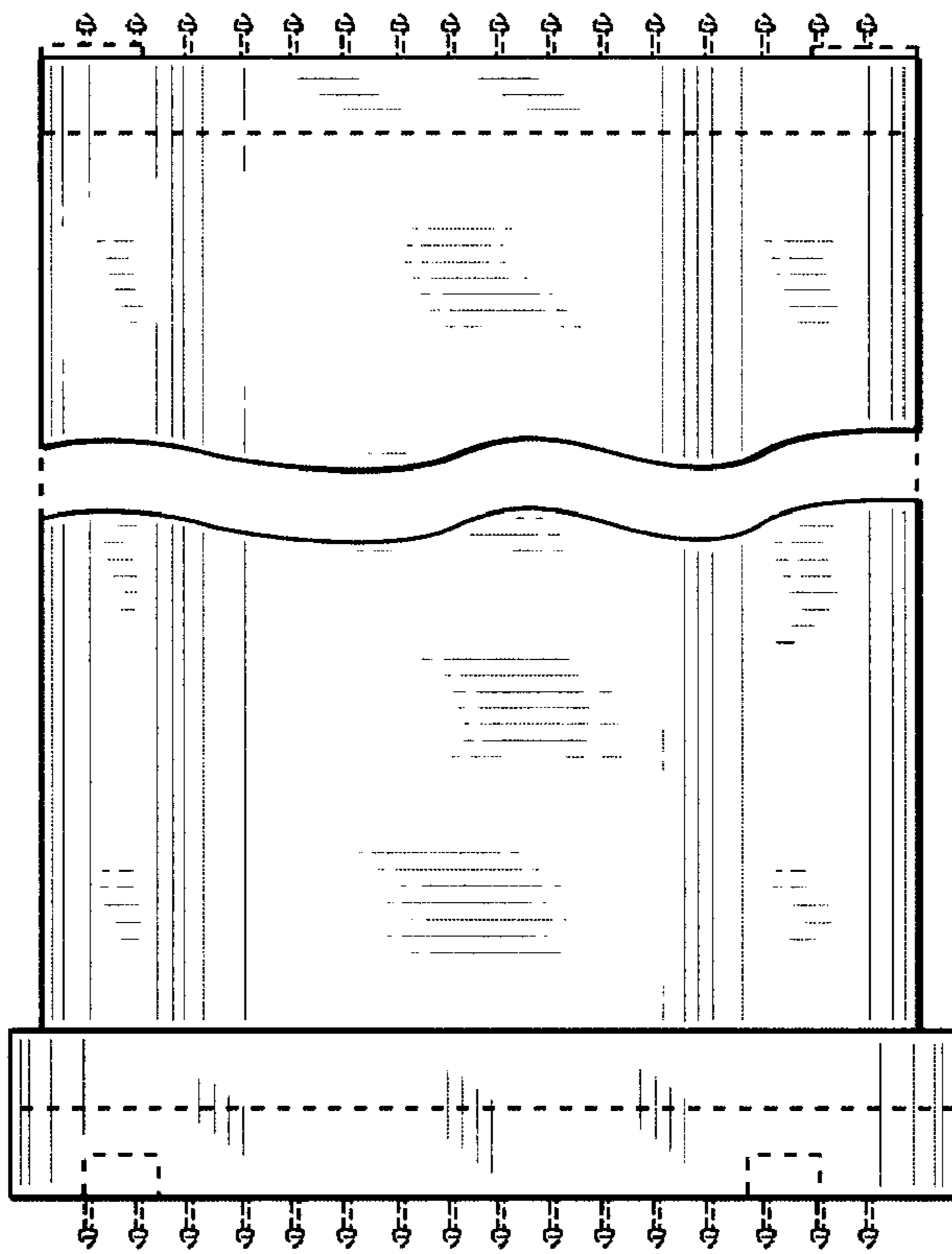


FIG. 6

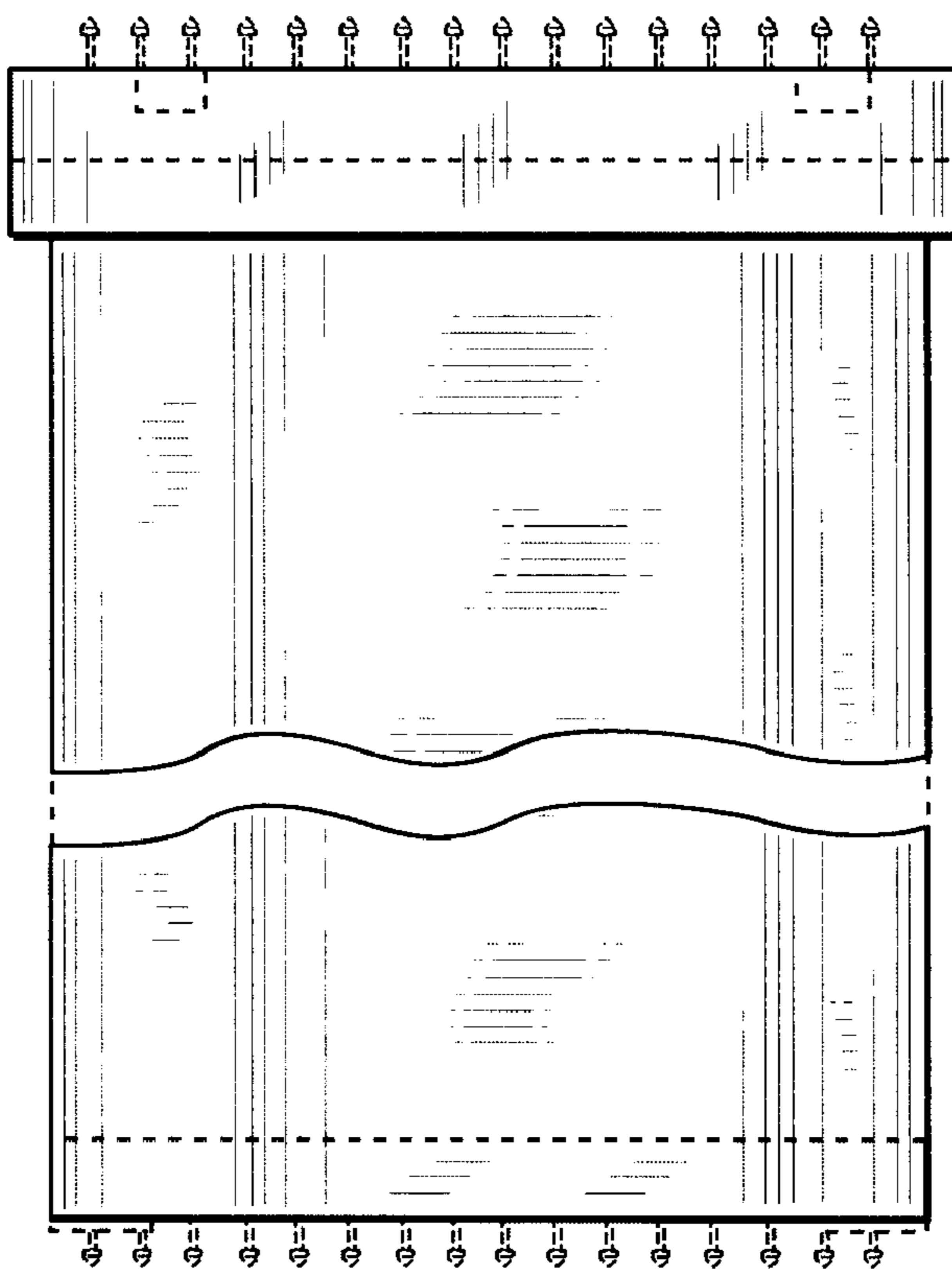


FIG. 7

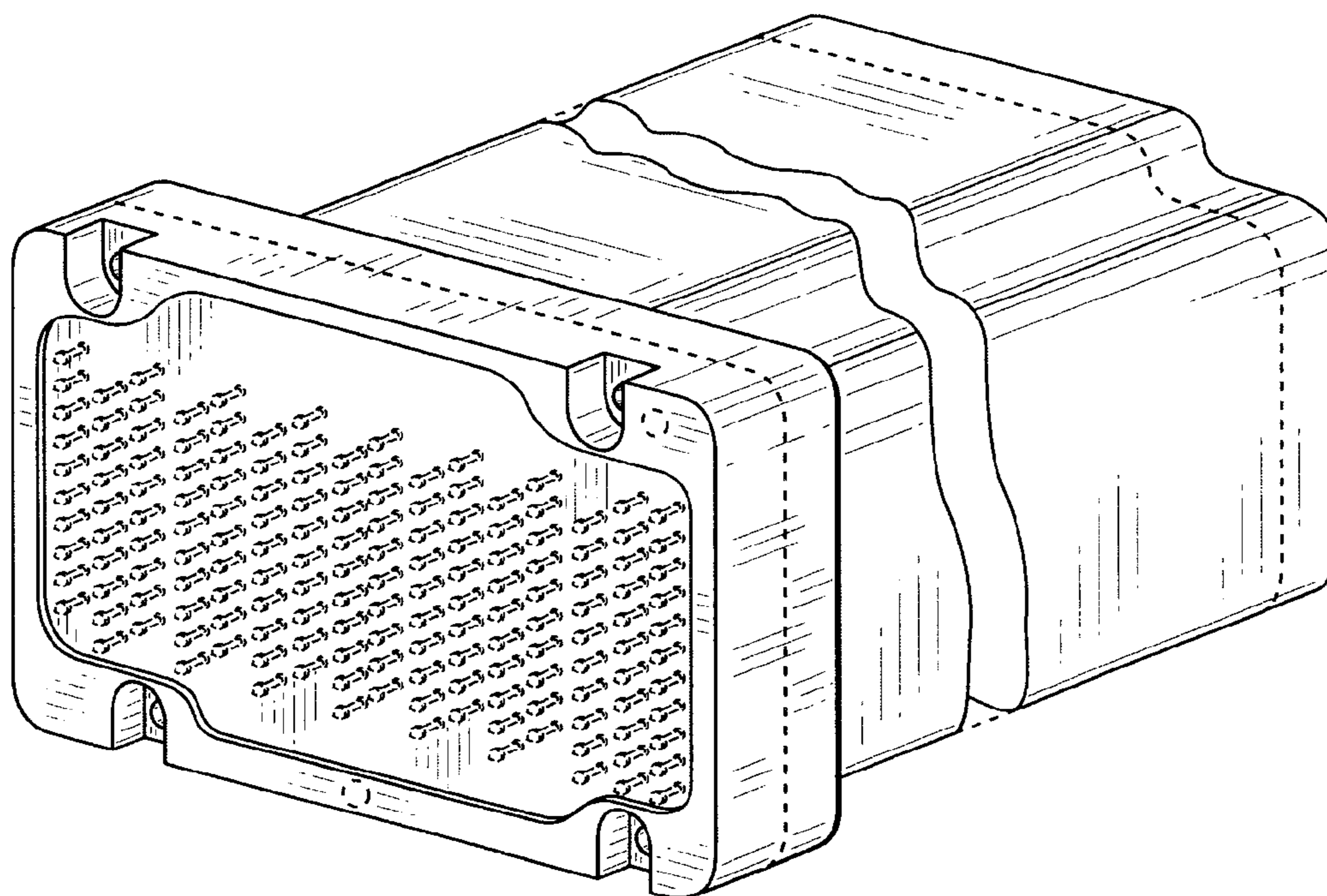


FIG. 8

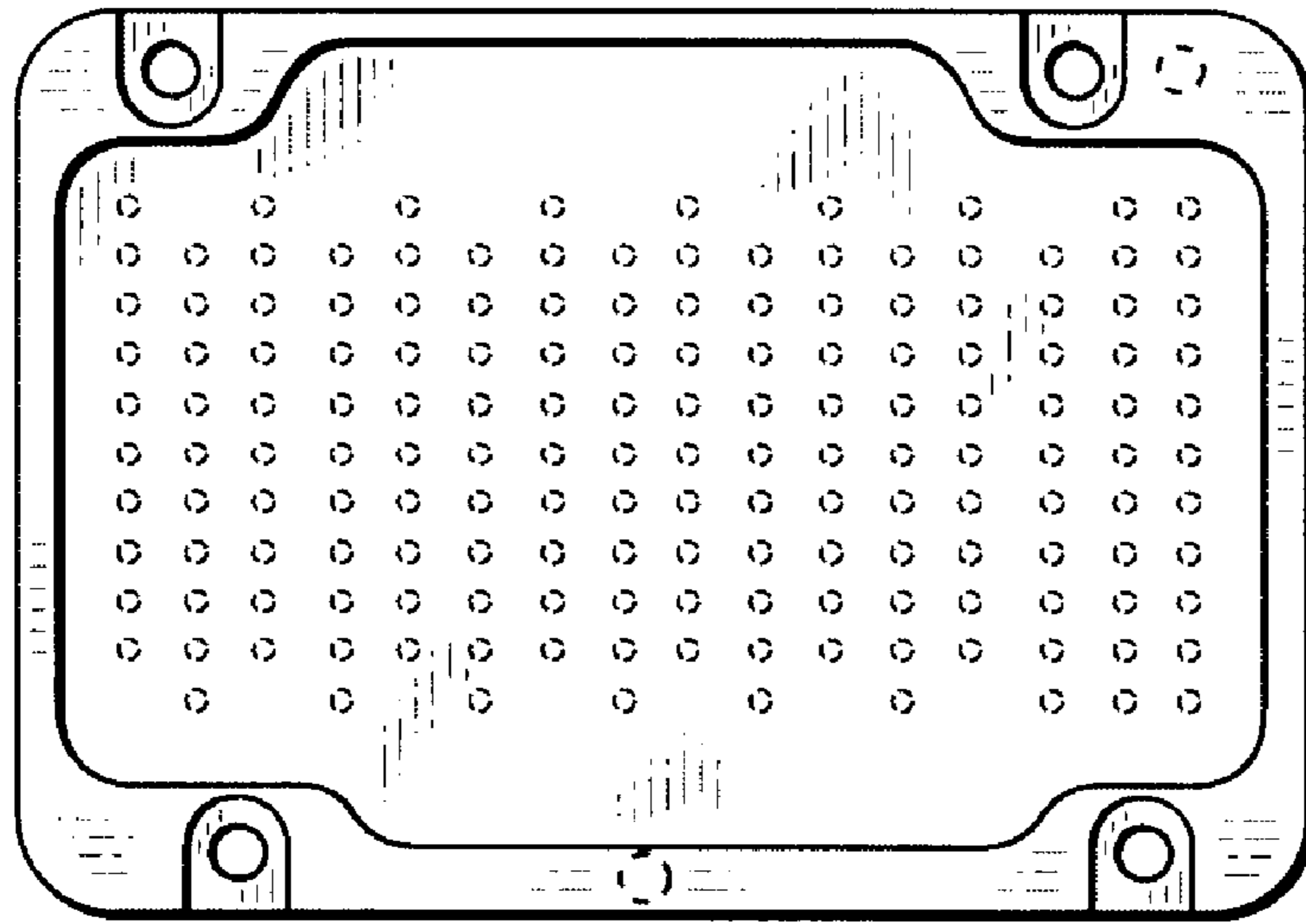


FIG. 9

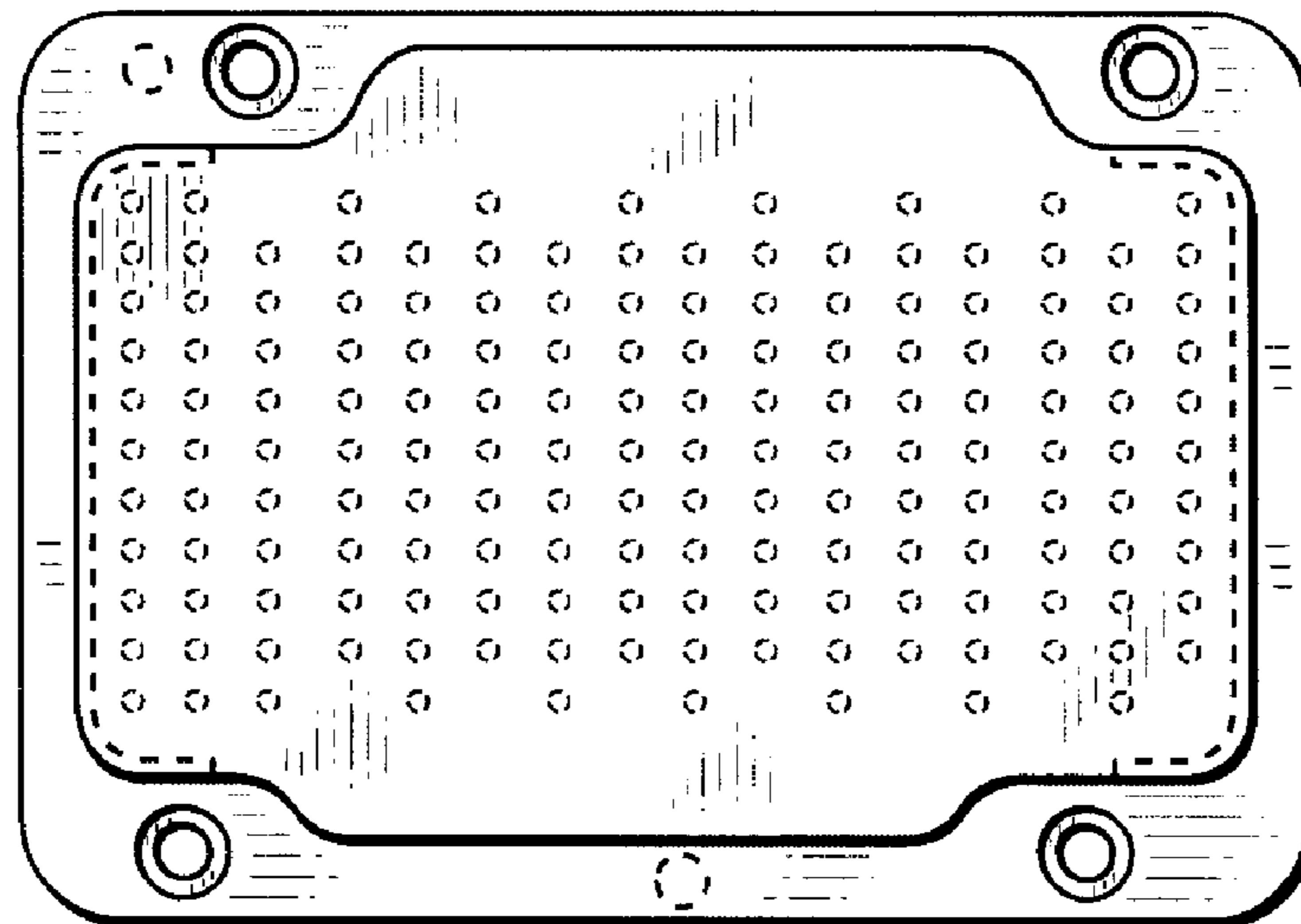


FIG. 10

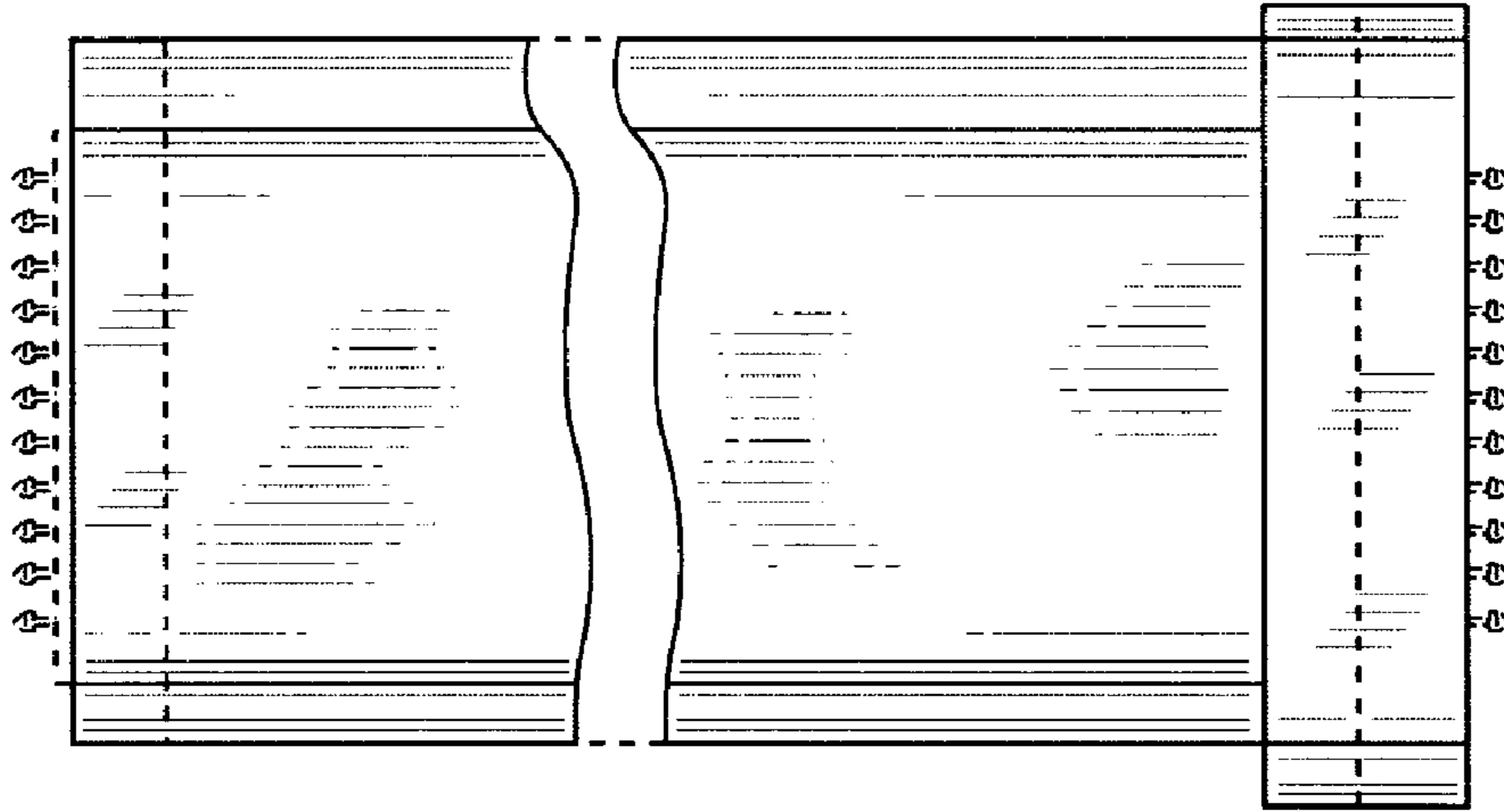


FIG. 11

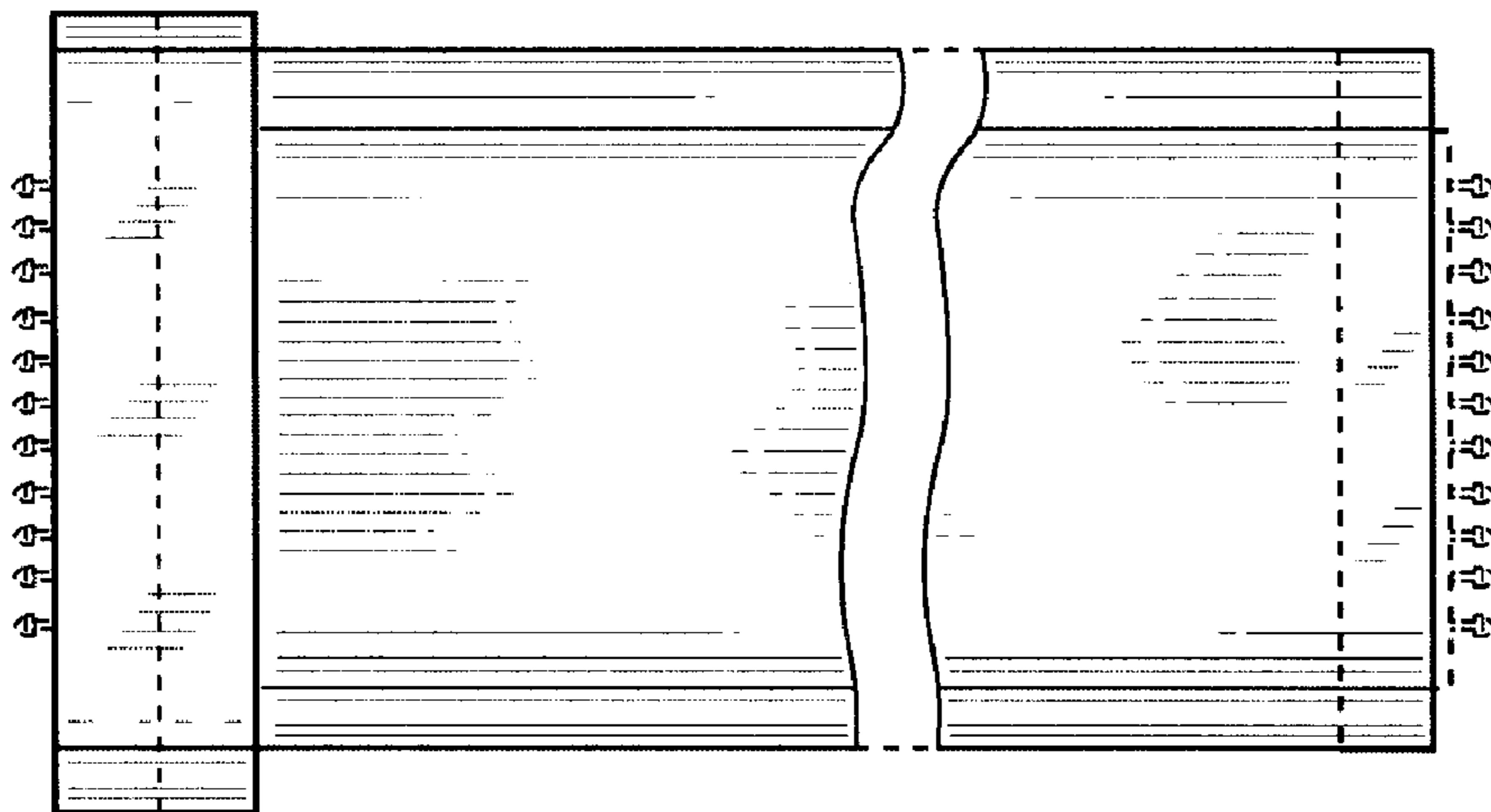


FIG. 12



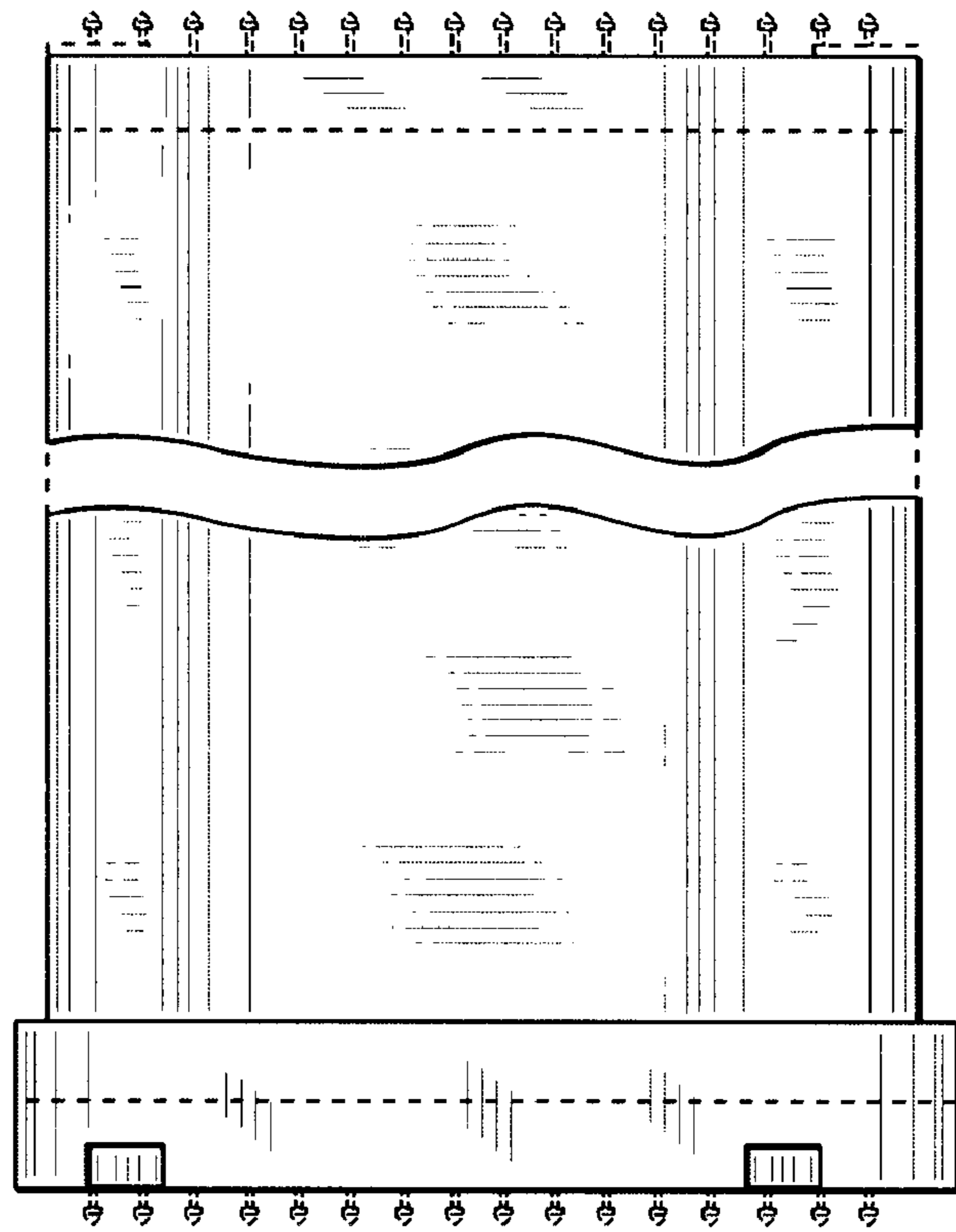


FIG. 13

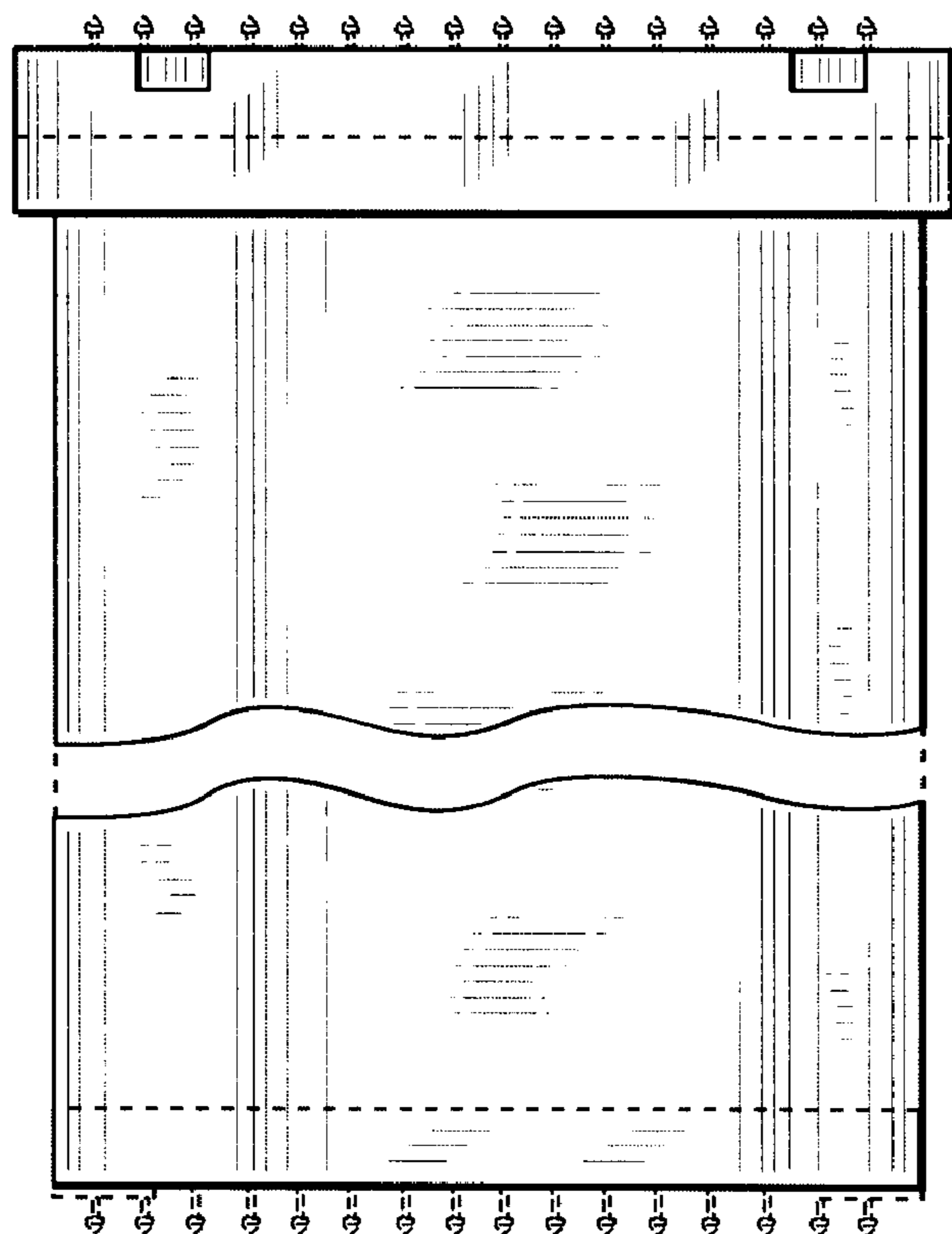


FIG. 14