

US00D528987S

(12) **United States Design Patent**
Peng

(10) **Patent No.:** **US D528,987 S**

(45) **Date of Patent:** **** Sep. 26, 2006**

(54) **BOARD TO BOARD RECEPTACLE CONNECTOR**

(75) Inventor: **Yung-Chi Peng**, Tu-Cheng (TW)

(73) Assignee: **Cheng Uei Precision Industry Co., Ltd.**, Taipei Hsien (TW)

(**) Term: **14 Years**

(21) Appl. No.: **29/251,347**

(22) Filed: **Jan. 7, 2006**

(51) **LOC (8) Cl.** **13-03**

(52) **U.S. Cl.** **D13/147**

(58) **Field of Classification Search** D13/133,
D13/146-147, 149, 154, 184; D14/432-436,
D14/438; 439/64, 79, 72-74, 159-160, 326,
439/492, 495, 607-610, 630-631, 862
See application file for complete search history.

(56) **References Cited**

U.S. PATENT DOCUMENTS

- 5,545,051 A * 8/1996 Summers et al. 439/350
- 5,888,077 A * 3/1999 Champion et al. 439/108
- D453,734 S * 2/2002 Shimoyama et al. D13/147

- D455,125 S * 4/2002 Shimoyama et al. D13/147
- 6,811,075 B1 * 11/2004 Sloom 229/87.2
- D502,921 S * 3/2005 Zhang et al. D13/147
- 7,037,117 B1 * 5/2006 Goto 439/74
- 2004/0014335 A1 * 1/2004 Igarashi et al. 439/74
- 2006/0035489 A1 * 2/2006 Goto 439/74

* cited by examiner

Primary Examiner—Prabhakar Deshmukh

Assistant Examiner—Daniel Bui

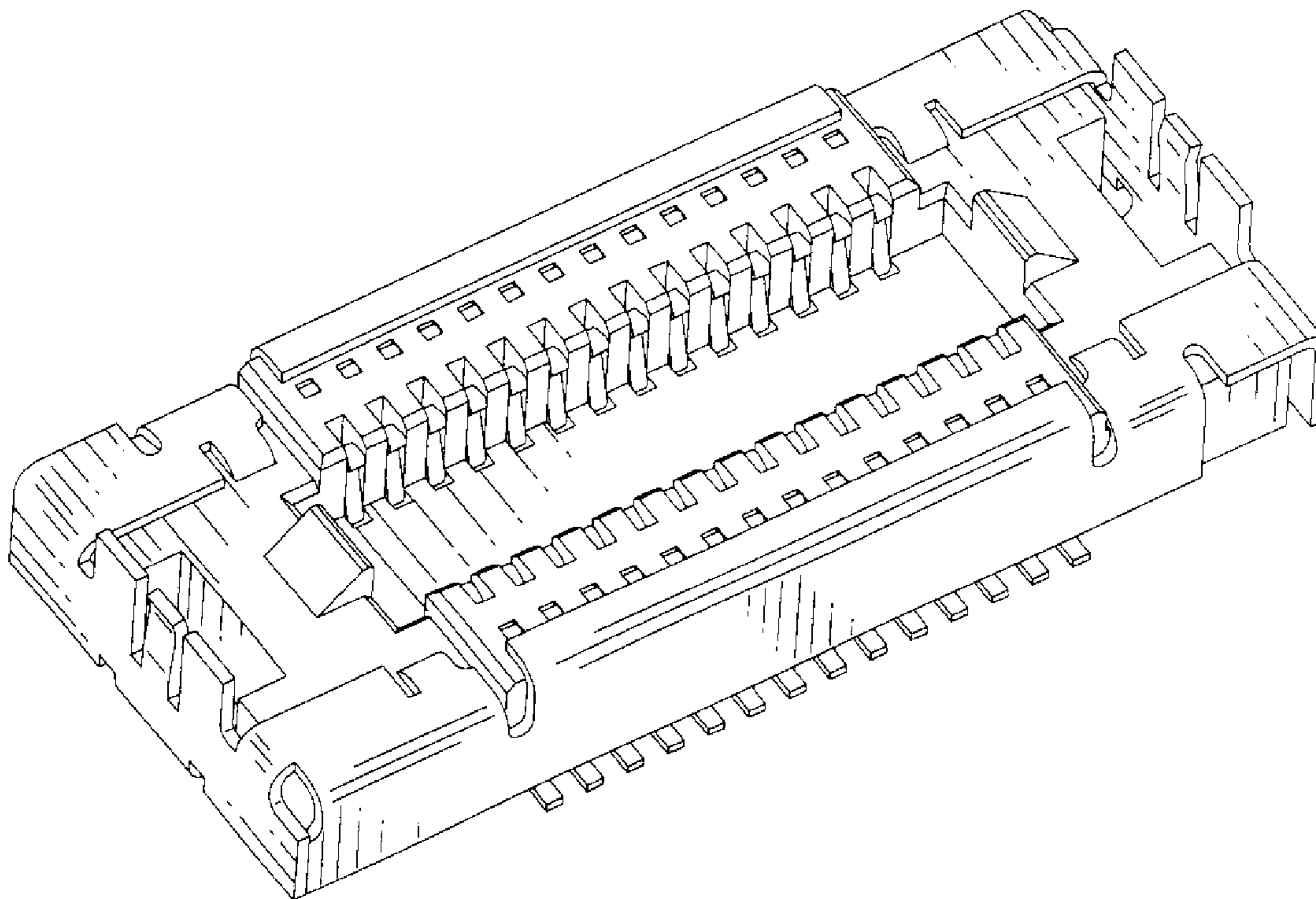
(57) **CLAIM**

The ornamental design for a board to board receptacle connector, as shown and described.

DESCRIPTION

FIG. 1 is a perspective view of a board to board receptacle connector showing my new design;
FIG. 2 is a front elevational view thereof;
FIG. 3 is a rear elevational view thereof;
FIG. 4 is a left side elevational view thereof;
FIG. 5 is a right side elevational view thereof;
FIG. 6 is a top plan view thereof; and,
FIG. 7 is a bottom plan view thereof.

1 Claim, 7 Drawing Sheets



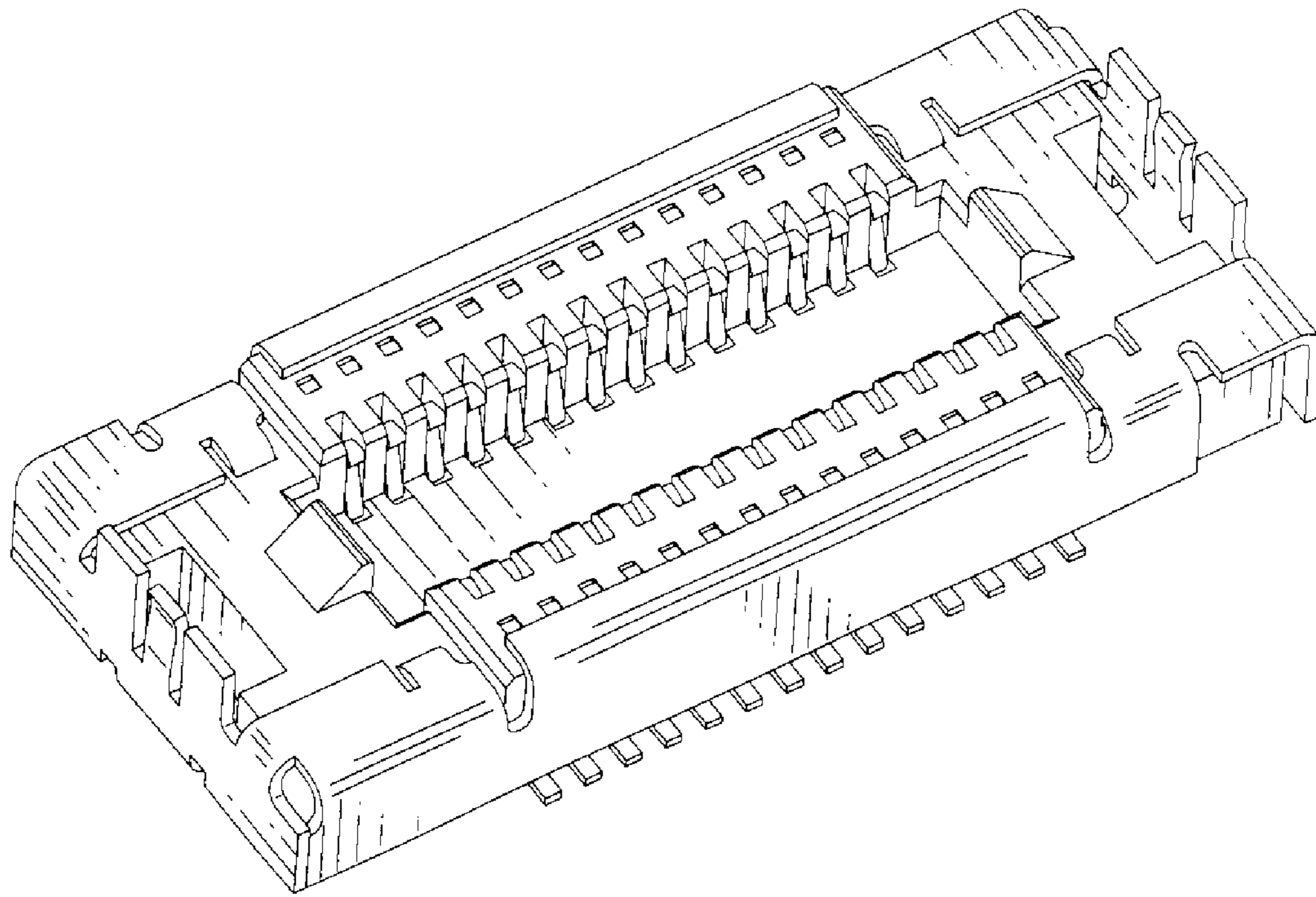


FIG. 1

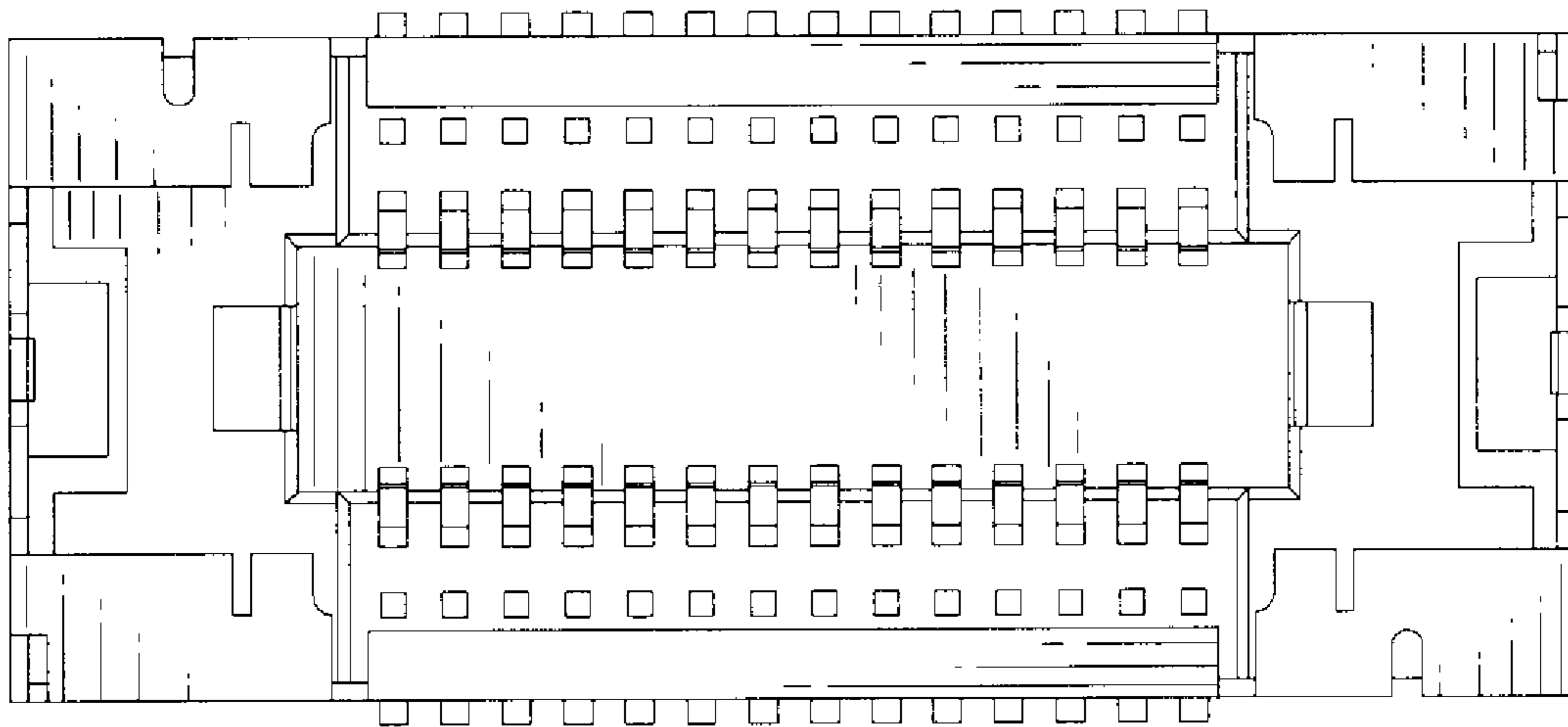


FIG. 2

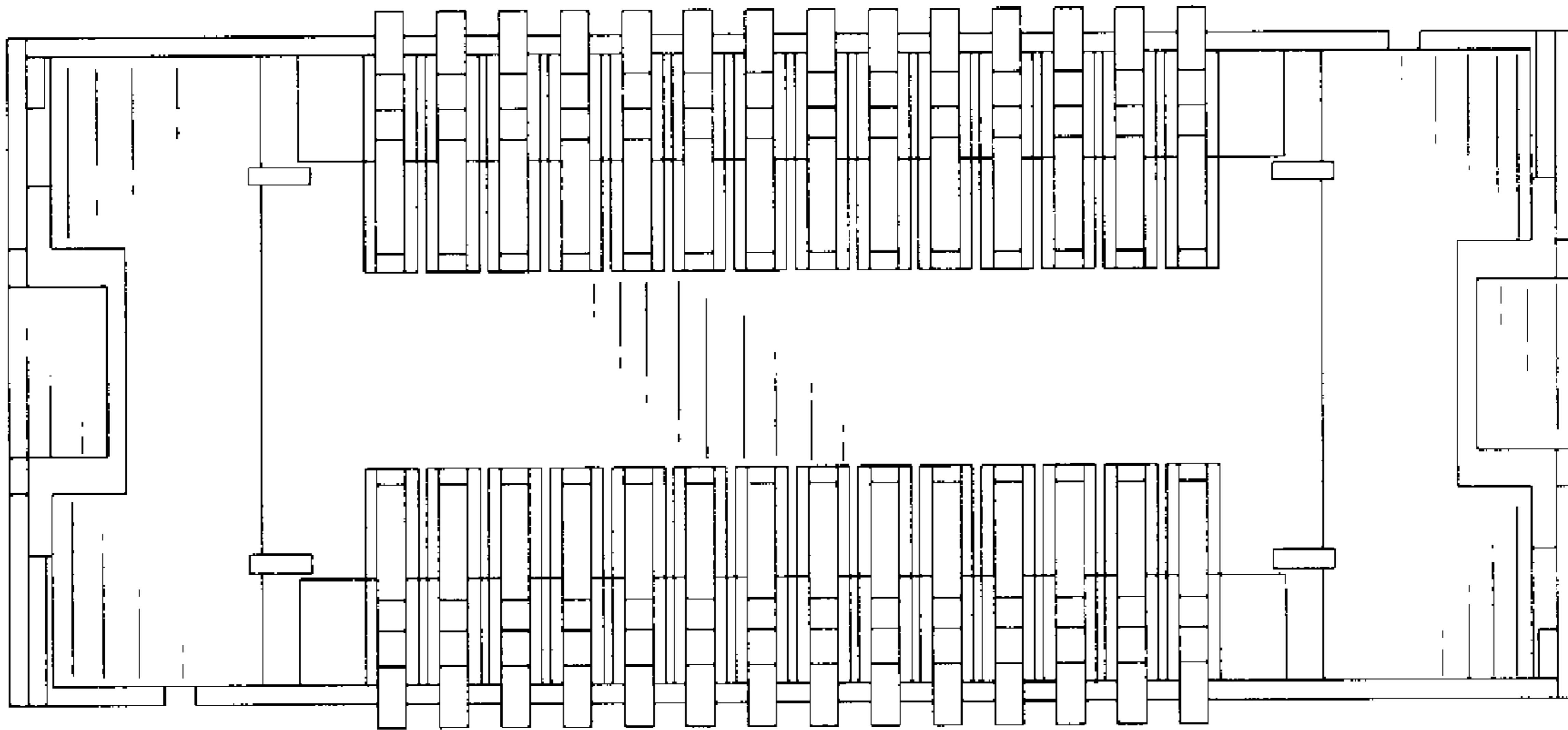


FIG. 3

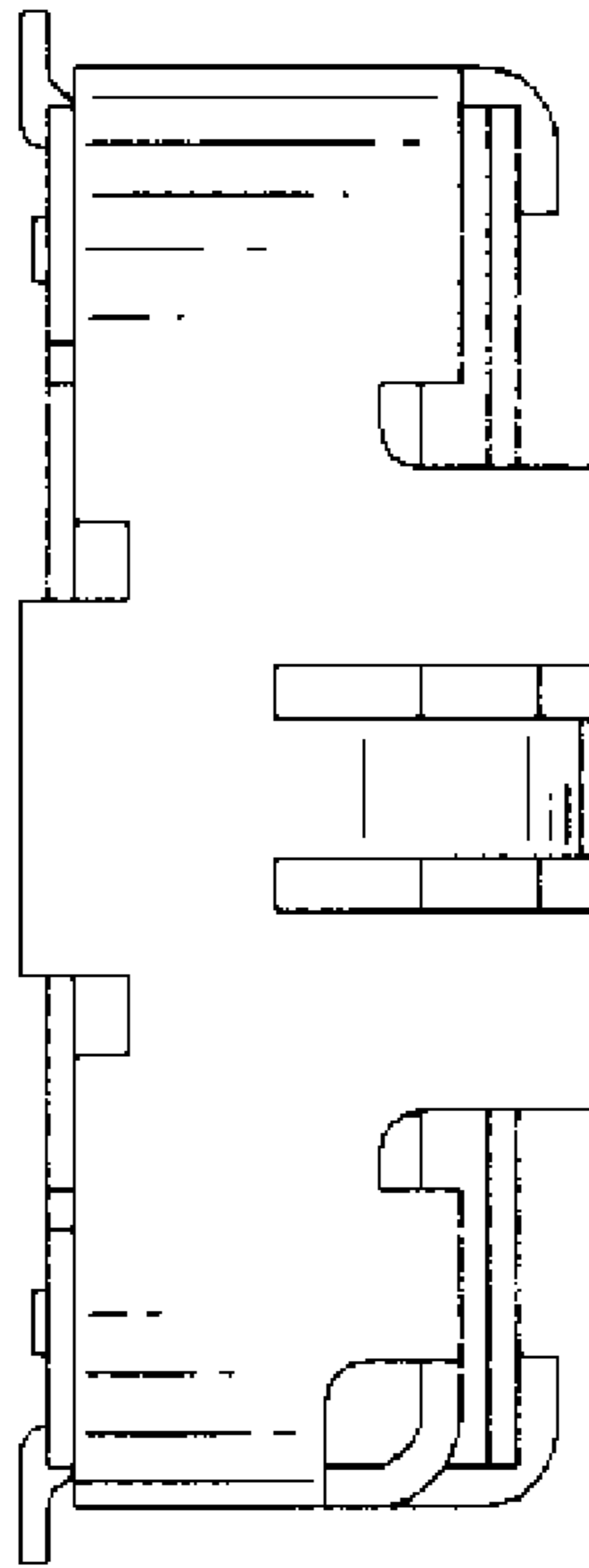


FIG. 4

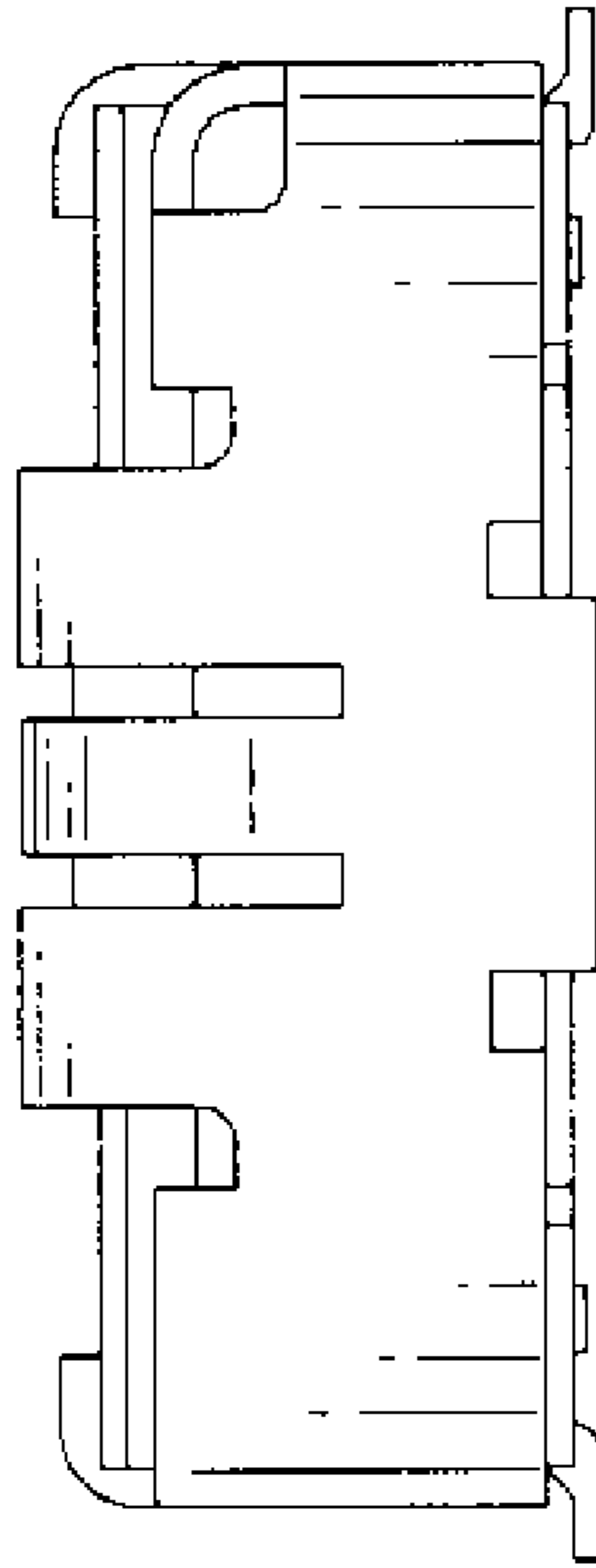


FIG. 5

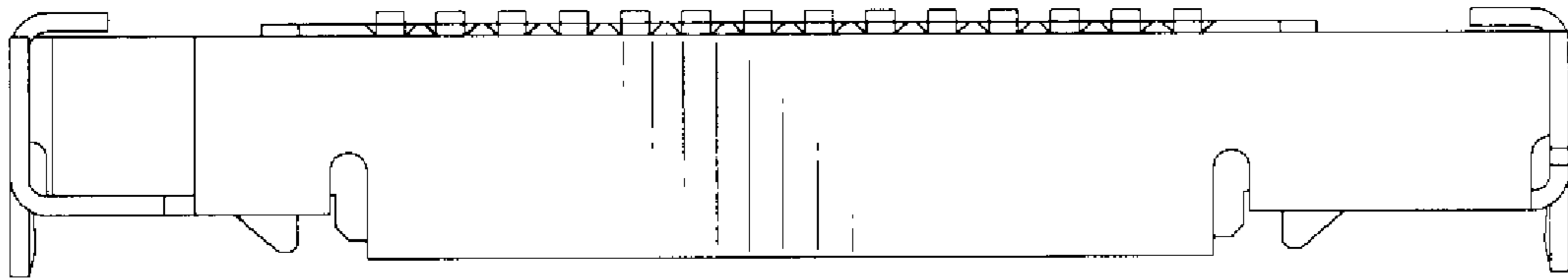


FIG. 6

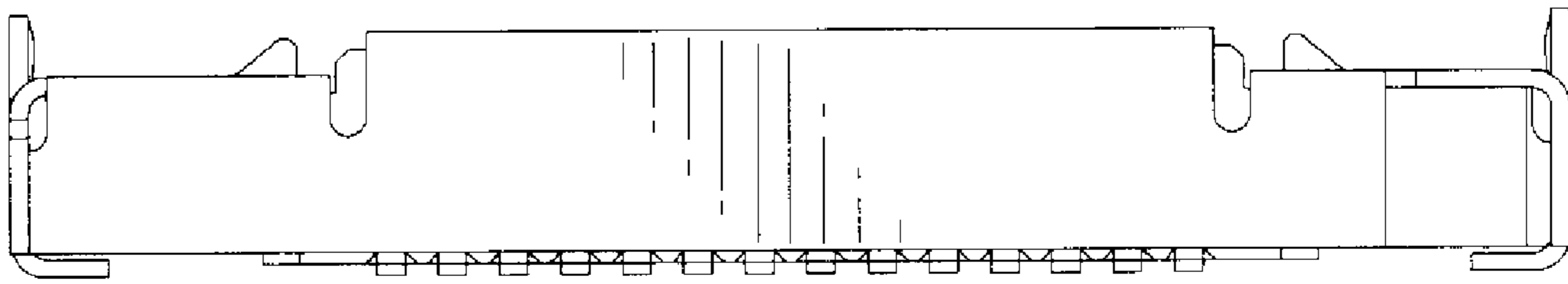


FIG. 7