



US00D528983S

(12) **United States Design Patent** (10) **Patent No.:** **US D528,983 S**
Solida (45) **Date of Patent:** **** Sep. 26, 2006**

(54) **TRAILER WIRING ADAPTER**

(75) Inventor: **Evan C. Solida**, Emporia, KS (US)

(73) Assignee: **Hopkins Manufacturing Corporation**, Emporia, KS (US)

(**) Term: **14 Years**

(21) Appl. No.: **29/195,088**

(22) Filed: **Dec. 5, 2003**

(51) **LOC (8) Cl.** **13-03**

(52) **U.S. Cl.** **D13/146**; D13/133; D13/147

(58) **Field of Classification Search** D13/123, D13/133, 146-147, 154, 184, 199; 439/34-36, 439/136, 138, 142, 278, 374, 527
See application file for complete search history.

(56) **References Cited**

U.S. PATENT DOCUMENTS

3,956,573	A	*	5/1976	Myers et al.	174/48
D370,889	S	*	6/1996	Anthony	D13/146
5,571,023	A	*	11/1996	Anthony	439/142
5,800,188	A	*	9/1998	Barber et al.	439/142
D399,187	S	*	10/1998	Kay	D13/146
D449,581	S	*	10/2001	Bosatelli	D13/146
6,518,498	B1	*	2/2003	Bonilla et al.	174/48
6,695,621	B1	*	2/2004	Wang	439/35
6,790,084	B1	*	9/2004	Osborn et al.	439/587
D496,908	S	*	10/2004	Ihde et al.	D13/133

* cited by examiner

Primary Examiner—Prabhakar Deshmukh

Assistant Examiner—Daniel Bui

(74) *Attorney, Agent, or Firm*—Hovey Williams LLP

(57) **CLAIM**

The ornamental design for a trailer wiring adapter, as shown and described.

DESCRIPTION

FIG. 1 is a perspective view of a trailer wiring adapter showing my new design with a hinged cover in a raised position;

FIG. 2 is a perspective view of the trailer wiring adapter with the hinged cover in a lowered position;

FIG. 3 is a front elevation view of the trailer wiring adapter with the hinged cover in the raised position;

FIG. 4 is a side elevation view of the trailer wiring adapter thereof;

FIG. 5 is a top plan view of the trailer wiring adapter thereof;

FIG. 6 is a bottom plan view of the trailer wiring adapter thereof;

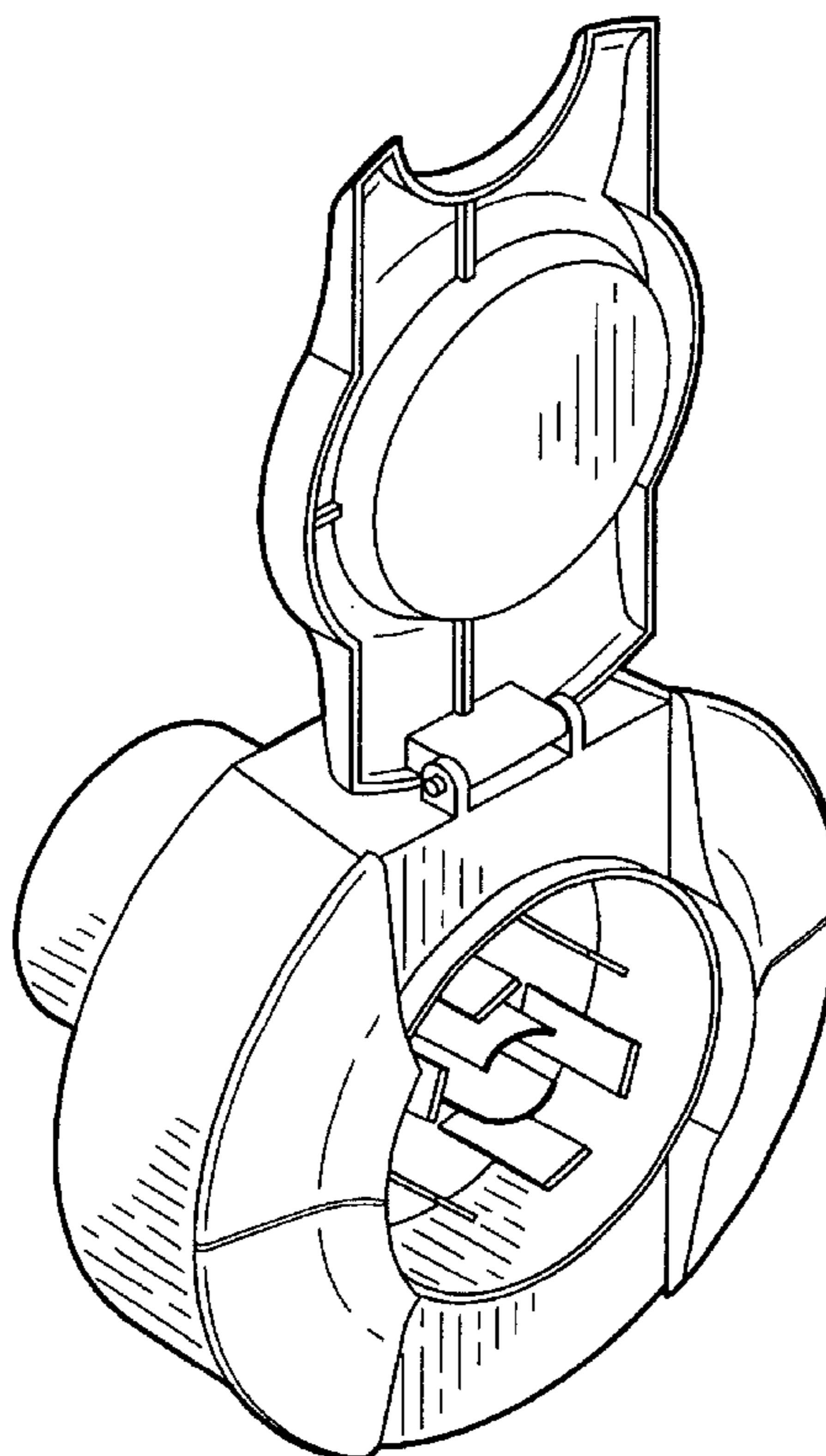
FIG. 7 is a front elevation view of the trailer wiring adapter with the hinged cover in the lowered position;

FIG. 8 is a side elevation view of the trailer wiring adapter thereof;

FIG. 9 is a top plan view of the trailer wiring adapter thereof; and,

FIG. 10 is a bottom plan view of the trailer wiring adapter thereof.

1 Claim, 3 Drawing Sheets



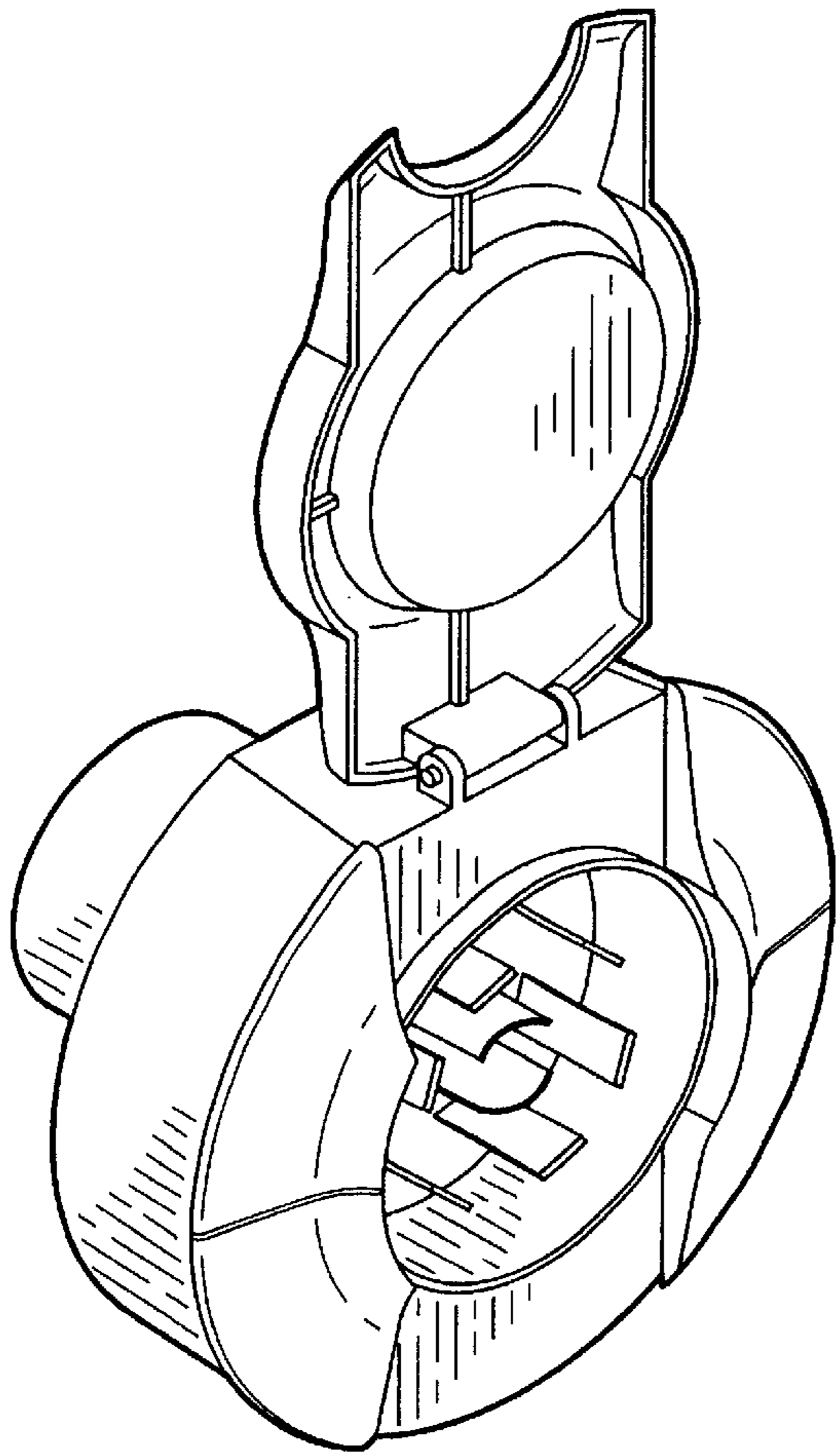


FIG. 1

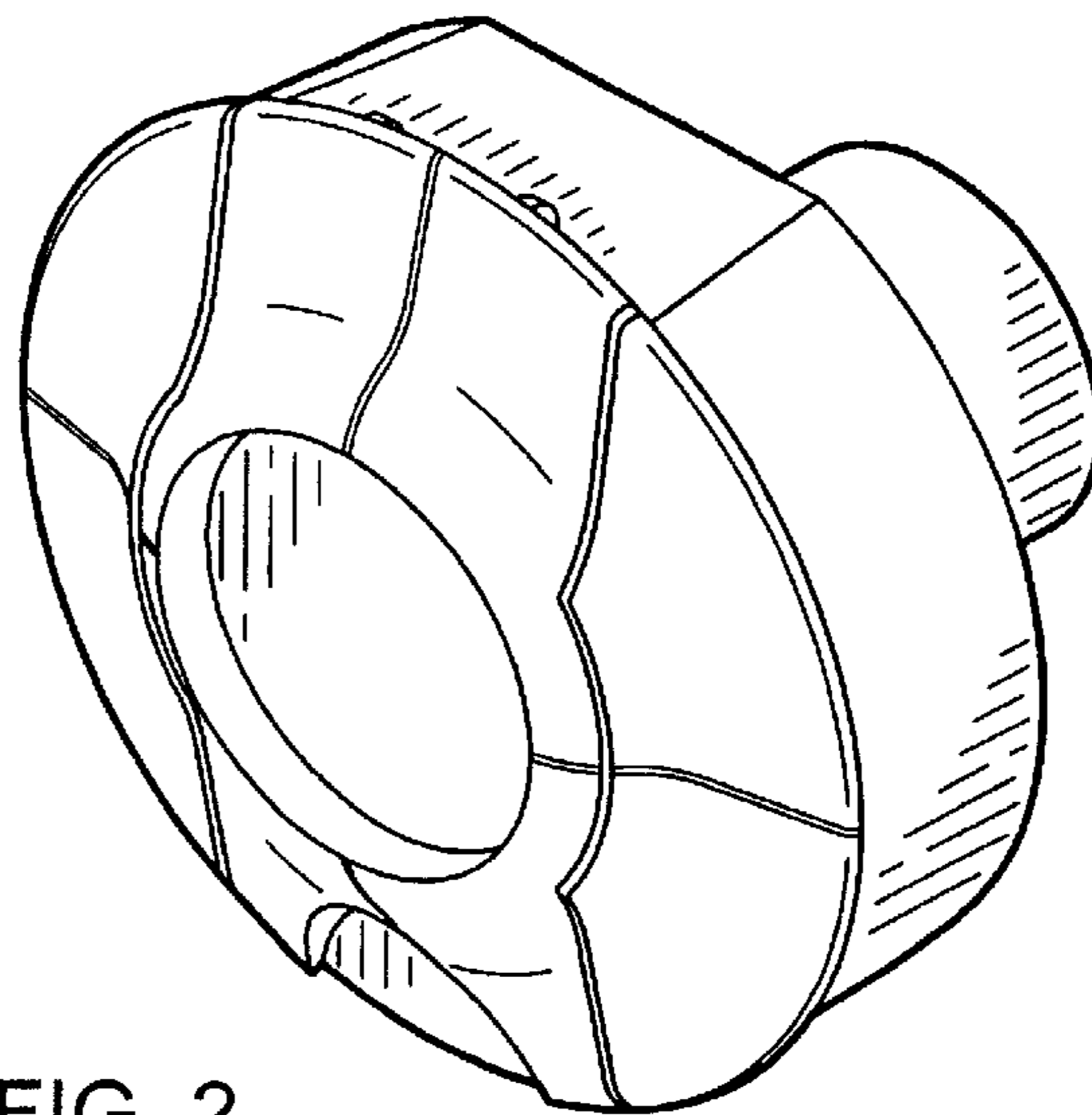


FIG. 2

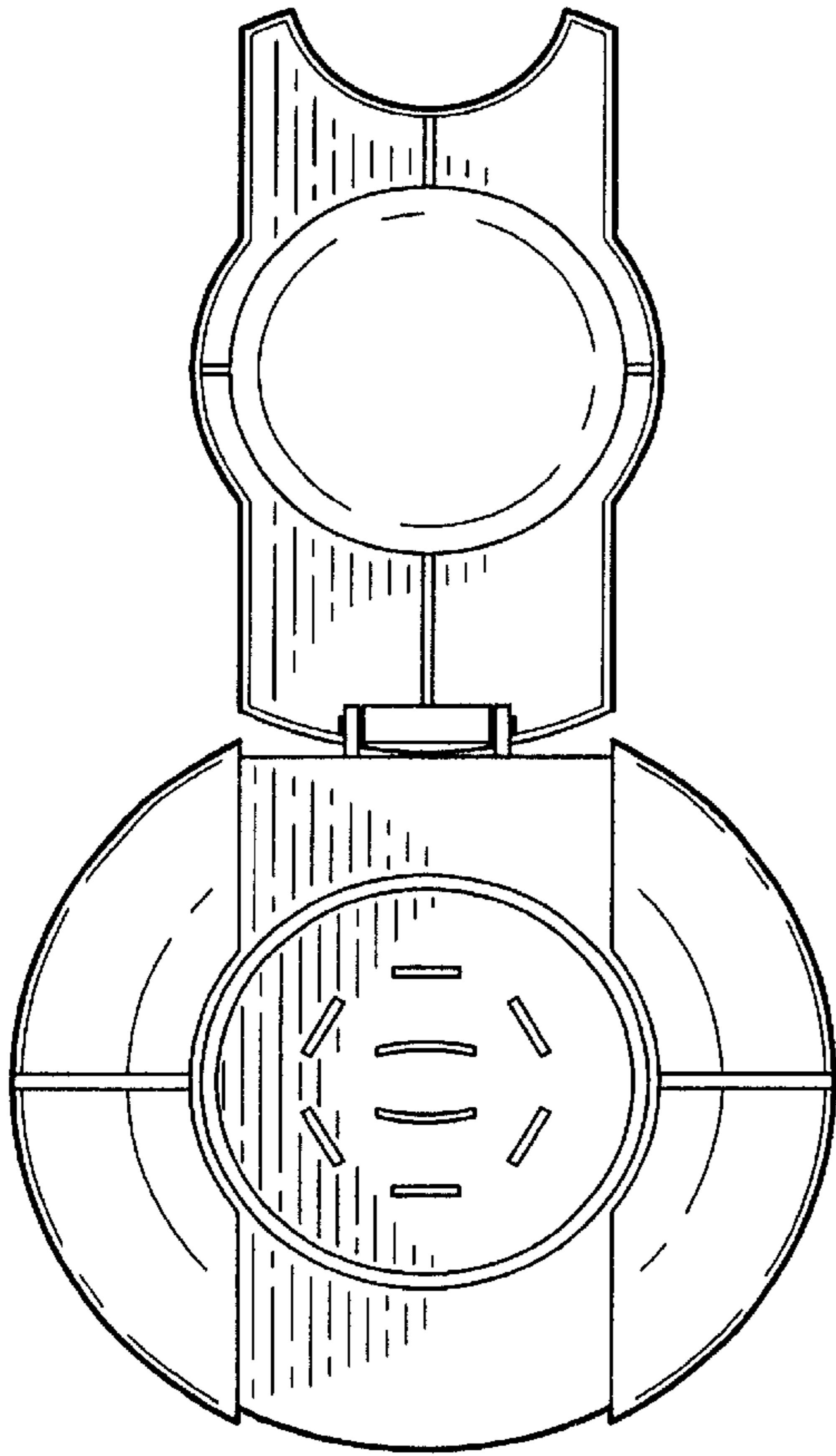


FIG. 3

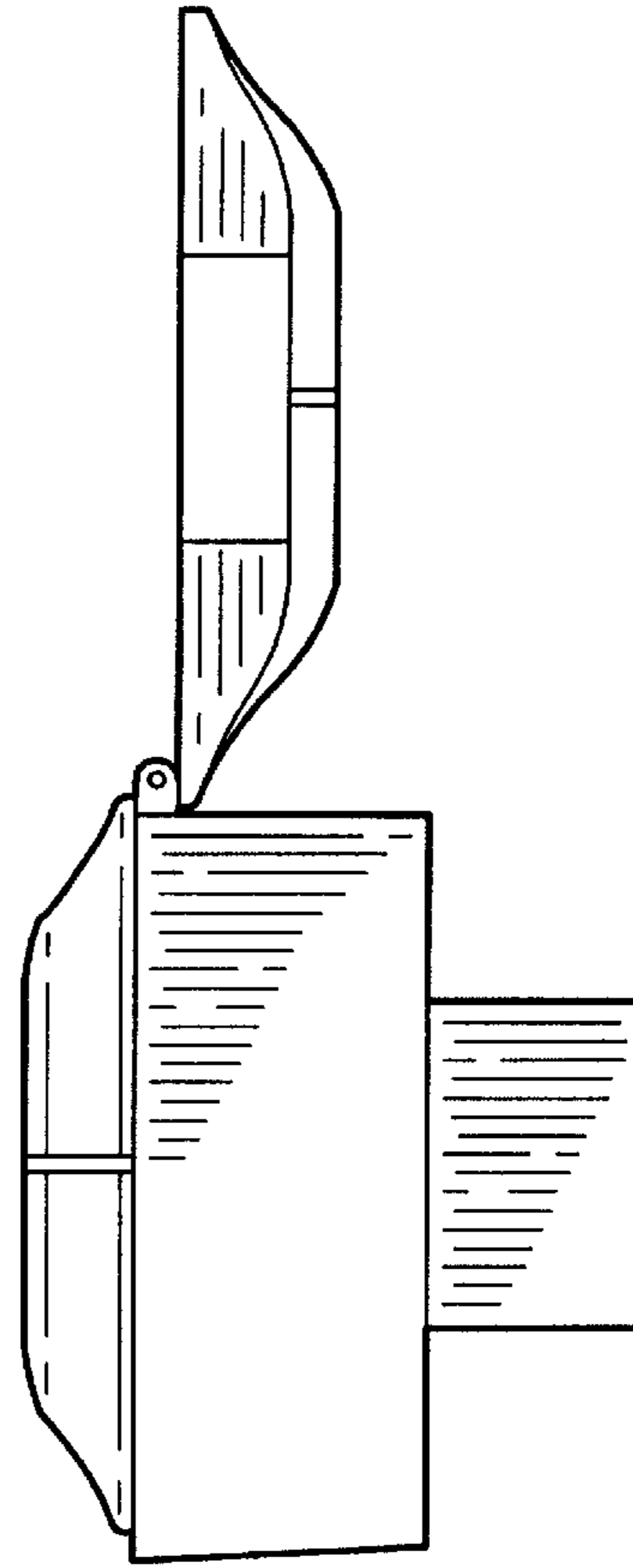


FIG. 4

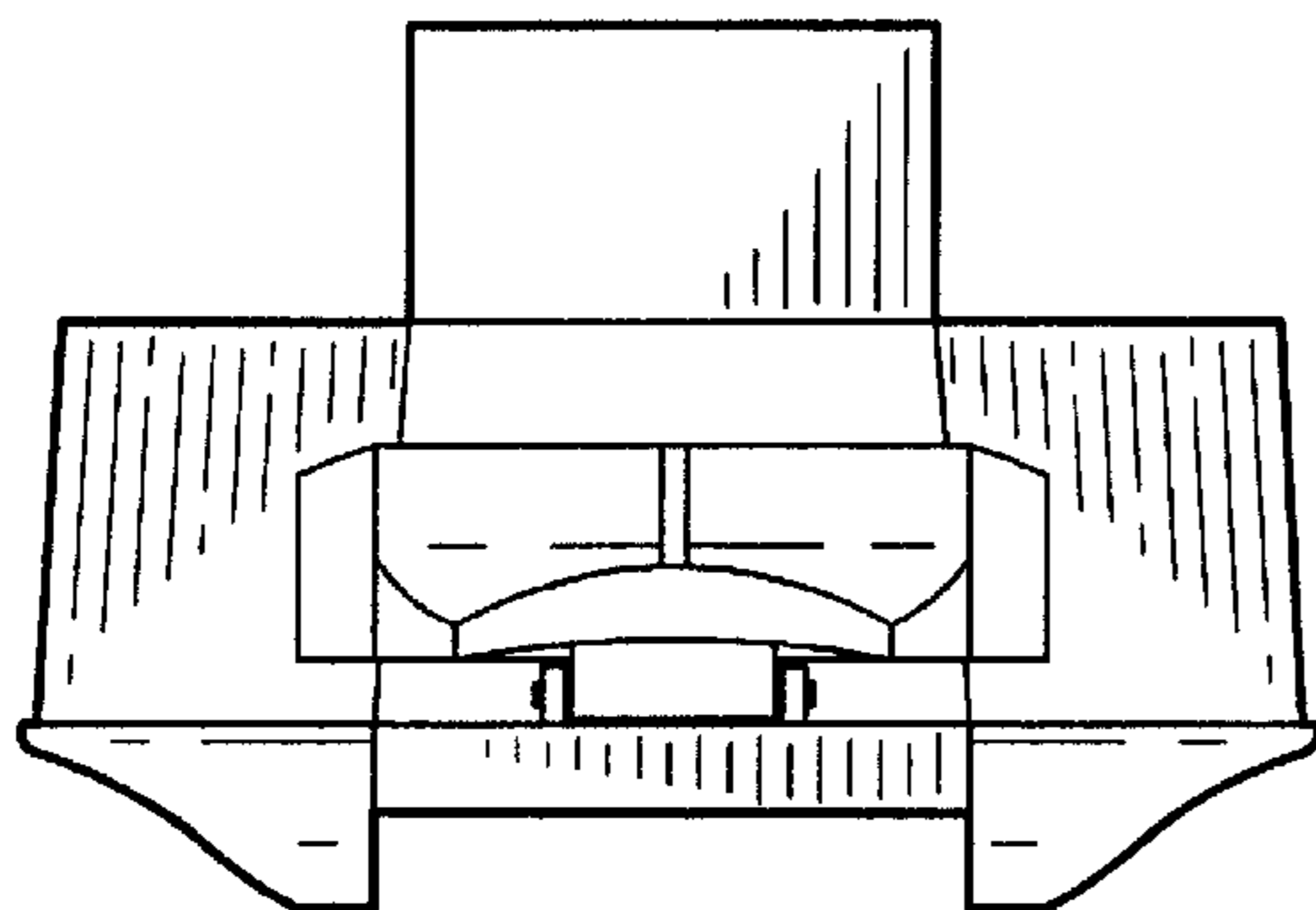


FIG. 5

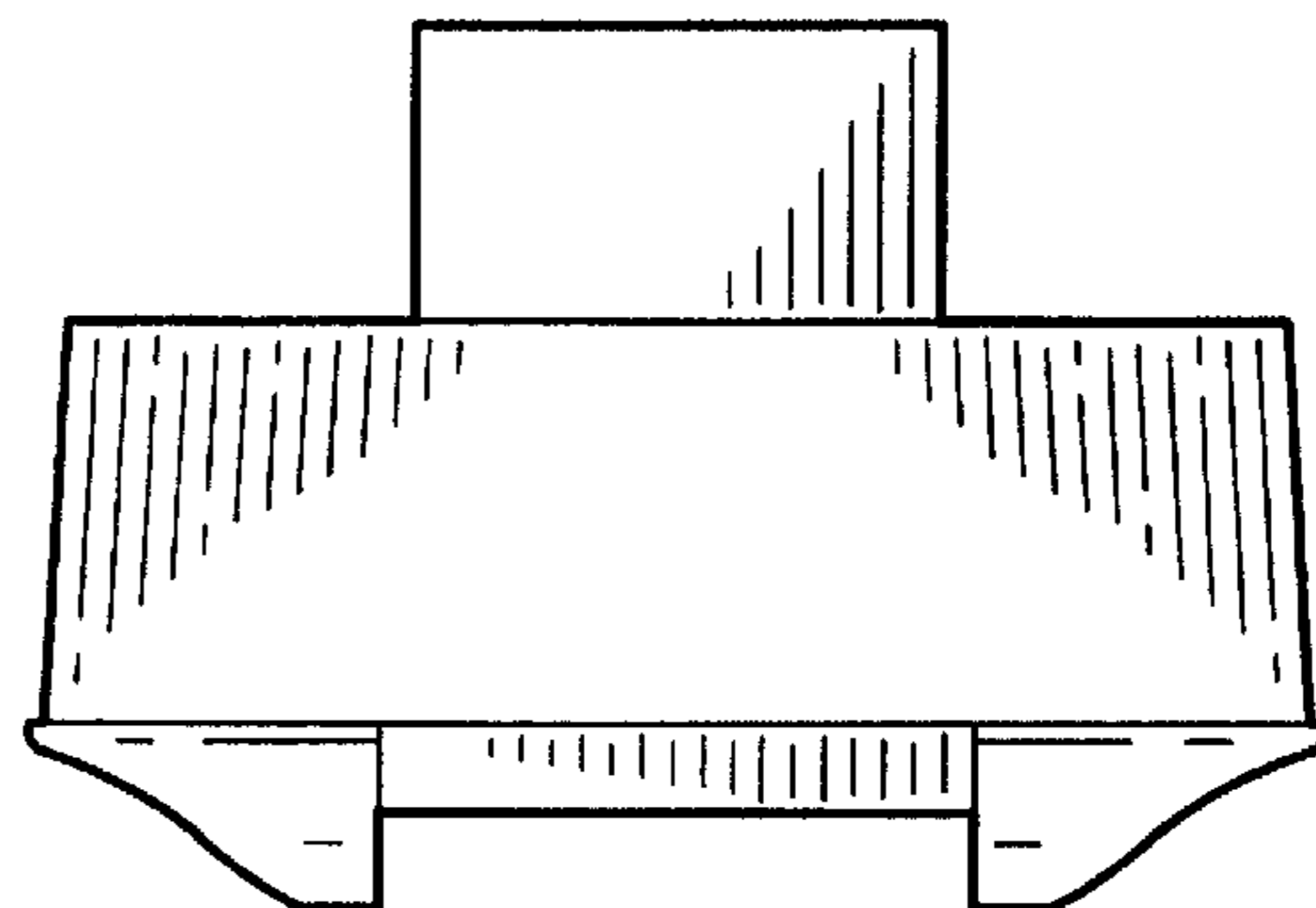


FIG. 6

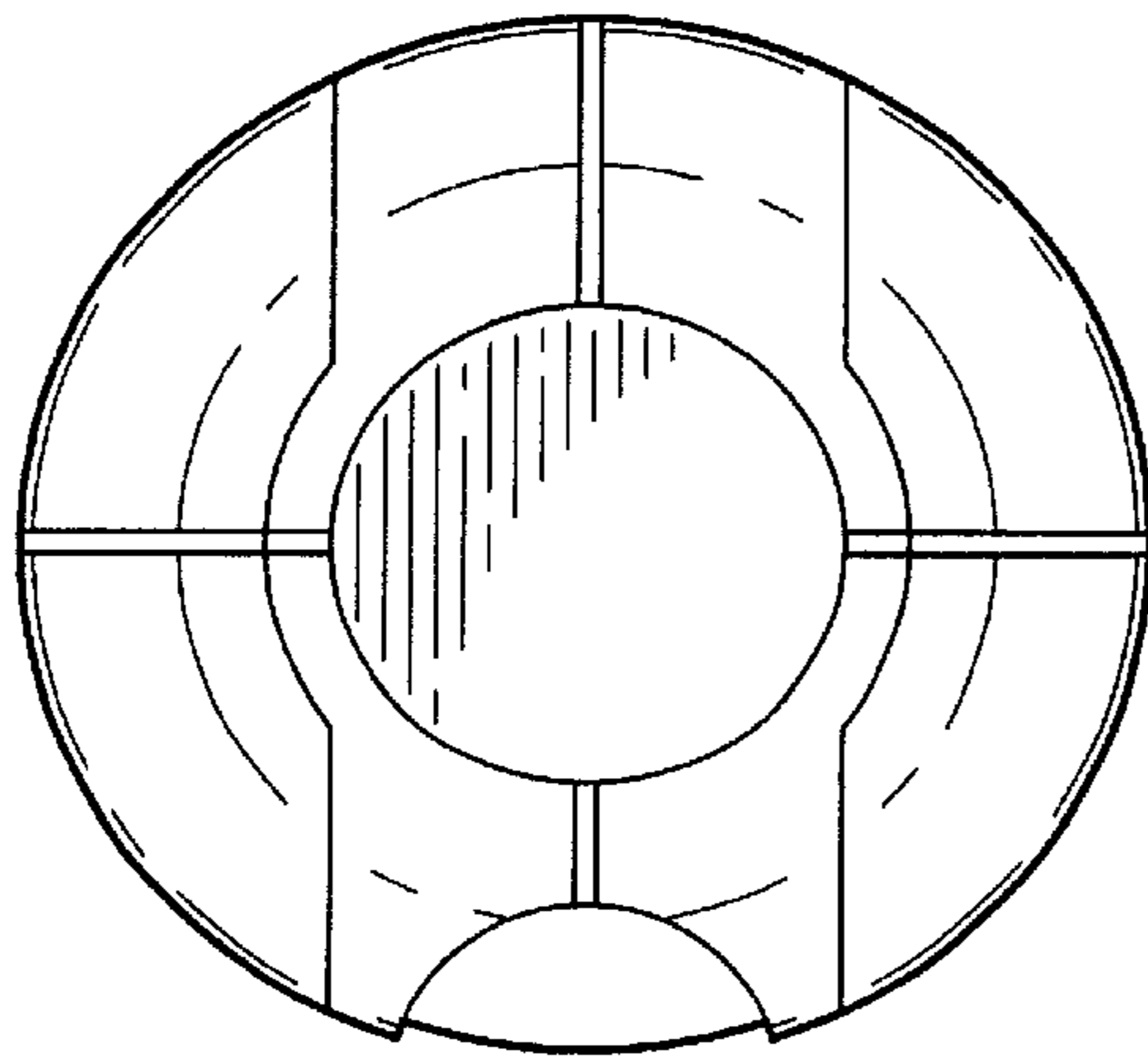


FIG. 7

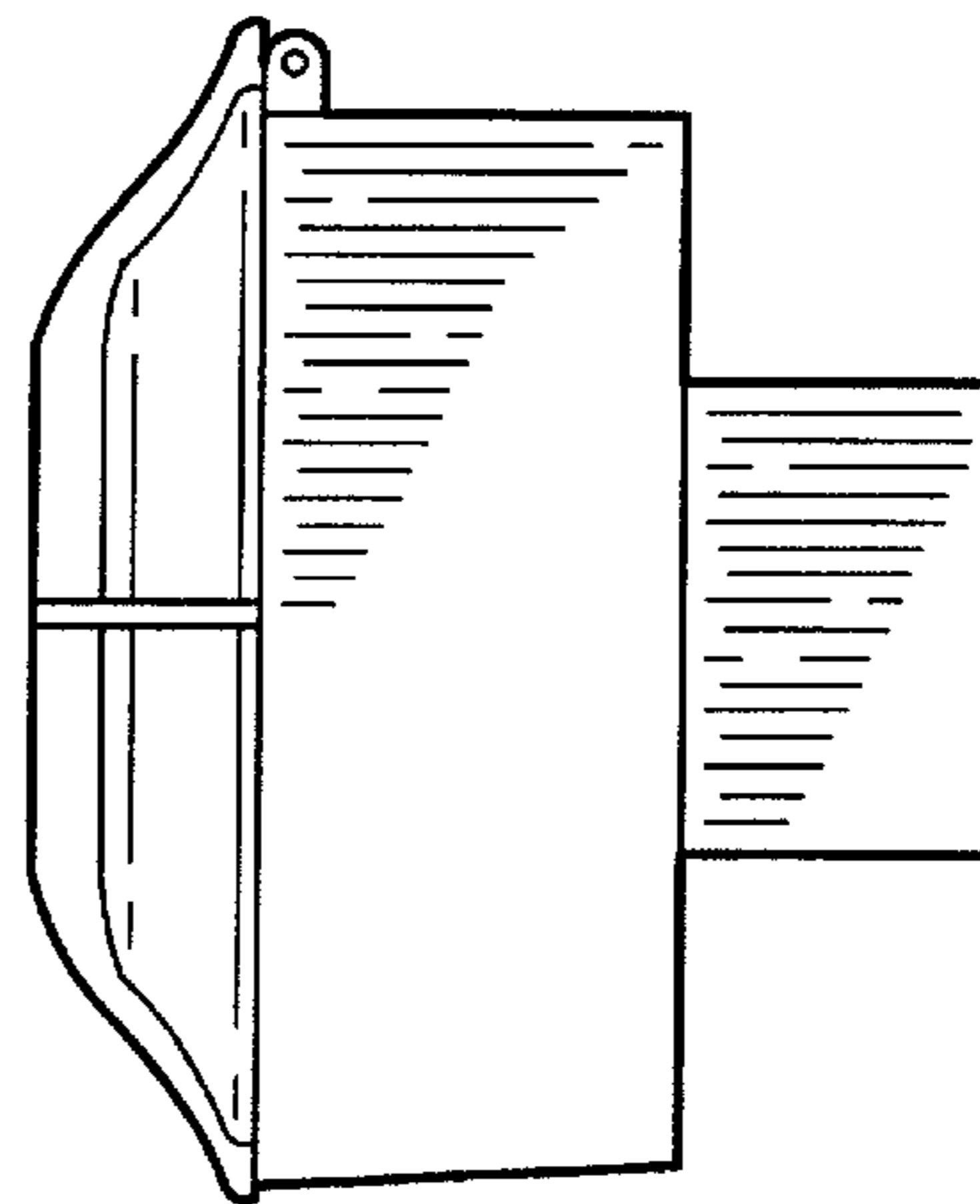


FIG. 8

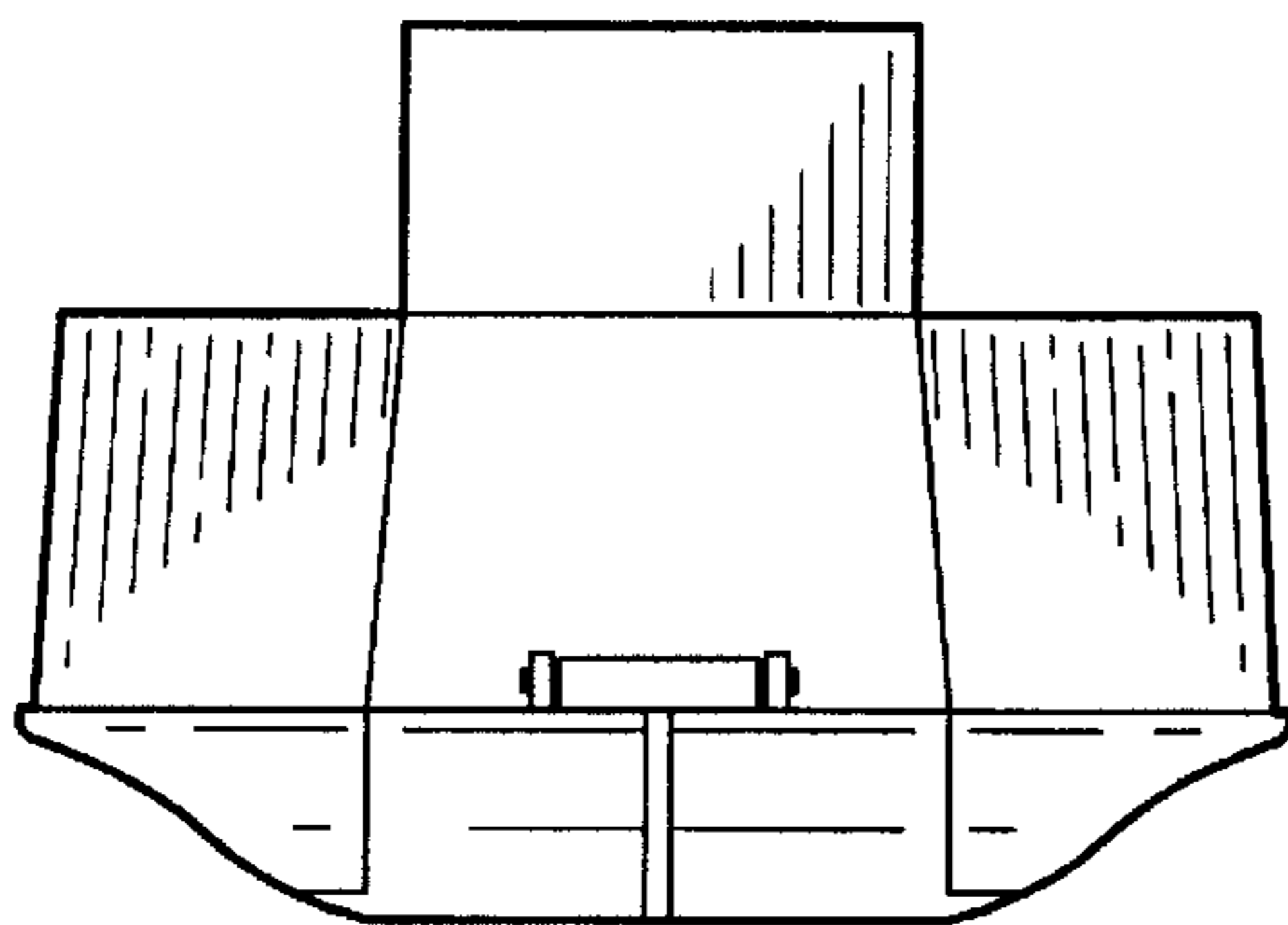


FIG. 9

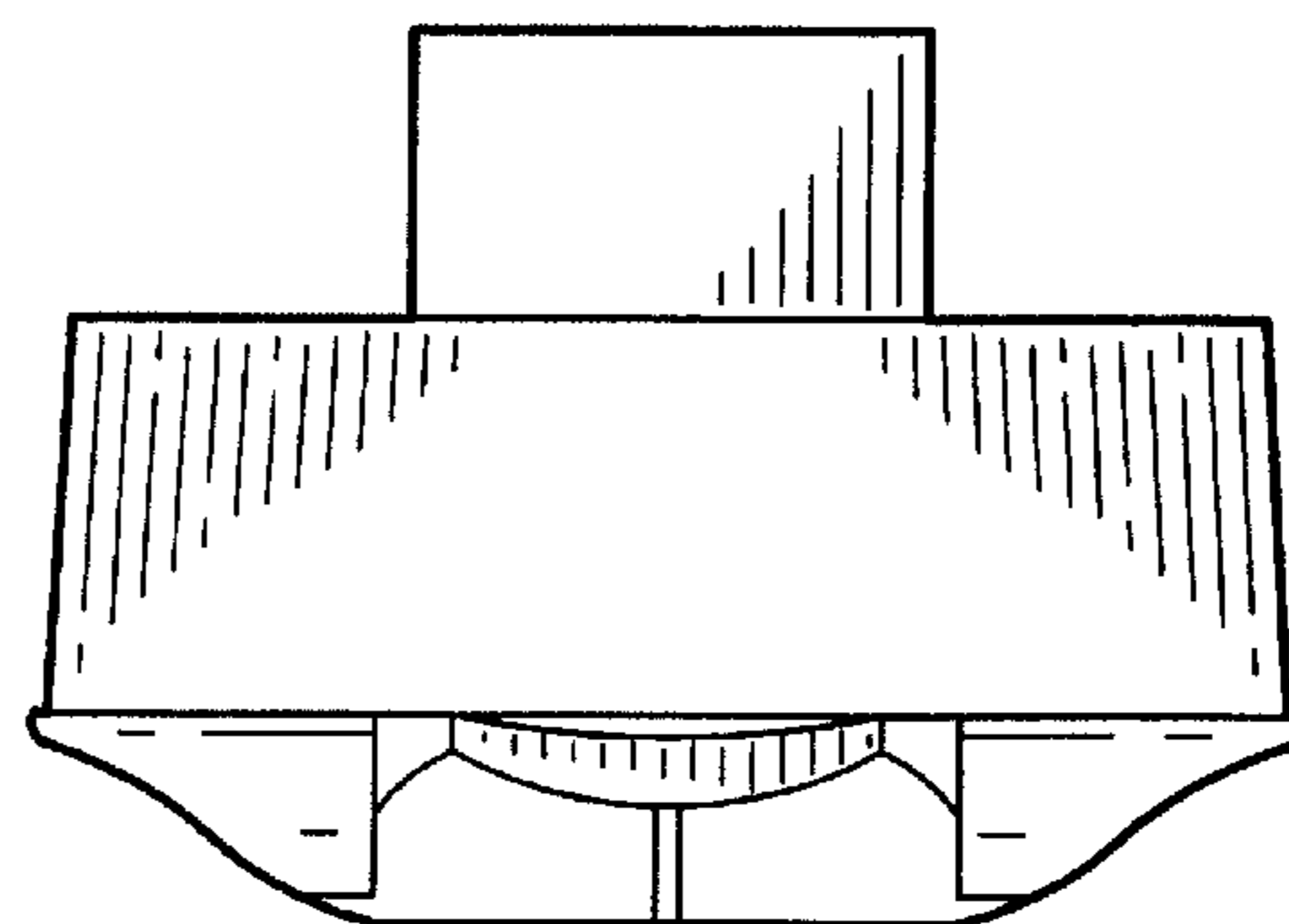


FIG. 10