



US00D528981S

(12) **United States Design Patent**  
**Bennett et al.**

(10) **Patent No.:** **US D528,981 S**

(45) **Date of Patent:** **\*\* Sep. 26, 2006**

(54) **GEAR HOUSING FOR AN AUTOMOTIVE STARTER MOTOR**

(75) Inventors: **Kevin Bennett**, Corryton, TN (US);  
**Coy Hudnall**, Knoxville, TN (US);  
**Darvin Brown, Sr.**, Knoxville, TN (US)

(73) Assignee: **Key Components, Inc.**, Knoxville, TN (US)

(\*\*) Term: **14 Years**

(21) Appl. No.: **29/210,004**

(22) Filed: **Jul. 26, 2004**

(51) **LOC (8) Cl.** ..... **13-01**

(52) **U.S. Cl.** ..... **D13/113**

(58) **Field of Classification Search** ..... D13/113,  
D13/101, 112, 118, 122, 184, 199; D15/5;  
310/75 R, 89; 476/42

See application file for complete search history.

(56) **References Cited**

**U.S. PATENT DOCUMENTS**

D138,774 S \* 9/1944 Hodges et al. .... D13/113

6,014,915 A \* 1/2000 Evans ..... 74/606 R  
D431,572 S \* 10/2000 Antony et al. .... D15/5  
D447,489 S \* 9/2001 Antony et al. .... D15/5  
2001/0026105 A1 \* 10/2001 Torii et al. .... 310/75 R

\* cited by examiner

*Primary Examiner*—Stella Reid

*Assistant Examiner*—Derrick Holland

(74) *Attorney, Agent, or Firm*—William M. Hobby, III

(57) **CLAIM**

The ornamental design for a gear housing for an automotive starter motor, as shown.

**DESCRIPTION**

FIG. 1 is a top, front perspective view of my new gear housing for an automotive starter motor;

FIG. 2 is a left side elevation;

FIG. 3 is a right side elevation;

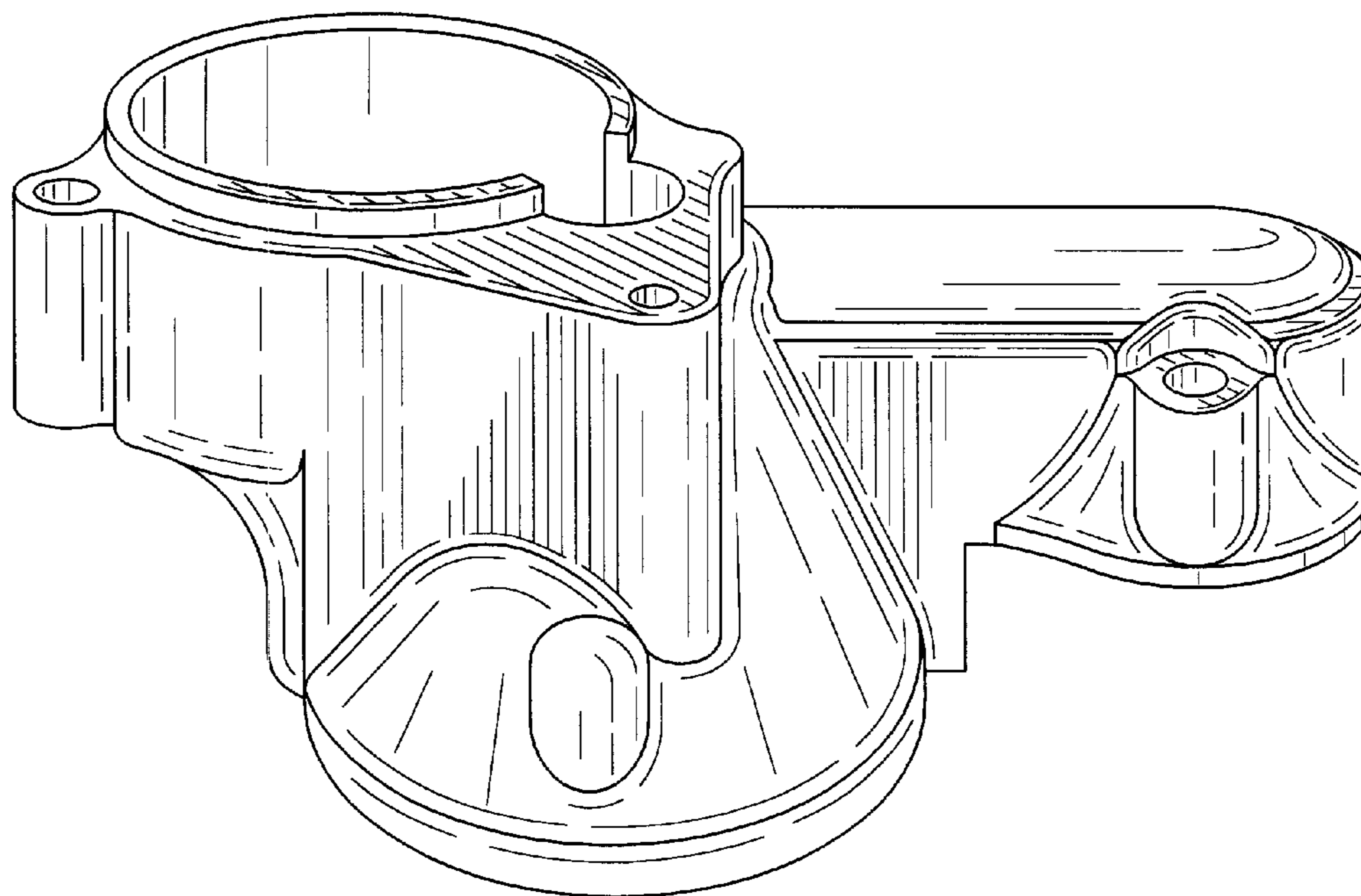
FIG. 4 is a front elevation;

FIG. 5 is a rear elevation;

FIG. 6 is a top plan view; and,

FIG. 7 is a bottom plan view.

**1 Claim, 4 Drawing Sheets**



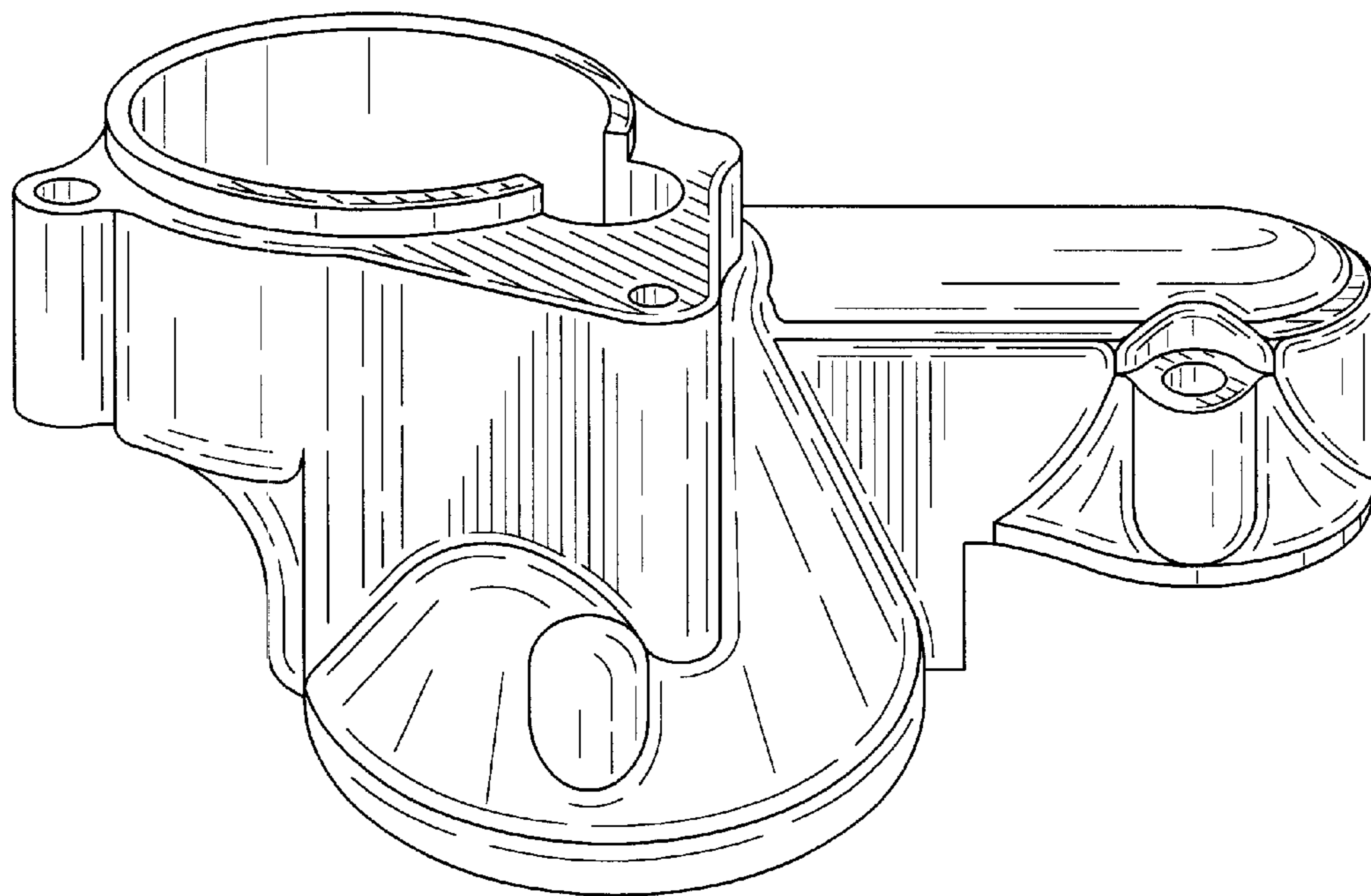


FIG. 1

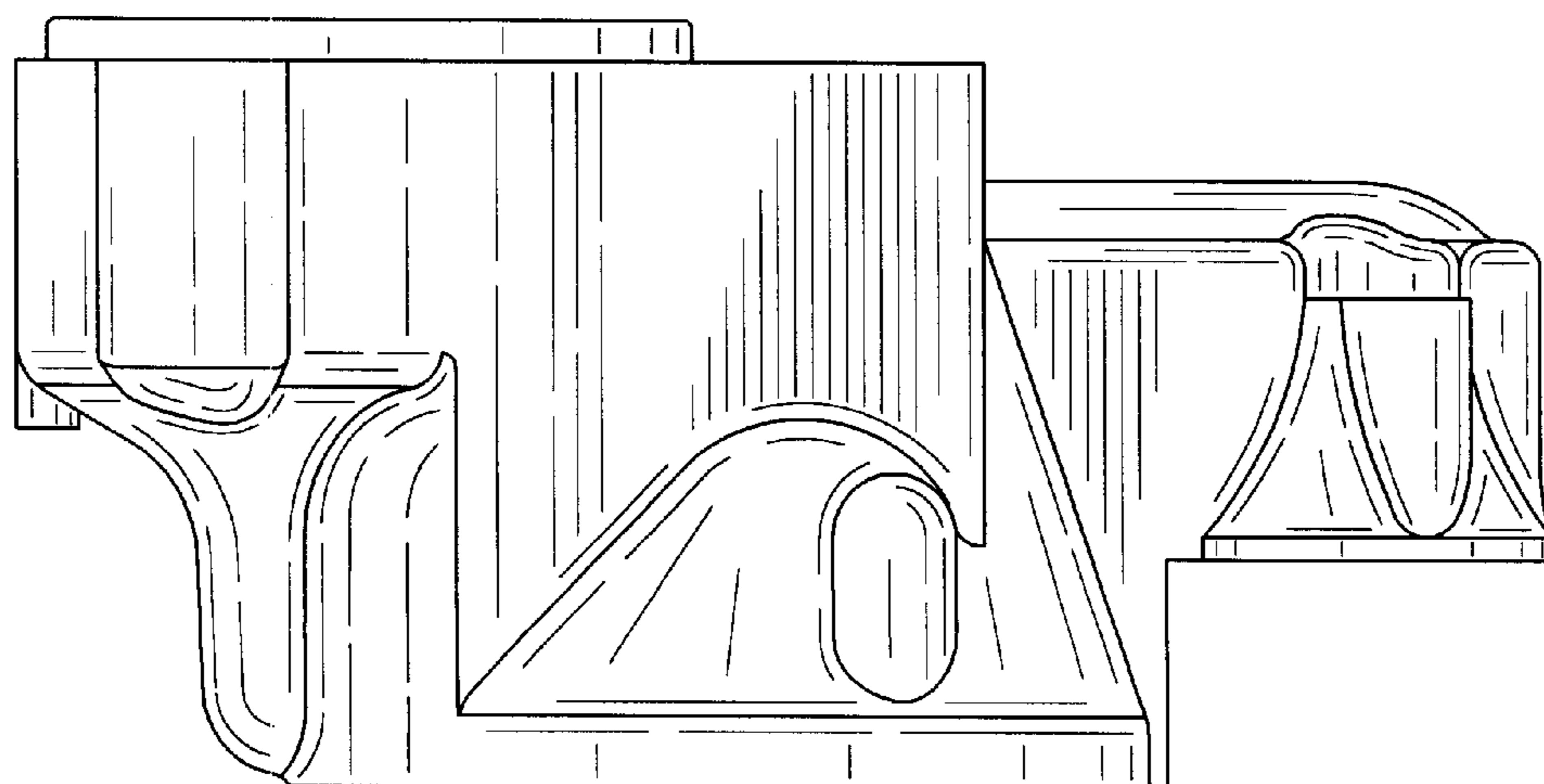


FIG. 2

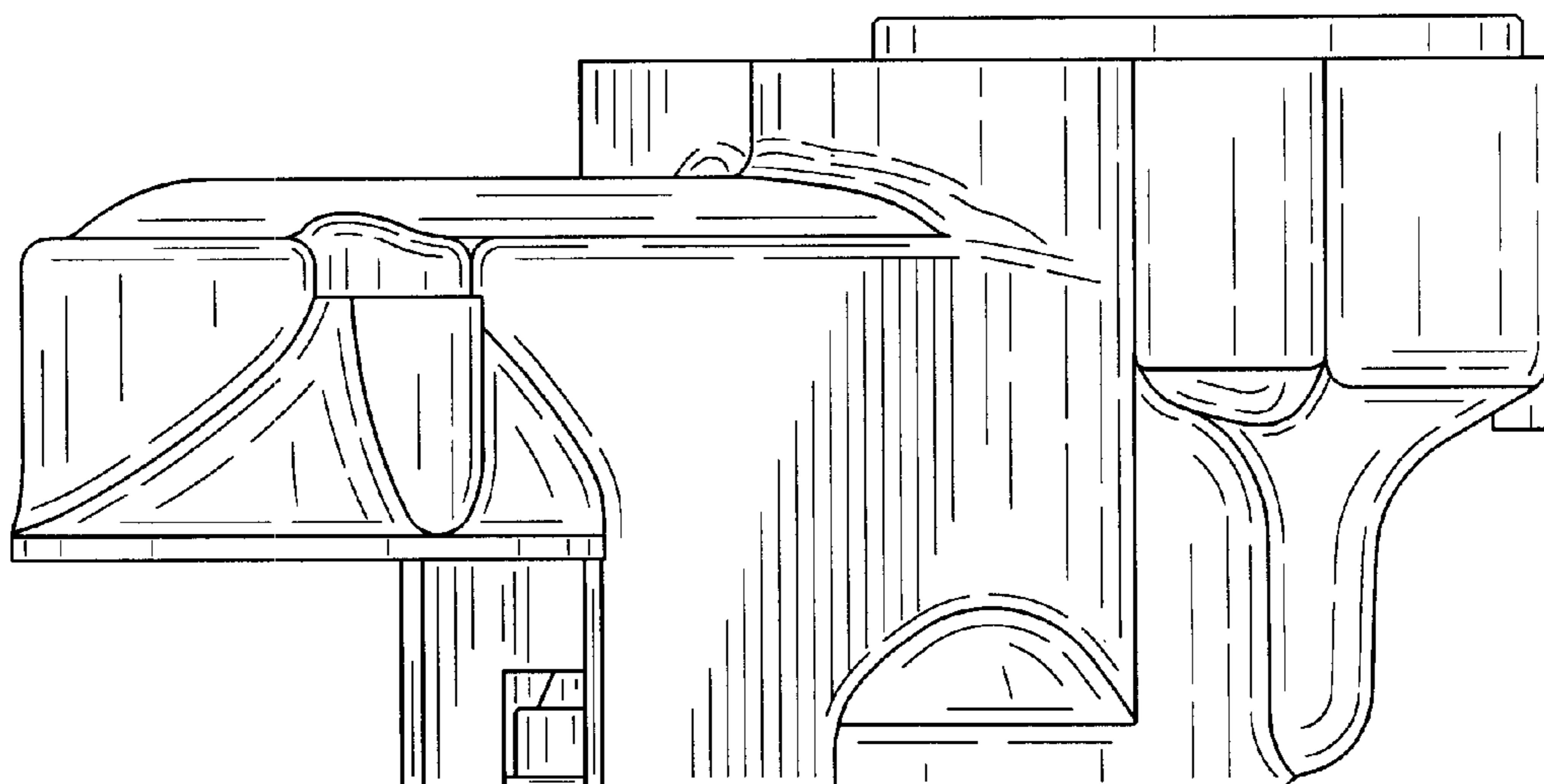


FIG. 3

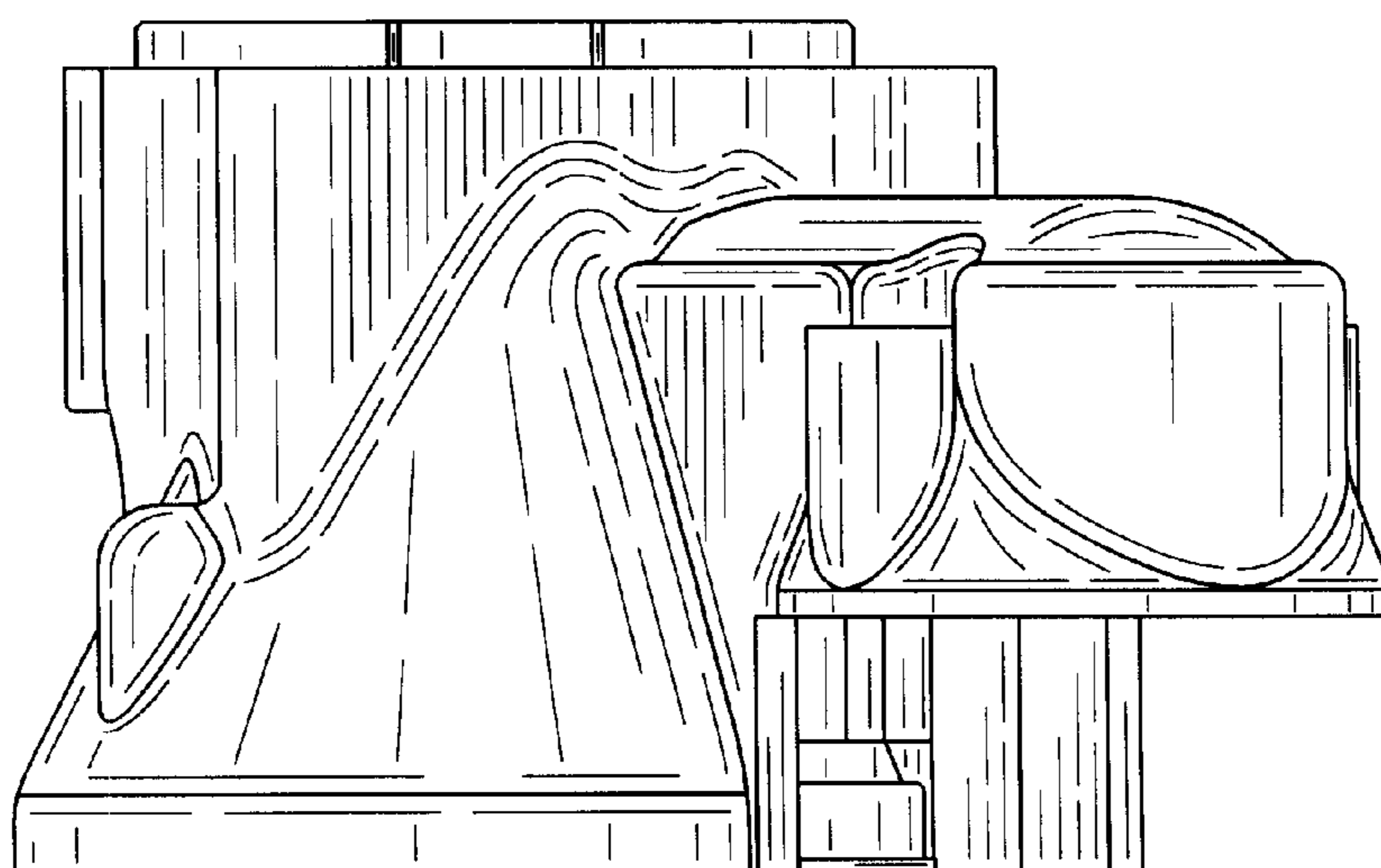


FIG. 4

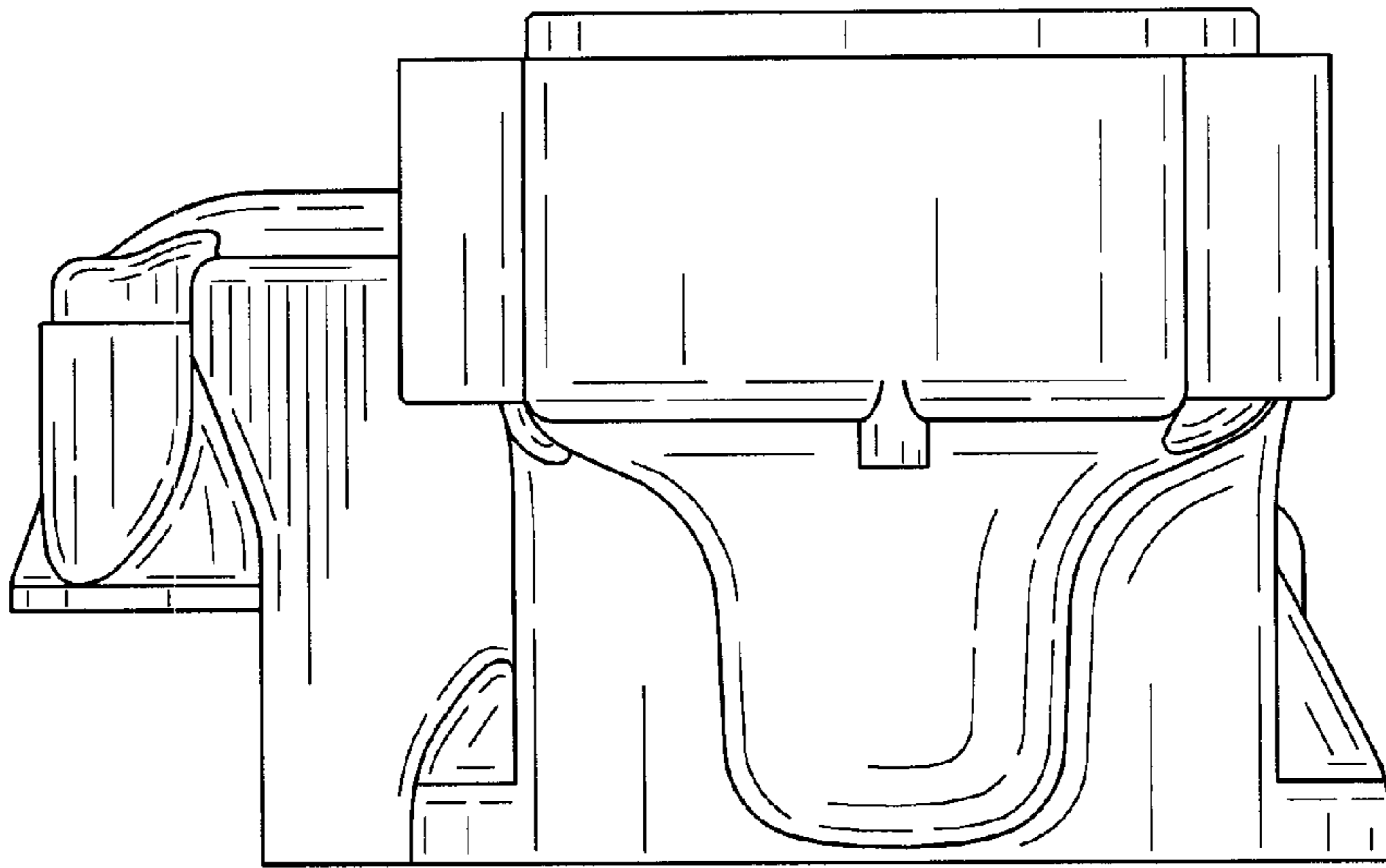


FIG. 5

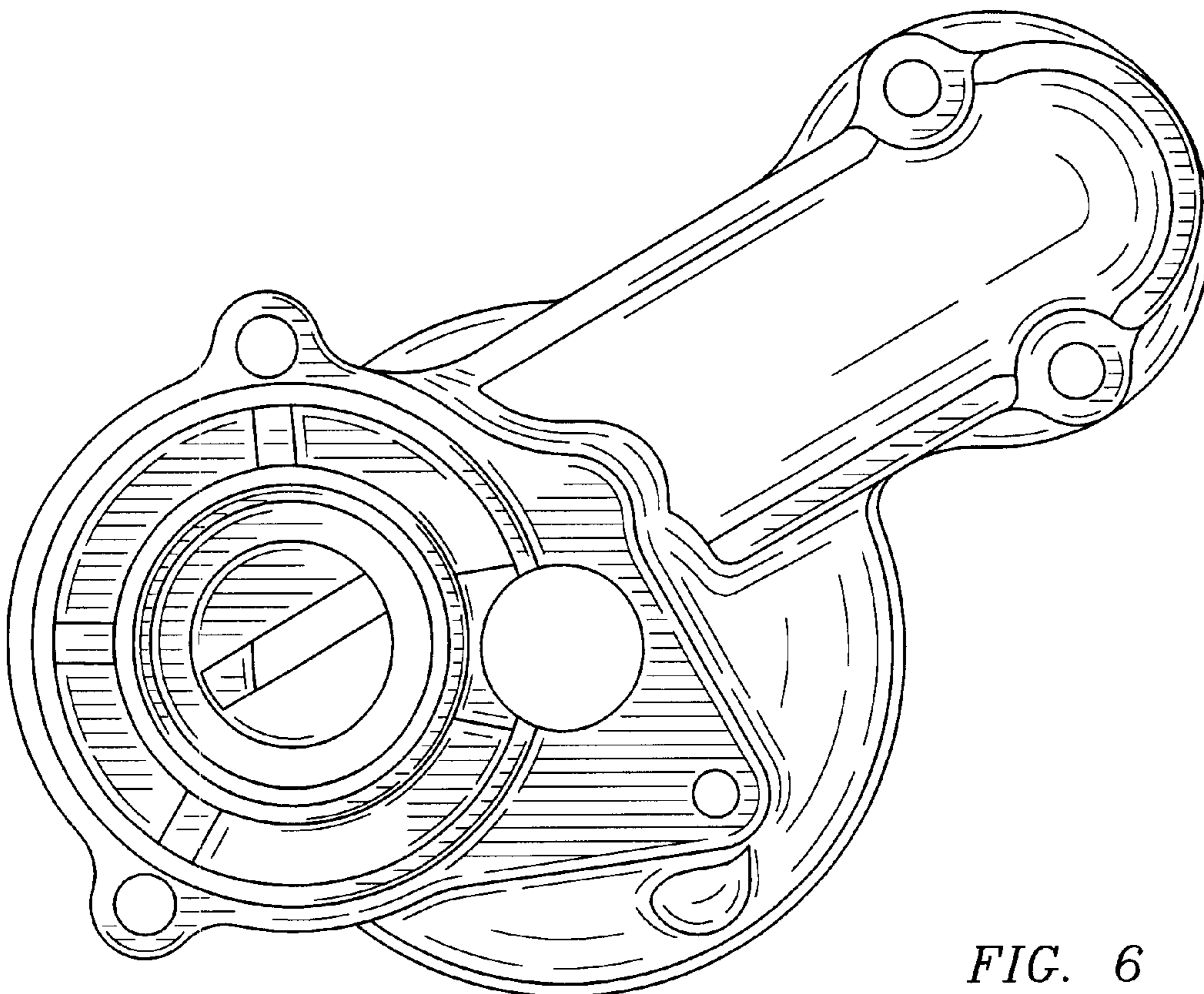


FIG. 6

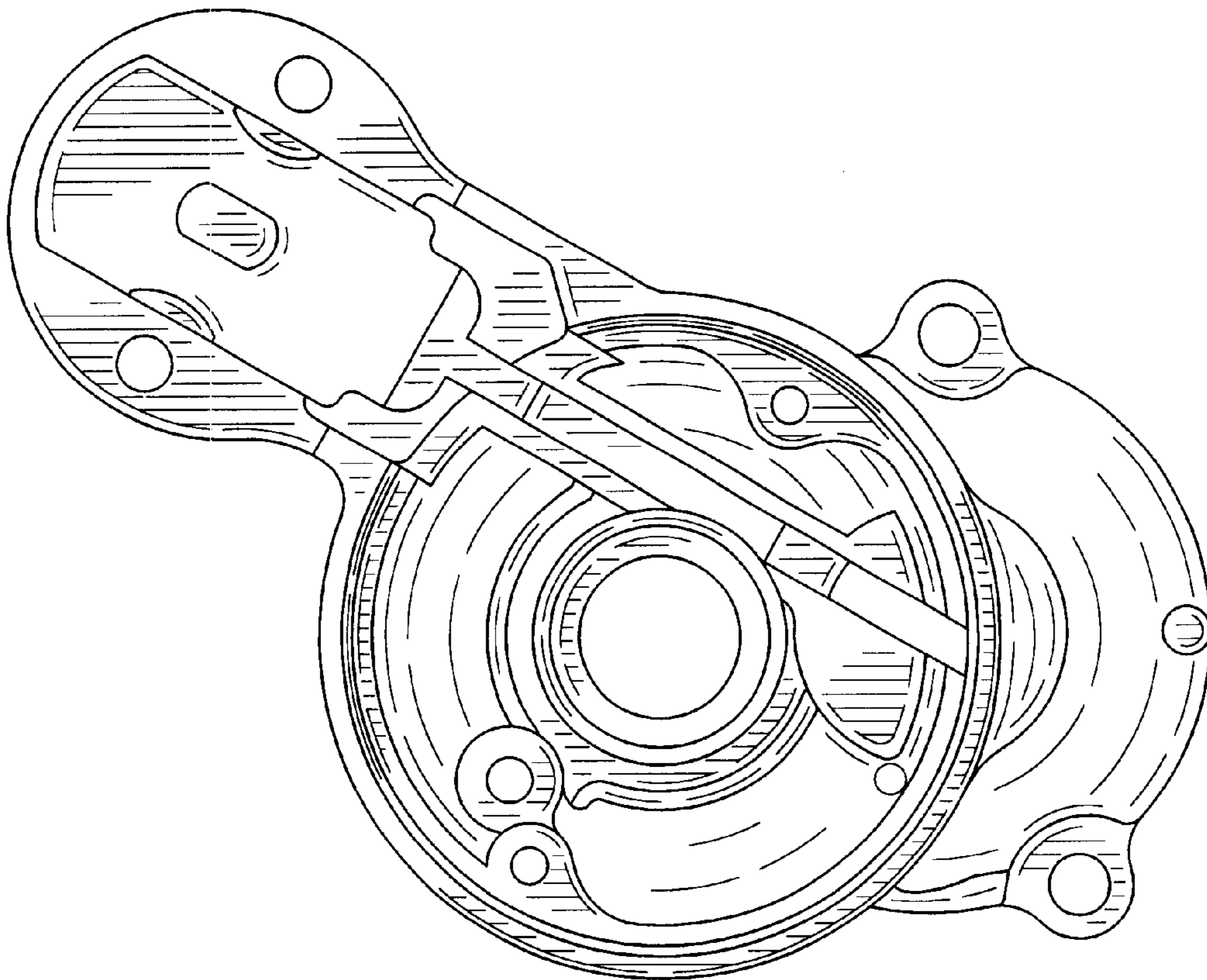


FIG. 7