

US00D528980S

(12) **United States Design Patent**
Kobayashi et al.

(10) **Patent No.:** **US D528,980 S**
(45) **Date of Patent:** **** Sep. 26, 2006**

(54) **NOISE FILTER**

(75) Inventors: **Katsumi Kobayashi**, Sakata (JP);
Toshihiro Kuroshima, Sakata (JP)
(73) Assignee: **TDK Corporation**, Tokyo (JP)
(**) Term: **14 Years**

(21) Appl. No.: **29/220,927**

(22) Filed: **Jan. 10, 2005**

(30) **Foreign Application Priority Data**

Jul. 13, 2004 (JP) 2004-021134

(51) **LOC (8) Cl.** **13-02**

(52) **U.S. Cl.** **D13/110; D13/133**

(58) **Field of Classification Search** D13/110,
D13/101, 118, 133, 146, 156; D8/396; 174/19,
174/58, 60, 257, 258; 307/151; 361/679,
361/707, 728; 363/39

See application file for complete search history.

(56) **References Cited**

U.S. PATENT DOCUMENTS

D314,186 S * 1/1991 Fujioka D13/199
D319,217 S * 8/1991 Fujioka D13/199
D361,310 S * 8/1995 Kawamura D13/110
D369,778 S * 5/1996 Tamaki D13/110
5,920,250 A * 7/1999 Watanabe et al. 336/92
6,072,125 A * 6/2000 Takeuchi 174/92
6,469,589 B1 * 10/2002 Takeda 333/12

FOREIGN PATENT DOCUMENTS

JP U 03-013798 2/1991
JP U 03-013799 2/1991
JP U 03-059693 6/1991
JP U 03-077421 8/1991
JP A 03-181106 8/1991
JP A 10-032395 2/1998
JP A 2000-091136 3/2000
JP 1127718 12/2001

* cited by examiner

Primary Examiner—Stella Reid

Assistant Examiner—Derrick Holland

(74) *Attorney, Agent, or Firm*—Oliff & Berridge, PLC

(57) **CLAIM**

The ornamental design for noise filter, as shown and described.

DESCRIPTION

FIG. 1 is a perspective view of a noise filter, showing our new design;

FIG. 2 is a front elevation view thereof;

FIG. 3 is a rear elevation view thereof;

FIG. 4 is a right side elevation view, with the left side being a mirror image thereof;

FIG. 5 is a top plan view thereof;

FIG. 6 is a bottom plan view thereof; and,

FIG. 7 is a perspective view thereof.

The broken lines showing is for illustrative purposes only and forms no part of the claimed design.

1 Claim, 4 Drawing Sheets

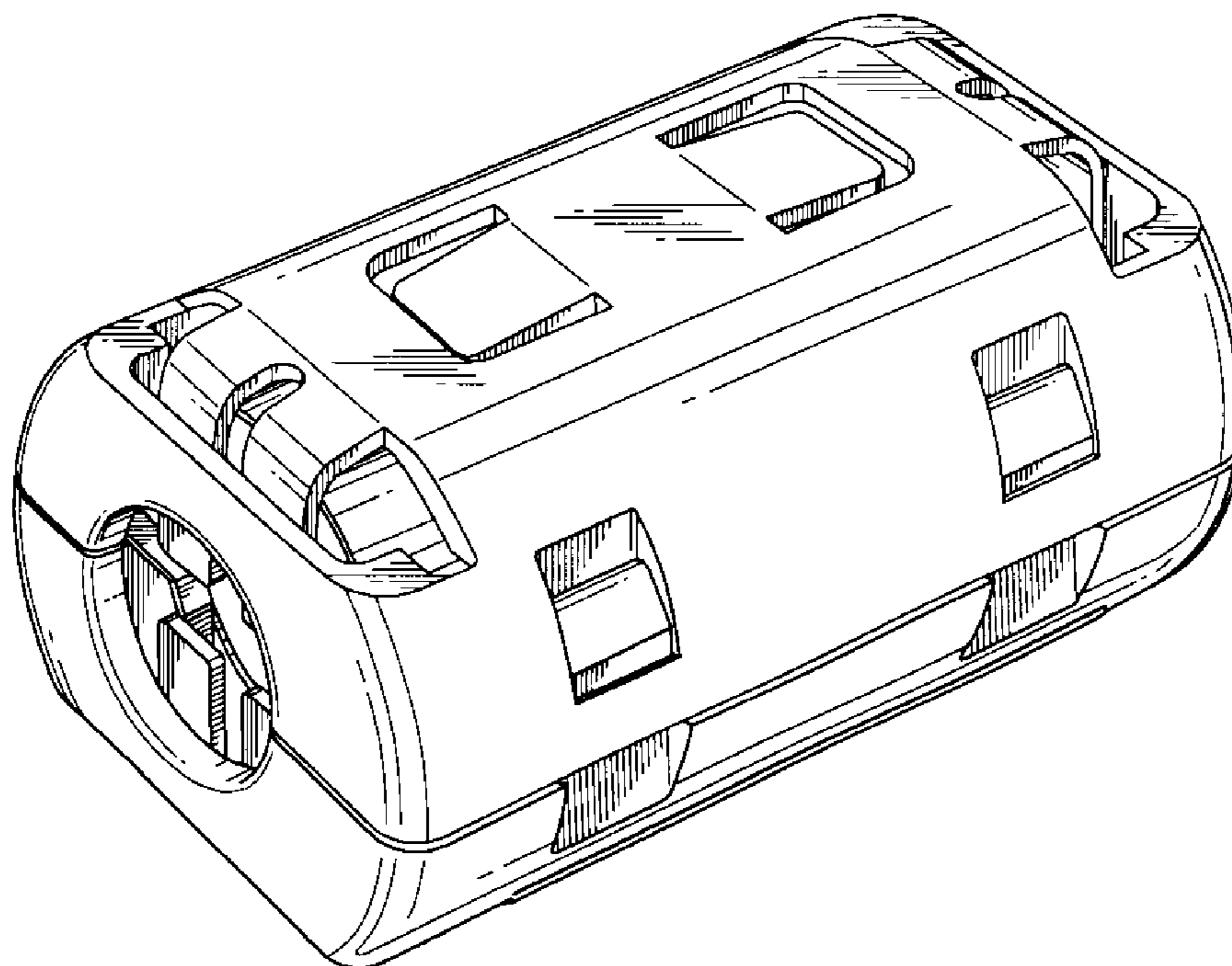


FIG.1

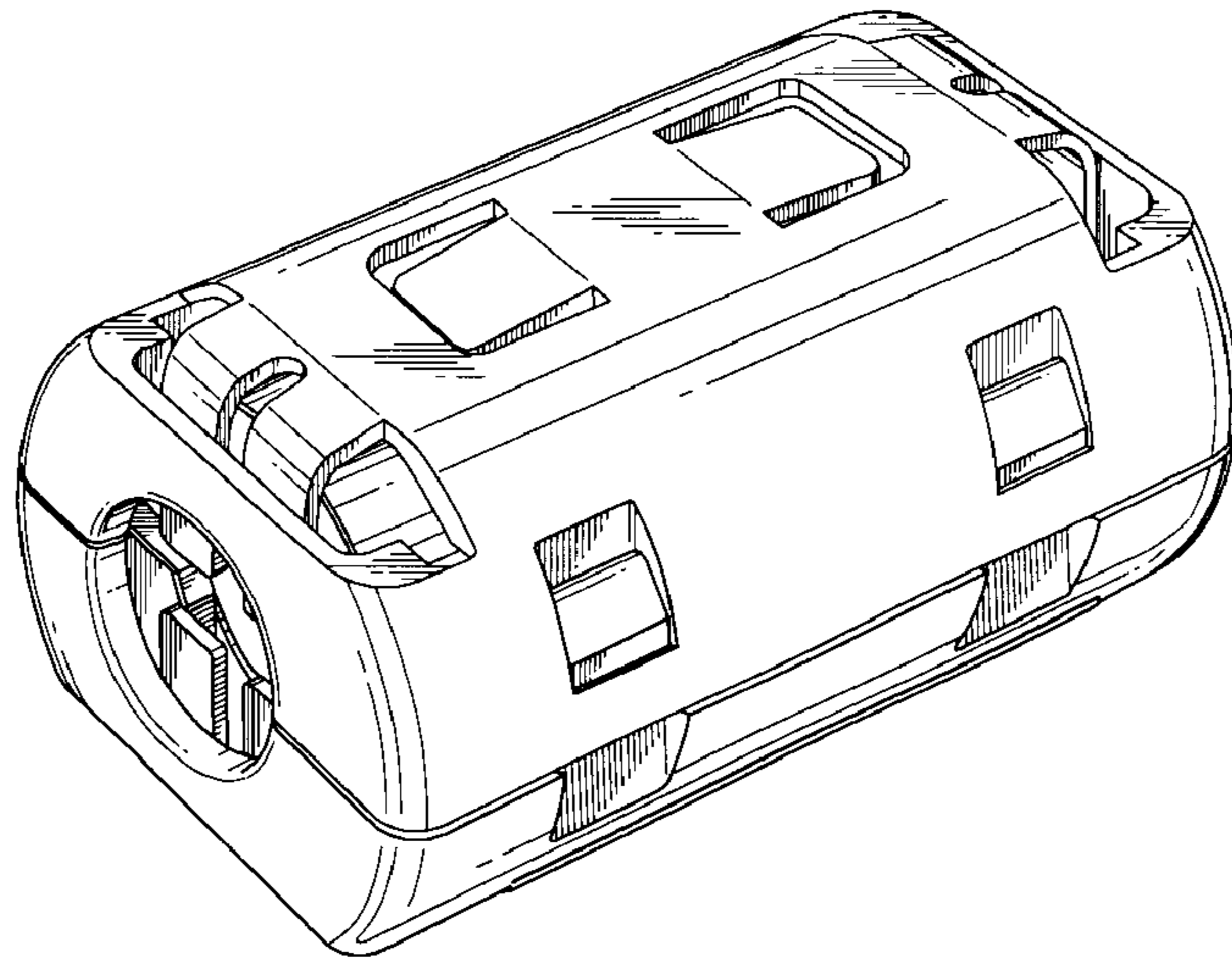


FIG.2

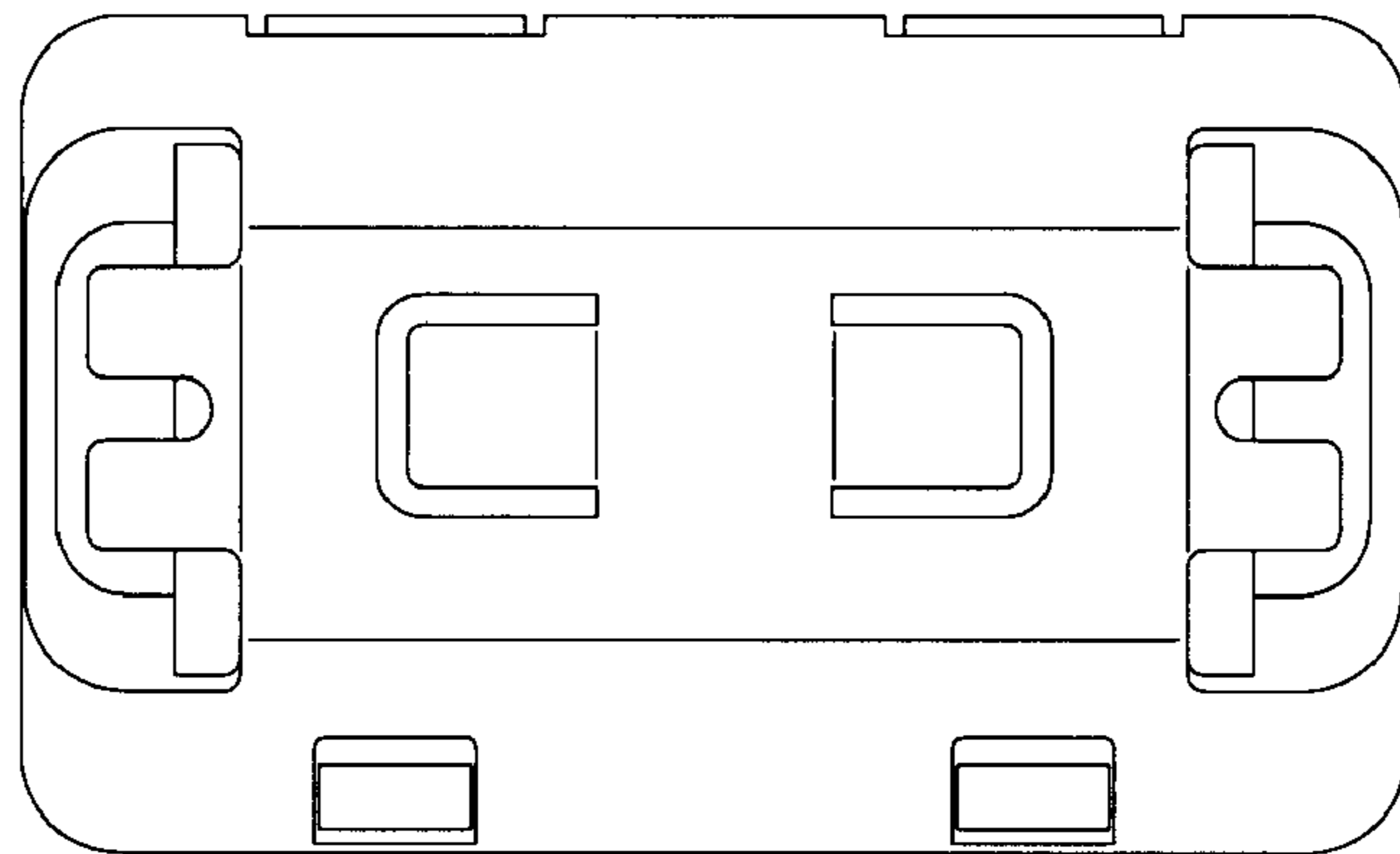


FIG.3

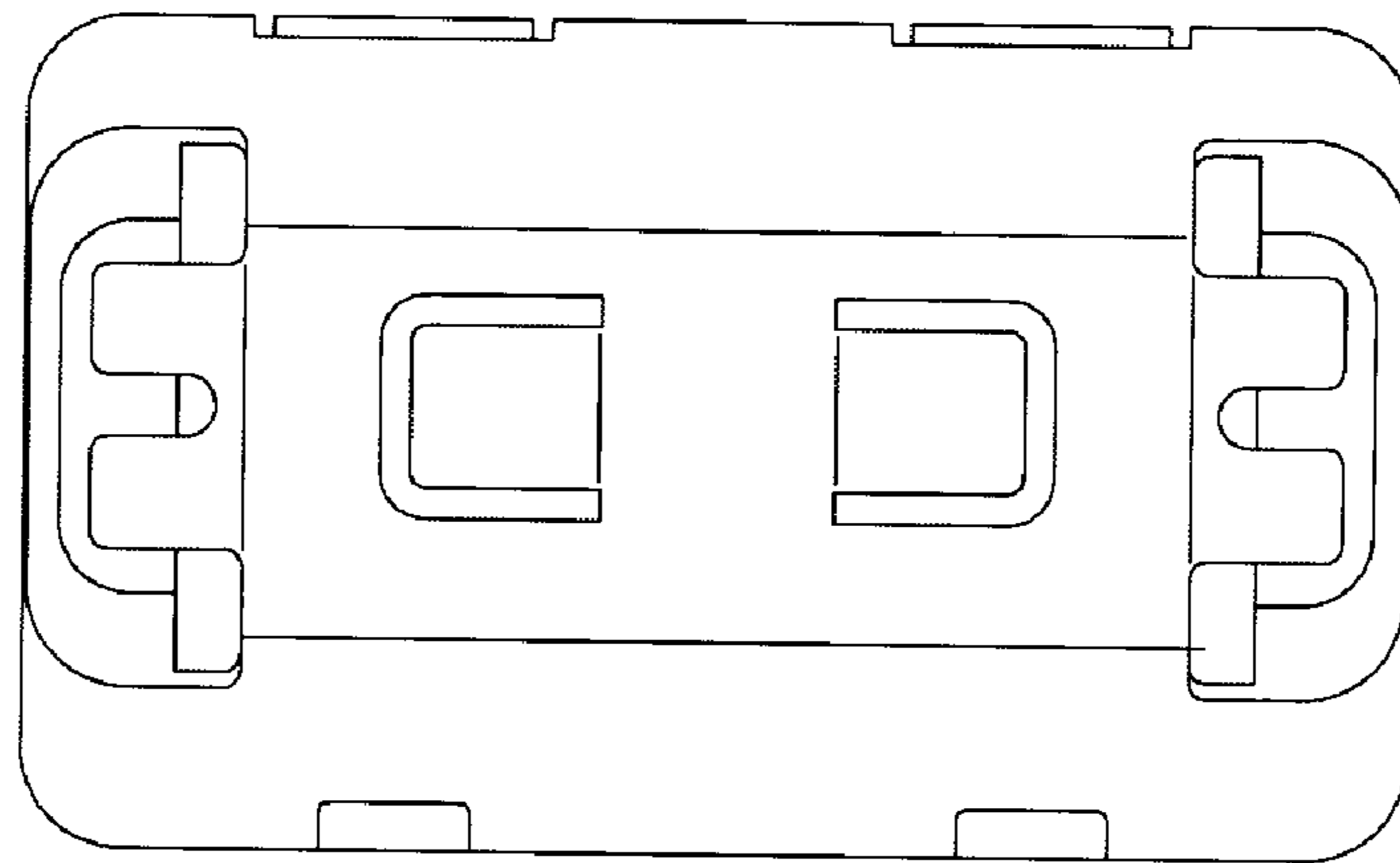


FIG.4

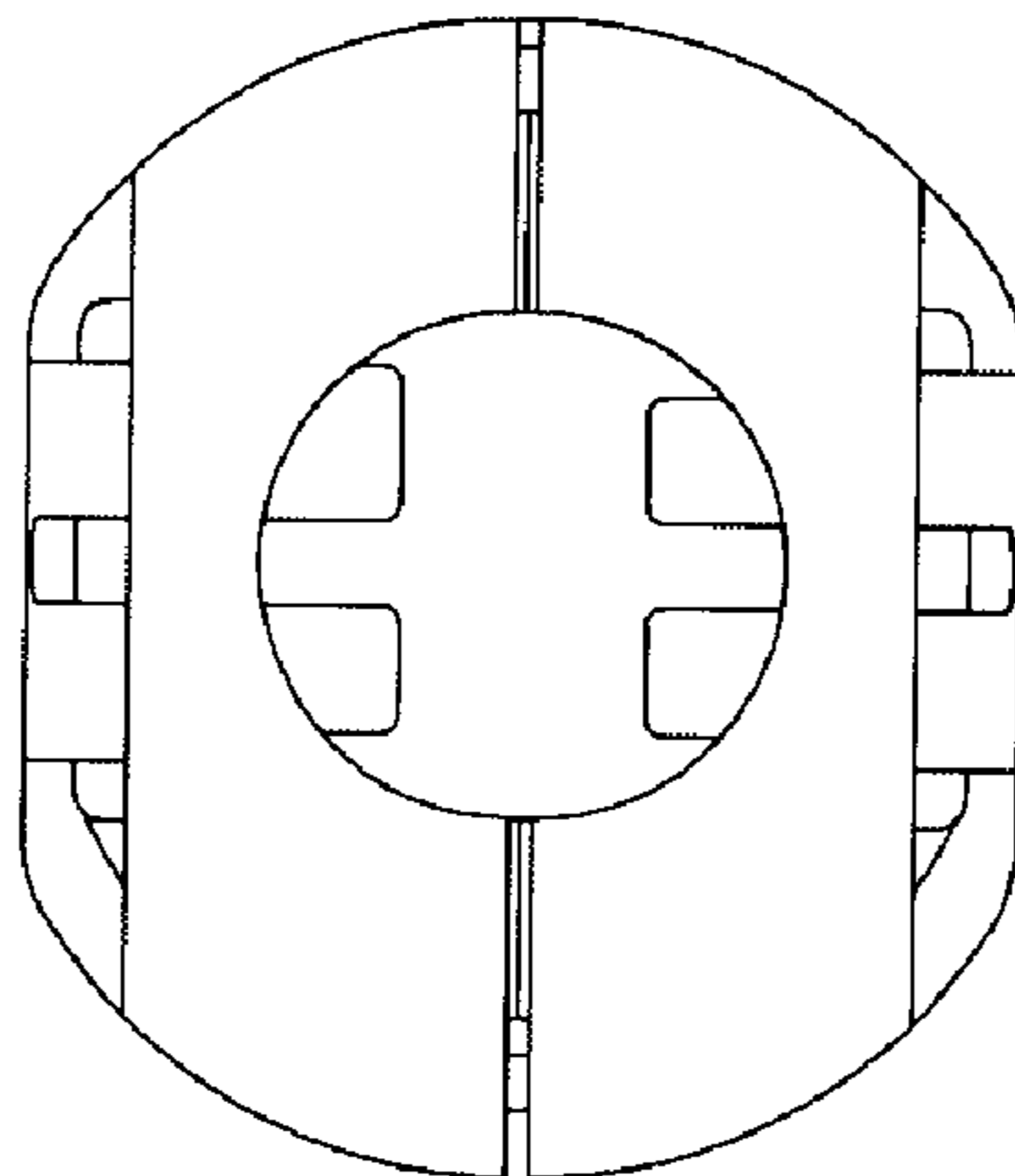


FIG.5

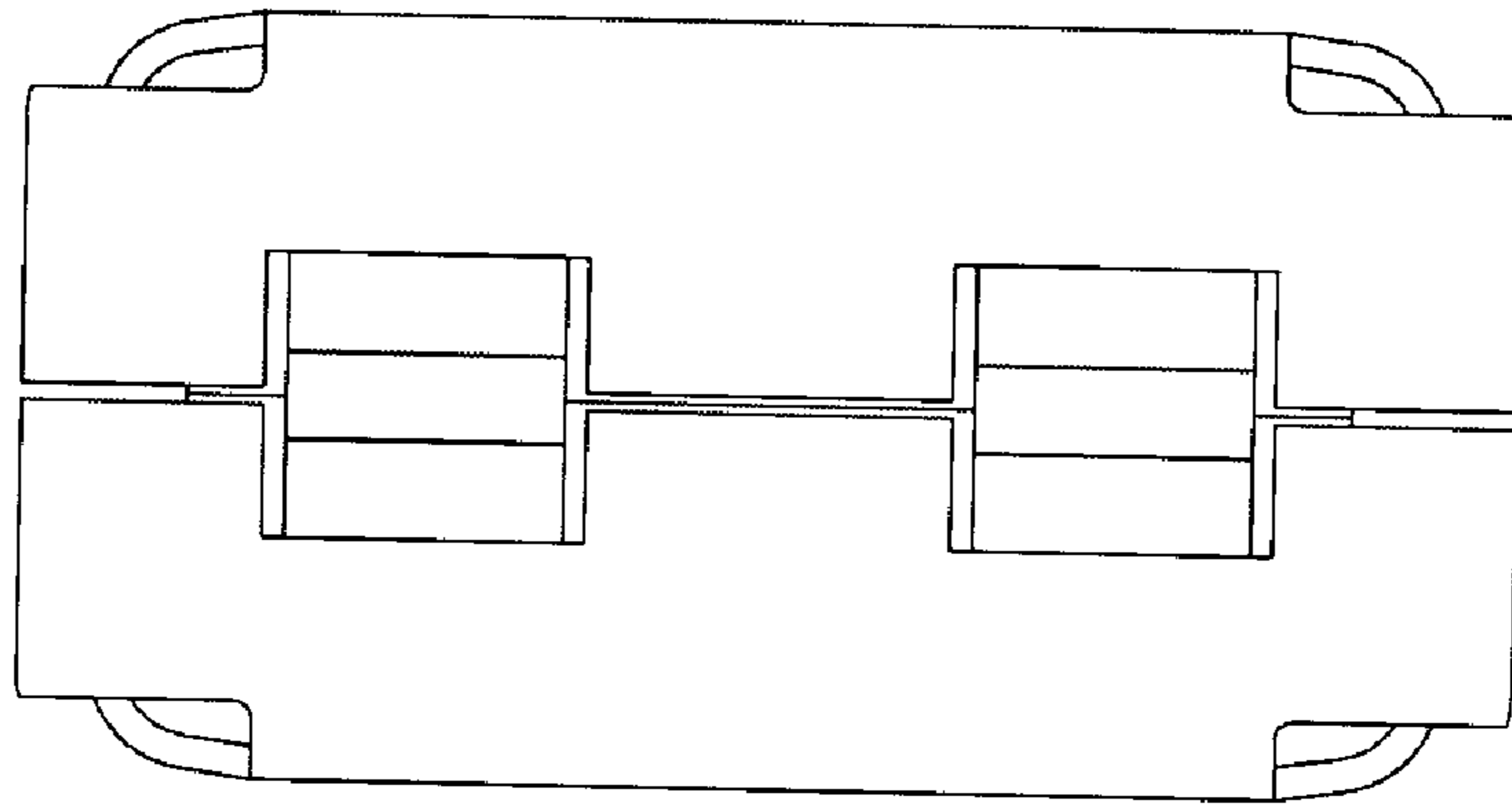


FIG.6

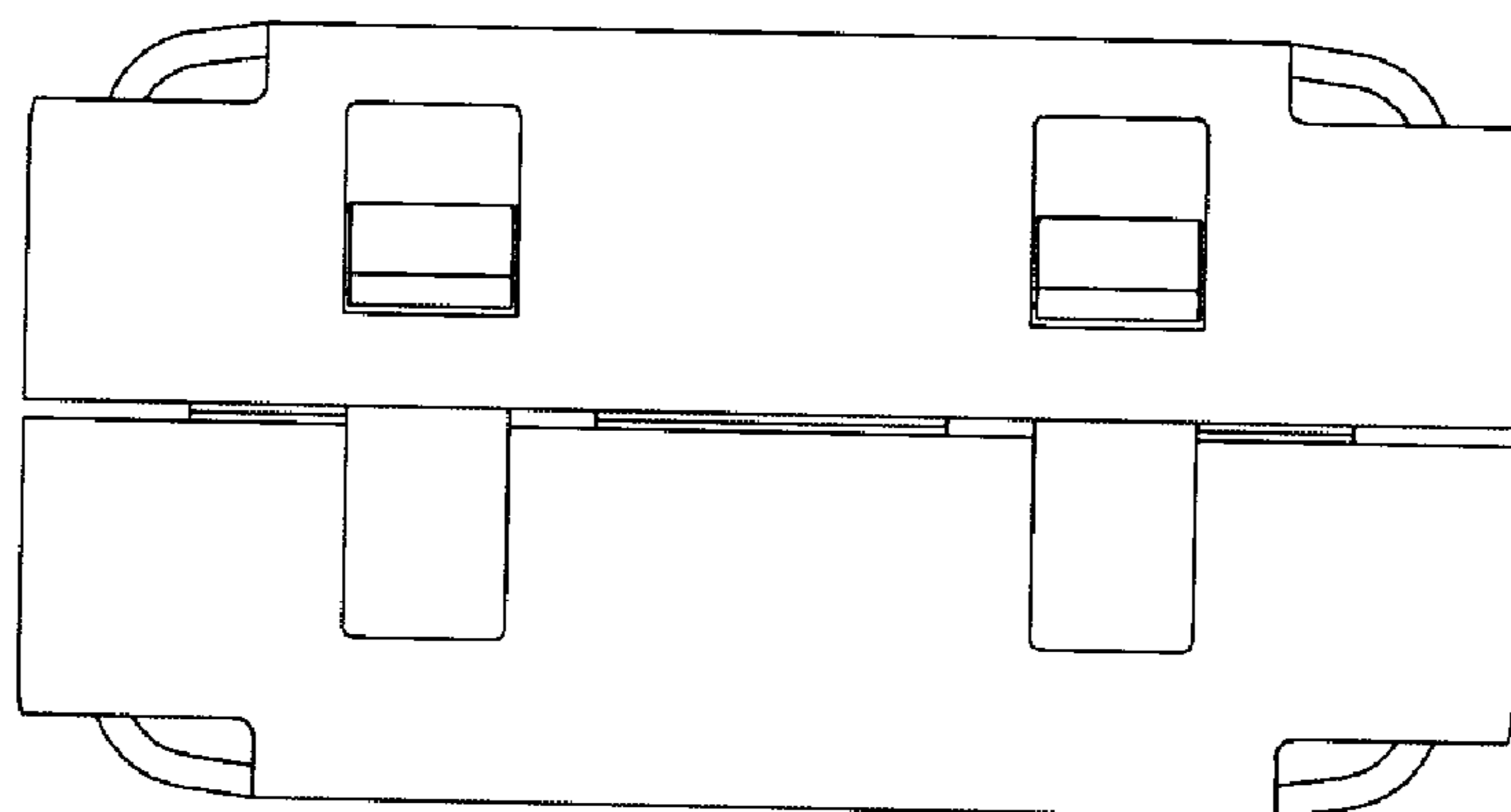


FIG.7

