



US00D528979S

(12) **United States Design Patent**
Franck et al.

(10) **Patent No.:** **US D528,979 S**

(45) **Date of Patent:** **** Sep. 26, 2006**

(54) **BASE FOR A CORDLESS TELEPHONE CHARGER**

(75) Inventors: **Christopher G. Franck**, Decatur, GA (US); **Matthew M. Julian**, Sunrise, FL (US)

(73) Assignee: **General Instrument Corporation**, Horsham, PA (US)

(**) Term: **14 Years**

(21) Appl. No.: **29/224,527**

(22) Filed: **Mar. 3, 2005**

(51) **LOC (8) Cl.** **13-02**

(52) **U.S. Cl.** **D13/108**

(58) **Field of Classification Search** D13/107-110, D13/118-119, 184; D14/155, 251, 253, 432, D14/434; D32/73; 320/107-115
See application file for complete search history.

(56) **References Cited**

U.S. PATENT DOCUMENTS

D307,016 S	*	4/1990	Watanabe	D14/240
D349,097 S	*	7/1994	Watanabe	D13/108
D351,132 S	*	10/1994	Brooks et al.	D13/108
D385,530 S	*	10/1997	Hames et al.	D13/107
D395,280 S	*	6/1998	Phelps	D13/108

D460,446 S	*	7/2002	Hughes et al.	D14/253
D468,305 S	*	1/2003	Ma et al.	D14/253
D472,538 S	*	4/2003	Chan	D14/149
D478,884 S	*	8/2003	Slipy et al.	D14/149
D480,376 S	*	10/2003	Ma	D14/149
D510,091 S	*	9/2005	Mori et al.	D14/434

* cited by examiner

Primary Examiner—Alan P. Douglas

Assistant Examiner—Rosemary K. Tarcza

(74) *Attorney, Agent, or Firm*—Benjamin D. Driscoll

(57) **CLAIM**

The ornamental design for a base for a cordless telephone charger, as shown and described.

DESCRIPTION

FIG. 1 is a front perspective view of a base for a cordless telephone charger in accordance with an exemplary embodiment of the present invention.

FIG. 2 is a top view of the base of FIG. 1;

FIG. 3 is a bottom view of the base of FIG. 1;

FIG. 4 is a front view of the base of FIG. 1;

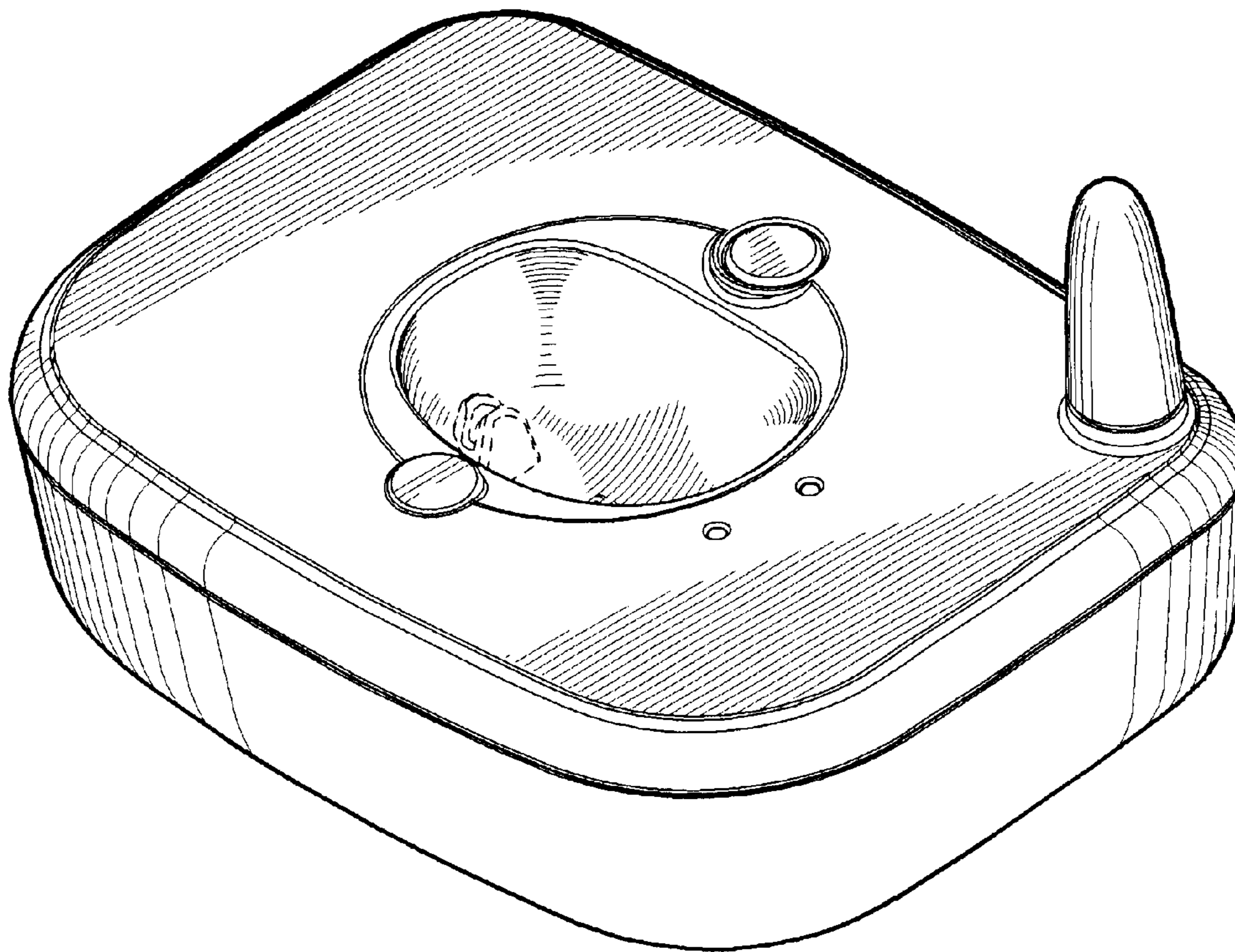
FIG. 5 is a back view of the base of FIG. 1;

FIG. 6 is a side end view of the base of FIG. 1; and,

FIG. 7 is an opposite side end view of the base of FIG. 1.

The portions drawn in broken lines are shown for illustrative purposes only and do not form part of the claimed design.

1 Claim, 4 Drawing Sheets



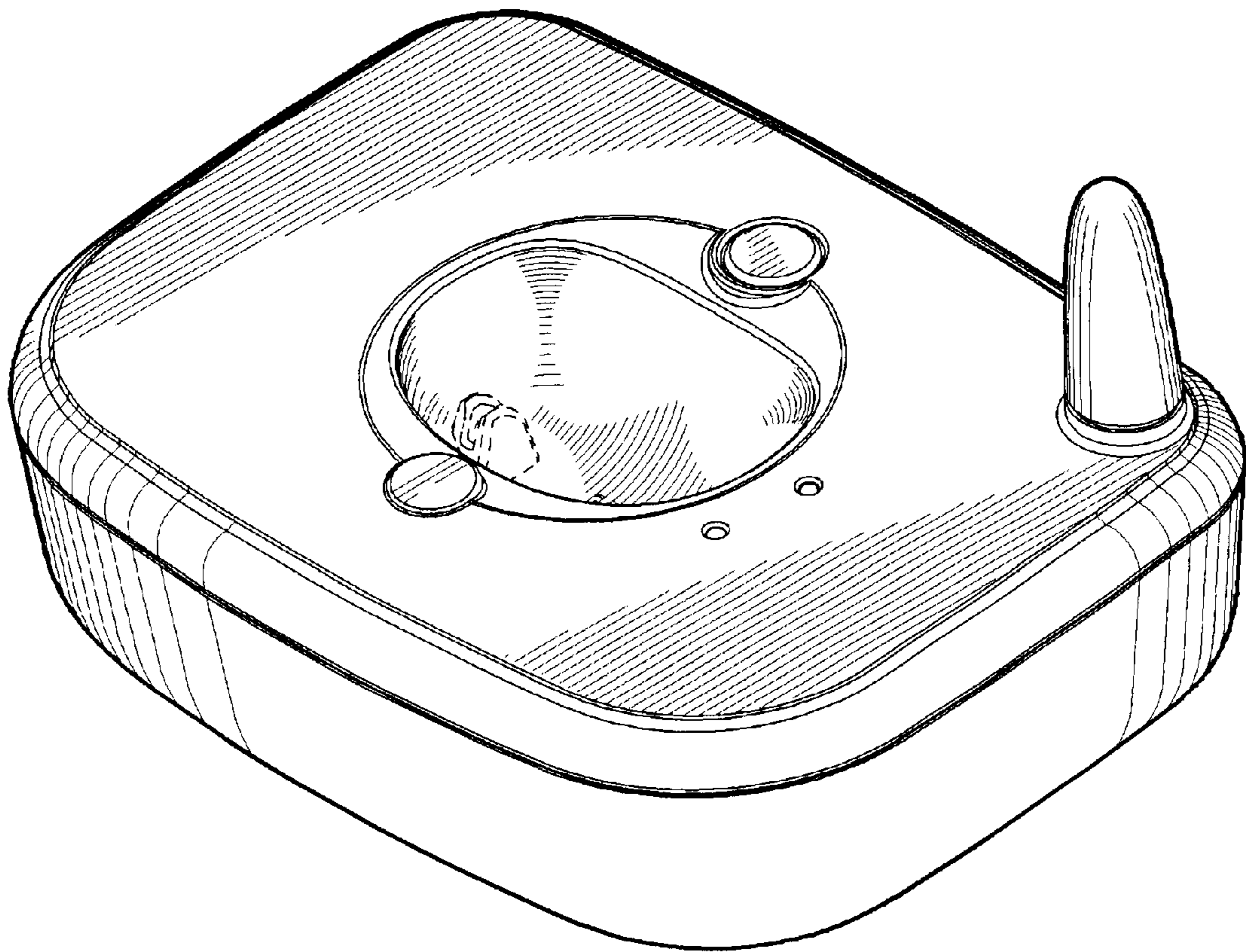


FIG. 1

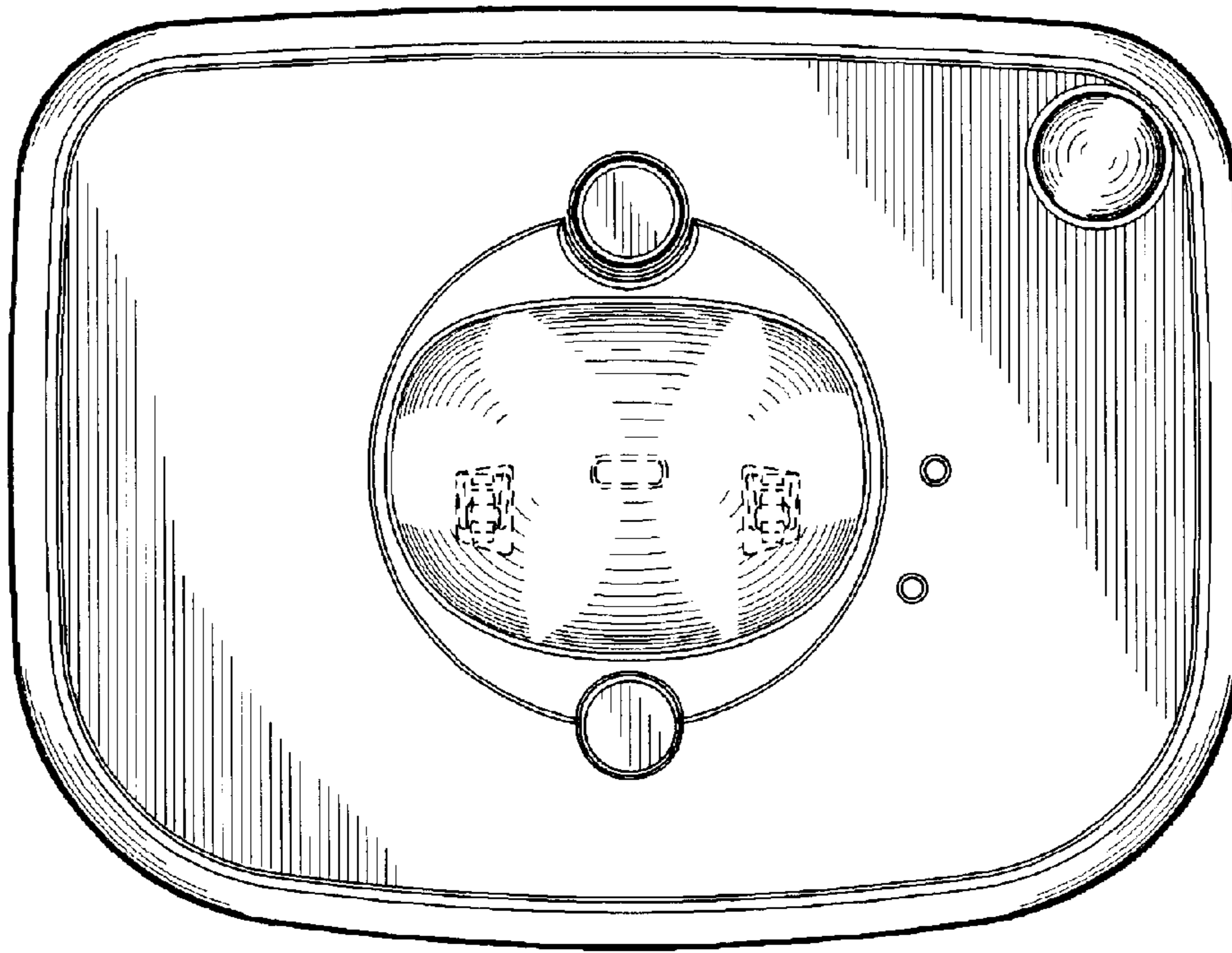


FIG. 2

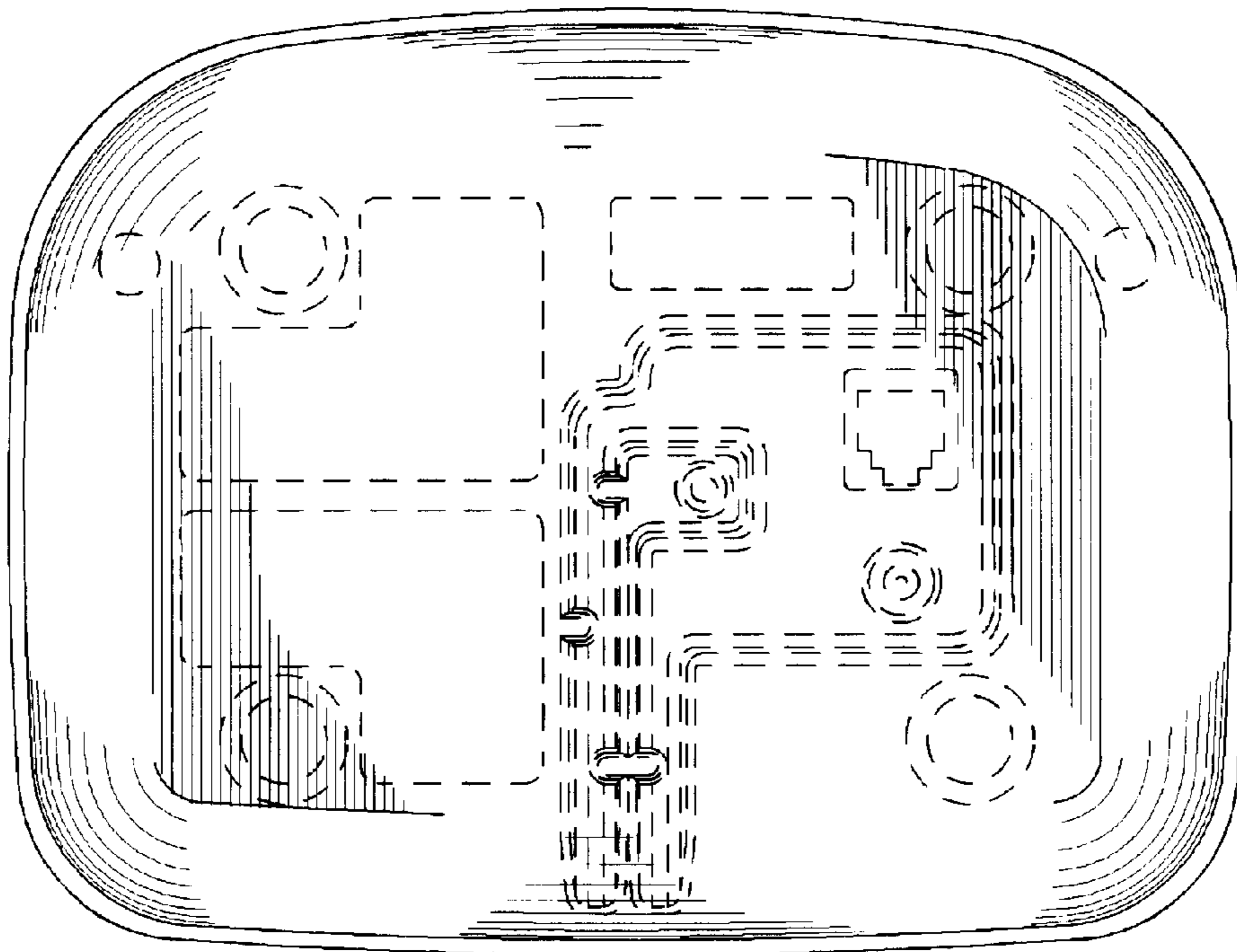


FIG. 3

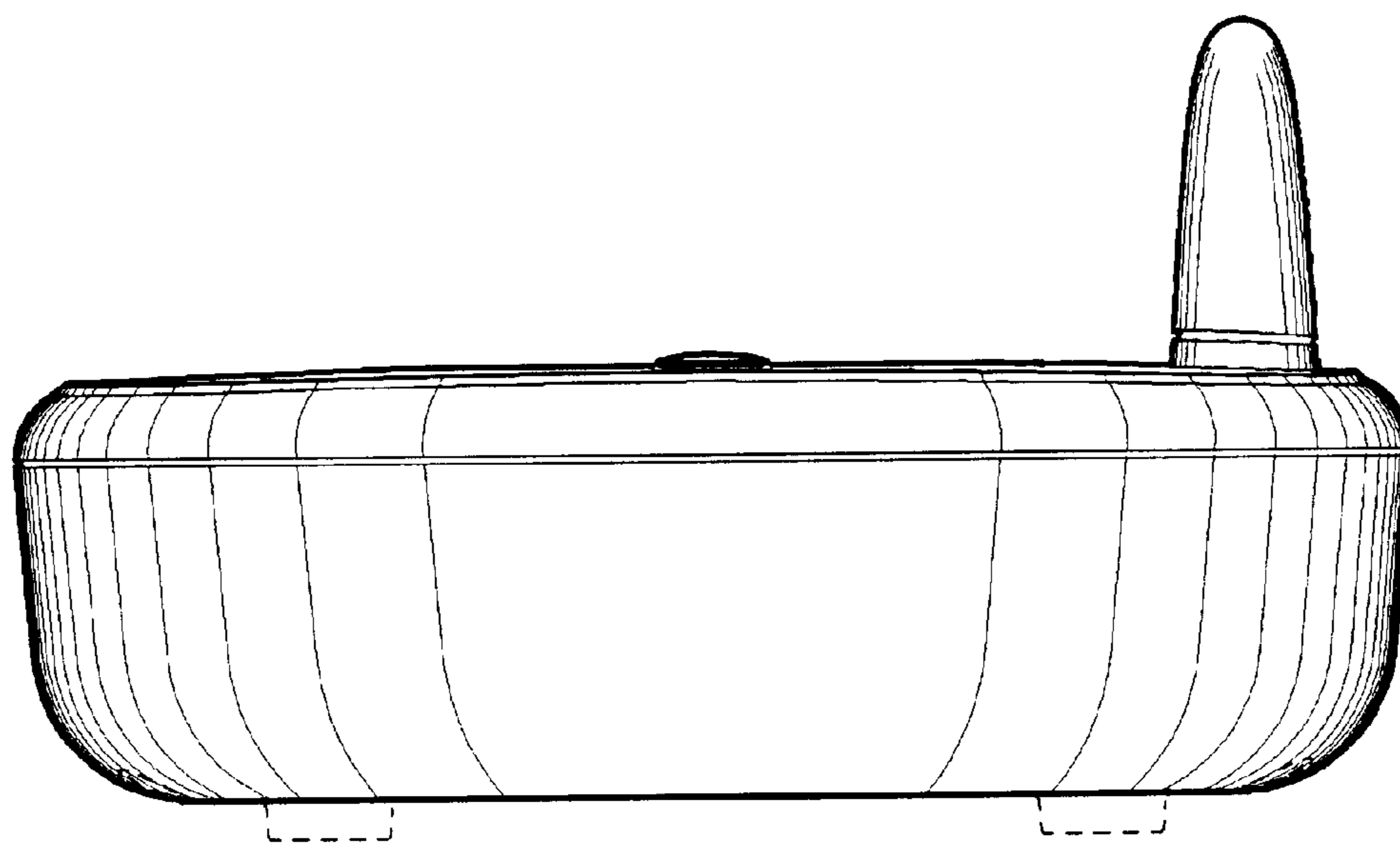


FIG. 4

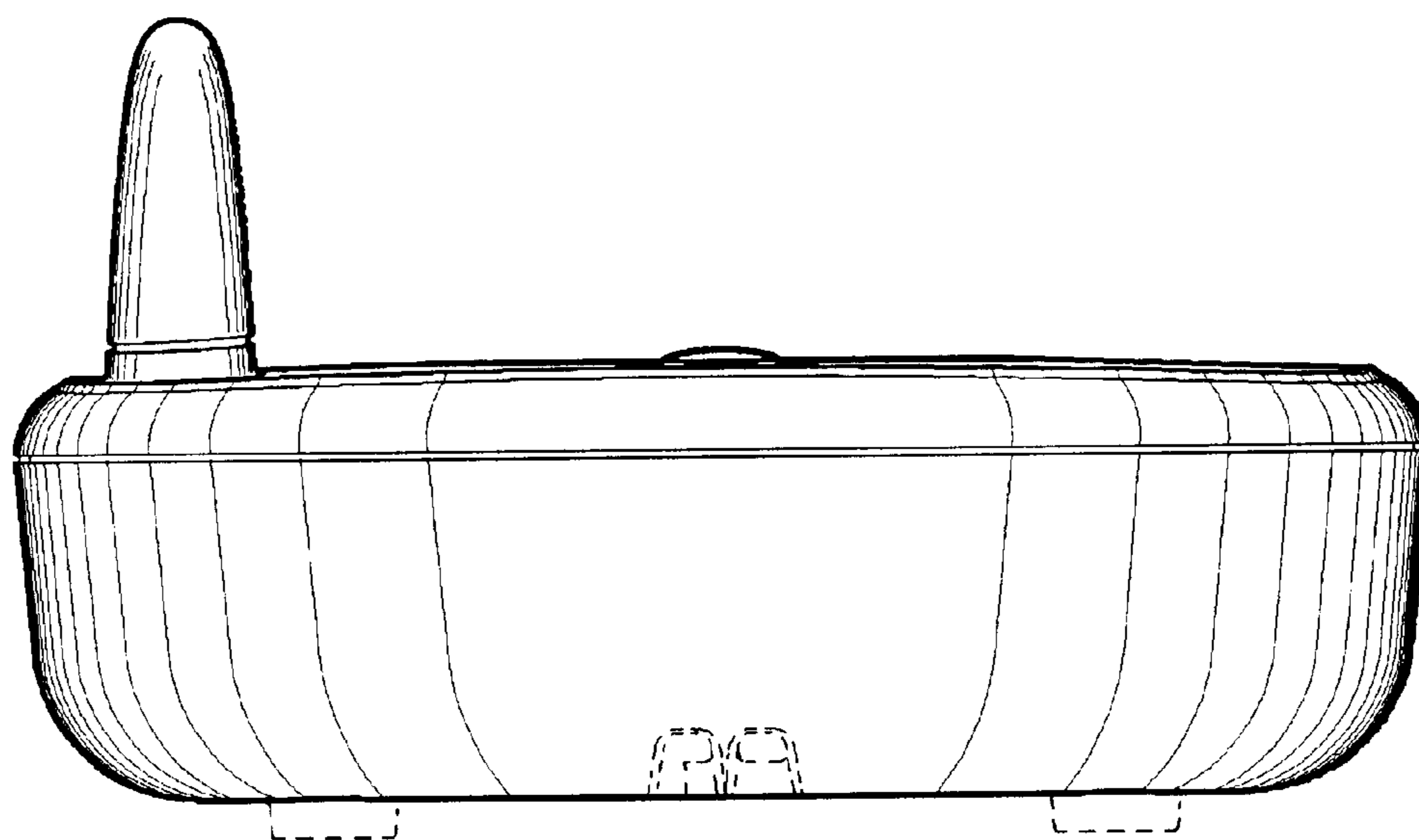


FIG. 5

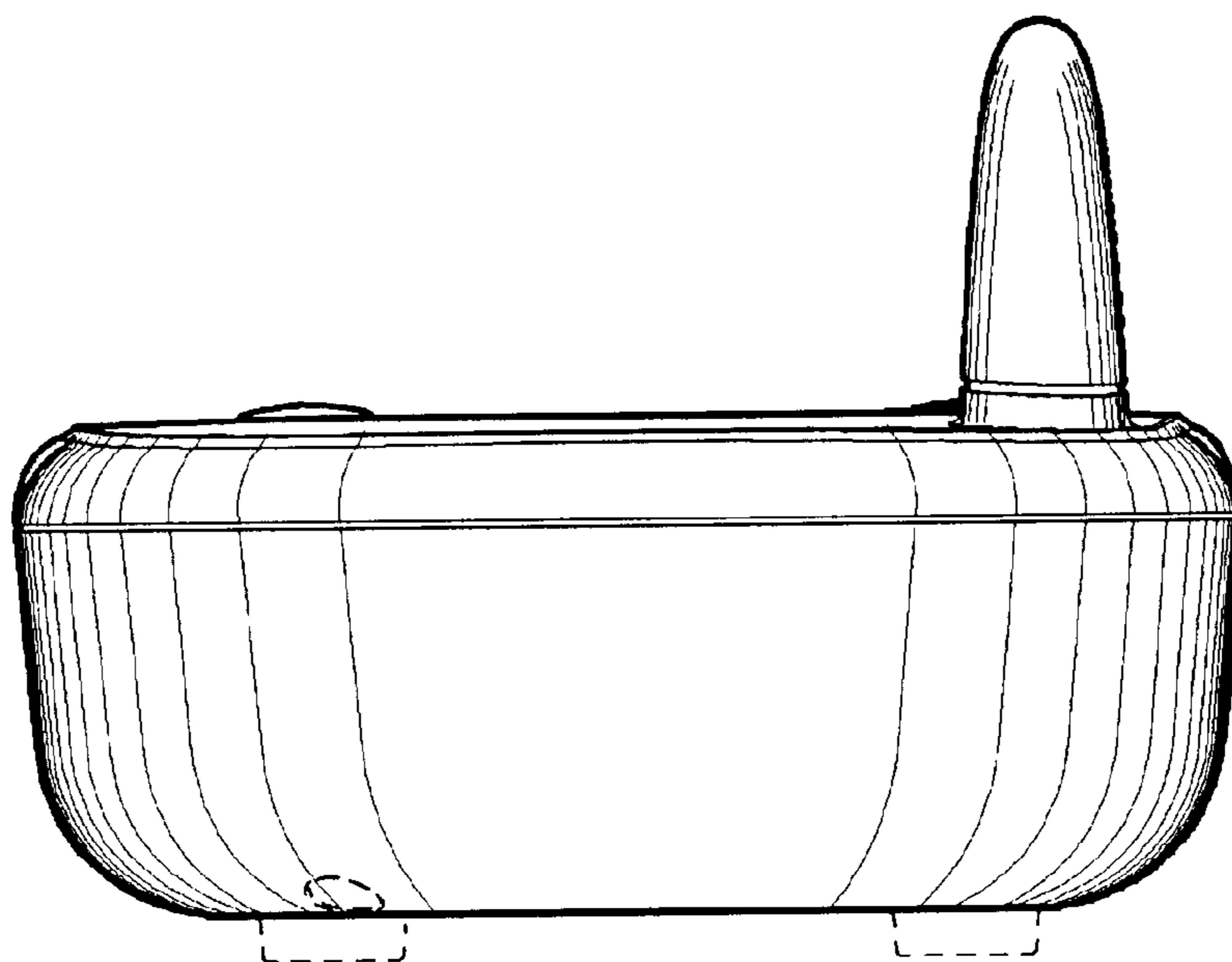


FIG. 6

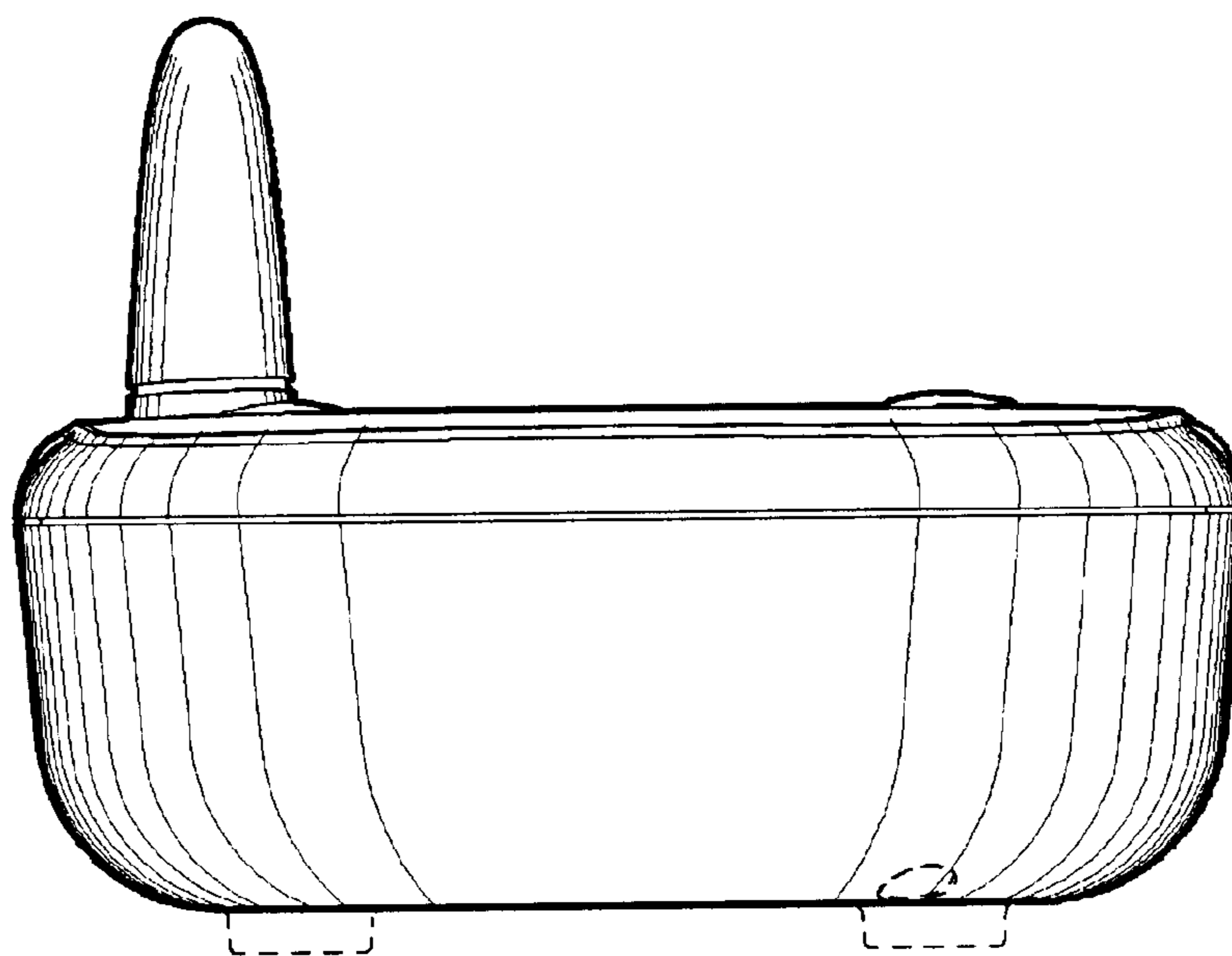


FIG. 7