

US00D528978S

(12) **United States Design Patent**
Trosper, Jr. et al.

(10) **Patent No.:** **US D528,978 S**

(45) **Date of Patent:** **** Sep. 26, 2006**

(54) **BATTERY CHARGER**

(75) Inventors: **Terry Trosper, Jr.**, Hoopston, IL (US);
Mark Kurth, Beverly Shores, IN (US)

(73) Assignee: **Schumacher Electric Corporation**,
Mount Prospect, IL (US)

(**) Term: **14 Years**

(21) Appl. No.: **29/205,374**

(22) Filed: **May 12, 2004**

(51) **LOC (8) Cl.** **13-02**

(52) **U.S. Cl.** **D13/107**

(58) **Field of Classification Search** D13/106–110,
D13/118, 184; 320/105, 107–115
See application file for complete search history.

(56) **References Cited**

U.S. PATENT DOCUMENTS

D292,696 S	*	11/1987	Sahli	D13/106
D300,920 S	*	5/1989	Gierke	D13/106
D311,897 S	*	11/1990	Moore et al.	D13/107
5,220,269 A	*	6/1993	Chen et al.	320/112
D377,335 S	*	1/1997	Katooka et al.	D13/110
RE37,482 E	*	12/2001	Guay et al.	D13/110
D466,077 S	*	11/2002	Wang	D13/110
D493,421 S	*	7/2004	Krieger et al.	D13/107
D503,378 S	*	3/2005	Hussaini et al.	D13/107
D504,661 S	*	5/2005	Krieger et al.	D13/107

D504,870 S	*	5/2005	Krieger et al.	D13/107
D505,388 S	*	5/2005	Krieger et al.	D13/107
D506,975 S	*	7/2005	Krieger et al.	D13/107

* cited by examiner

Primary Examiner—Alan P. Douglas

Assistant Examiner—Rosemary K. Tarcza

(74) *Attorney, Agent, or Firm*—Katten Muchin Rosenman
LLP; John S. Paniaguas

(57) **CLAIM**

We claim the ornamental design for a battery charger, as shown and described.

DESCRIPTION

FIG. 1 is a first side view of a battery charger of the present invention;

FIG. 2 is a front view thereof;

FIG. 3 is a second side view thereof;

FIG. 4 is a rear view thereof;

FIG. 5 is a top view thereof;

FIG. 6 is a bottom view thereof;

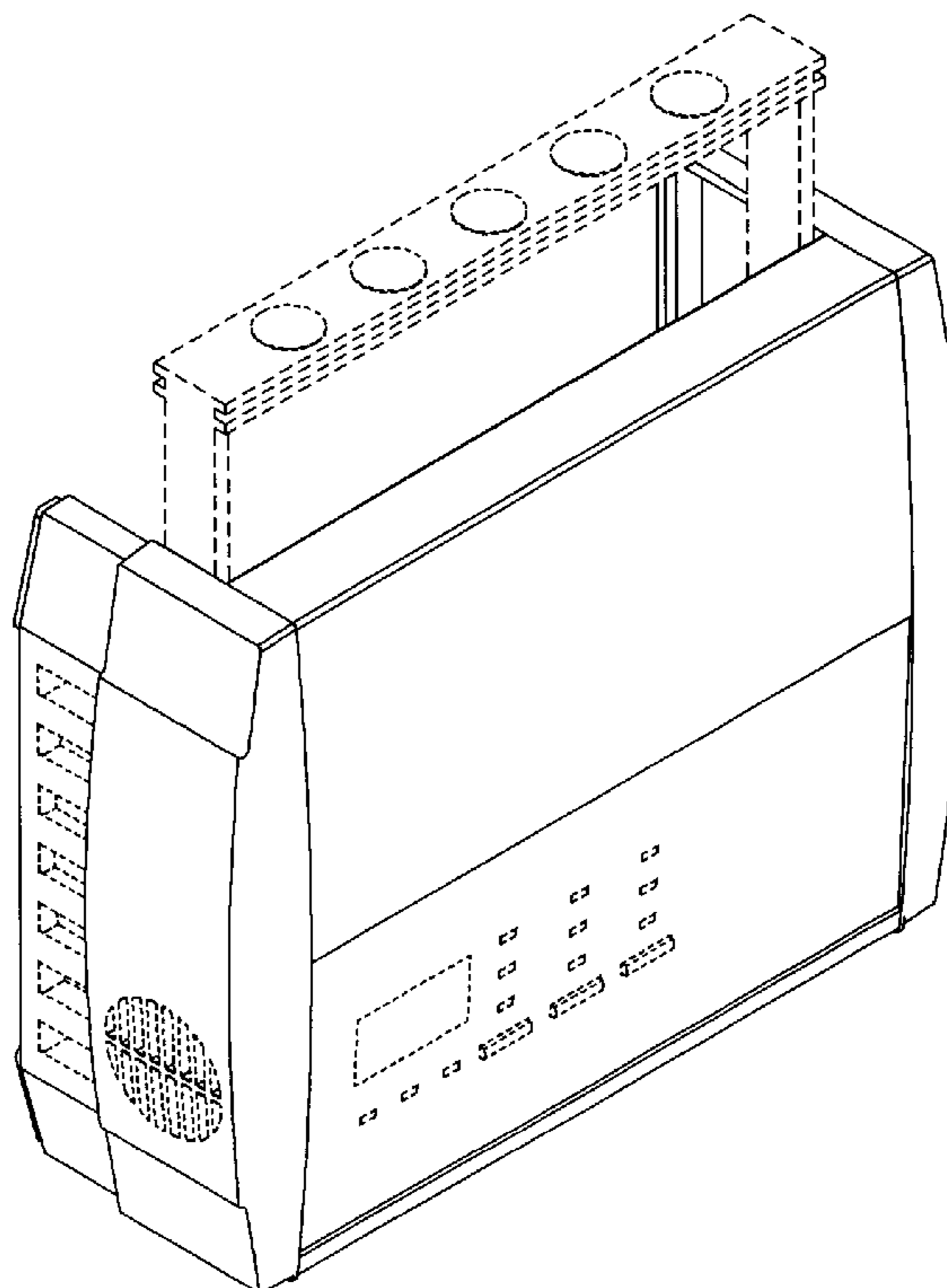
FIG. 7 is a rear bottom perspective view thereof;

FIG. 8 is a front top perspective view thereof; and,

FIG. 9 is a front bottom perspective view thereof.

The ornamental design which is claimed is shown in solid lines in the drawings. Any broken lines in the drawings are for illustrative purposes only and form no part of the claimed design.

1 Claim, 5 Drawing Sheets



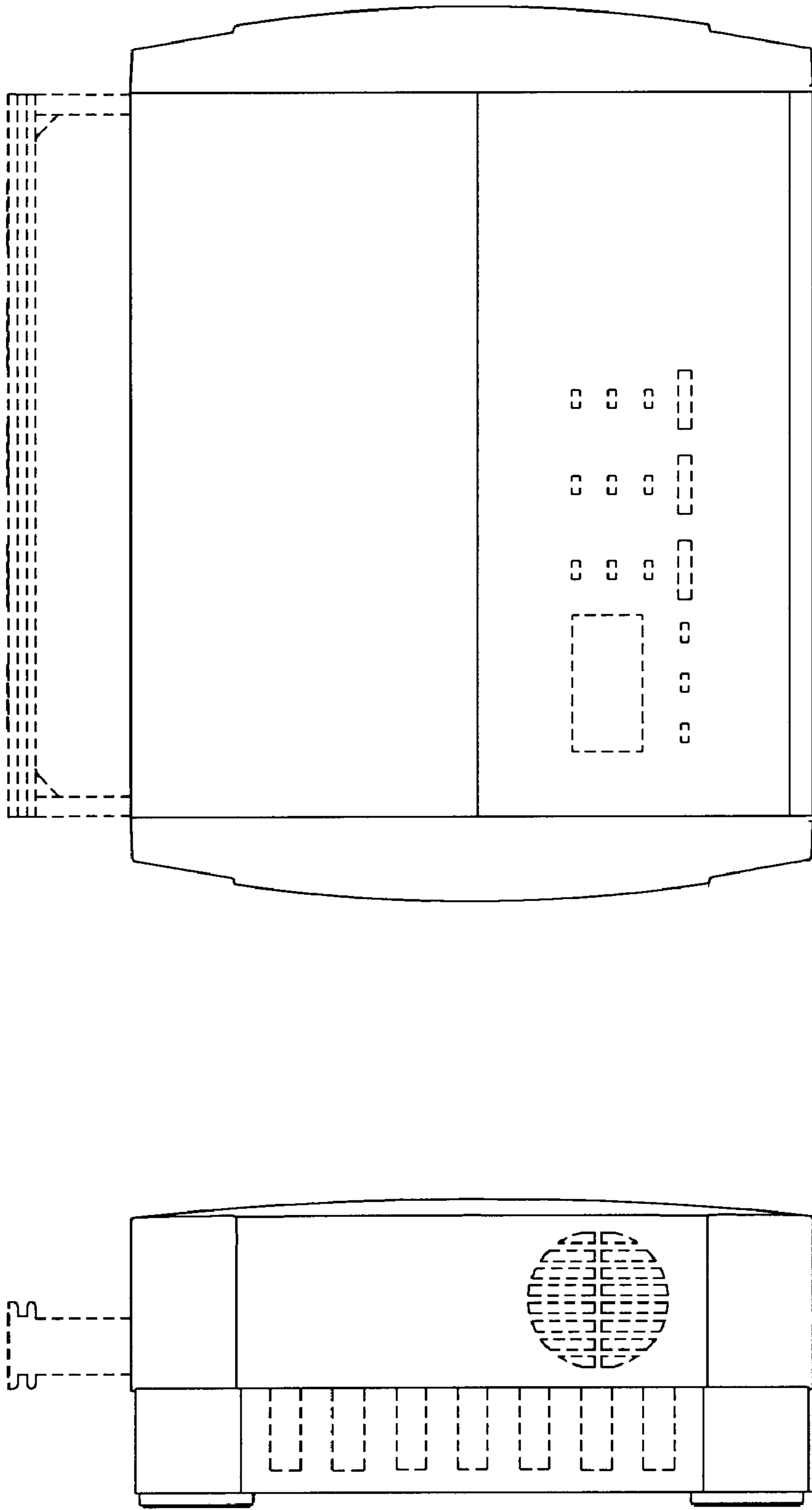


Fig. 2

Fig. 1

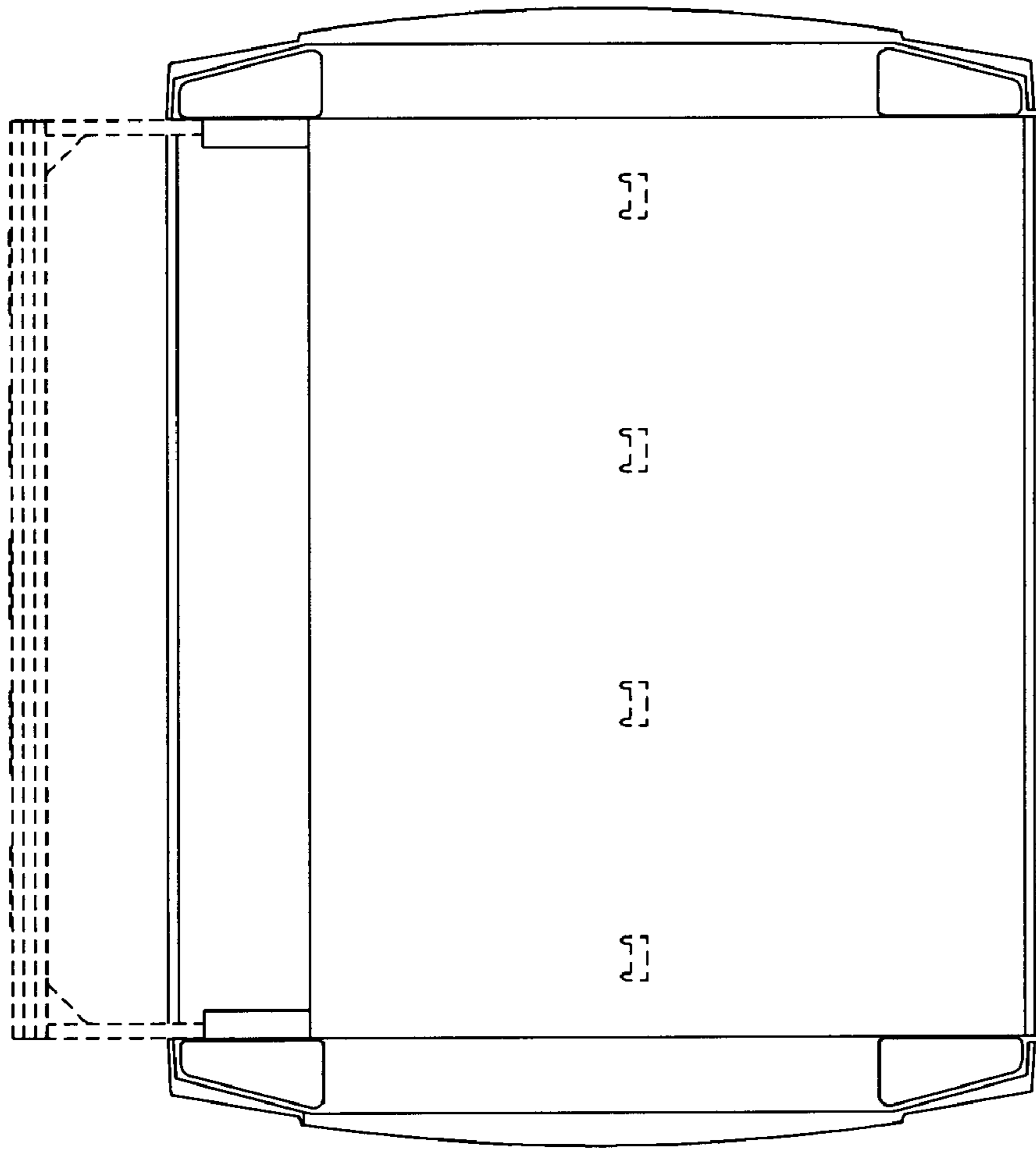


Fig. 4

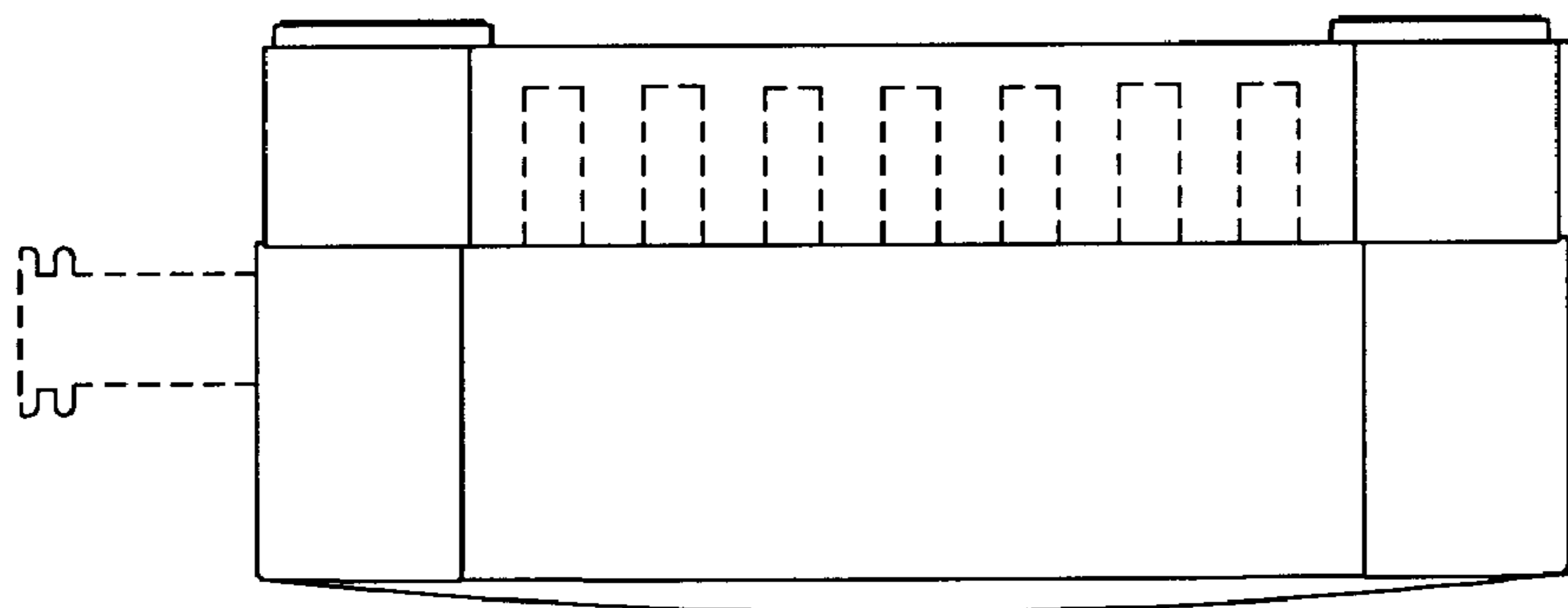


Fig. 3

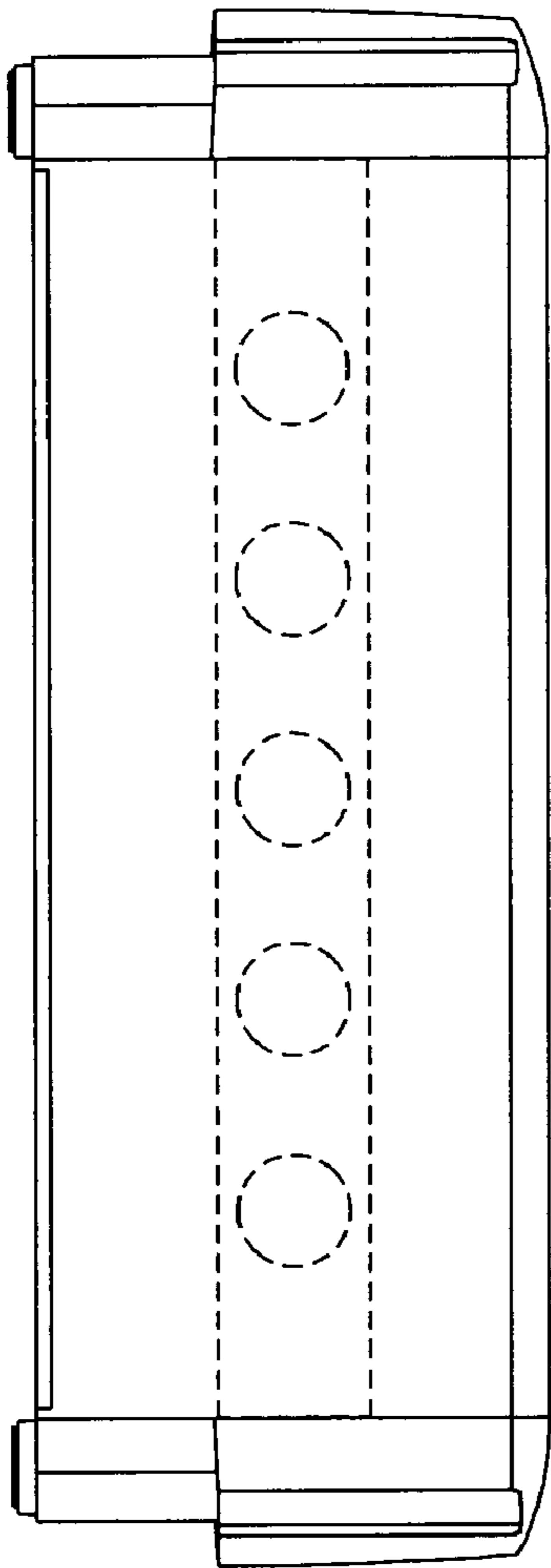


Fig. 5

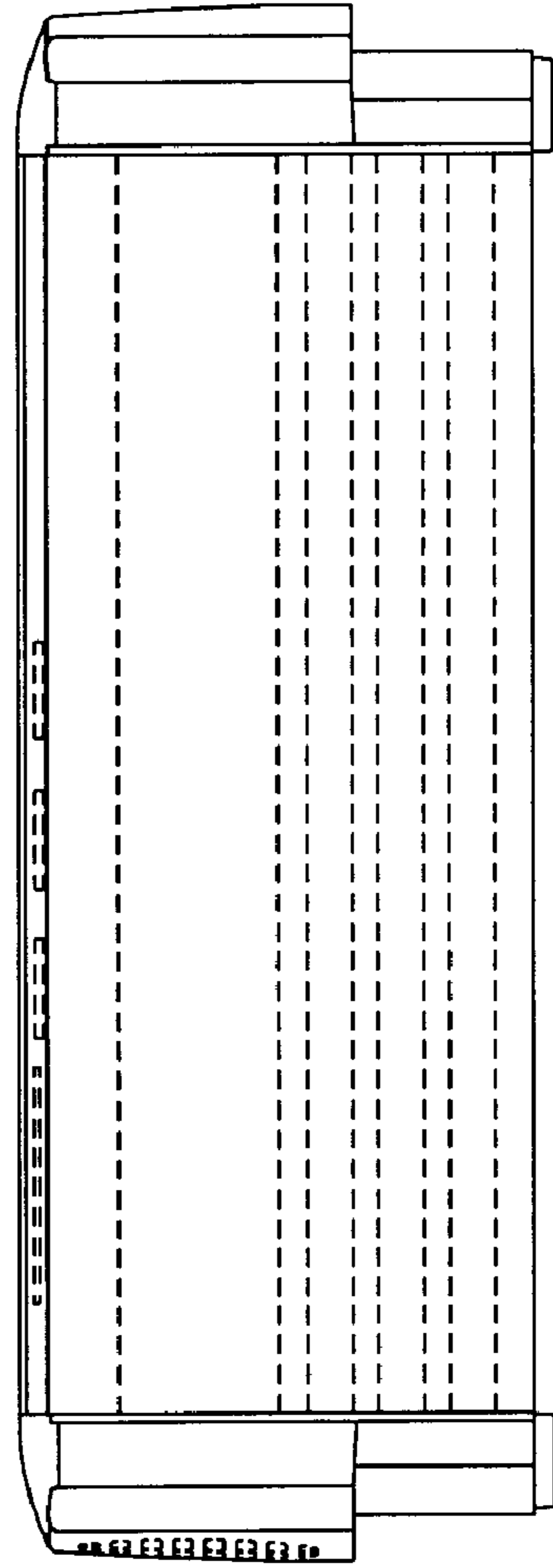


Fig. 6

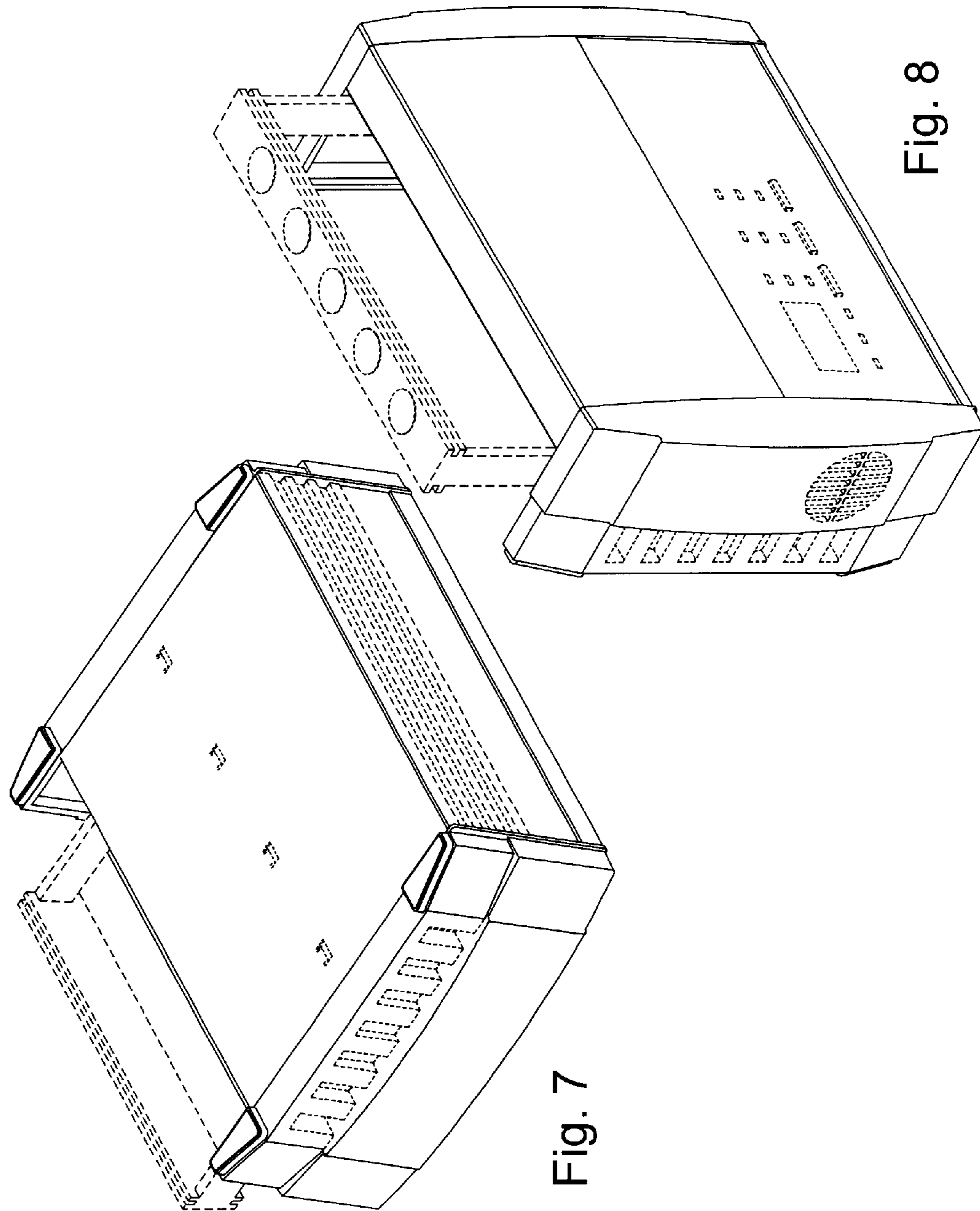


Fig. 7

Fig. 8

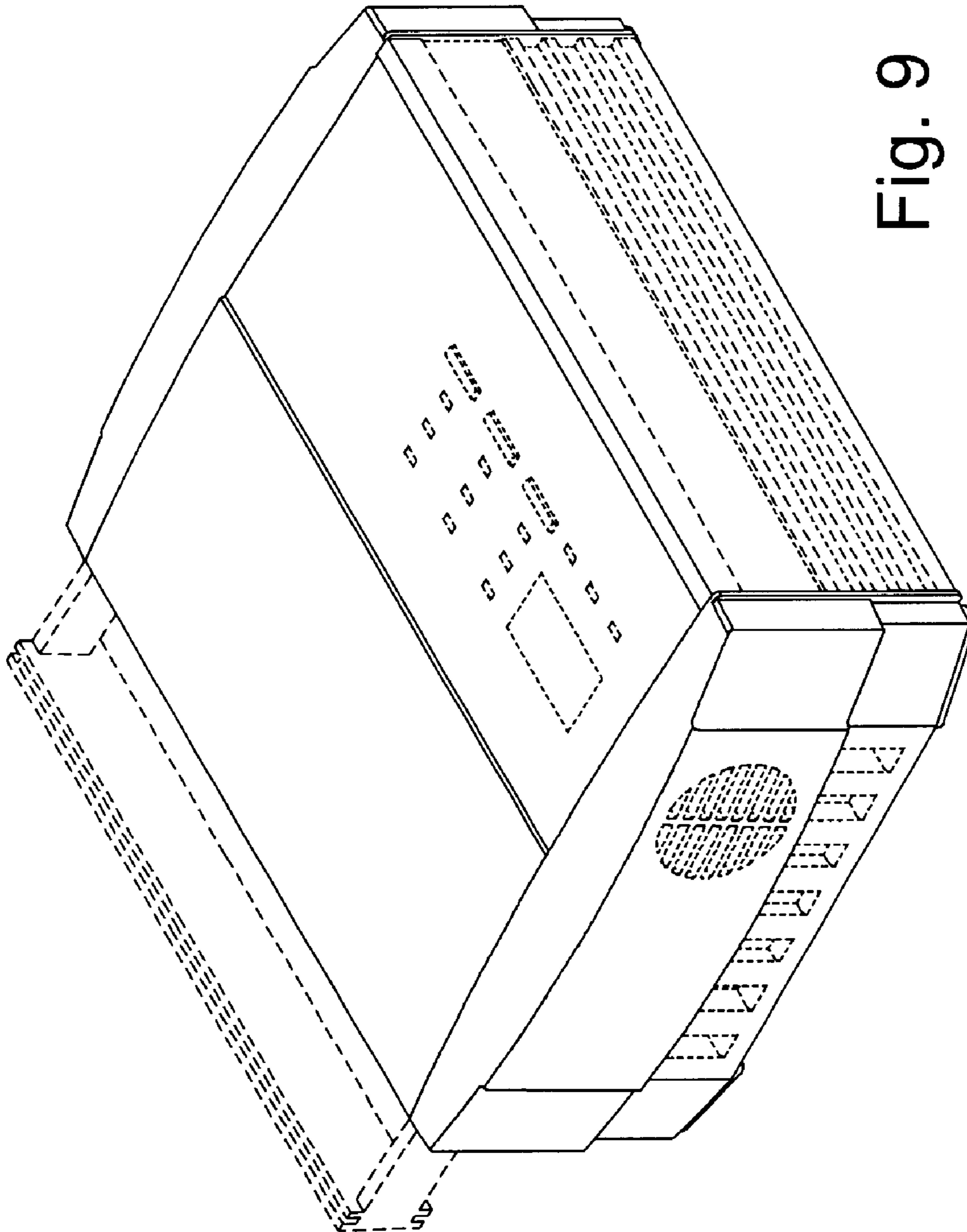


Fig. 9