



US00D528977S

(12) **United States Design Patent**
Tasei et al.

(10) **Patent No.:** **US D528,977 S**

(45) **Date of Patent:** **** Sep. 26, 2006**

(54) **ENERGY STORAGE DEVICE**

(75) Inventors: **Masatoshi Tasei**, Yawata (JP); **Nario Niibo**, Hirakata (JP); **Masashige Ashizaki**, Hirakata (JP); **Yukio Nishioka**, Uji (JP)

(73) Assignee: **Matsushita Electric Industrial Co., Ltd.**, Osaka (JP)

(**) Term: **14 Years**

(21) Appl. No.: **29/239,763**

(22) Filed: **Oct. 3, 2005**

(30) **Foreign Application Priority Data**

Jun. 15, 2005 (JP) 2005-017366

(51) **LOC (8) Cl.** **13-02**

(52) **U.S. Cl.** **D13/103**

(58) **Field of Classification Search** D13/102-106,
D13/110, 118-119, 184; 429/96-100, 163,
429/176

See application file for complete search history.

(56) **References Cited**

U.S. PATENT DOCUMENTS

D118,597 S	*	1/1940	Knauss	D13/103
D212,160 S	*	9/1968	Moore	D13/110
3,856,577 A	*	12/1974	Oki et al.	429/96
4,223,076 A	*	9/1980	Terada	429/96
D353,130 S	*	12/1994	Aldrich et al.	D13/102
D357,897 S	*	5/1995	Daio et al.	D13/103
5,582,933 A	*	12/1996	Daio et al.	429/178

5,805,423 A	*	9/1998	Wever et al.	361/760
D426,189 S	*	6/2000	Buckle	D13/103
D437,824 S	*	2/2001	Sakai et al.	D13/110
D439,561 S	*	3/2001	Lee et al.	D13/103
D482,653 S	*	11/2003	Cho	D13/110
D515,027 S	*	2/2006	Groh et al.	D13/103

FOREIGN PATENT DOCUMENTS

JP	D1166276	2/2003
JP	D1230266	2/2005
JP	D1230268	2/2005
JP	D1237794	4/2005
JP	D1245714	7/2005

* cited by examiner

Primary Examiner—Alan P. Douglas

Assistant Examiner—Rosemary K. Tarcza

(74) *Attorney, Agent, or Firm*—Brinks Hofer Gilson & Lione

(57) **CLAIM**

The ornamental design for an energy storage device, as shown and described.

DESCRIPTION

FIG. 1 is a top perspective view of an energy storage device of the present invention;

FIG. 2 is a front view thereof;

FIG. 3 is a rear view thereof;

FIG. 4 is a first side view thereof;

FIG. 5 is a second side view thereof;

FIG. 6 is a top view thereof; and,

FIG. 7 is a bottom view thereof.

1 Claim, 3 Drawing Sheets

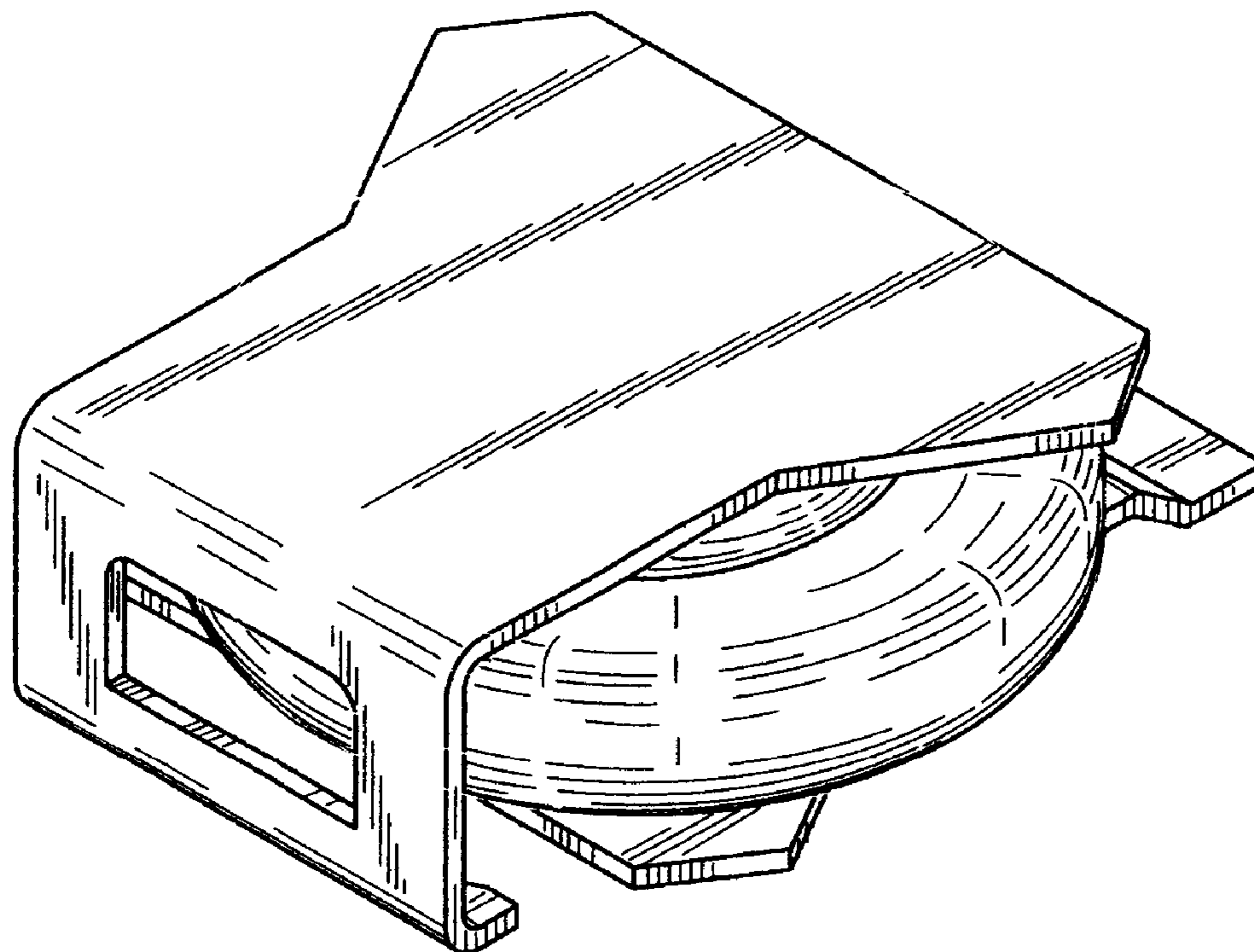


FIG. 1

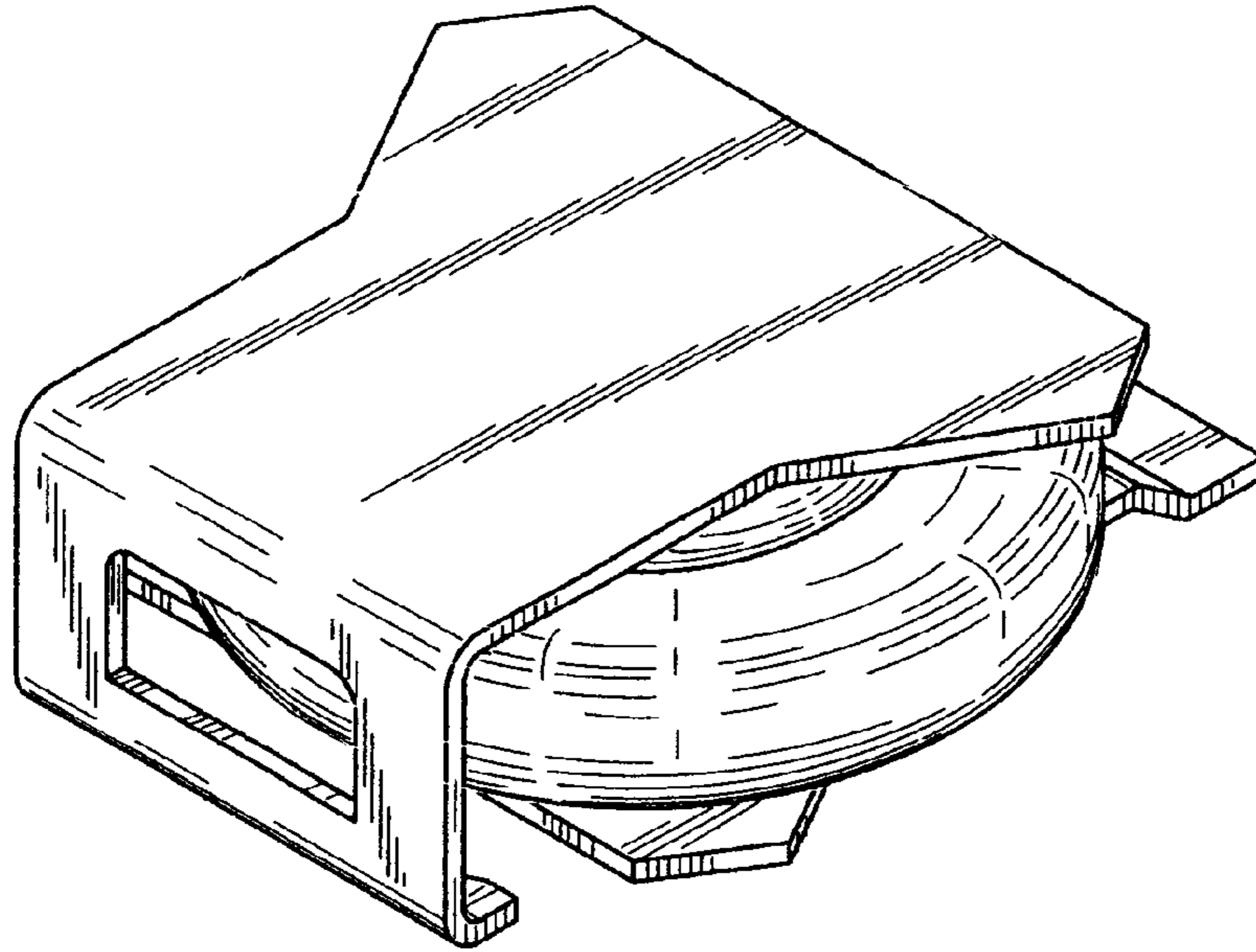


FIG. 2

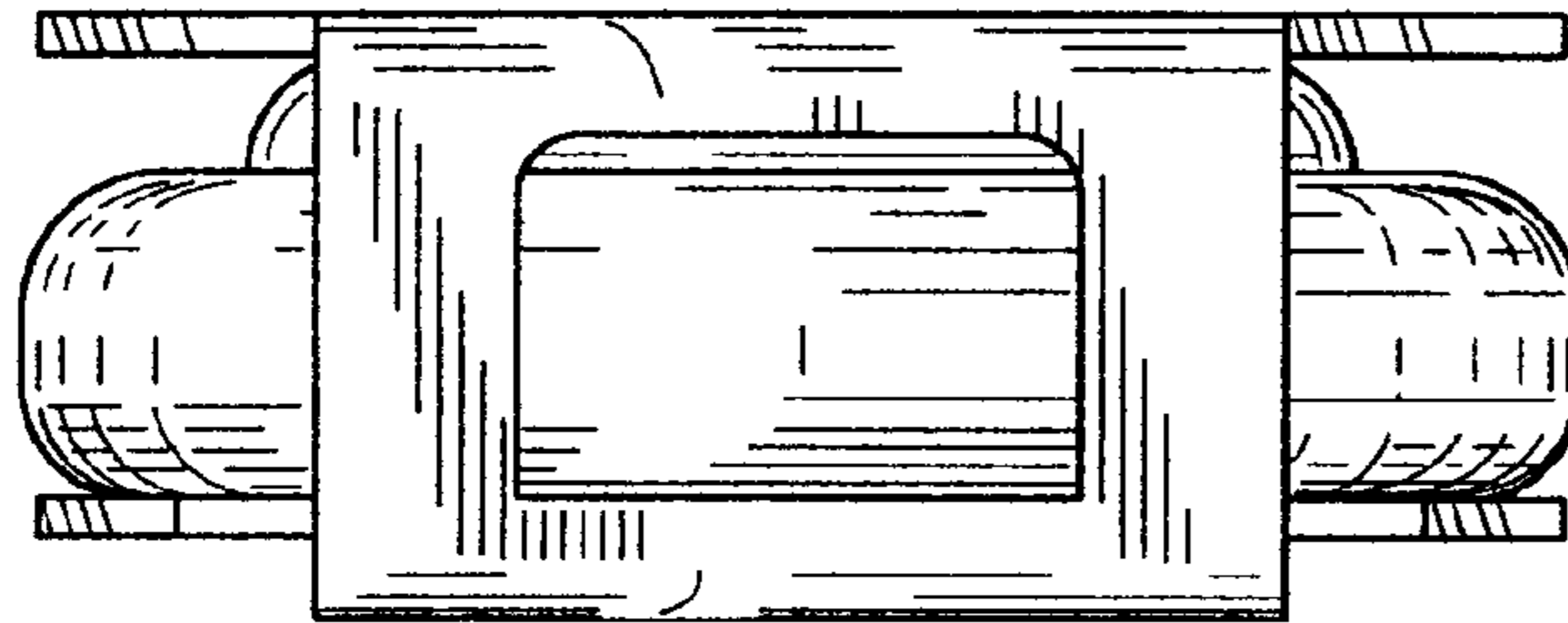


FIG. 3

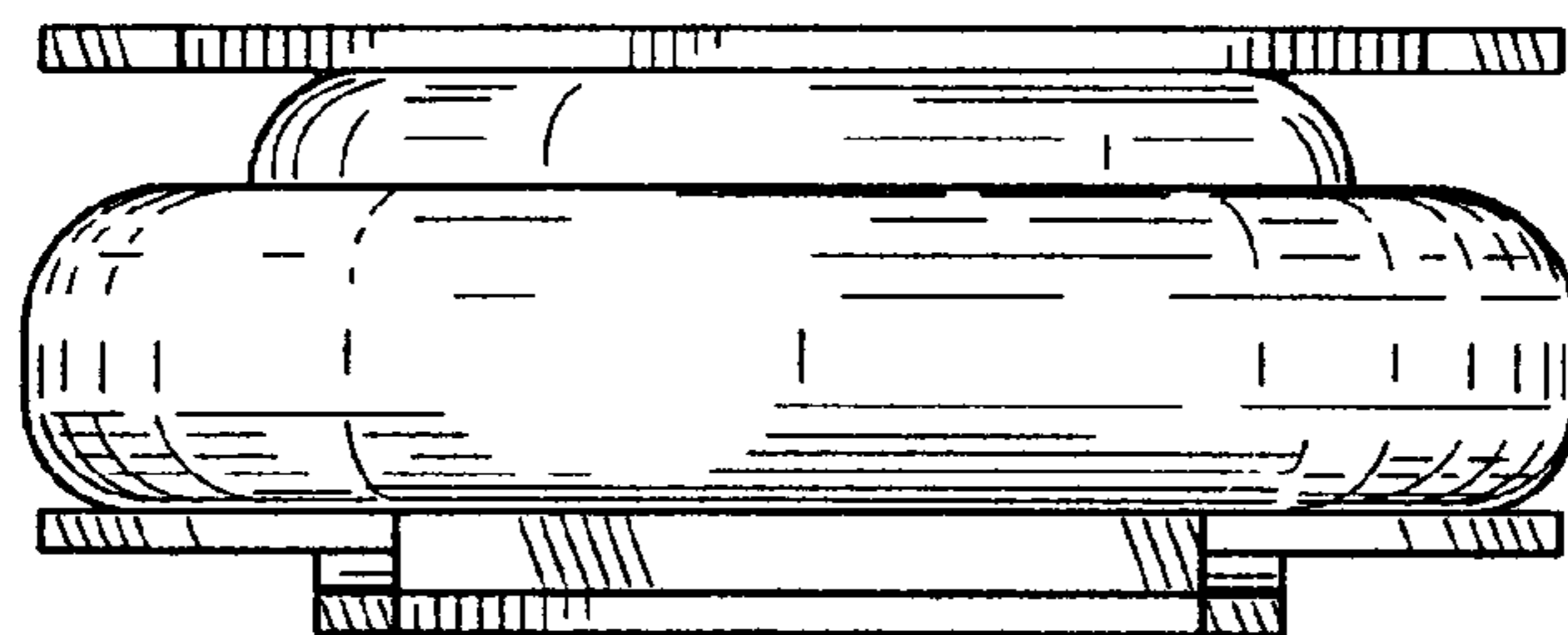


FIG.4

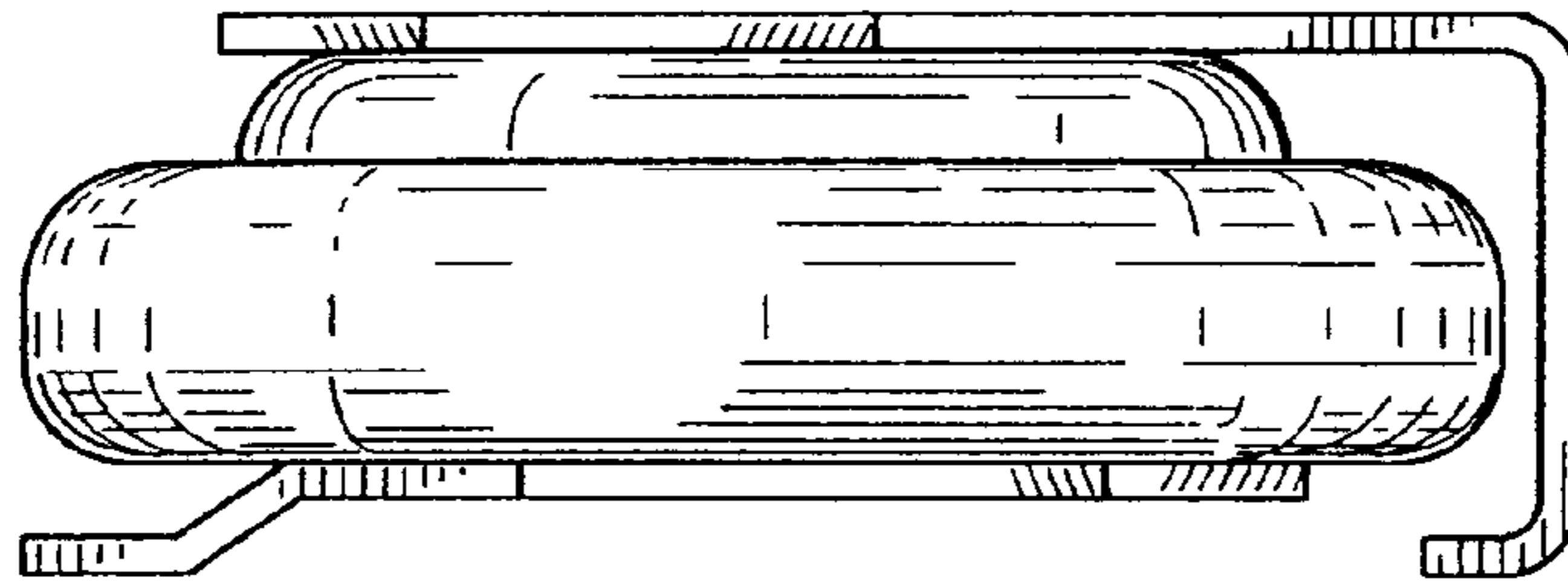


FIG.5

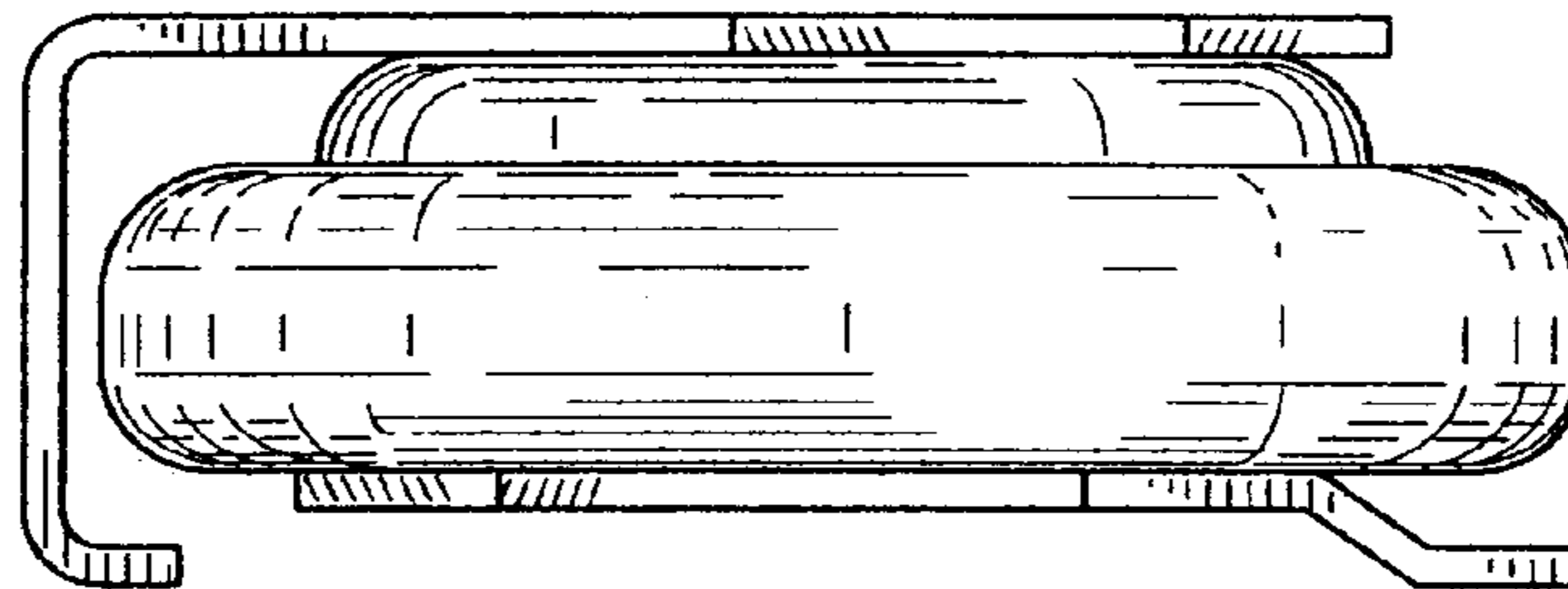


FIG.6

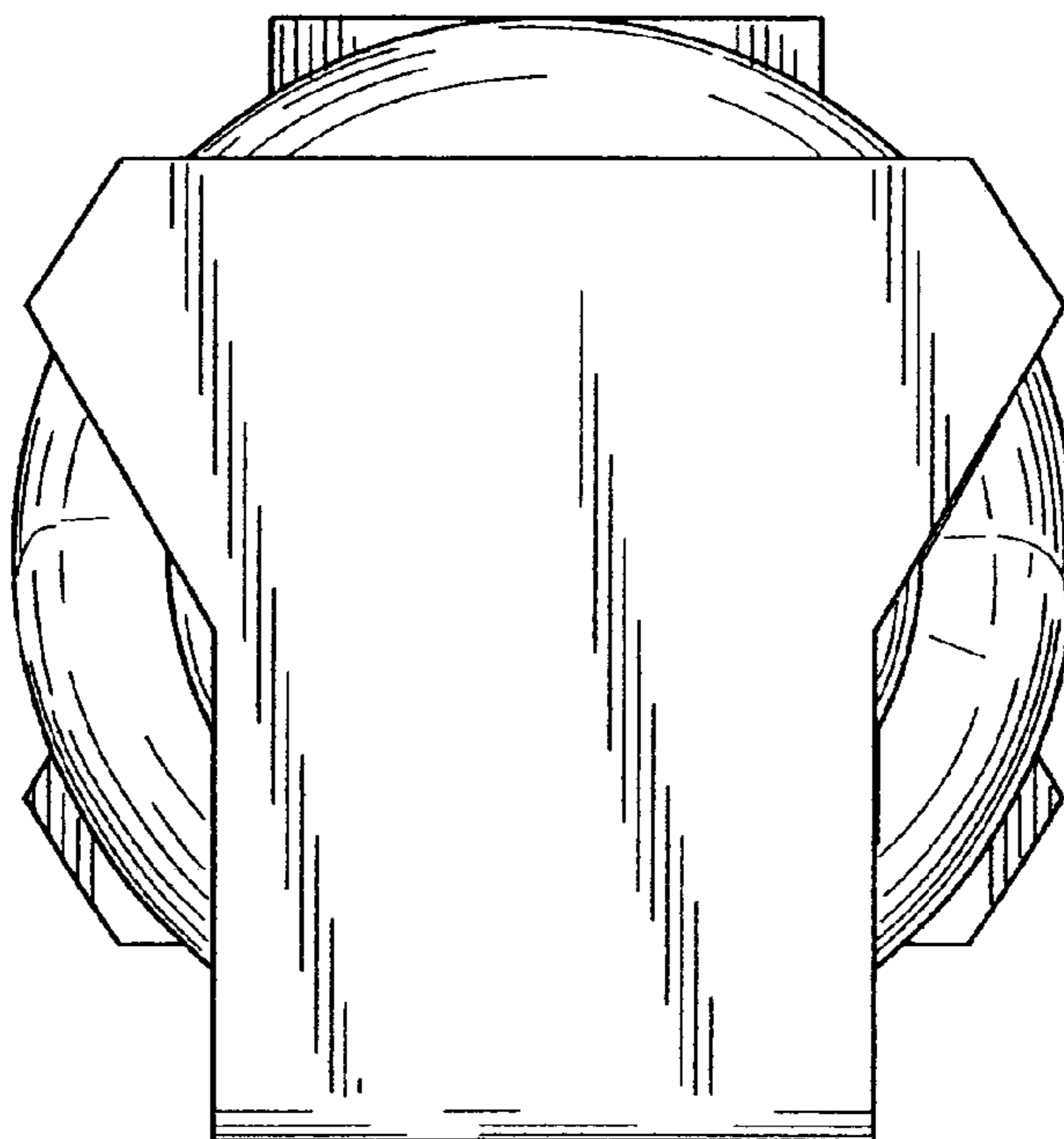


FIG.7

