



US00D528975S

(12) **United States Design Patent**
Chi et al.

(10) **Patent No.:** **US D528,975 S**

(45) **Date of Patent:** **** Sep. 26, 2006**

- (54) **BATTERY FOR POWER TOOL**
- (75) Inventors: **Wen-Yao Chi**, Taichung (TW);
Lien-Sheng Chuang, Taichung (TW)
- (73) Assignee: **Mobiletron Electronics Co., Ltd.**,
Taichung Hsien (TW)
- (**) Term: **14 Years**

D350,111 S	*	8/1994	Okumura	D13/103
D368,067 S	*	3/1996	Okumura	D13/103
D383,435 S	*	9/1997	Svetlik	D13/103
D384,031 S	*	9/1997	Lui	D13/103
D384,639 S	*	10/1997	Kawakami et al.	D13/103
D387,329 S	*	12/1997	Jung et al.	D13/119
D488,774 S	*	4/2004	Zufall et al.	D13/103

* cited by examiner

Primary Examiner—Alan P. Douglas
Assistant Examiner—Rosemary K. Tarcza
(74) *Attorney, Agent, or Firm*—Bacon & Thomas

- (21) Appl. No.: **29/234,912**
- (22) Filed: **Jul. 26, 2005**

- (51) **LOC (8) Cl.** **13-02**
- (52) **U.S. Cl.** **D13/103**
- (58) **Field of Classification Search** D13/102-106,
D13/110, 118-119, 184; 429/96-100, 163,
429/176

See application file for complete search history.

(56) **References Cited**

U.S. PATENT DOCUMENTS

D306,573 S	*	3/1990	Schultz	D13/103
D306,574 S	*	3/1990	Schultz	D13/103
D321,338 S	*	11/1991	Sakamoto et al.	D13/103
D323,642 S	*	2/1992	Liao	D13/119
D334,012 S	*	3/1993	Chen	D13/103
D342,479 S	*	12/1993	Kimata	D13/103

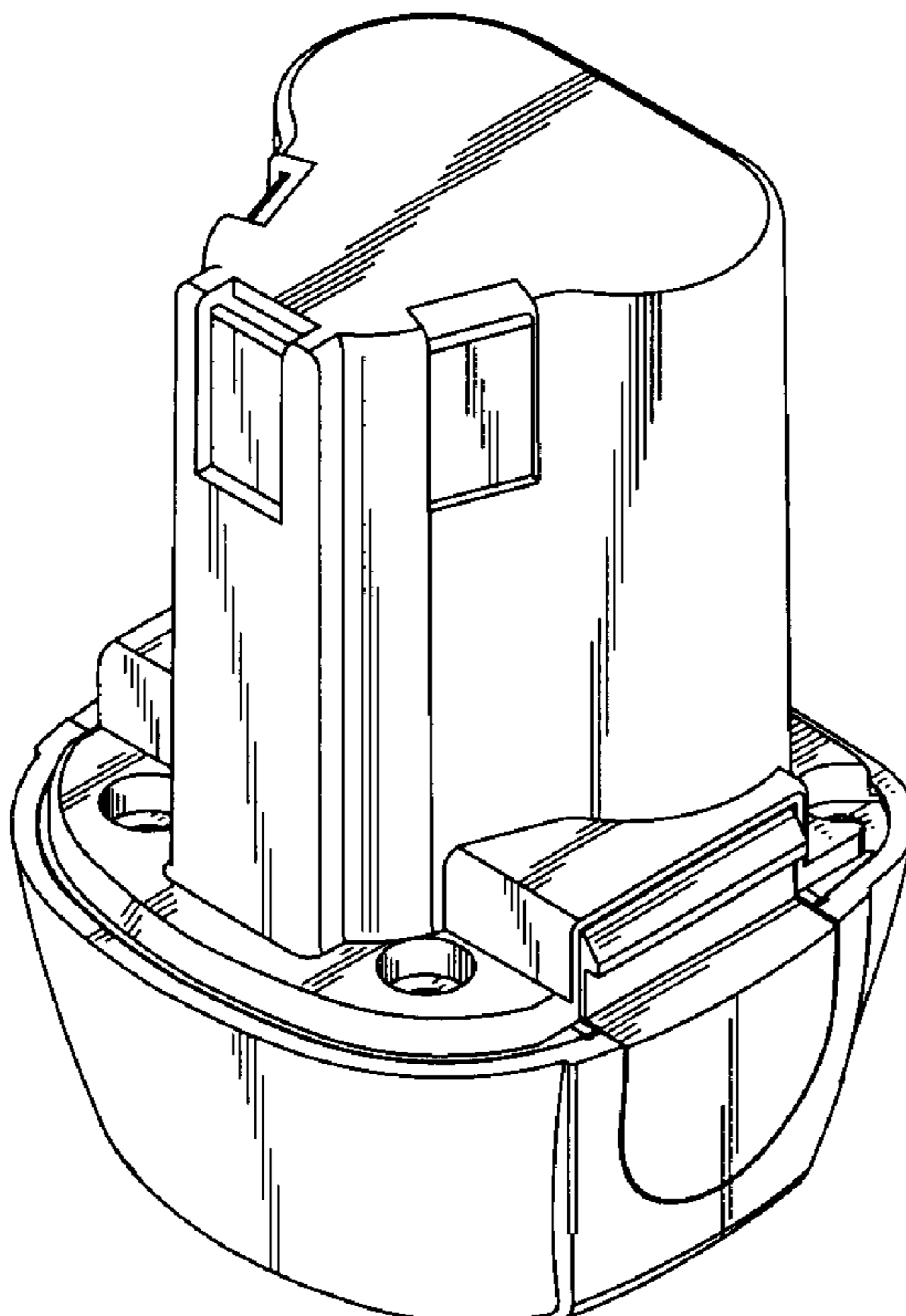
(57) **CLAIM**

The ornamental design for a battery for power tool, as shown.

DESCRIPTION

FIG. 1 shows a perspective view of the present design.
FIG. 2 shows a right side elevational view of the present design.
FIG. 3 shows a top plan view of the present design.
FIG. 4 shows a front elevational view of the present design.
FIG. 5 shows a bottom plan view of the present design.
FIG. 6 shows a left side elevational view of the present design; and,
FIG. 7 shows a rear elevational view of the present design.

1 Claim, 4 Drawing Sheets



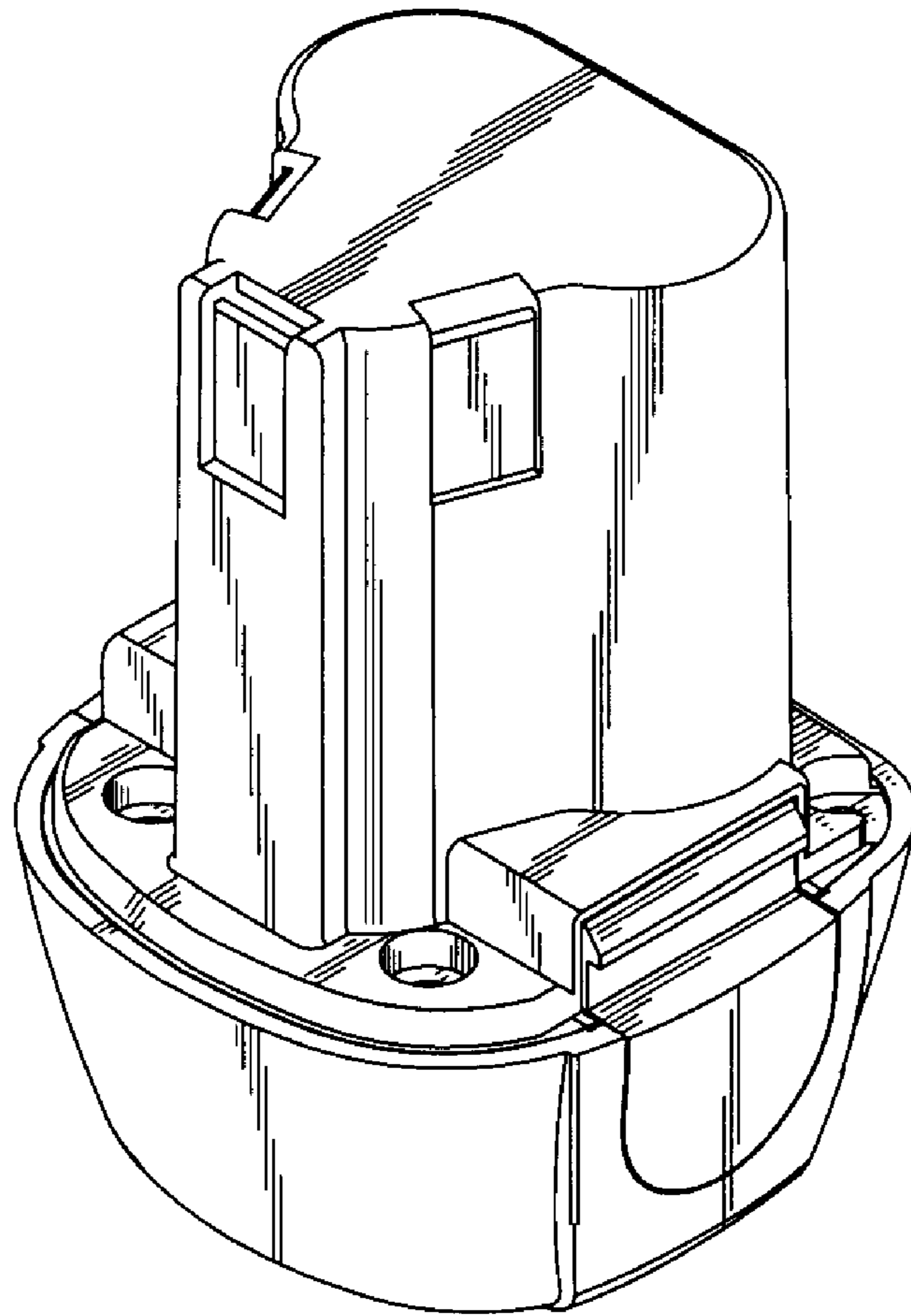


FIG. 1

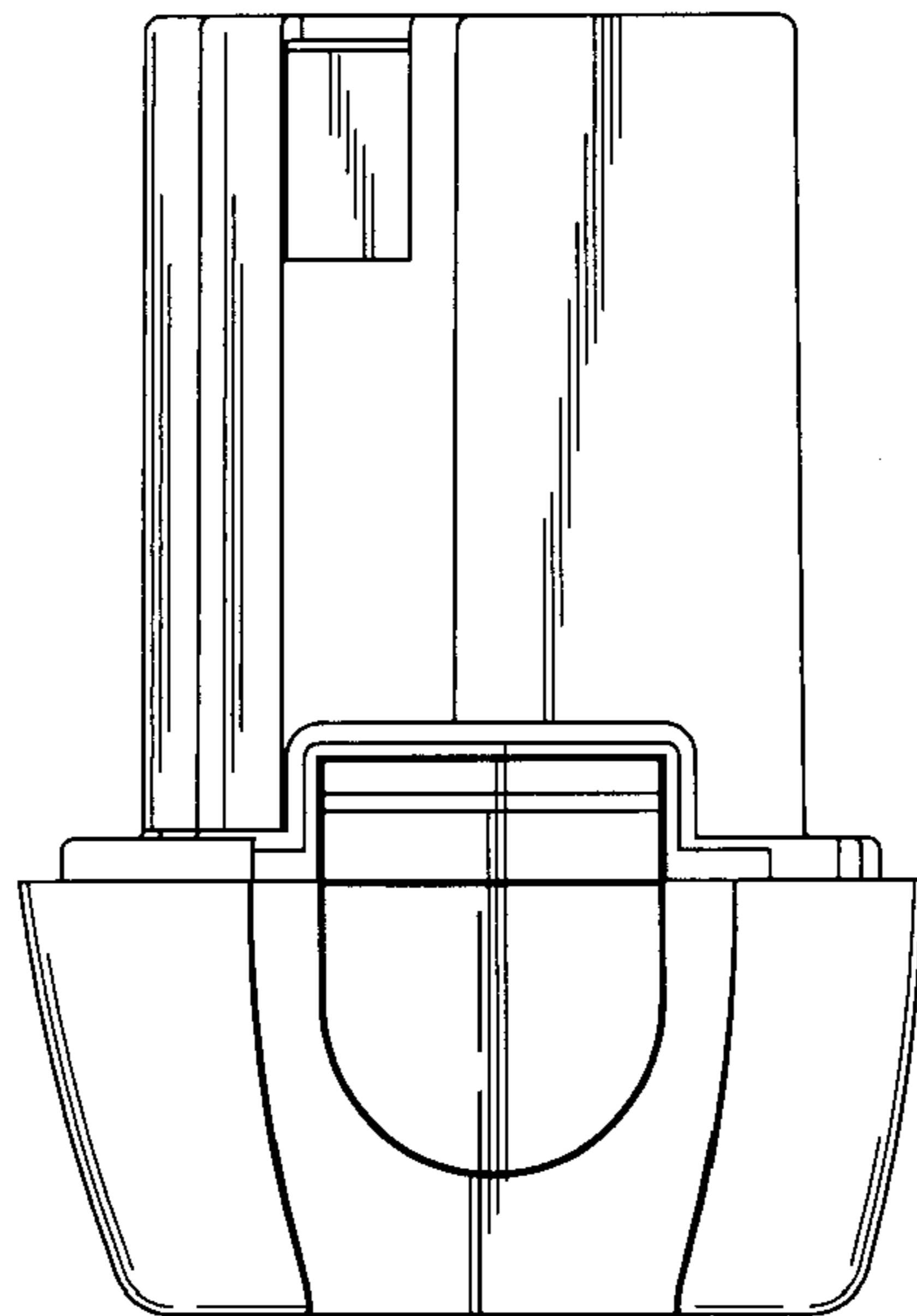


FIG. 2

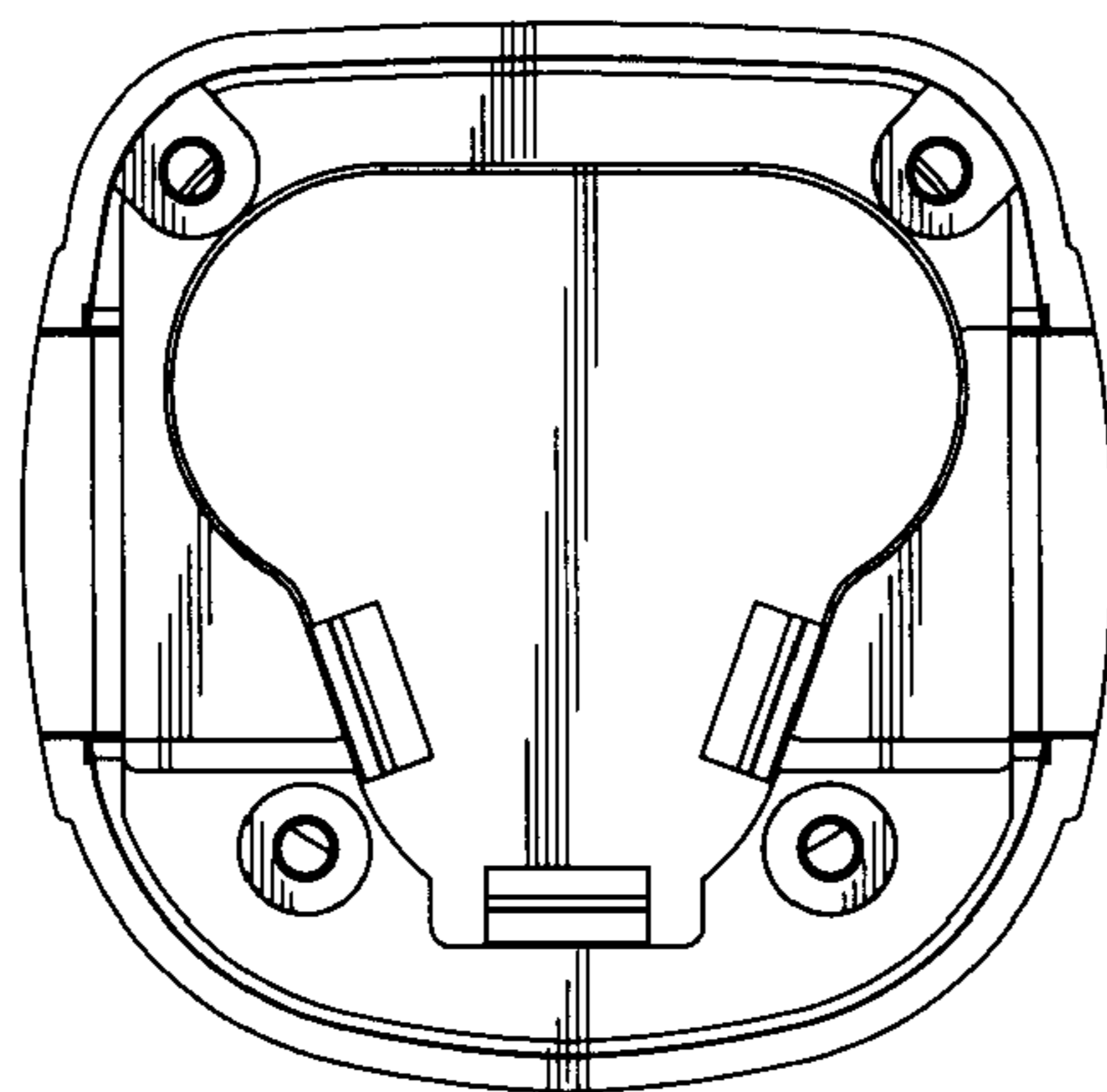


FIG. 3

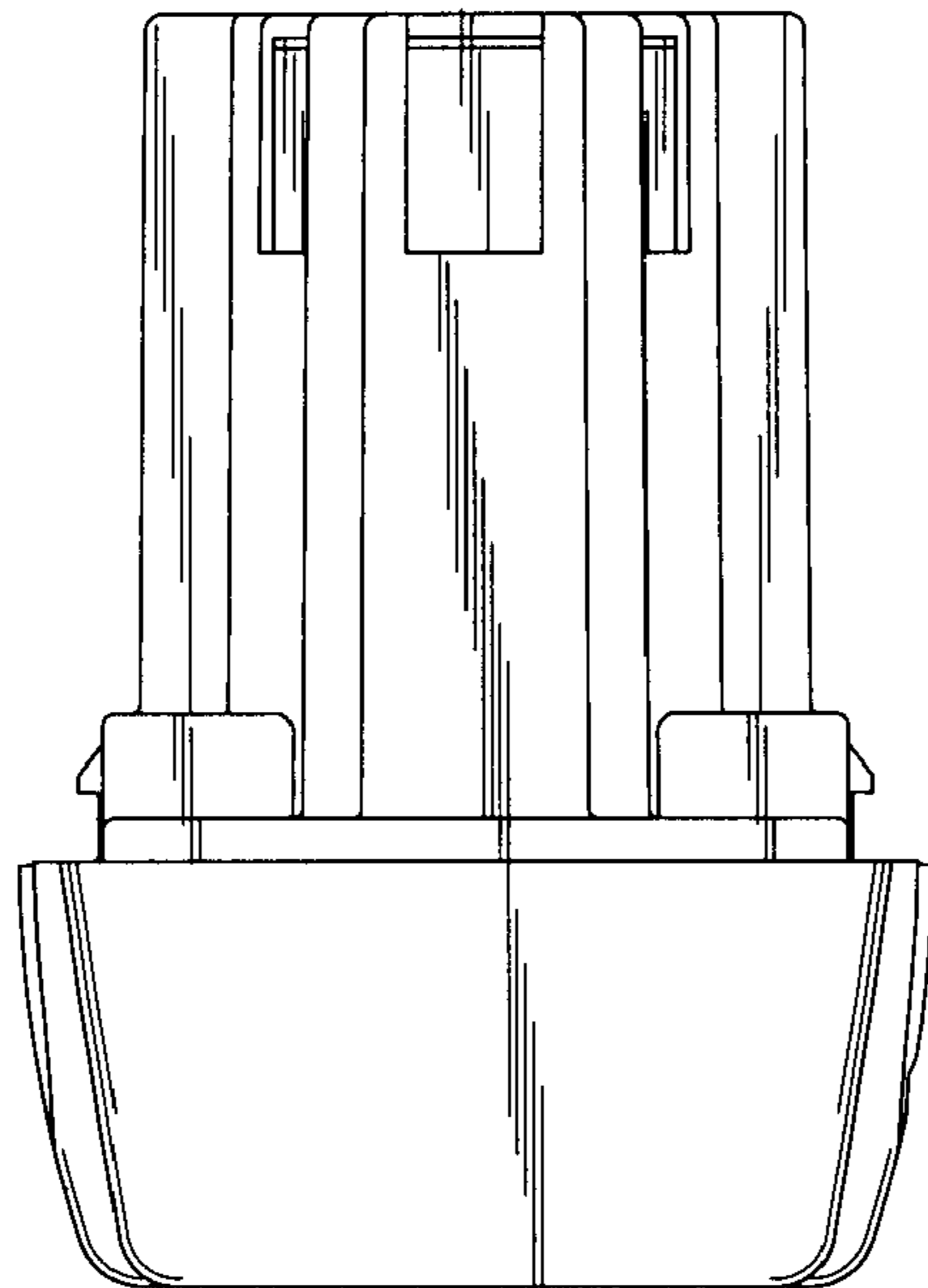


FIG. 4

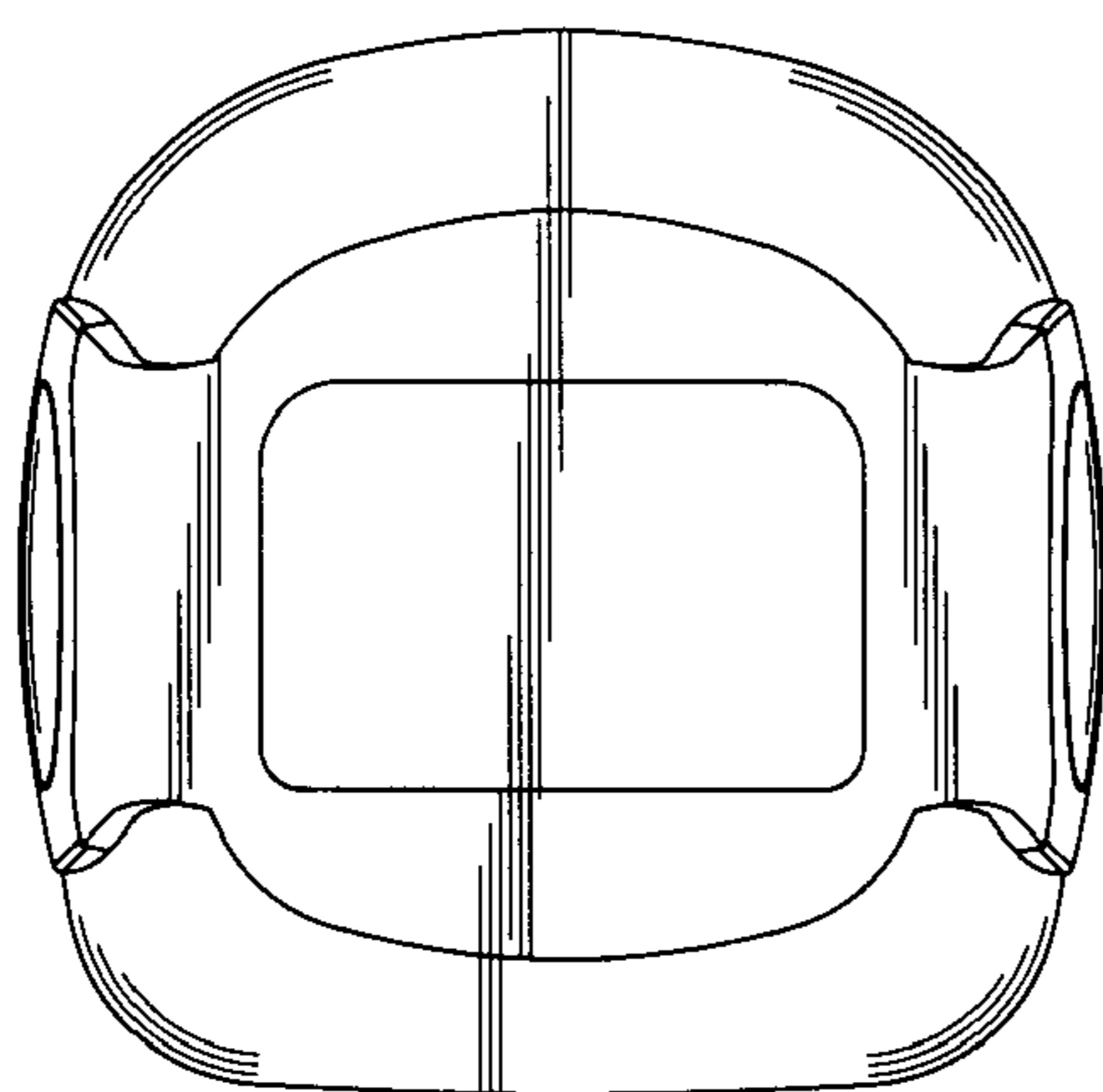


FIG. 5

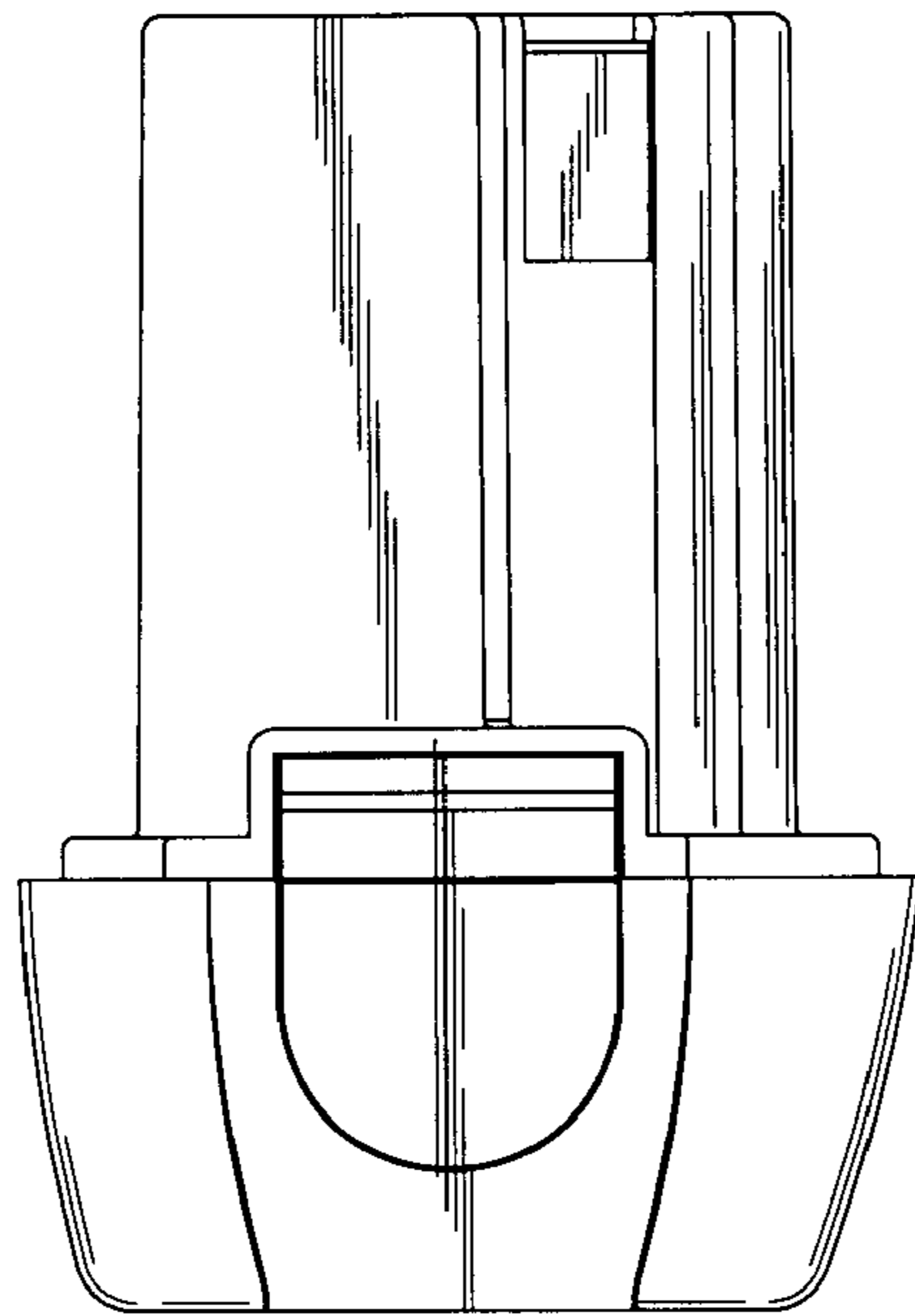


FIG. 6

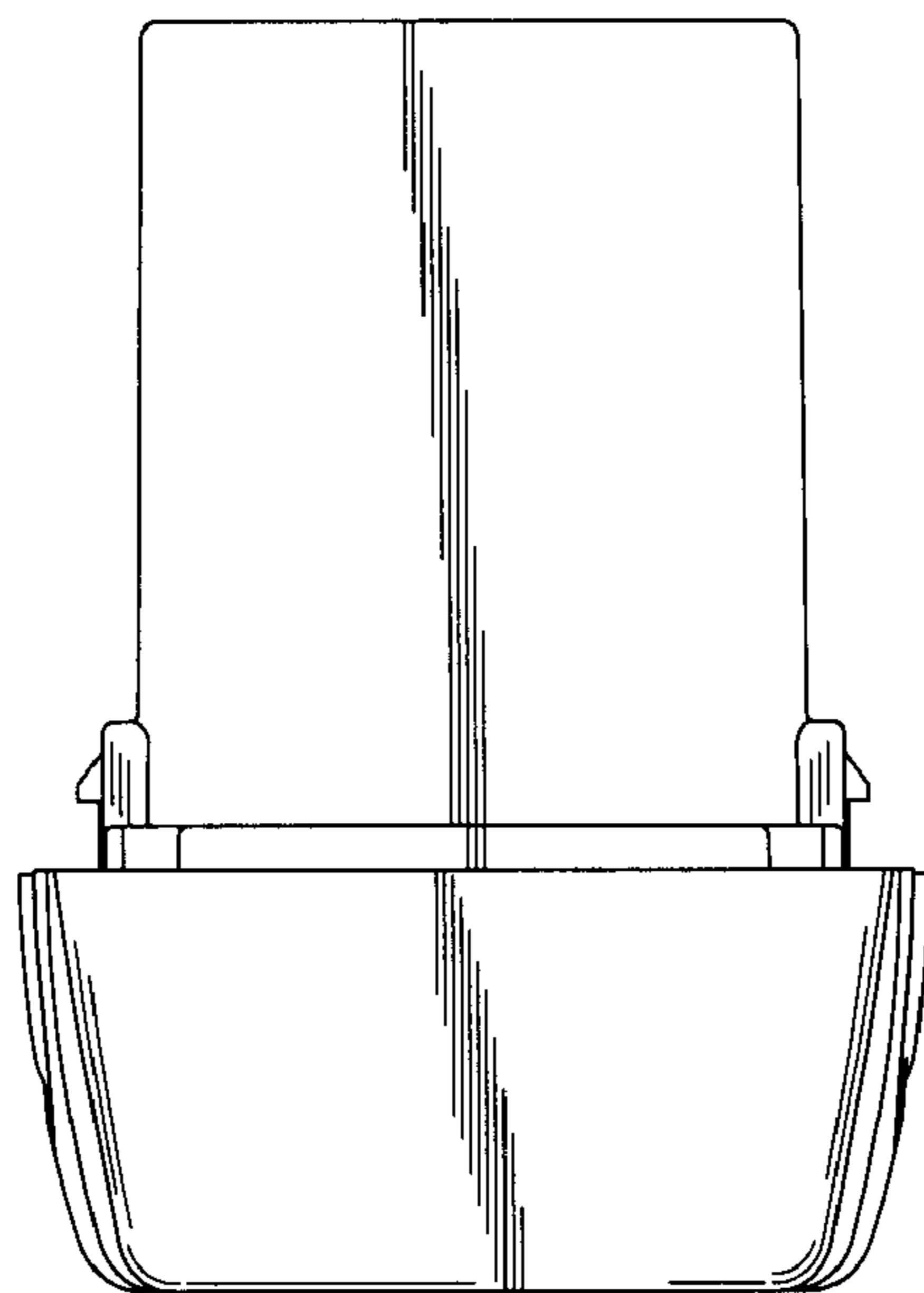


FIG. 7