

US00D528971S

(12) **United States Design Patent** (10) **Patent No.:** **US D528,971 S**
Board et al. (45) **Date of Patent:** **** *Sep. 26, 2006**

(54) **MOTORCYCLE TIRE TREAD**
(75) Inventors: **Malcolm Board**, Birmingham (GB);
Mark Sears, West Midlands (GB)

D487,247 S * 3/2004 Yamane D12/535
D502,442 S * 3/2005 Brown et al. D12/535
D502,681 S * 3/2005 Miyasaka D12/535
D505,371 S * 5/2005 Hueller D12/209

(73) Assignee: **The Goodyear Tire & Rubber Company**, Akron, OH (US)

OTHER PUBLICATIONS

(*) Notice: This patent is subject to a terminal disclaimer.

Dunlop D208 GP and GP-A Rear Radial Street High Performance Tires, 2004 Tread Design Guide, Jan. 2004, p. 197. 1/4&5.*

(**) Term: **14 Years**

* cited by examiner

(21) Appl. No.: **29/226,999**

Primary Examiner—Robert M. Spear

(22) Filed: **Apr. 5, 2005**

(74) Attorney, Agent, or Firm—Richard B. O’Planick

(30) **Foreign Application Priority Data**

(57) **CLAIM**

Nov. 10, 2004 (GB) 3019382

The ornamental design for a motorcycle tire tread, as shown and described.

(51) **LOC (8) Cl.** **12-15**

DESCRIPTION

(52) **U.S. Cl.** **D12/535**

(58) **Field of Classification Search** D12/534,
D12/535, 536, 537, 544, 569, 570, 571, 572,
D12/579; 152/209.1, 209.9, 209.11, 209.12,
152/209.28

FIG. 1 is a perspective view of a tire tread showing our new design, it being understood that the pattern repeats uniformly throughout the circumference of the tread;
FIG. 2 is a front elevational view thereof;
FIG. 3 is a right side elevational view thereof; the other side being a mirror image thereof; and,
FIG. 4 is an enlarged fragmentary front elevational view thereof.

See application file for complete search history.

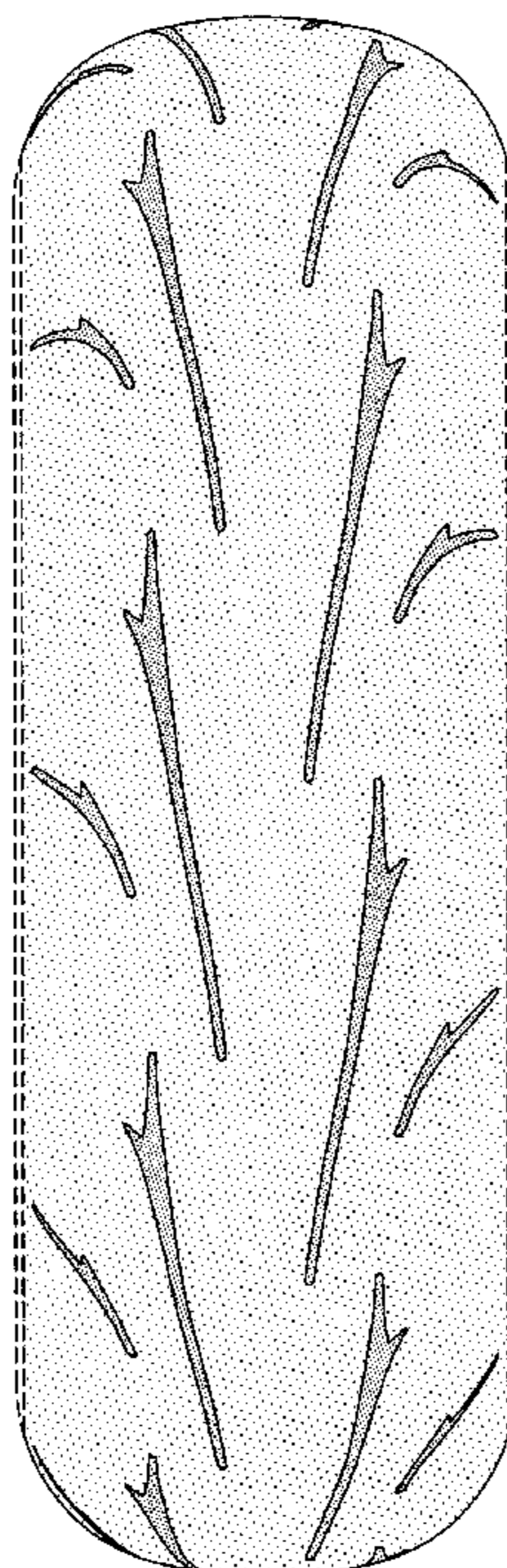
In the drawings, the broken lines defining the sidewall, inner bead and the peripheral boundary between the tire tread and the sidewall are for illustrative purposes only and form no part of the claimed design.

(56) **References Cited**

U.S. PATENT DOCUMENTS

D346,351 S 4/1994 Suzuki D12/151
D372,694 S 8/1996 Suzuki D12/151
D381,303 S 7/1997 Jackson D12/151
D452,202 S 12/2001 Toyozawa D12/151

1 Claim, 4 Drawing Sheets



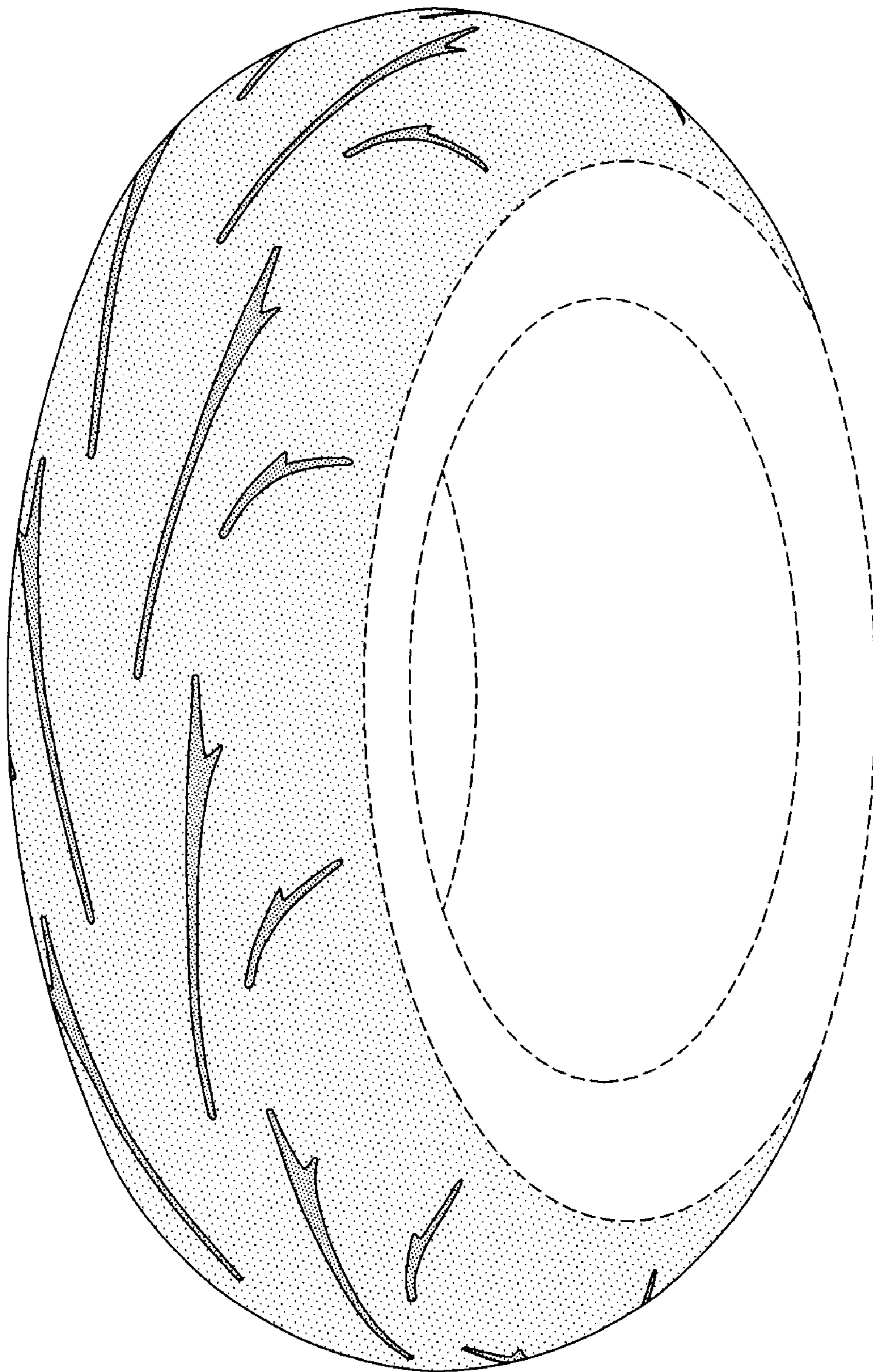


FIG-1

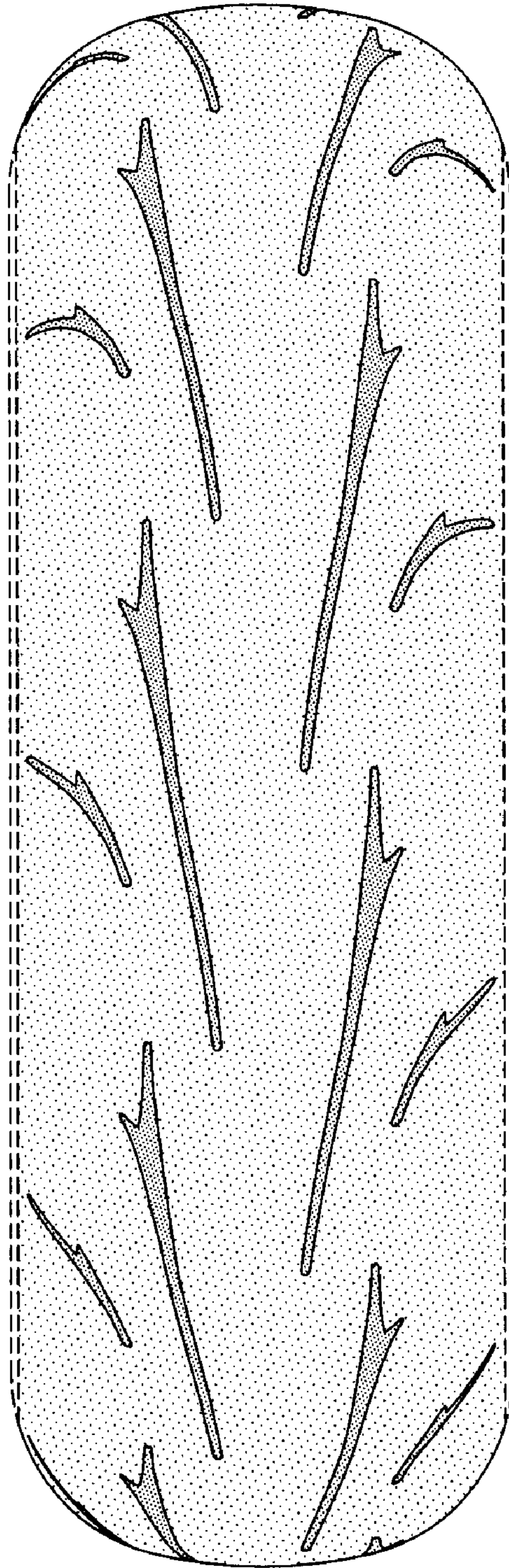


FIG-2

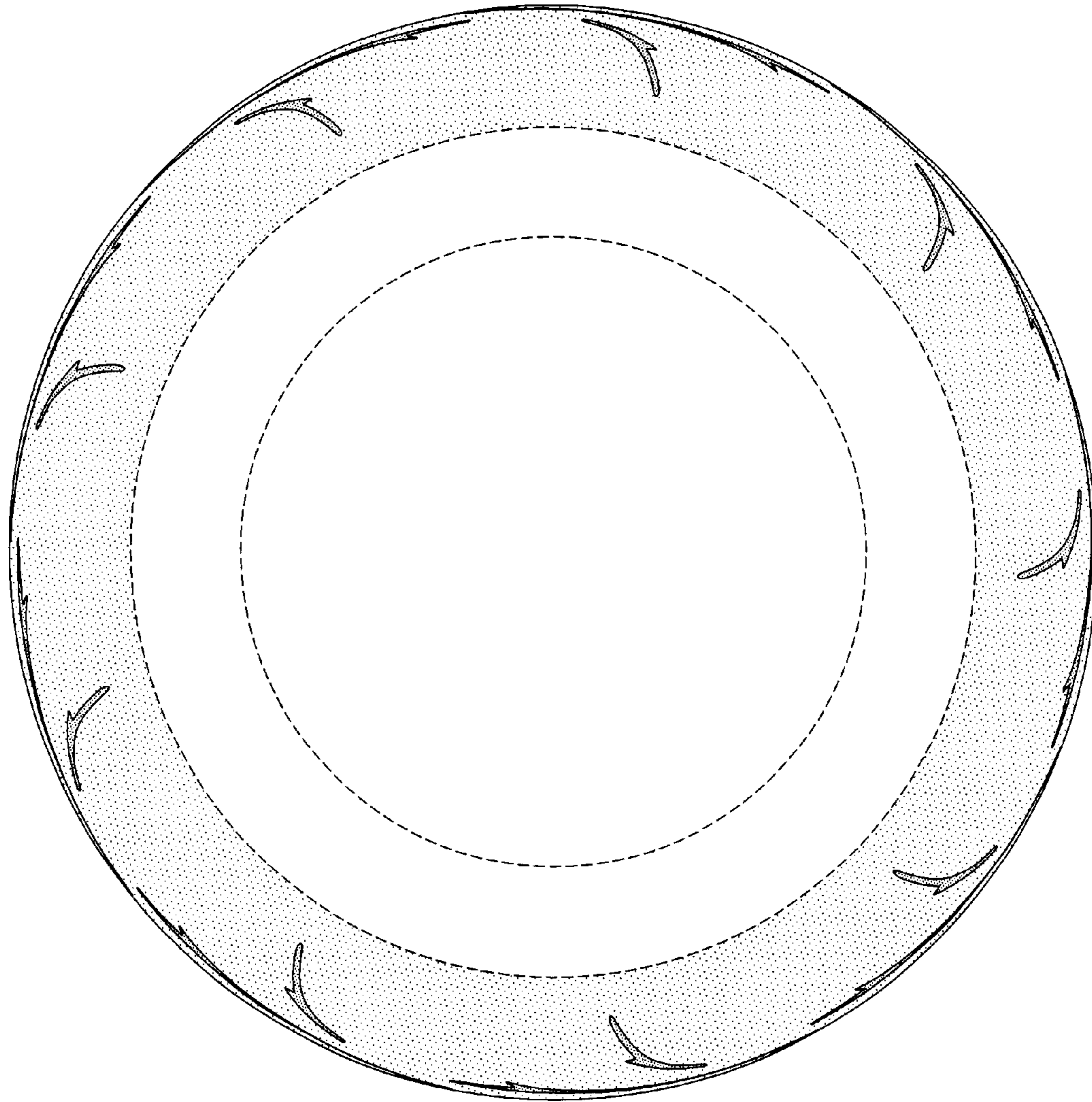


FIG-3

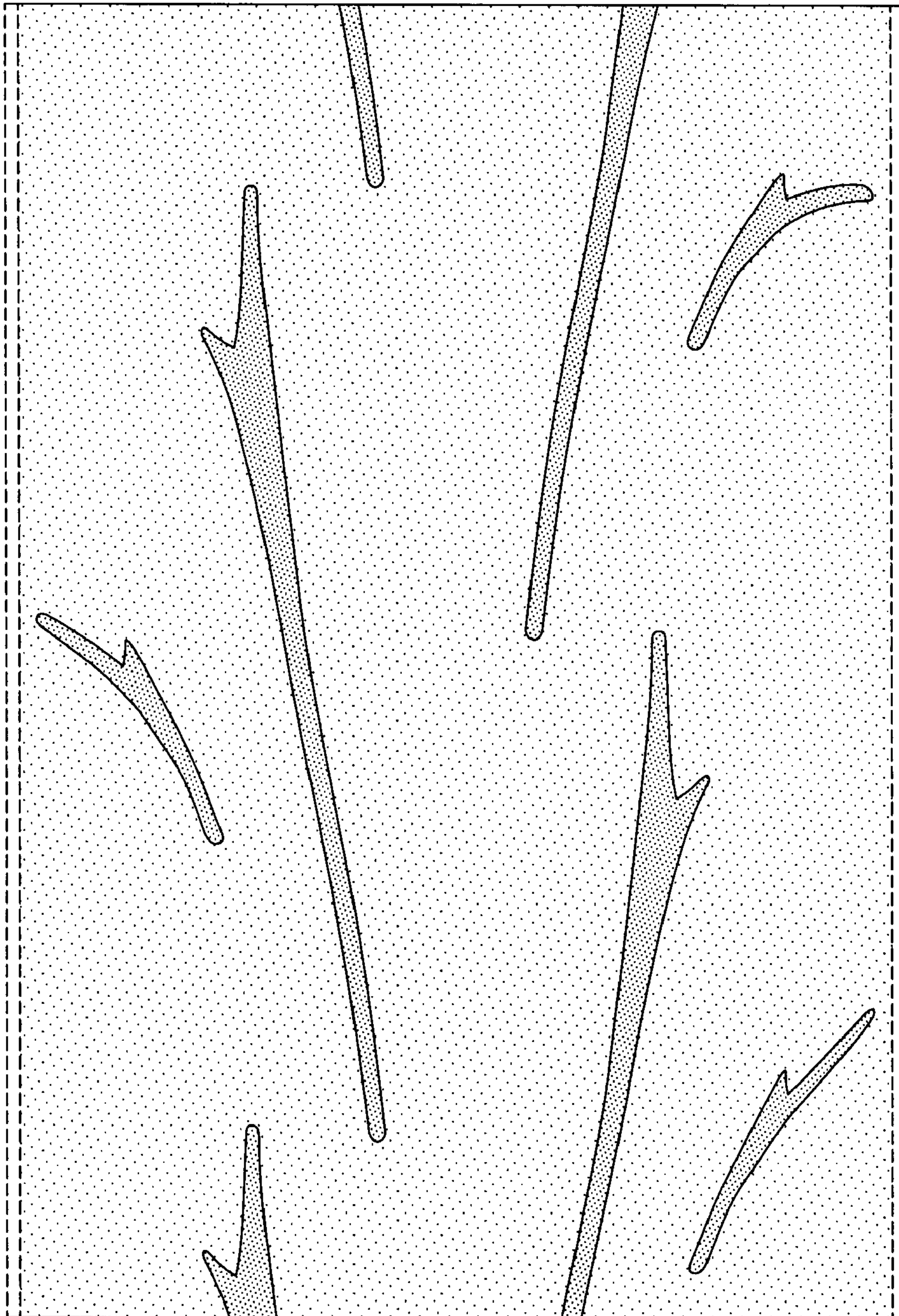


FIG-4