

US00D528970S

(12) **United States Design Patent**  
**Board et al.**

(10) **Patent No.: US D528,970 S**

(45) **Date of Patent: \*\* \*Sep. 26, 2006**

(54) **MOTORCYCLE TIRE TREAD**

(75) Inventors: **Malcolm Board**, Birmingham (GB);  
**Mark Sears**, West Midlands (GB)

(73) Assignee: **The Goodyear Tire & Rubber Company**, Akron, OH (US)

(\* ) Notice: This patent is subject to a terminal disclaimer.

(\*\* ) Term: **14 Years**

(21) Appl. No.: **29/226,971**

(22) Filed: **Apr. 5, 2005**

(30) **Foreign Application Priority Data**

Nov. 10, 2004 (GB) ..... 3019381

(51) **LOC (8) Cl.** ..... **12-15**

(52) **U.S. Cl.** ..... **D12/535**

(58) **Field of Classification Search** ..... D12/534,  
D12/535, 536, 537, 544, 569, 570, 571, 572,  
D12/579; 152/209.1, 209.9, 209.11, 209.12,  
152/209.28

See application file for complete search history.

(56) **References Cited**

**U.S. PATENT DOCUMENTS**

D346,351 S 4/1994 Suzuki ..... D12/151  
D372,694 S 8/1996 Suzuki ..... D12/151  
D381,303 S 7/1997 Jackson ..... D12/151  
D452,202 S 12/2001 Toyozawa ..... D12/151

D487,247 S \* 3/2004 Yamane ..... D12/535  
D502,442 S \* 3/2005 Brown et al. .... D12/535  
D502,681 S \* 3/2005 Miyasaka ..... D12/535  
D505,371 S \* 5/2005 Hueller ..... D12/209

**OTHER PUBLICATIONS**

Dunlop D208GP and GP-A Rear Radial Street High Performance Tires, 2004 Tread Design Guide, Jan. 2004, p. 197. 1/4 & 5.\*

\* cited by examiner

*Primary Examiner*—Robert M. Spear

(74) *Attorney, Agent, or Firm*—Richard B. O'Planick

(57) **CLAIM**

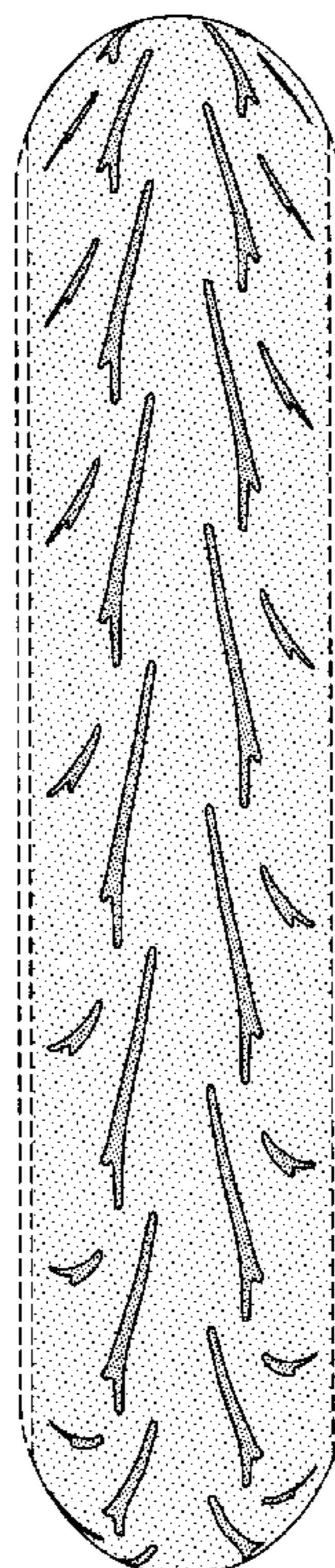
The ornamental design for a motorcycle tire tread, as shown and described.

**DESCRIPTION**

FIG. 1 is a perspective view of a motorcycle tire tread showing our new design, it being understood that the pattern repeats uniformly throughout the circumference of the tread; FIG. 2 is a front elevational view thereof; FIG. 3 is a right side elevational view thereof; the other side being a mirror image thereof; and, FIG. 4 is an enlarged fragmentary front elevational view thereof.

In the drawings, the broken lines defining the sidewall, inner bead and the peripheral boundary between the tire tread and the sidewall are for illustrative purposes only and form no part of the claimed design.

**1 Claim, 4 Drawing Sheets**



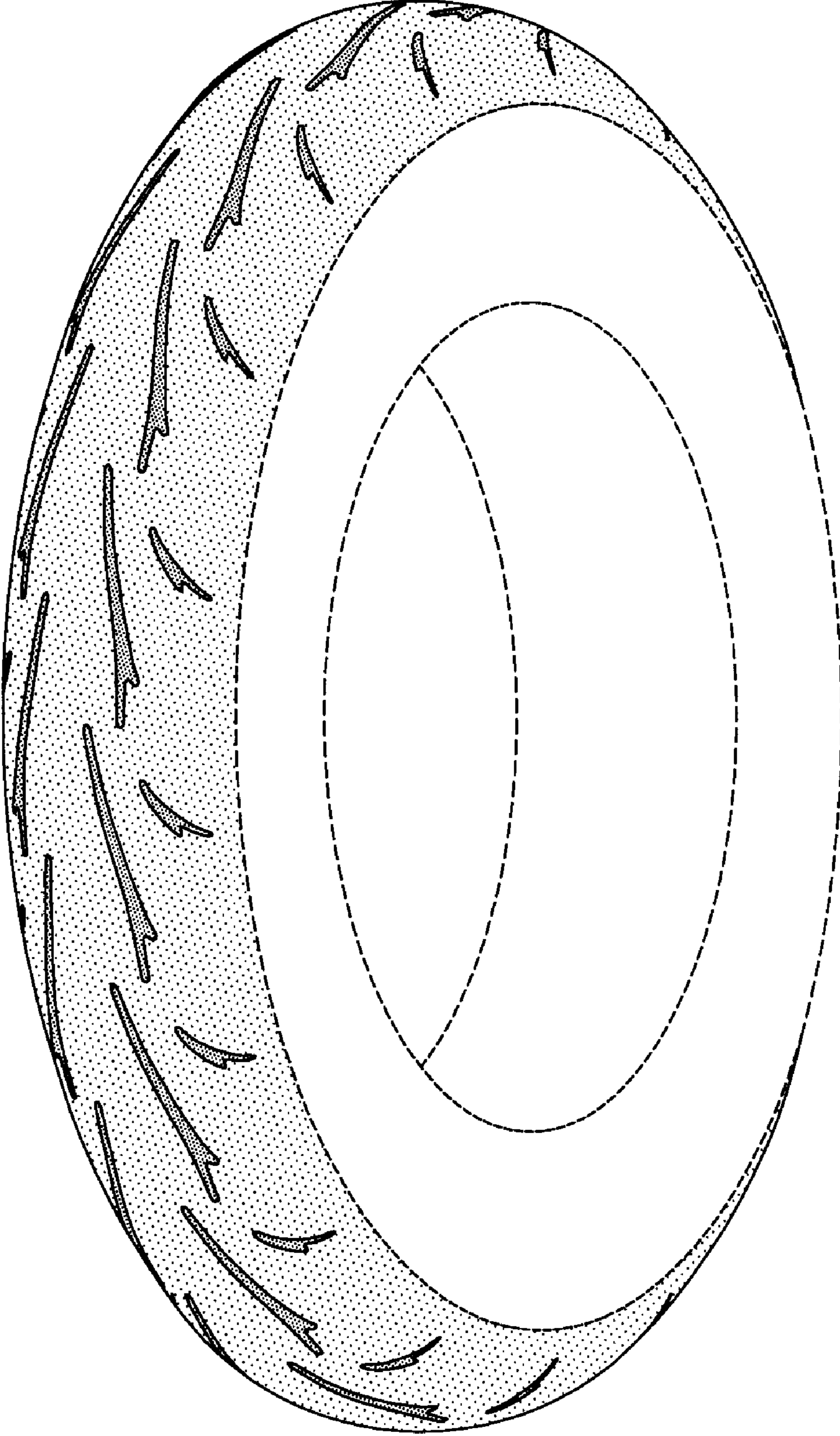


FIG-1

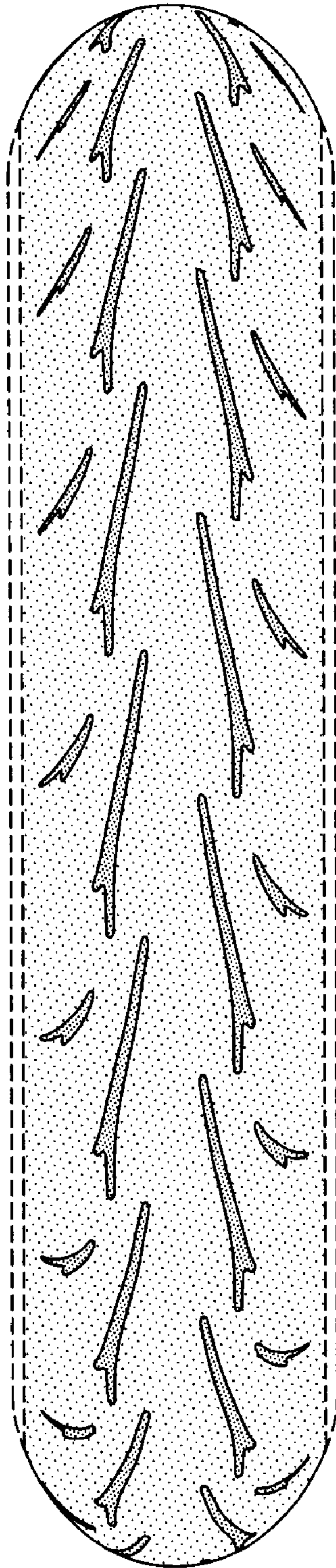


FIG-2



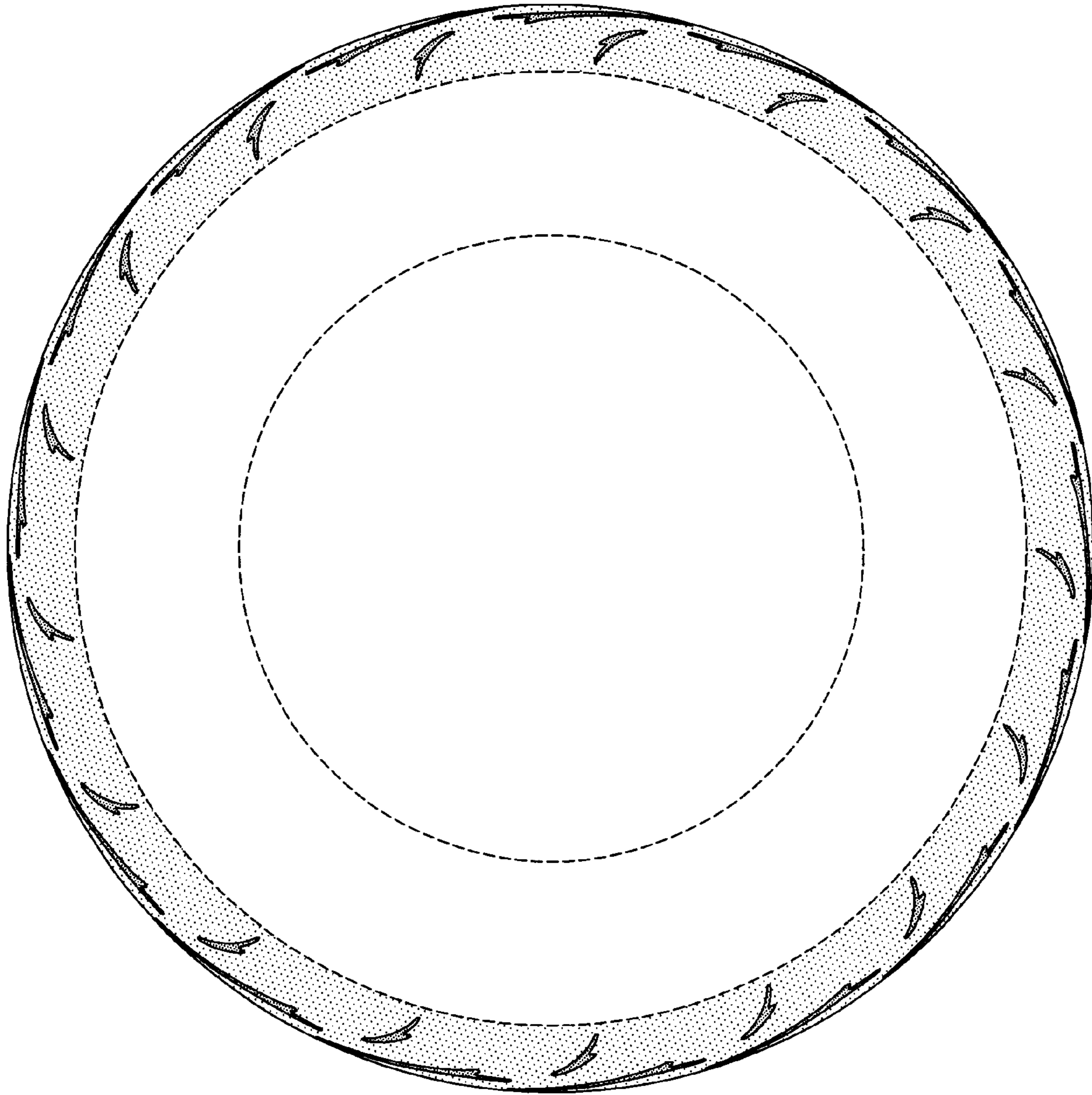


FIG-3

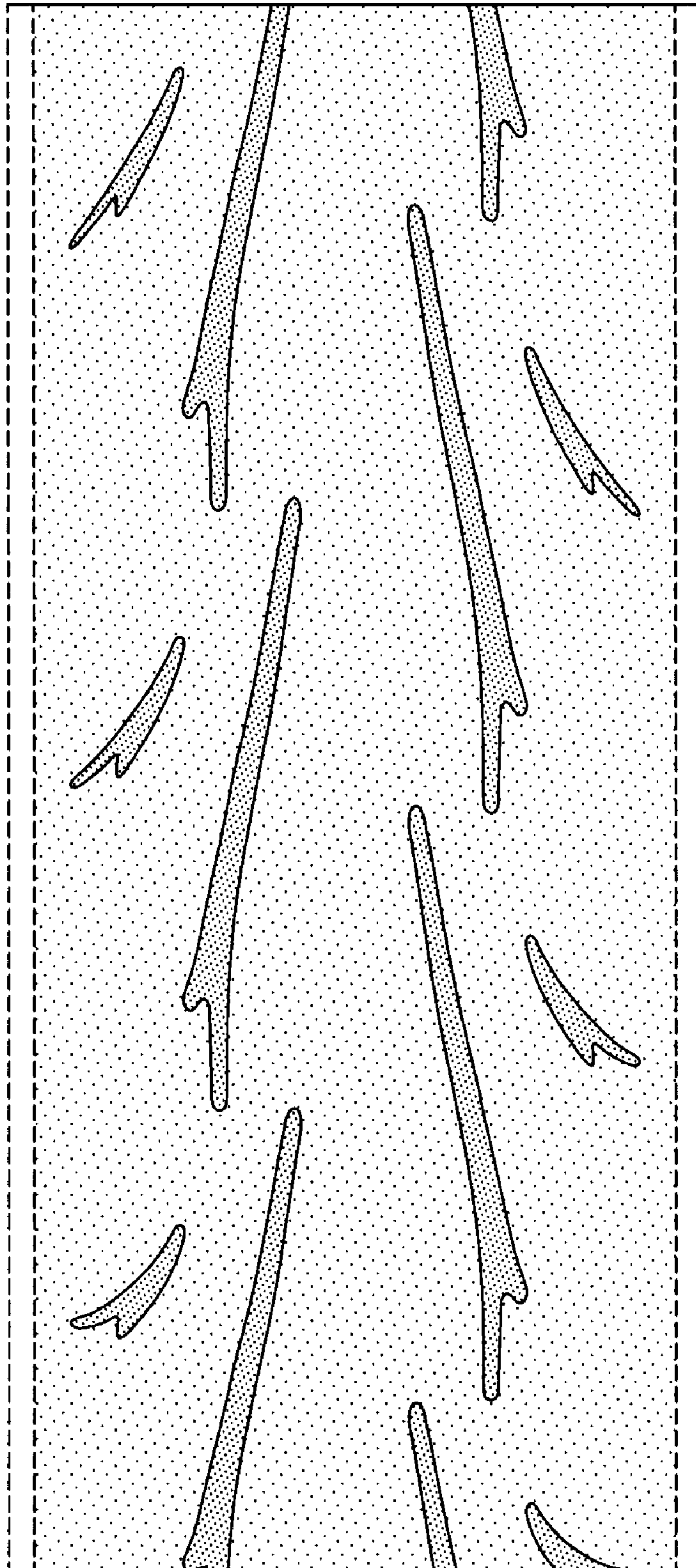


FIG-4