



US00D528966S

(12) **United States Design Patent**
Ezra

(10) **Patent No.:** **US D528,966 S**

(45) **Date of Patent:** **** Sep. 26, 2006**

(54) **MOTORCYCLE CARRIER**

(76) **Inventor:** **Brandon Joshua Ezra**, 9341 South St.
Rd. 39, Winamac, IN (US) 46996

(**) **Term:** **14 Years**

(21) **Appl. No.:** **29/234,564**

(22) **Filed:** **Jul. 21, 2005**

(51) **LOC (8) Cl.** **12-16**

(52) **U.S. Cl.** **D12/408**

(58) **Field of Classification Search** D12/115,
D12/406-408, 412; 211/5, 17-22; 224/412-425,
224/488, 489, 309-311, 400, 495, 324-326,
224/500-532, 405, 924; 414/462; 280/292,
280/304.5

See application file for complete search history.

(56) **References Cited**

U.S. PATENT DOCUMENTS

3,176,903	A	*	4/1965	Farley	224/490
3,567,052	A	*	3/1971	Allen et al.	414/462
3,731,830	A	*	5/1973	Long	414/462
3,912,139	A	*	10/1975	Bowman	410/3
4,275,981	A	*	6/1981	Bruhn	414/462
4,349,138	A	*	9/1982	Bruhn	224/443
4,744,590	A	*	5/1988	Chesney	280/769
D306,992	S	*	4/1990	Morehouse	D12/408
5,377,886	A	*	1/1995	Sickler	224/521
5,497,927	A	*	3/1996	Peterson	224/519

5,649,732	A	*	7/1997	Jordan et al.	296/26.1
5,699,985	A	*	12/1997	Vogel	224/564
D393,241	S	*	4/1998	Diotte	D12/408
5,839,875	A	*	11/1998	Miller et al.	414/462
6,019,266	A	*	2/2000	Johnson	224/534
6,179,184	B1	*	1/2001	Belinky et al.	224/510
6,390,343	B1	*	5/2002	Jain	224/524
D458,579	S	*	6/2002	Adams et al.	D12/406
D467,218	S	*	12/2002	Peschmann et al.	D12/408
6,579,055	B1	*	6/2003	Williams	414/462

* cited by examiner

Primary Examiner—Alan P. Douglas

Assistant Examiner—Linda Brooks

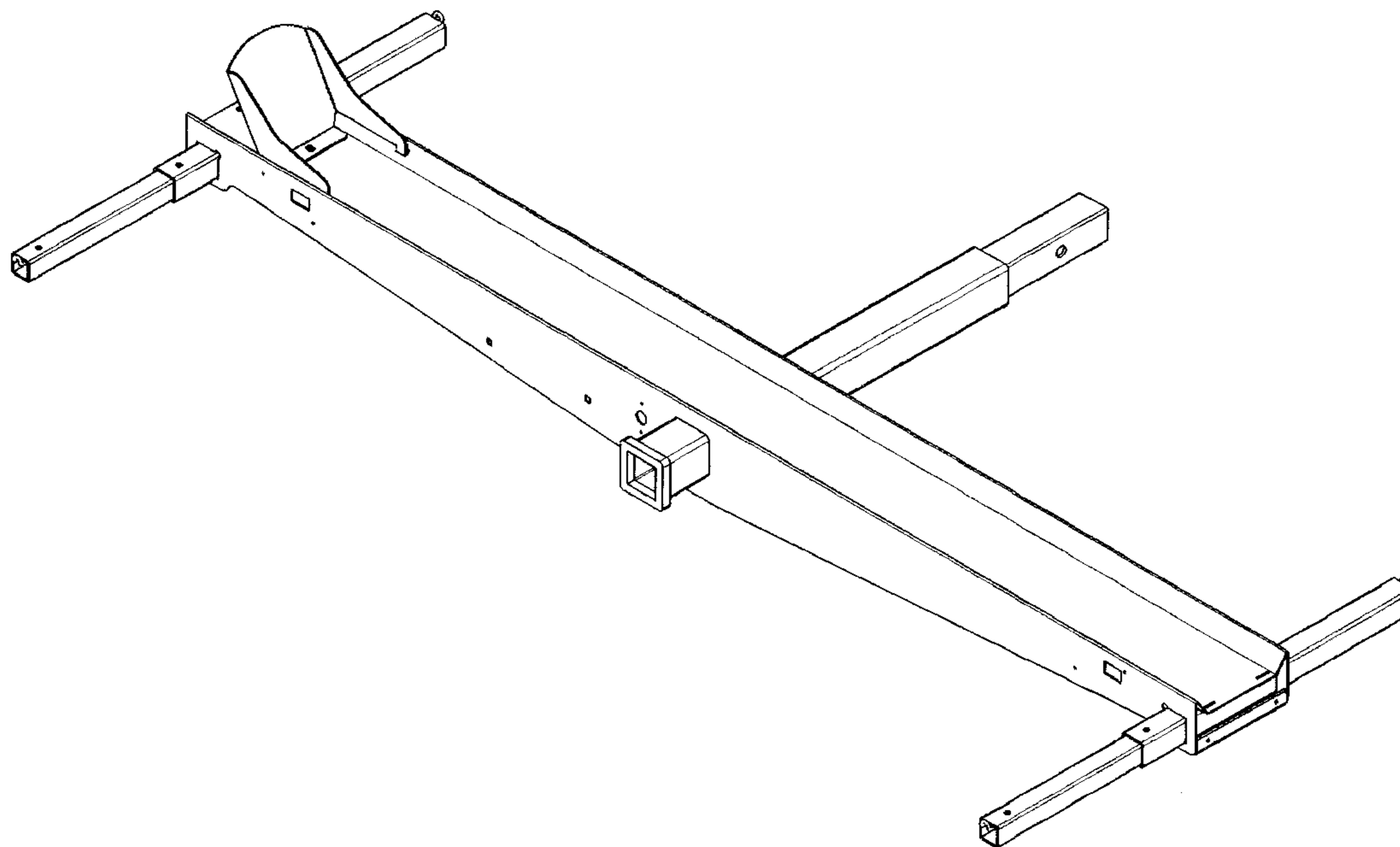
(57) **CLAIM**

The ornamental design for a motorcycle carrier, as shown and described.

DESCRIPTION

FIG. 1 is a front perspective view of the motorcycle carrier. FIG. 2 is a front elevation view of the motorcycle carrier. FIG. 3 is a rear elevation view of the motorcycle carrier. FIG. 4 is a top plan view of the motorcycle carrier. FIG. 5 is a bottom plan view of motorcycle carrier. FIG. 6 is a left side elevation view of the motorcycle carrier; and, FIG. 7 is a right side elevation view of the motorcycle carrier.

1 Claim, 4 Drawing Sheets



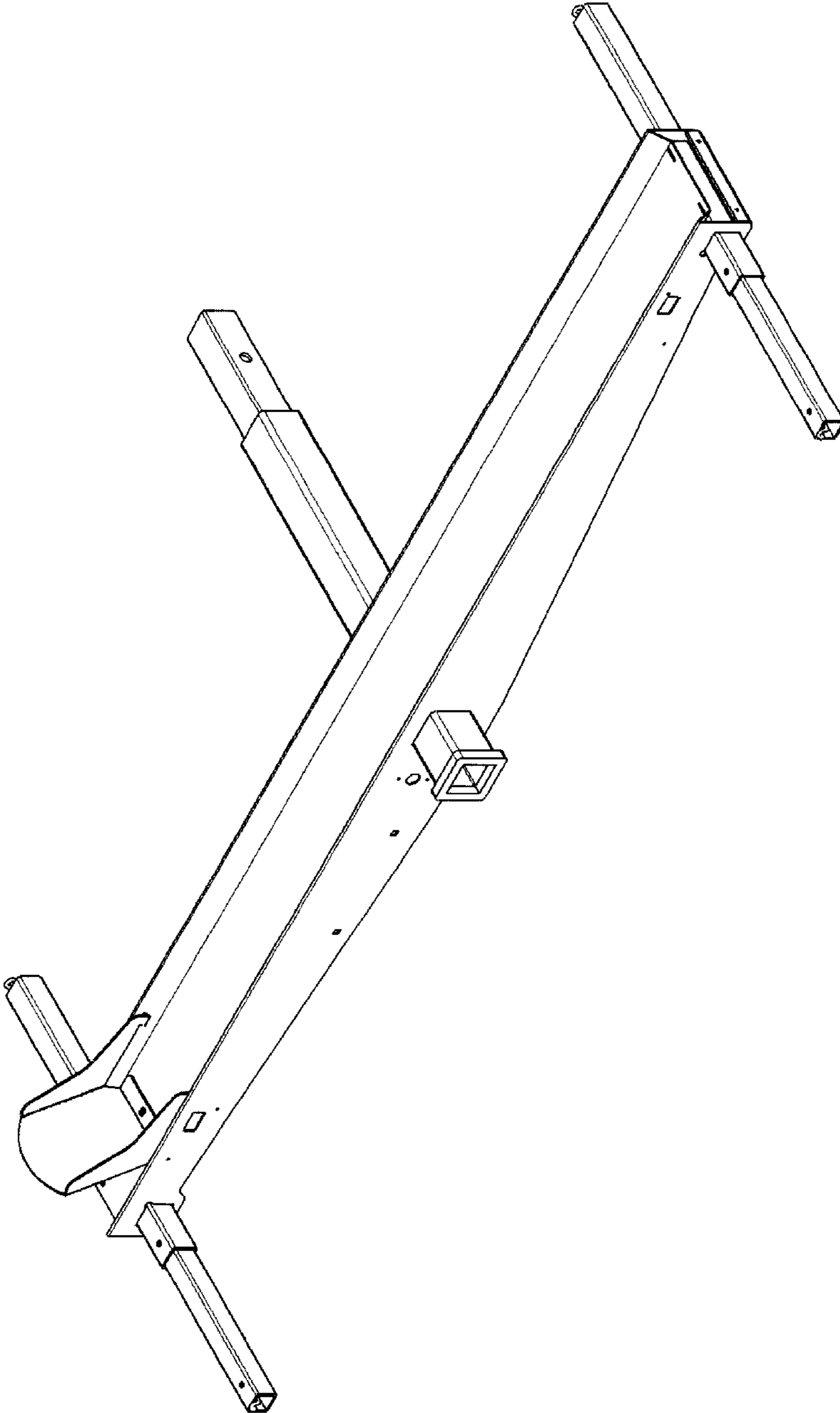


FIG. 1

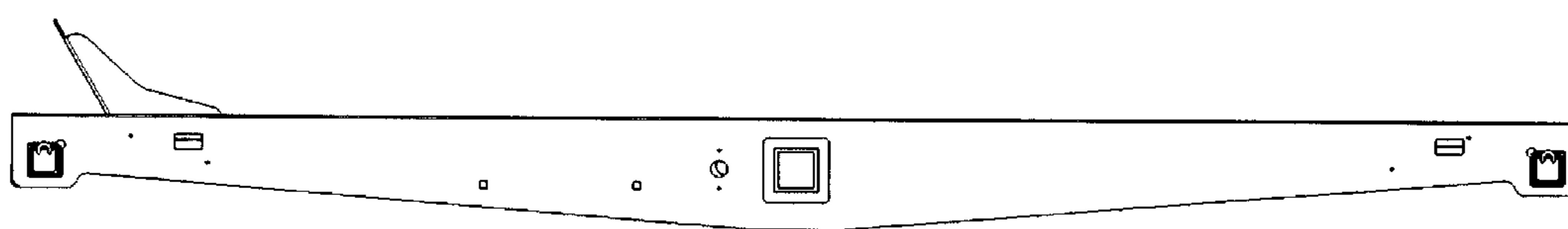


FIG. 2

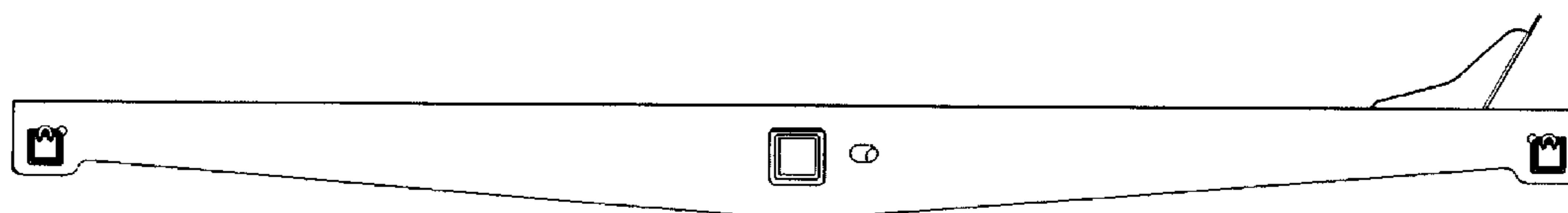


FIG. 3

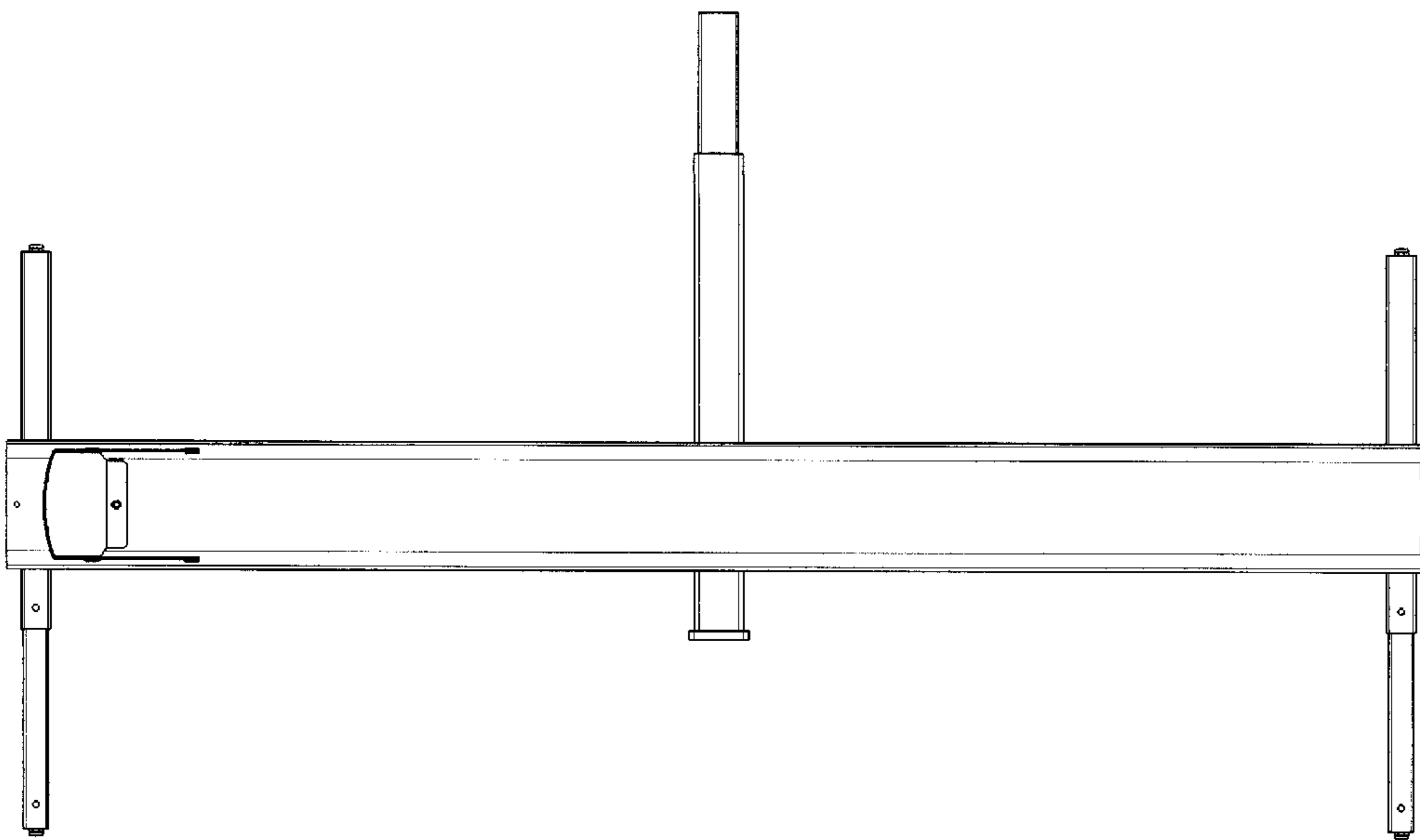


FIG. 4

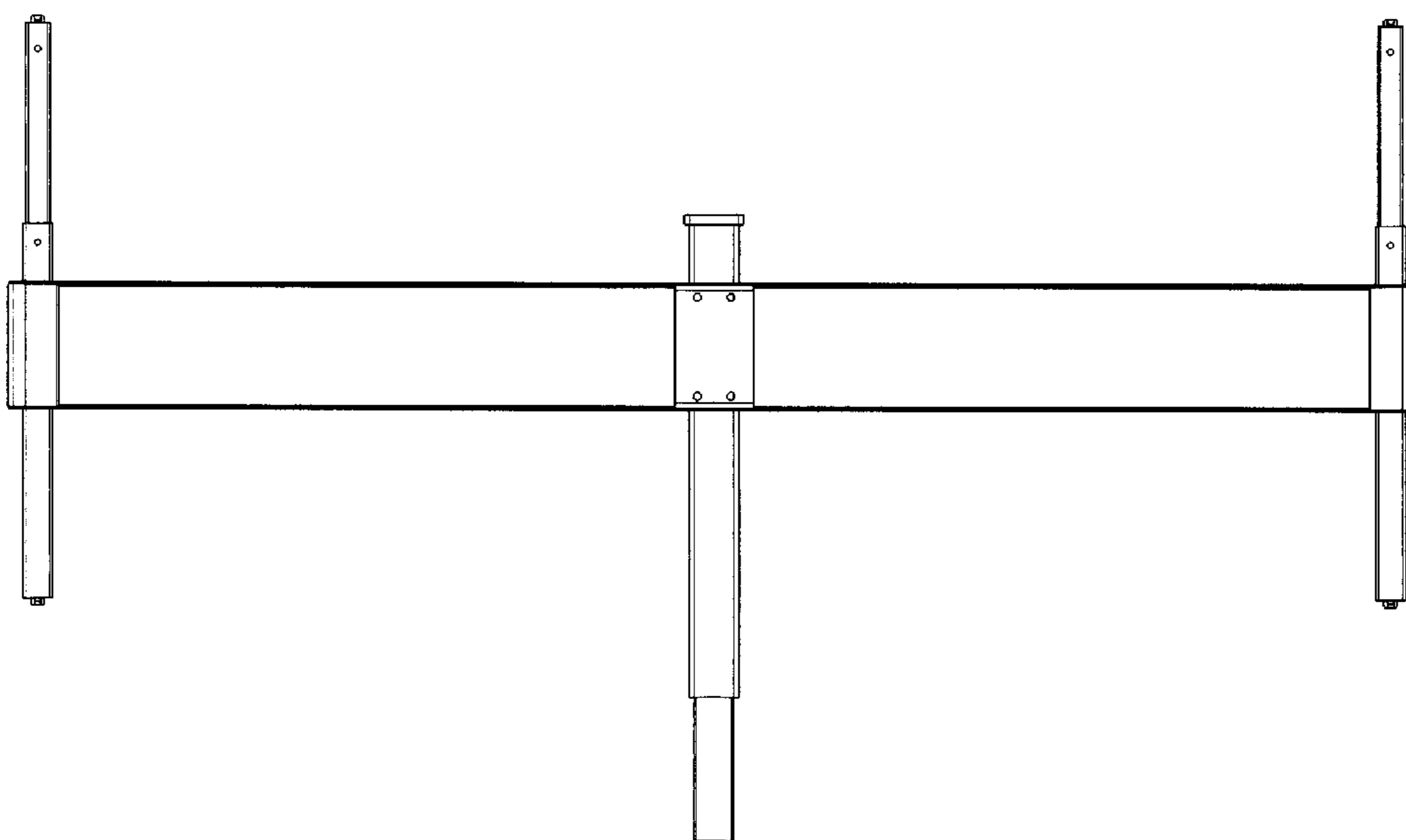


FIG. 5

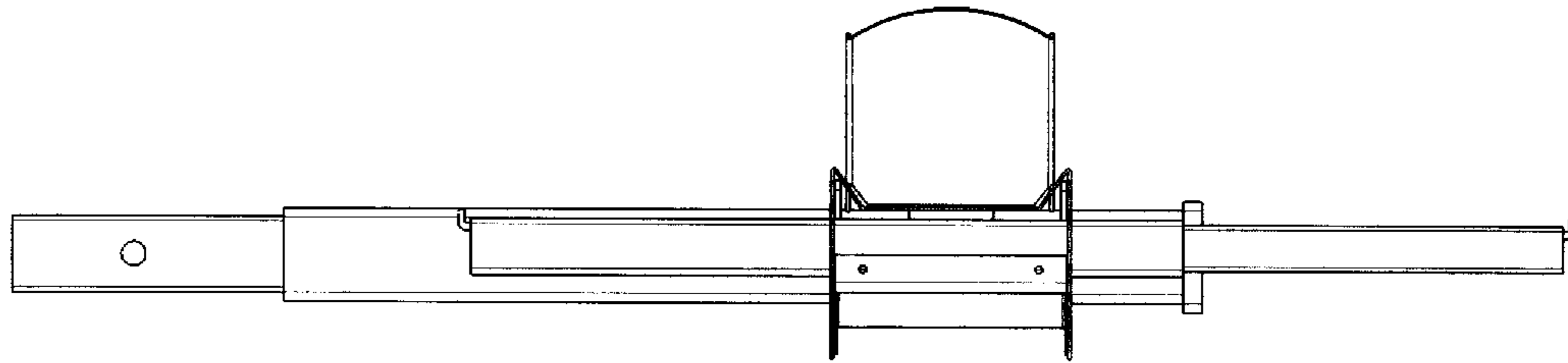


FIG. 6

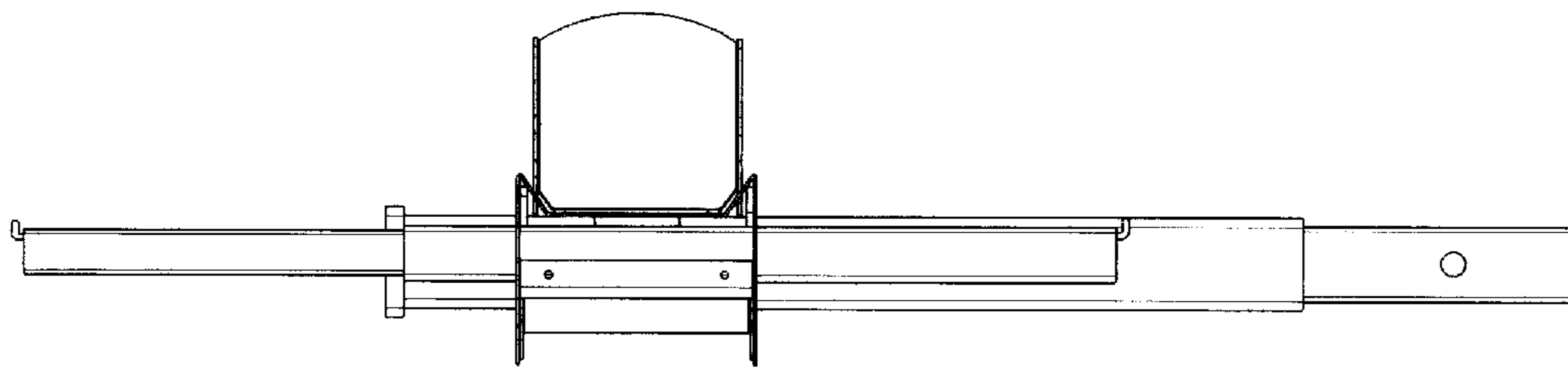


FIG. 7