



US00D528964S

(12) **United States Design Patent**
Storer et al.

(10) **Patent No.:** **US D528,964 S**

(45) **Date of Patent:** **** Sep. 26, 2006**

(54) **VEHICLE SPORTS BAR**

D515,495 S * 2/2006 Storer D12/406

(75) Inventors: **Ron Storer**, Villa Park, CA (US); **Peter Kekich, Jr.**, Palm Desert, CA (US); **David J. Ward**, Corona, CA (US)

* cited by examiner

Primary Examiner—Stacia Cadmus

(74) *Attorney, Agent, or Firm*—Stetina Brunda Garred & Brucker

(73) Assignee: **Xtreme Metal Fab., Inc.**, Brea, CA (US)

(57) **CLAIM**

(**) **Term:** **14 Years**

The ornamental design for a vehicle sports bar, as shown and described.

(21) Appl. No.: **29/257,260**

DESCRIPTION

(22) Filed: **Mar. 31, 2006**

(51) **LOC (8) Cl.** **12-16**

(52) **U.S. Cl.** **D12/222**

(58) **Field of Classification Search** D12/414–414.1,
D12/406, 412, 181, 222; 296/3, 7, 26.04,
296/26.05, 180.1, 1.07, 37.6; 280/727, 756;
224/402–405, 500–501, 551–553

See application file for complete search history.

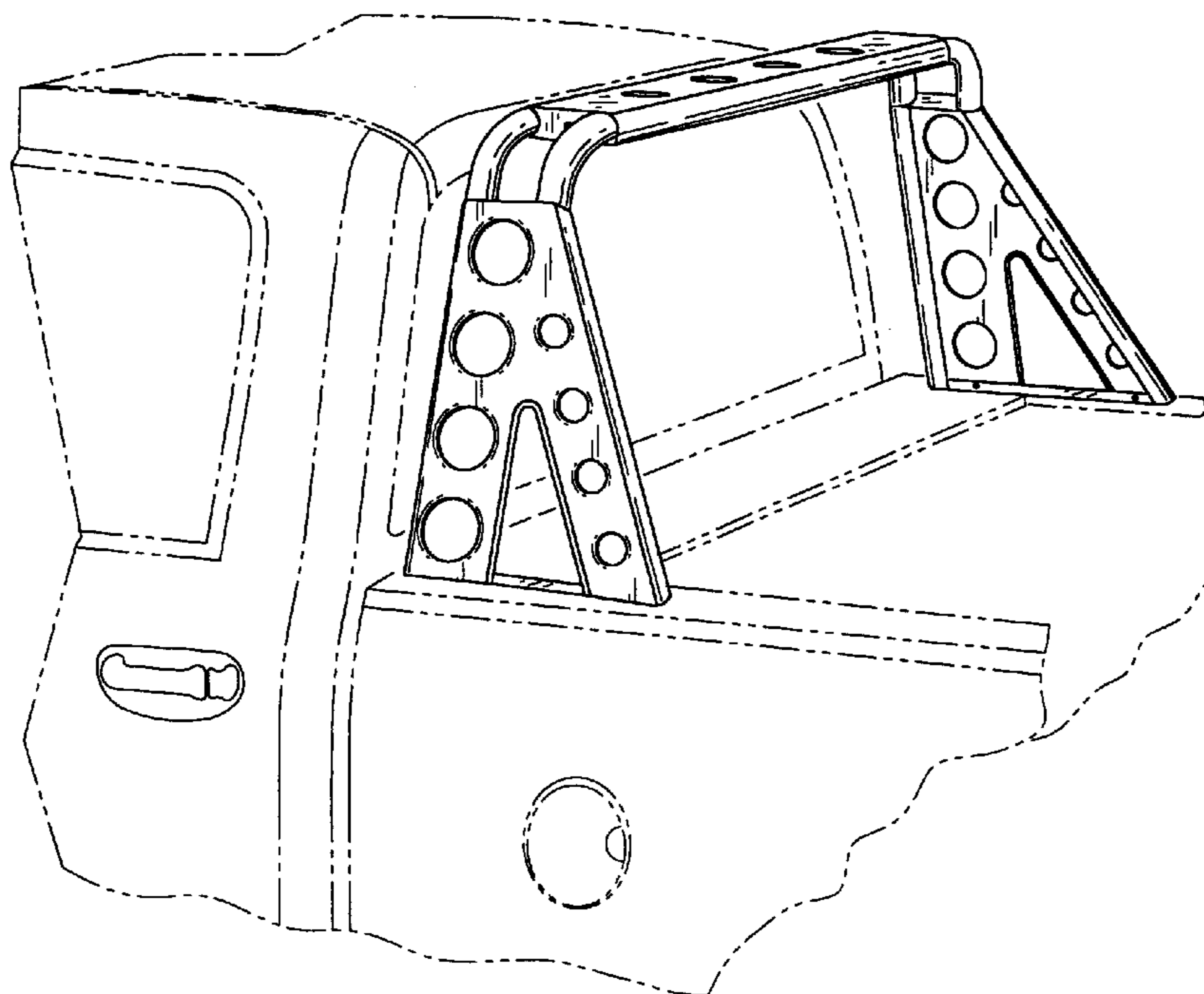
FIG. 1 is a rear perspective view of the vehicle sports bar of the present invention showing my new design with the broken lines depicting solely environmental structure and forming no part of the claimed design;
FIG. 2 is a top plan view thereof;
FIG. 3 is a front elevational view thereof;
FIG. 4 is a left side elevational view thereof;
FIG. 5 is a right side elevational view thereof;
FIG. 6 is a bottom plan view thereof;
FIG. 7 is a rear elevational view thereof;
FIG. 8 is a second embodiment of the vehicle sports bar of the present invention showing my new design with the broken lines depicting solely environmental structure and forming no part of the claimed design;
FIG. 9 is a top plan view thereof;
FIG. 10 is a front elevational view thereof;
FIG. 11 is a left side elevational view thereof;
FIG. 12 is a right side elevational view thereof;
FIG. 13 is a bottom plan view thereof; and,
FIG. 14 is a rear elevational view thereof.
The vehicle sports bar is shown on an enlarged scale in FIGS. 2–7 and FIGS. 9–14.

(56) **References Cited**

U.S. PATENT DOCUMENTS

D257,673 S	*	12/1980	Milton	D12/222
D295,084 S	*	4/1988	Weber	D12/222
D306,848 S	*	3/1990	Macor	D12/222
D316,391 S	*	4/1991	Lund	D12/181
D399,476 S	*	10/1998	Duncan	D12/222
D463,358 S	*	9/2002	Thomas	D12/406
D467,862 S	*	12/2002	Jenkins	D12/414
D493,414 S	*	7/2004	Condos et al.	D12/406
D494,921 S	*	8/2004	Taylor	D12/414
6,883,848 B1	*	4/2005	Iverson et al.	296/3
6,983,968 B1	*	1/2006	Brauer et al.	296/3
6,983,977 B1	*	1/2006	Kozak et al.	296/180.1

1 Claim, 4 Drawing Sheets



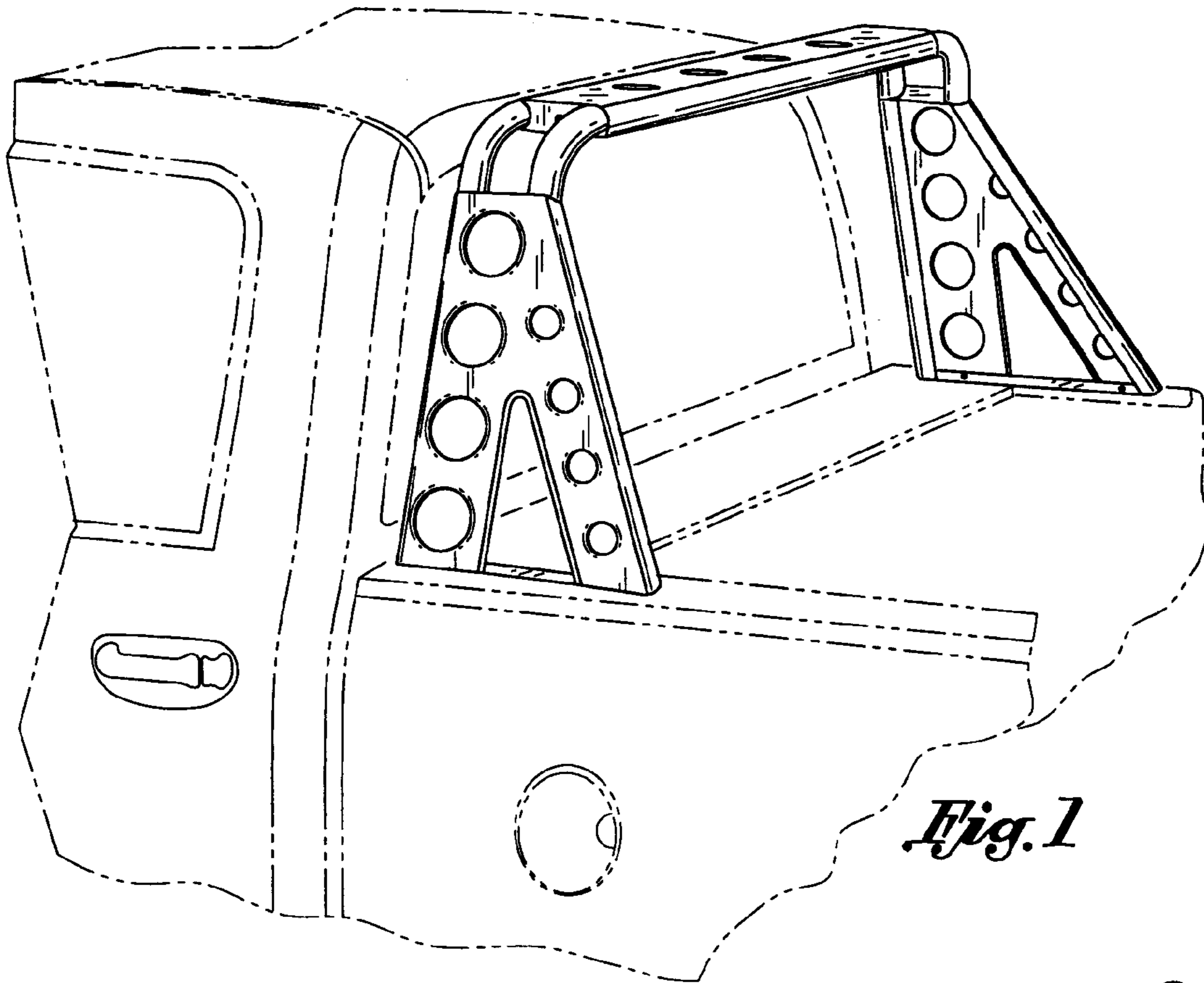


Fig. 1

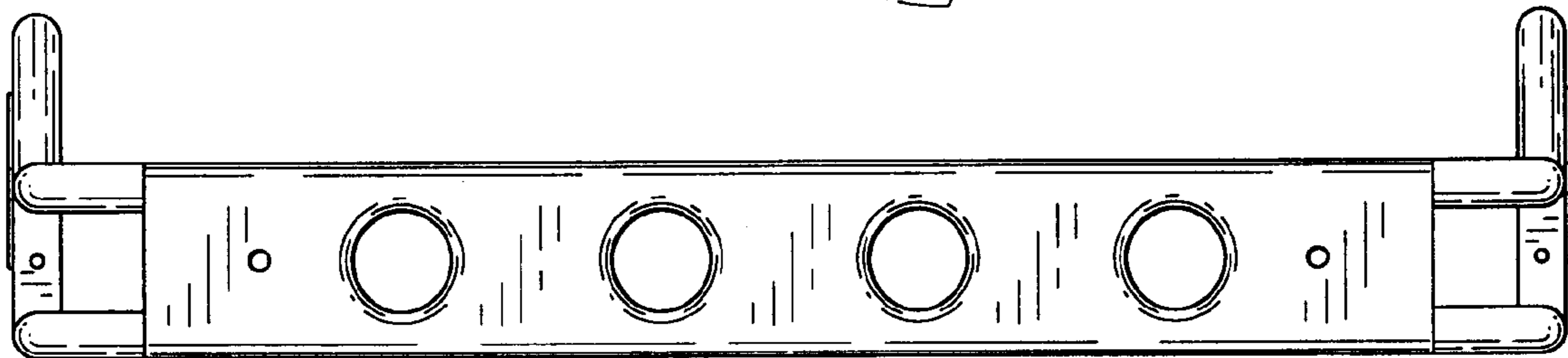


Fig. 2

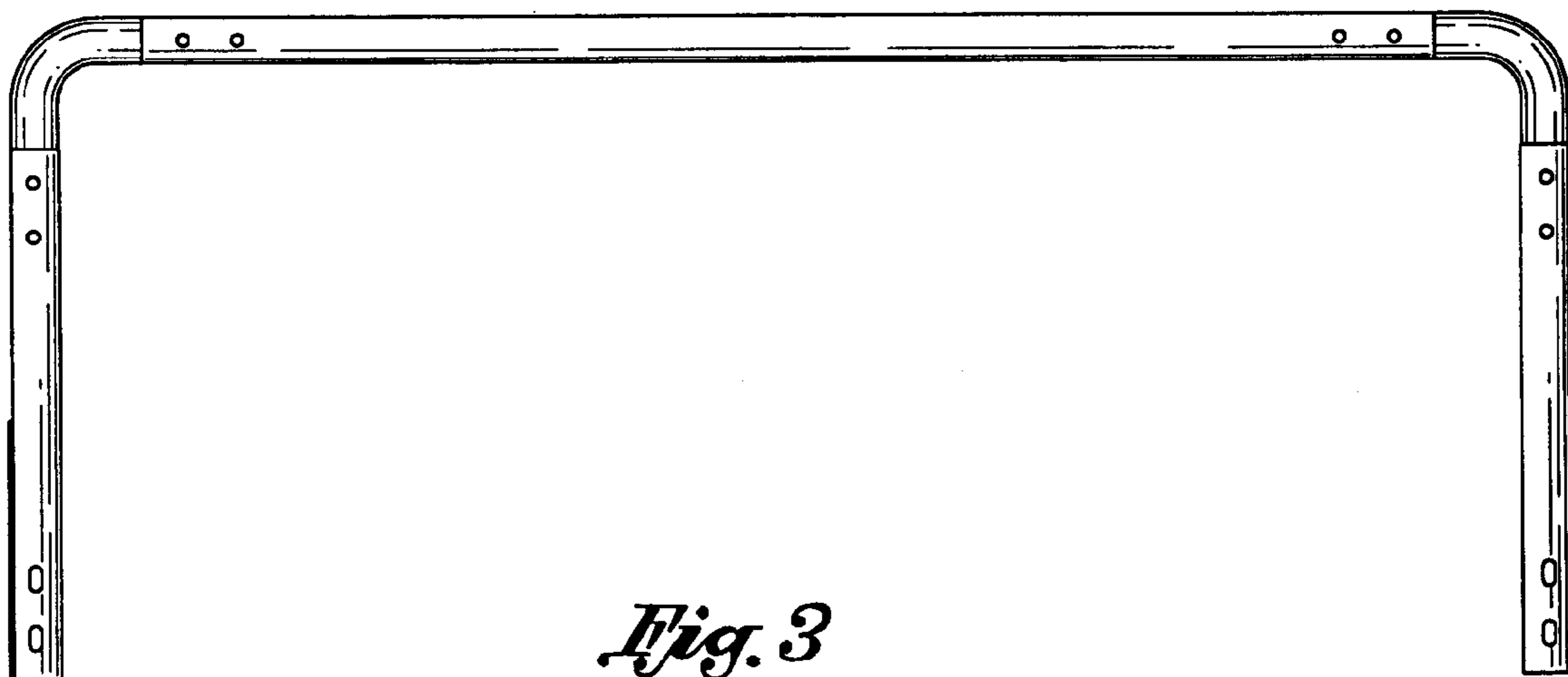


Fig. 3

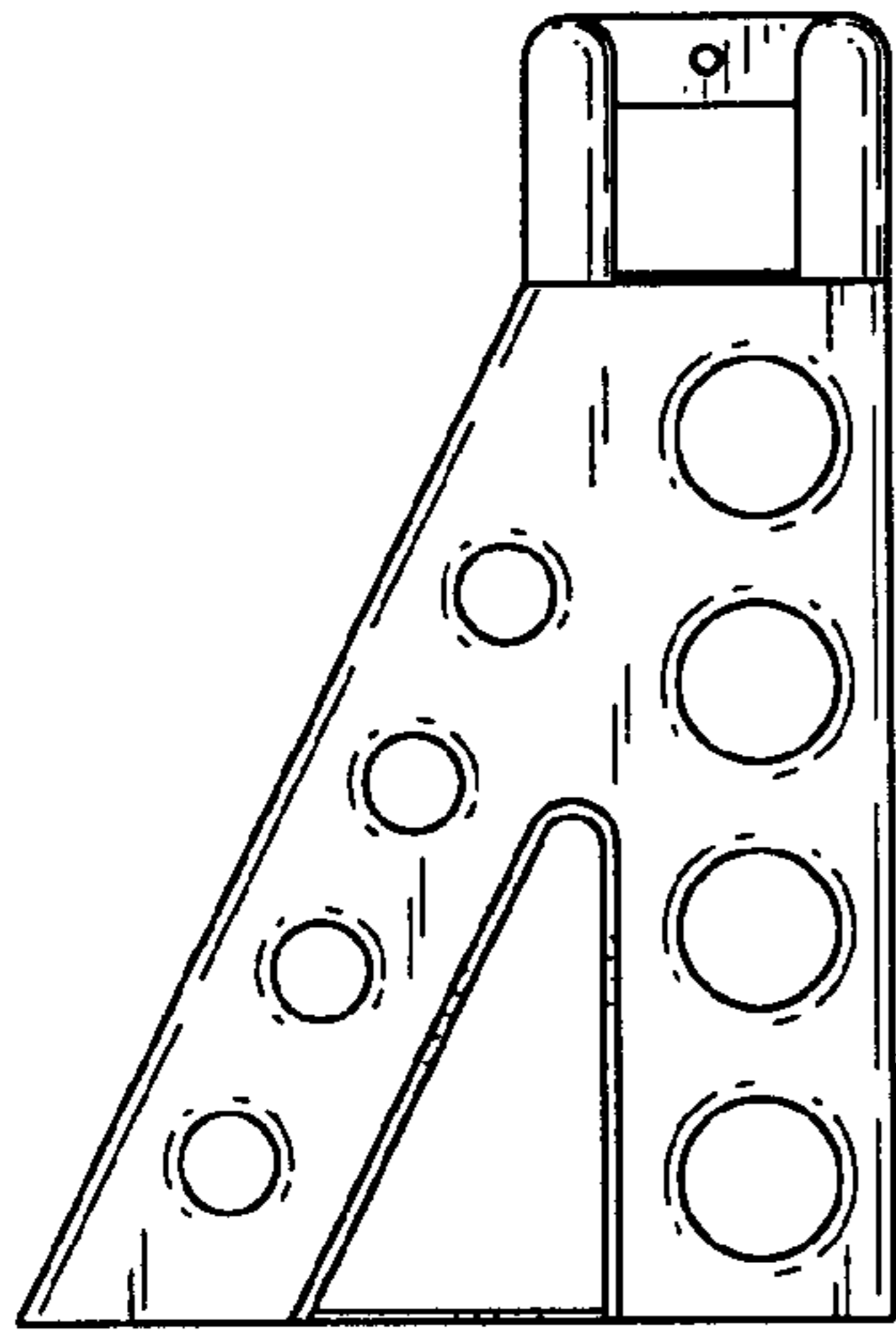


Fig. 4

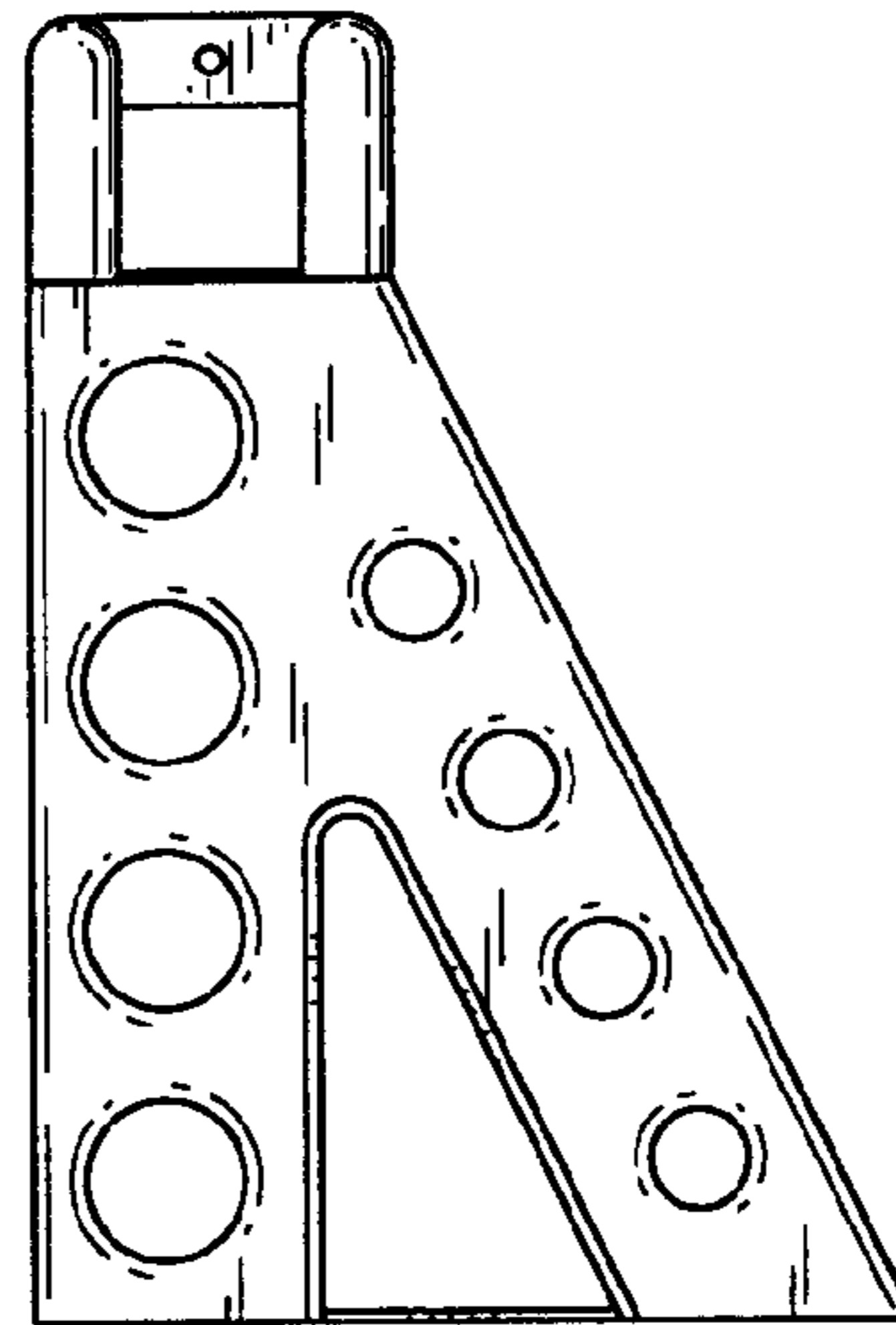


Fig. 5

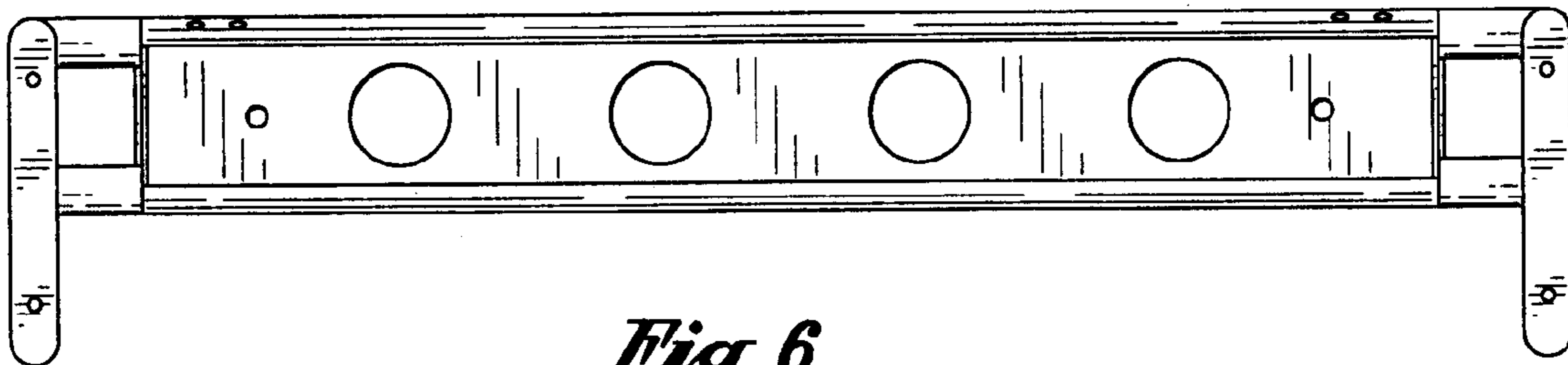


Fig. 6

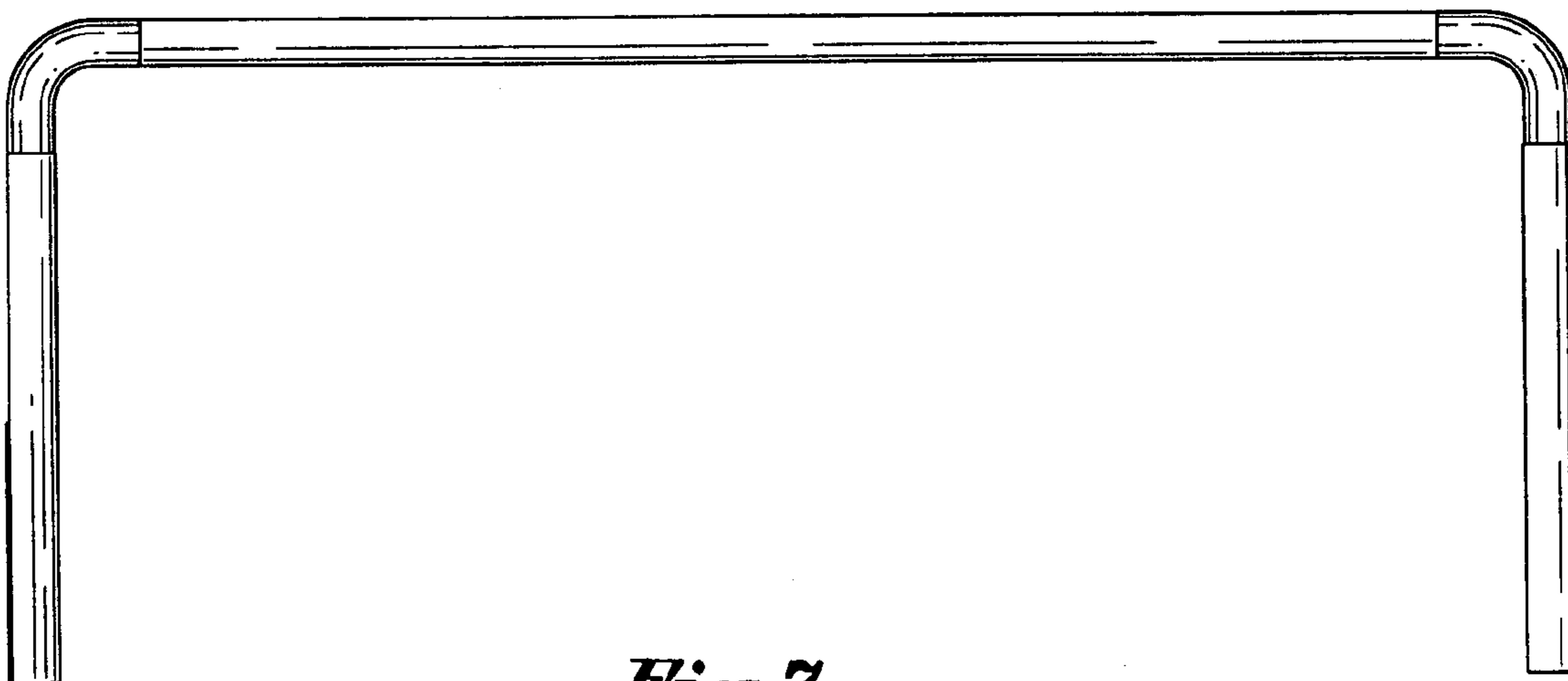


Fig. 7

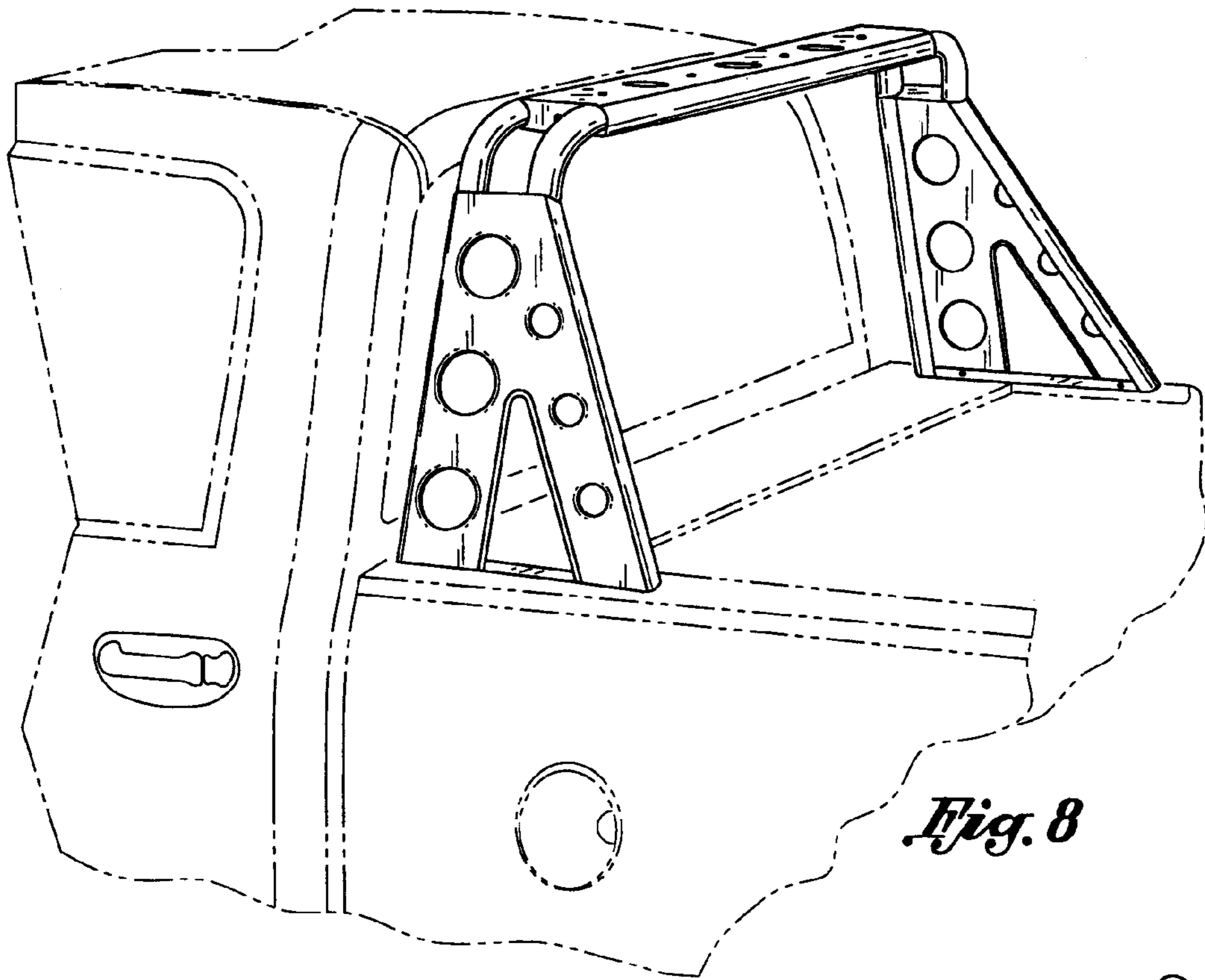


Fig. 8

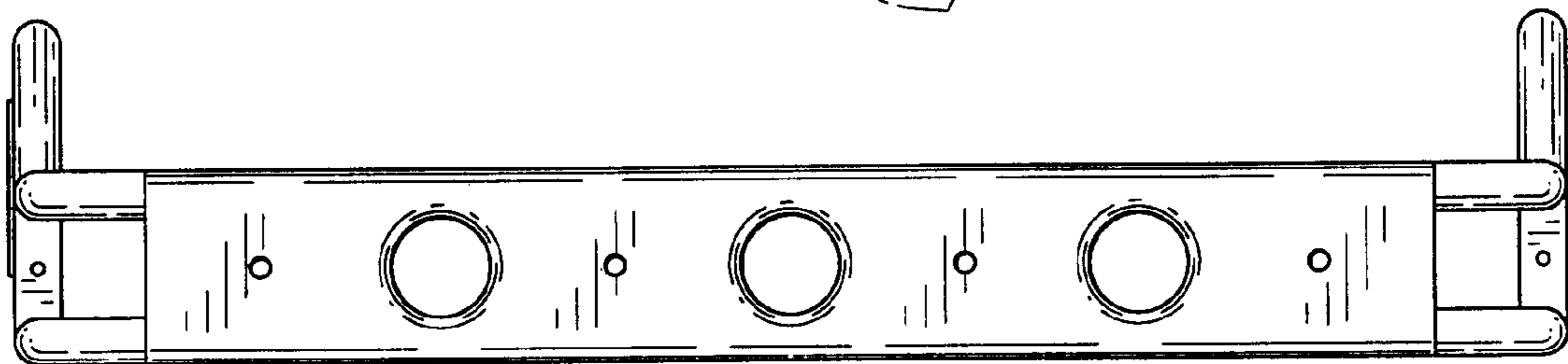


Fig. 9

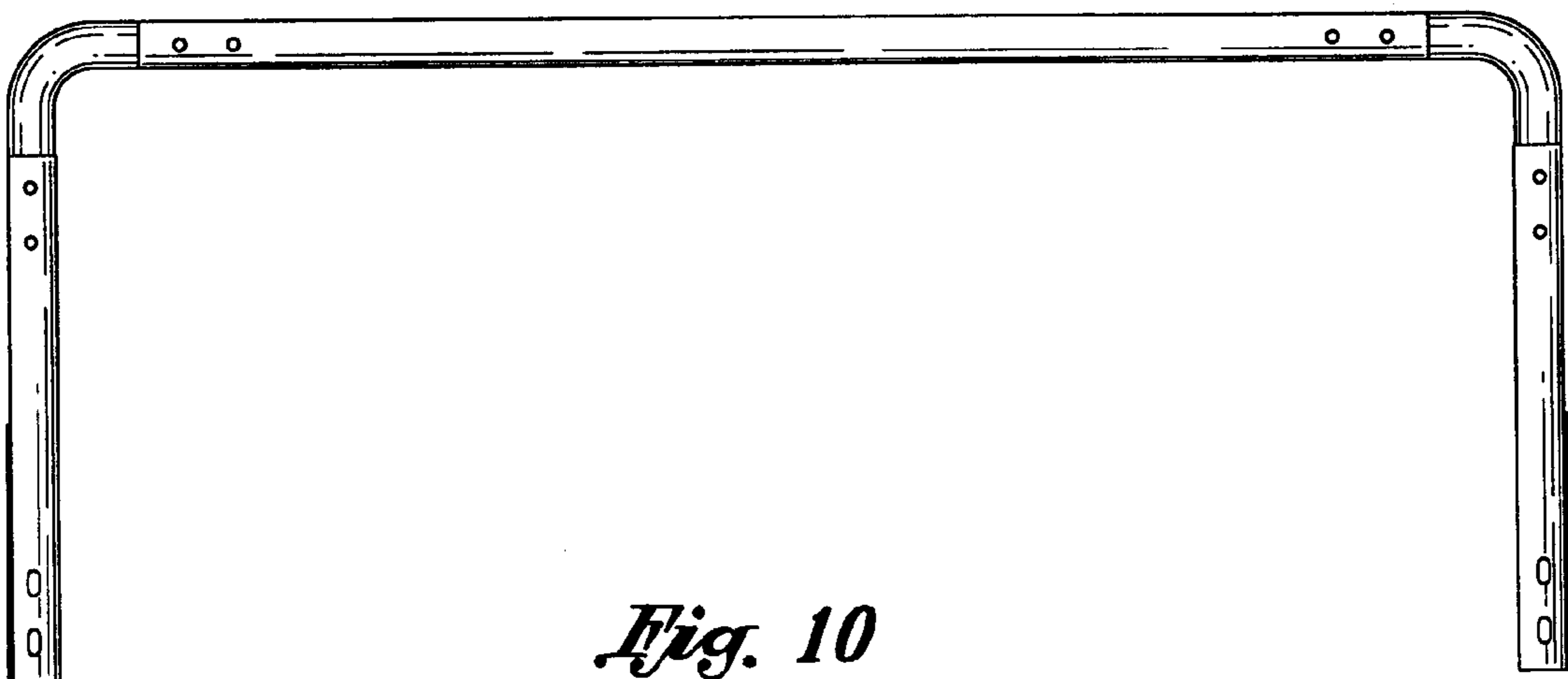


Fig. 10

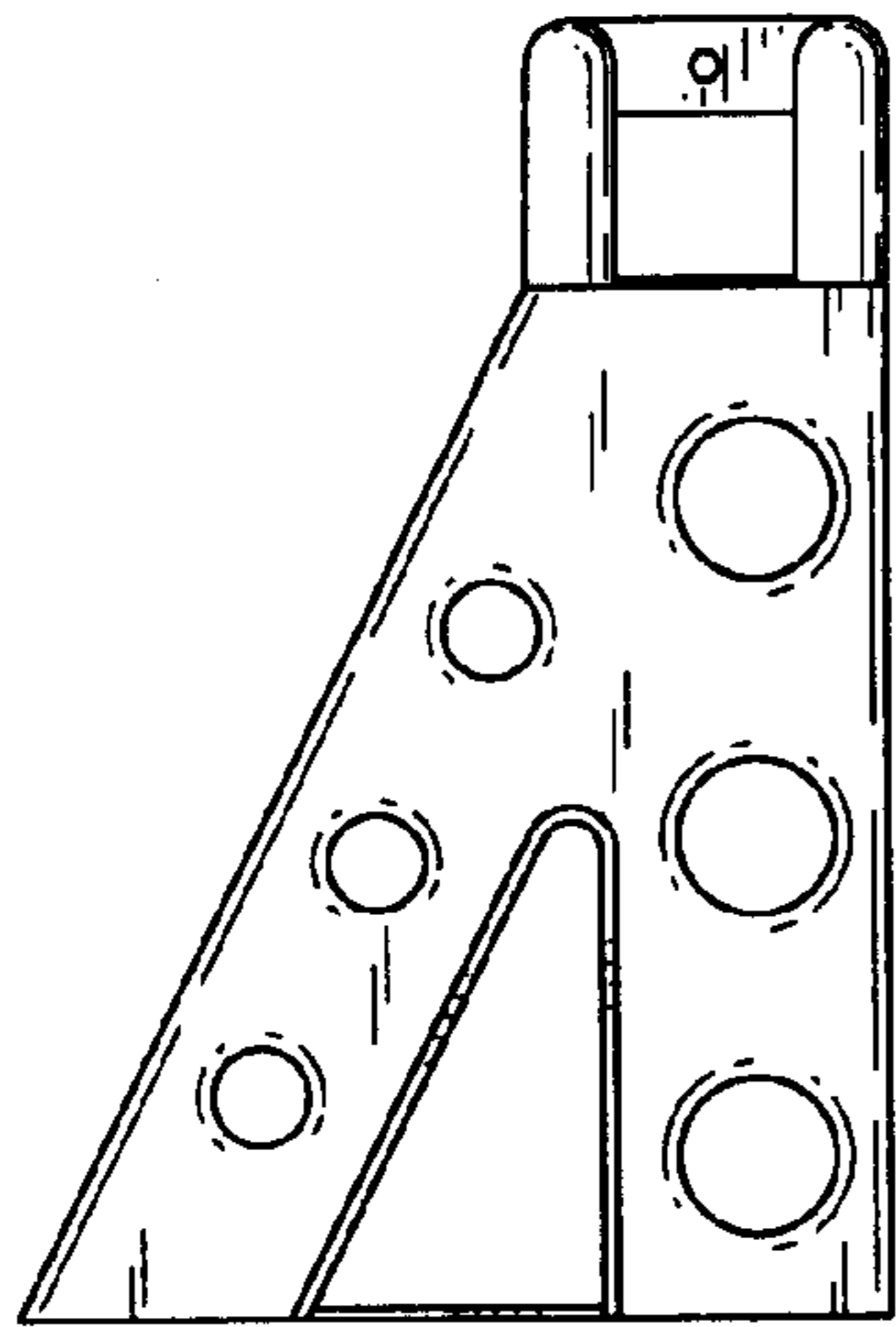


Fig. 11

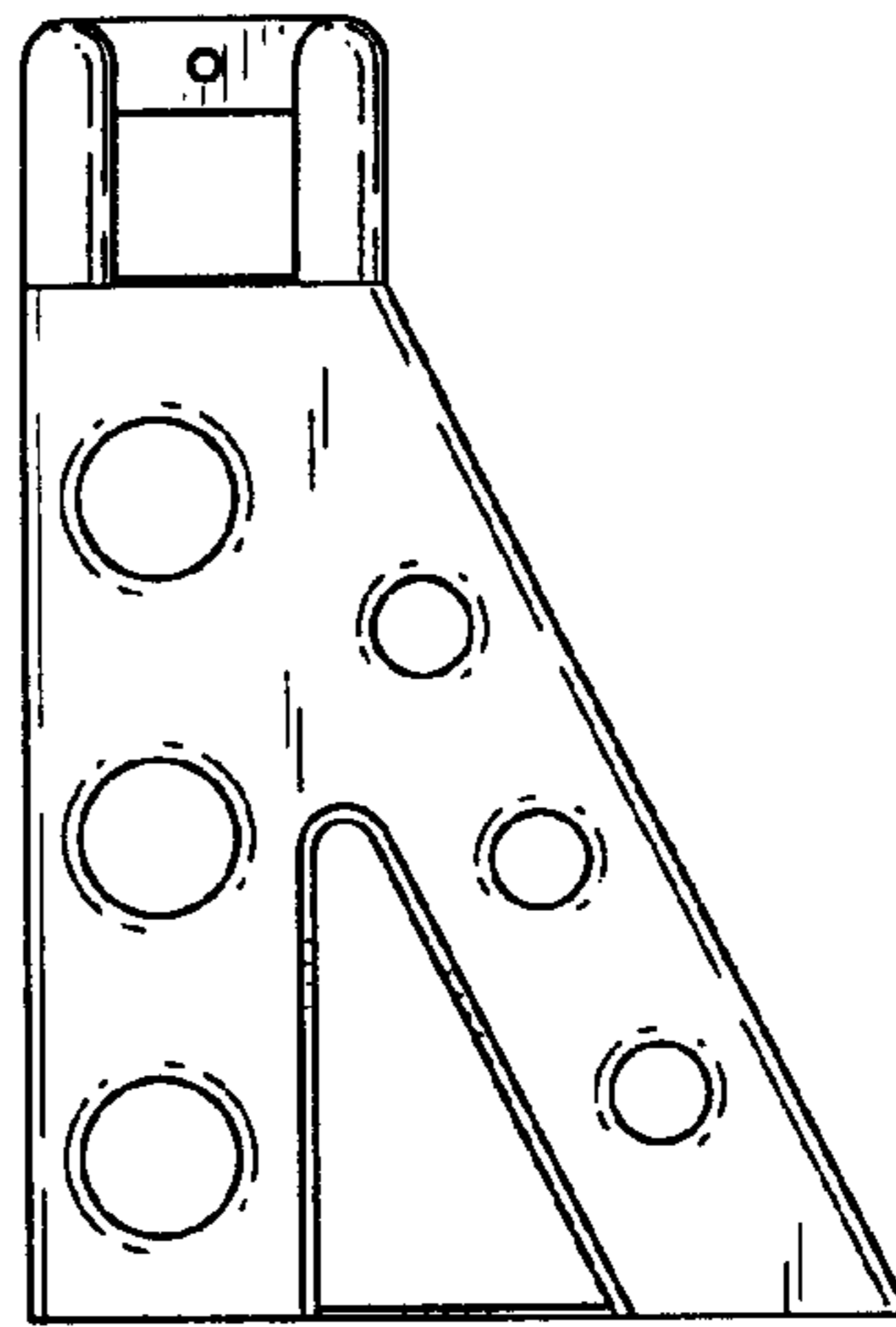


Fig. 12

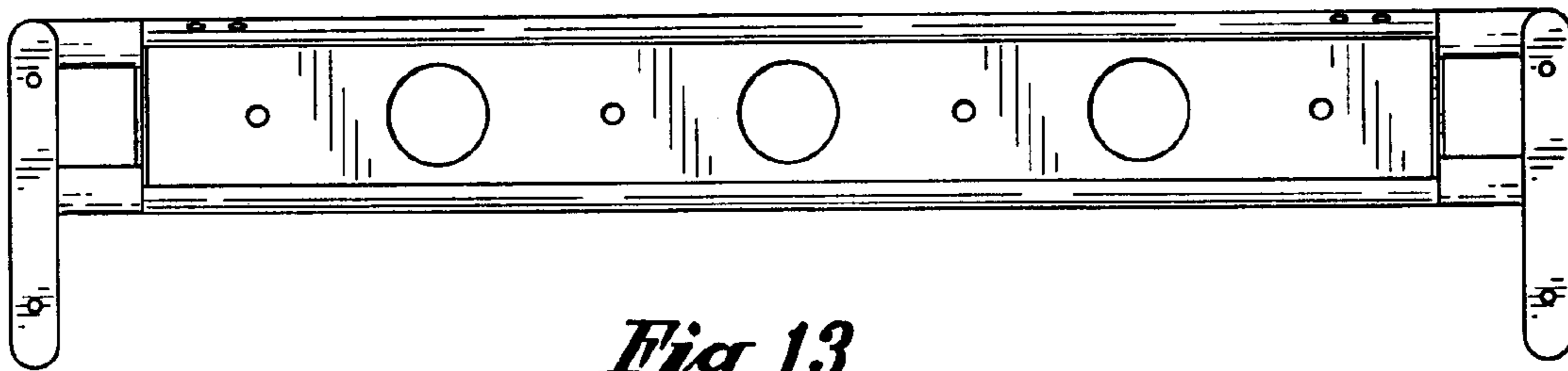


Fig. 13

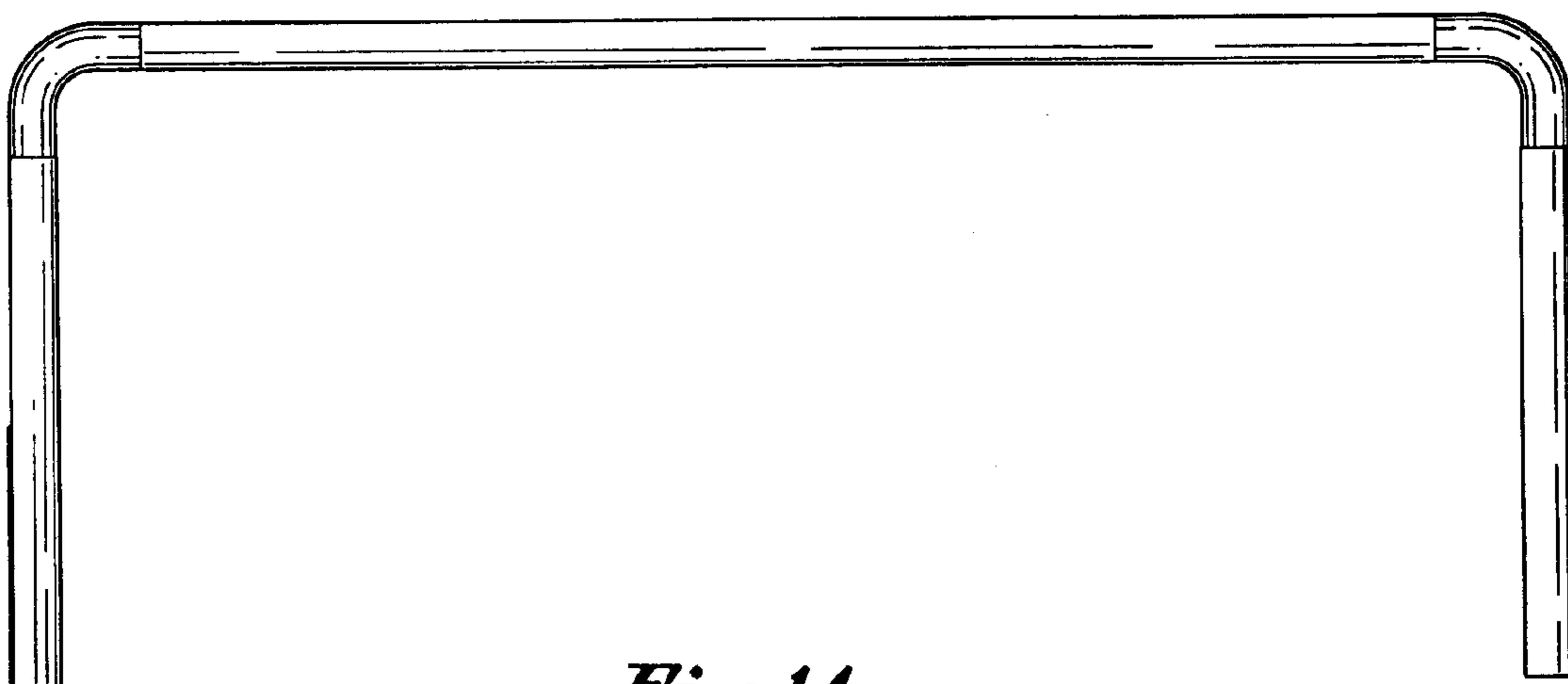


Fig. 14