



US00D528963S

(12) **United States Design Patent**  
**Horn**

(10) **Patent No.:** **US D528,963 S**

(45) **Date of Patent:** **\*\* Sep. 26, 2006**

(54) **PROTECTIVE COVERING FOR VEHICLE RIMS AND HUBCAPS**

(76) **Inventor:** **Richard T. Horn**, 5726 Soledad Cyn Rd., Acton, CA (US) 93510

(\*\*) **Term:** **14 Years**

(21) **Appl. No.:** **29/244,139**

(22) **Filed:** **Dec. 7, 2005**

(51) **LOC (8) Cl.** ..... **12-16**

(52) **U.S. Cl.** ..... **D12/213**

(58) **Field of Classification Search** ..... D12/213;  
294/131; D7/387, 358, 391-392.1; 301/108.1-108.5,  
301/37.103, 37.101, 37.21, 37.39, 37.31,  
301/37.42, 37.104; 15/257.01; 118/505; 220/908,  
220/912; D8/300, 311, 315, DIG. 1  
See application file for complete search history.

(56) **References Cited**

**U.S. PATENT DOCUMENTS**

4,784,440	A	11/1988	Fair	
4,811,991	A	* 3/1989	Moreno et al.	301/37.103
4,874,206	A	10/1989	Sampson	
D305,635	S	* 1/1990	Pope	D12/213
4,955,670	A	* 9/1990	Koller	301/37.31
D336,460	S	* 6/1993	Marquez	D12/213
5,423,599	A	6/1995	Sherod et al.	
5,435,630	A	7/1995	Tucker	
D377,162	S	* 1/1997	Maynard	D12/213
D379,172	S	* 5/1997	Hale	D12/213

D387,725	S	12/1997	Cochran et al.	
D390,181	S	* 2/1998	Morrison	D12/213
D402,614	S	* 12/1998	Martinez	D12/213
D427,846	S	* 7/2000	Hajwanie	D7/391
6,179,387	B1	1/2001	Nasset, Sr. et al.	
D486,438	S	* 2/2004	Tuck et al.	D12/213
6,692,085	B1	* 2/2004	Threadgill	301/37.103
D491,874	S	* 6/2004	Cook	D12/213
6,863,353	B1	* 3/2005	Buckner	301/37.103
6,871,914	B1	* 3/2005	Stewart, Jr.	301/37.104
D504,652	S	* 5/2005	Woodberry	D12/213

\* cited by examiner

*Primary Examiner*—Stacia Cadmus

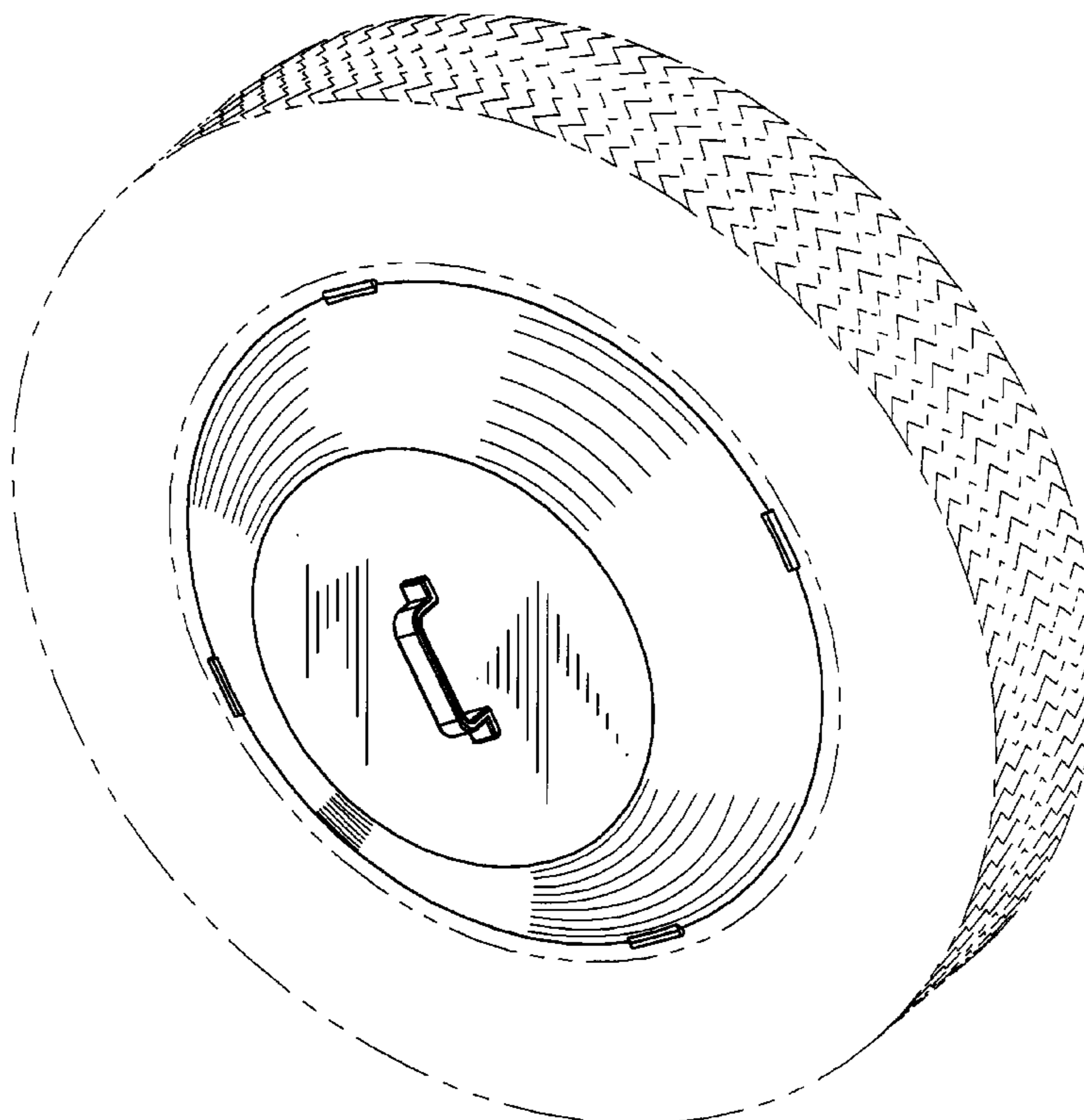
(57) **CLAIM**

The ornamental design for a protective covering for vehicle rims and hubcaps, as shown and described.

**DESCRIPTION**

FIG. 1 is a front elevational view of a protective covering for vehicle rims and hubcaps showing my new design; FIG. 2 is a rear elevational view thereof; FIG. 3 is a top plan view thereof; FIG. 4 is a side elevational thereof; FIG. 5 is a perspective view thereof; and, FIG. 6 is a perspective view showing the present invention attached to an existing vehicle hubcap. The broken line showing of environment is for illustrative purposes only and forms no part of the claimed design.

**1 Claim, 3 Drawing Sheets**



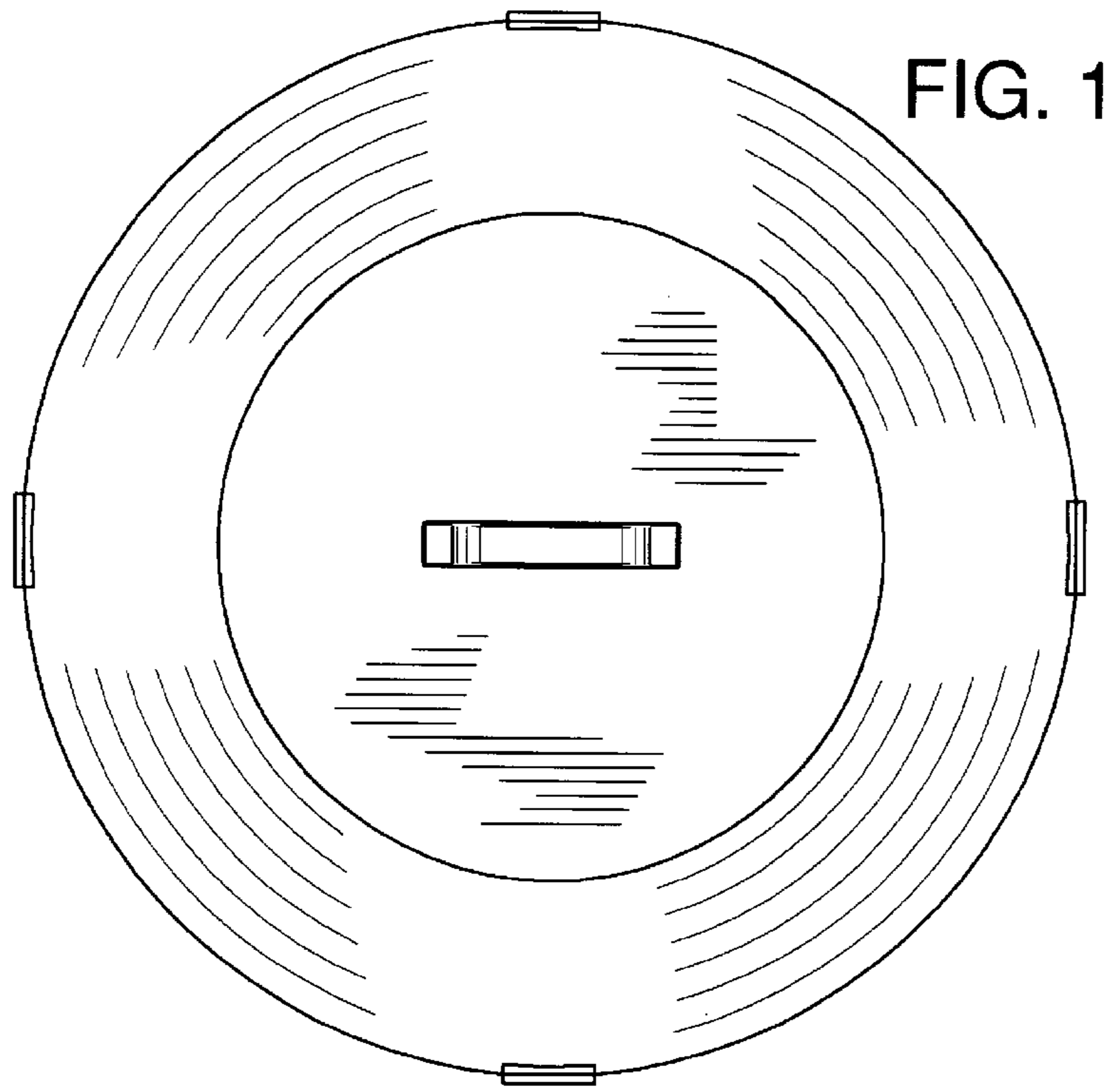


FIG. 1

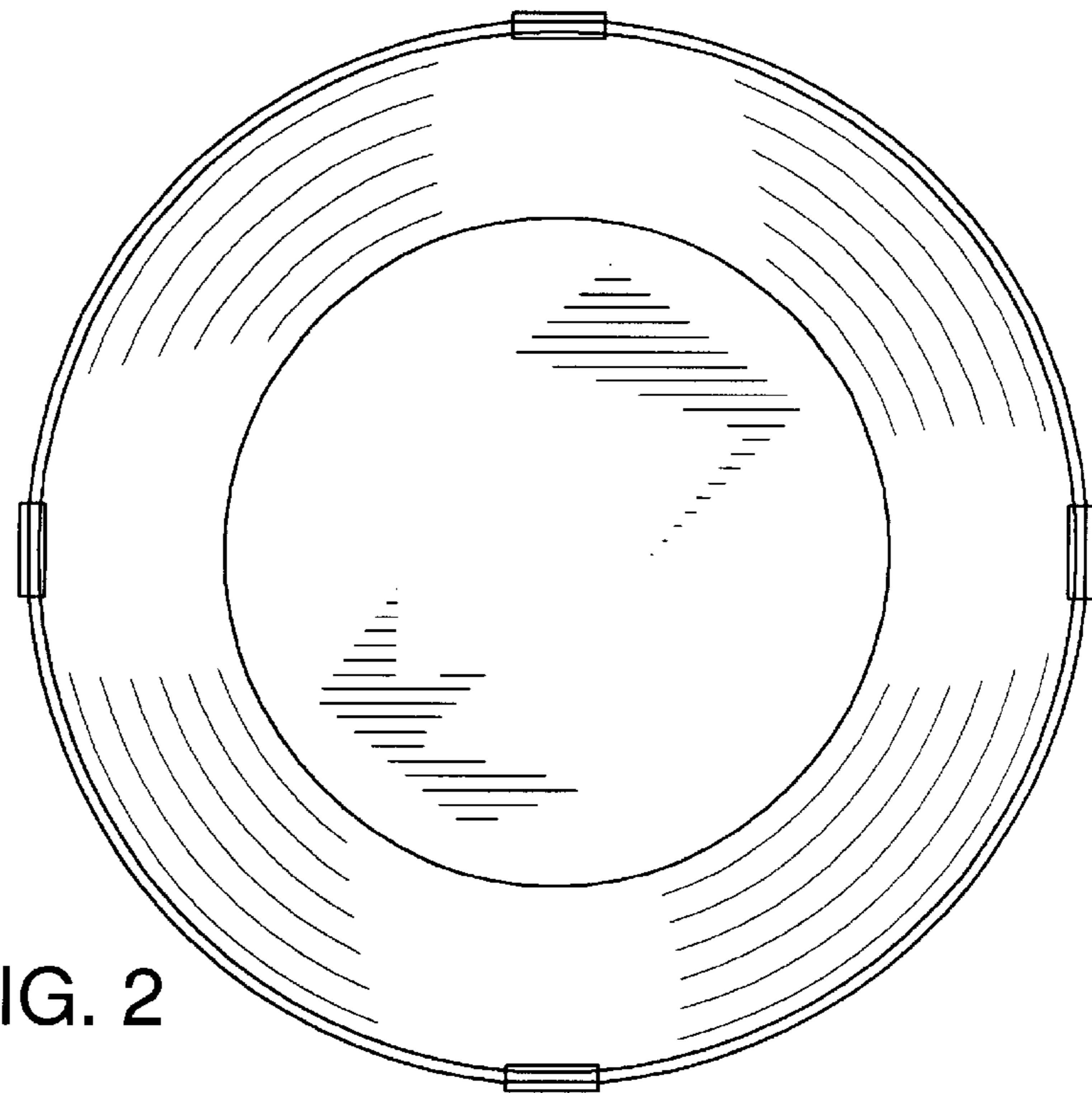


FIG. 2

FIG. 3

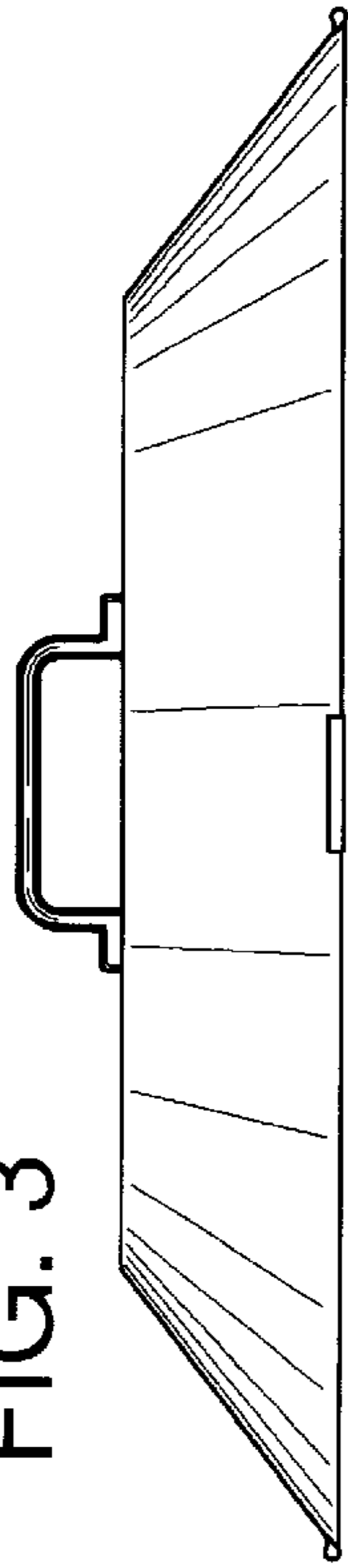


FIG. 4

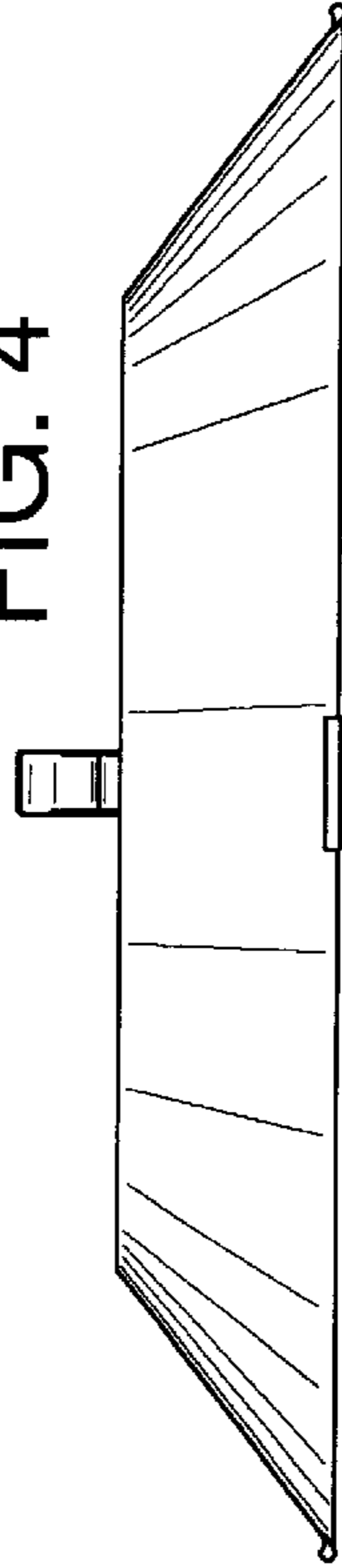
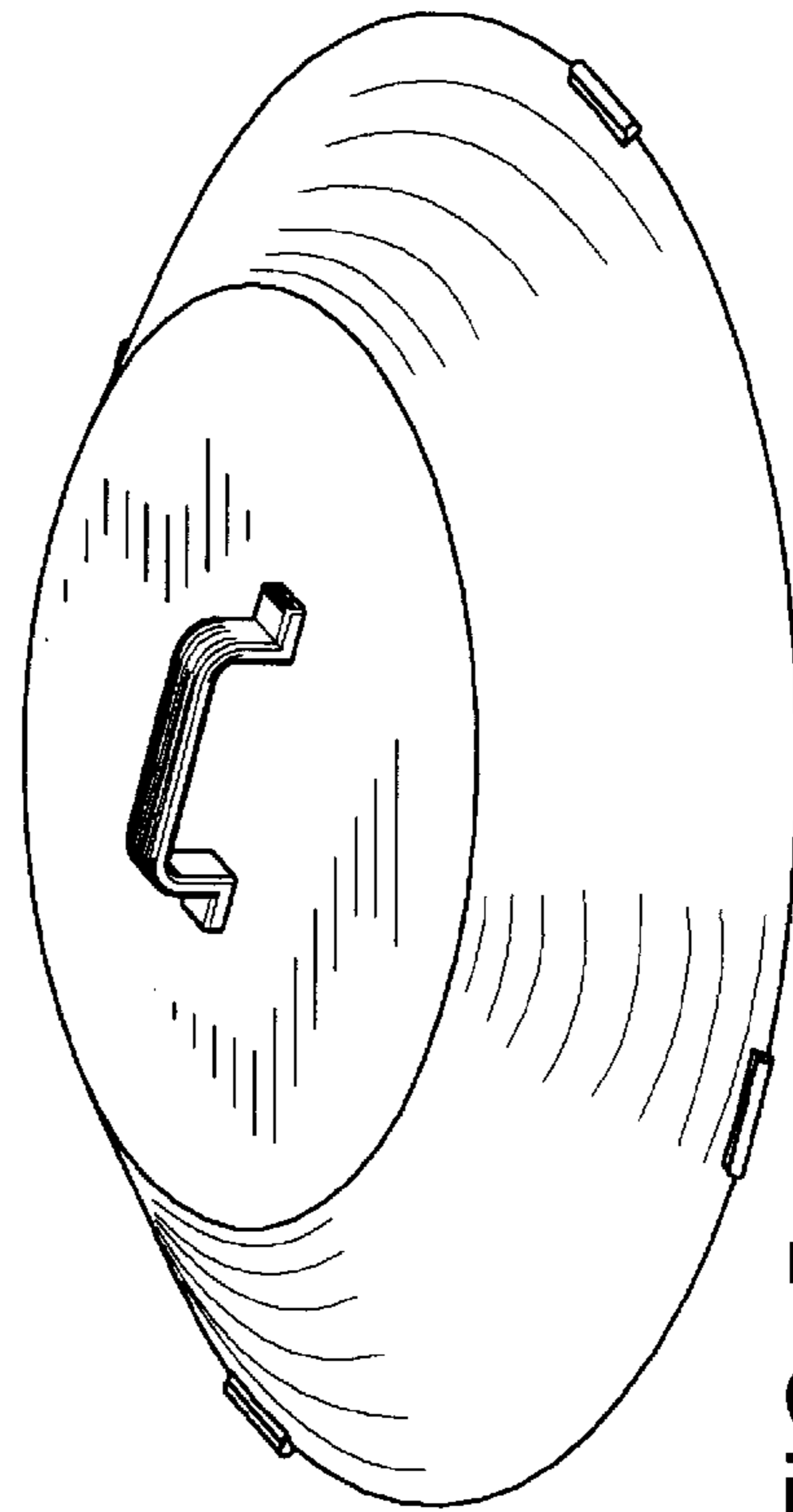


FIG. 5



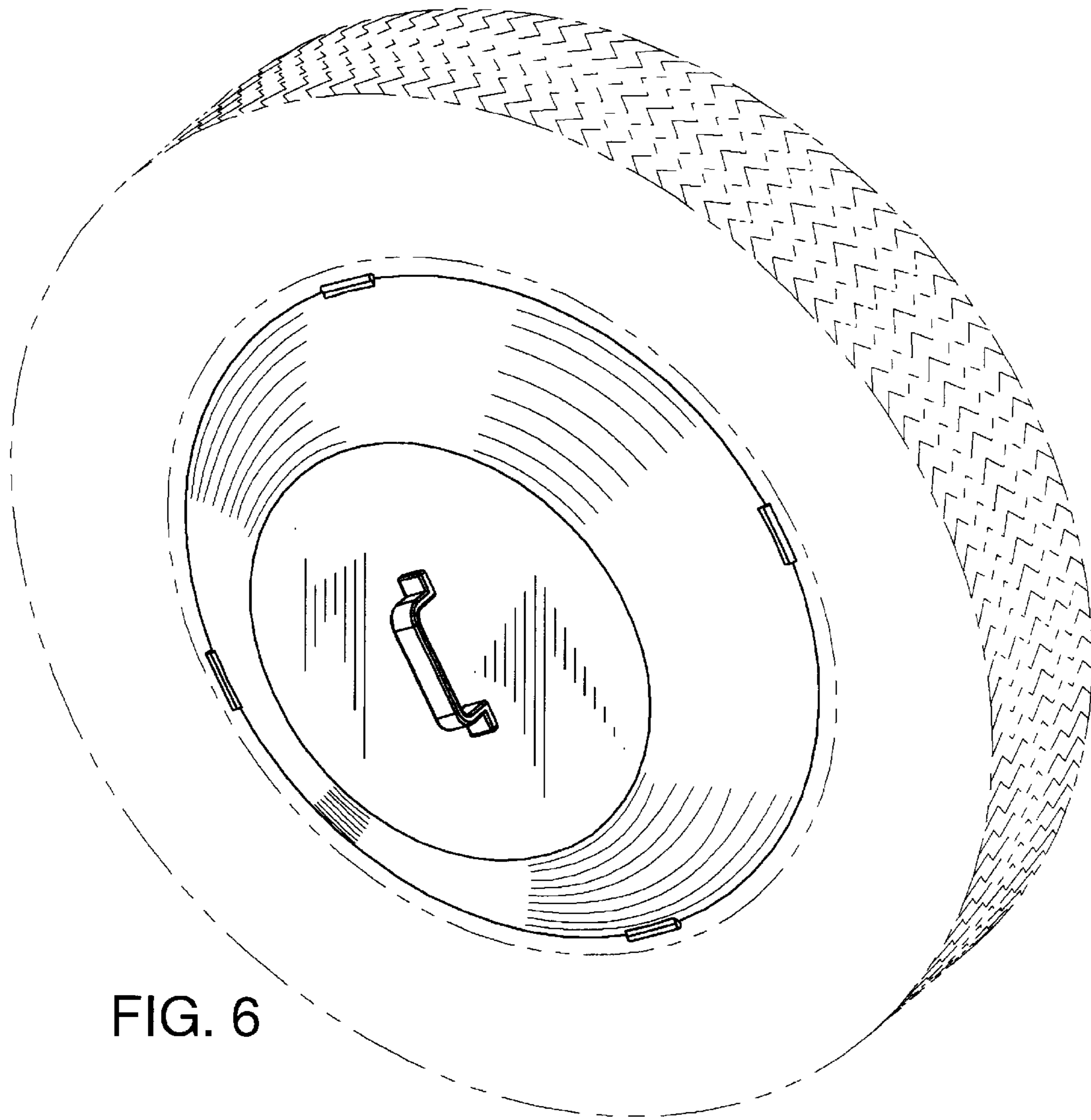


FIG. 6