



US00D528962S

(12) **United States Design Patent**  
**Blasi**

(10) **Patent No.:** **US D528,962 S**

(45) **Date of Patent:** **\*\* Sep. 26, 2006**

(54) **FRONT FACE OF A VEHICLE WHEEL**

(75) Inventor: **Juliane Blasi**, Munich (DE)

(73) Assignee: **Bayerische Motoren Werke Aktiengesellschaft**, Munich (DE)

(\*\*) Term: **14 Years**

(21) Appl. No.: **29/242,309**

(22) Filed: **Nov. 9, 2005**

(30) **Foreign Application Priority Data**

May 11, 2005 (DE) ..... 40502549

(51) **LOC (8) Cl.** ..... **12-16**

(52) **U.S. Cl.** ..... **D12/211**

(58) **Field of Classification Search** ..... D12/204-213;  
301/37.101, 64.101, 65

See application file for complete search history.

(56) **References Cited**

**U.S. PATENT DOCUMENTS**

D414,454 S \* 9/1999 Chung ..... D12/211  
D457,119 S \* 5/2002 Braun et al. .... D12/211  
D471,144 S \* 3/2003 Pfeiffer ..... D12/209

D473,836 S \* 4/2003 Laengerer ..... D12/211  
D504,101 S \* 4/2005 Pfeiffer ..... D12/211  
D504,382 S \* 4/2005 Elmitt ..... D12/211  
D504,647 S \* 5/2005 Leclercq ..... D12/209  
D506,967 S \* 7/2005 Kamimura ..... D12/211  
D507,224 S \* 7/2005 Pfeiffer ..... D12/211  
D507,775 S \* 7/2005 Pfeiffer ..... D12/211  
D513,489 S \* 1/2006 Momokawa ..... D12/211  
D514,999 S \* 2/2006 Boyer ..... D12/209  
D519,072 S \* 4/2006 Komuro ..... D12/209

\* cited by examiner

*Primary Examiner*—Stacia Cadmus

(74) *Attorney, Agent, or Firm*—Crowell & Moring LLP

(57) **CLAIM**

The ornamental design for a front face of a vehicle wheel, as shown and described.

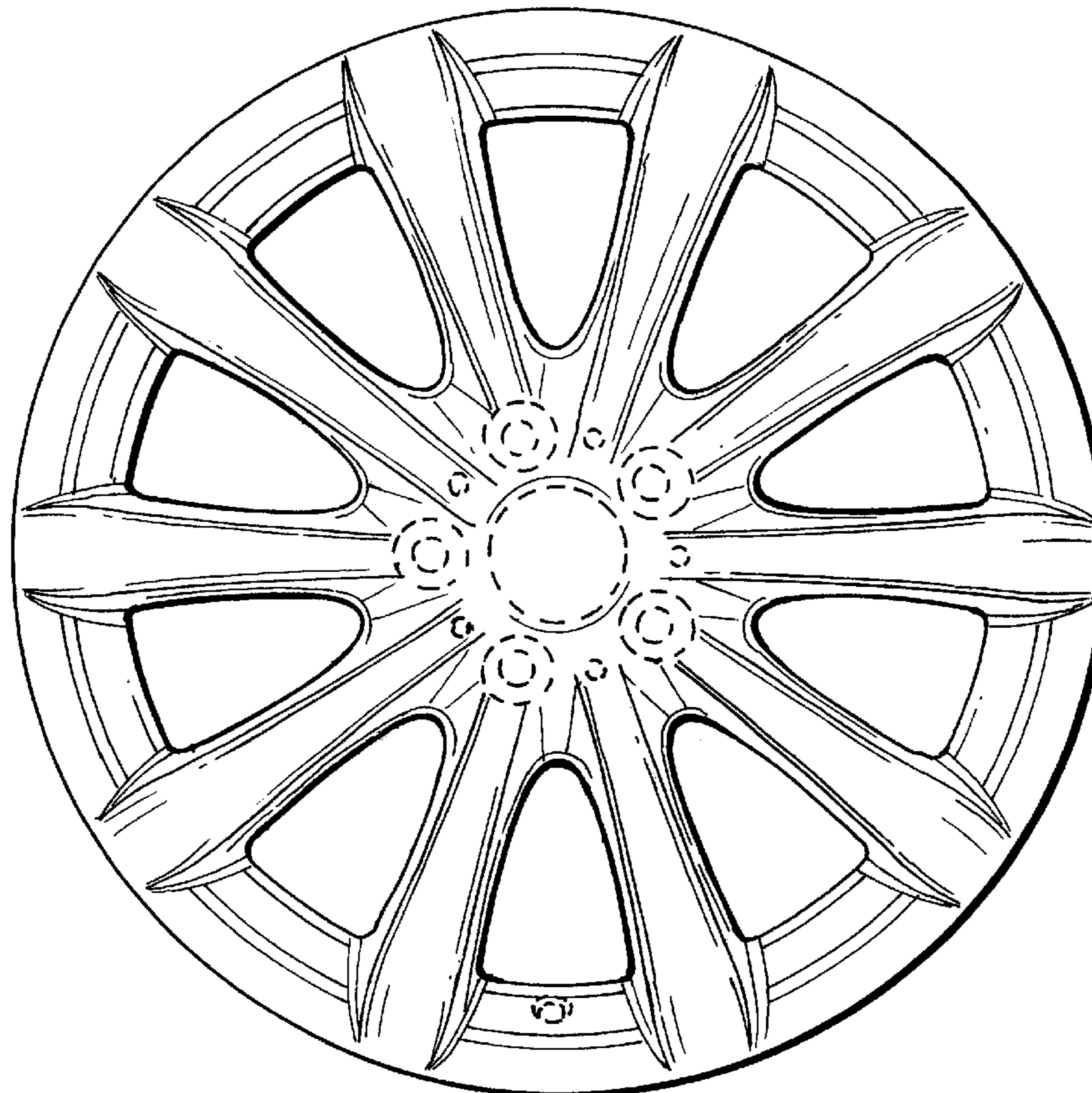
**DESCRIPTION**

FIG. 1 is a front view of a front face of a vehicle wheel according to my novel design; and,

FIG. 2 is a perspective view thereof.

The broken lines are for illustrative purposes only and form no part of the claimed design.

**1 Claim, 1 Drawing Sheet**



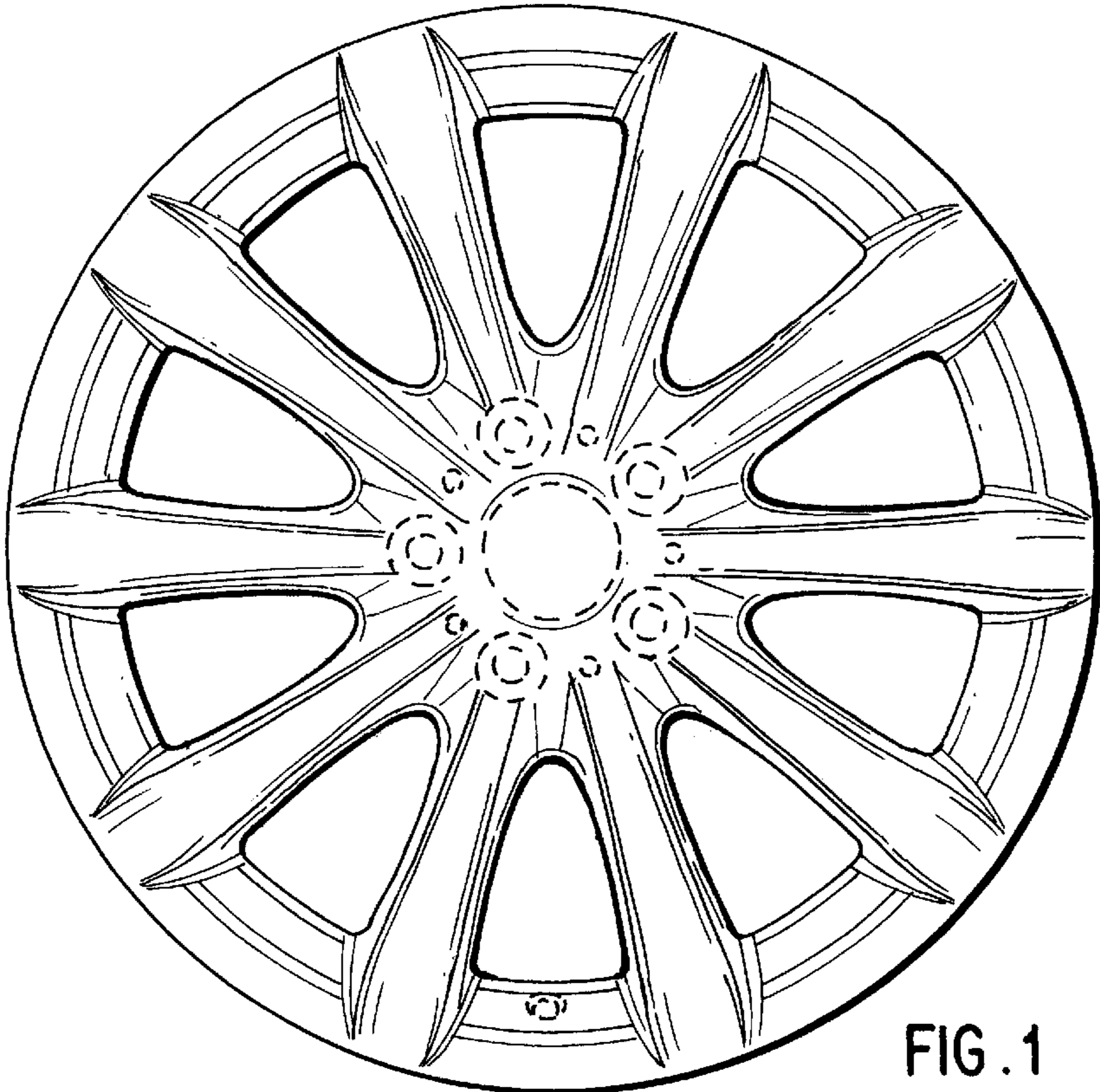


FIG. 1

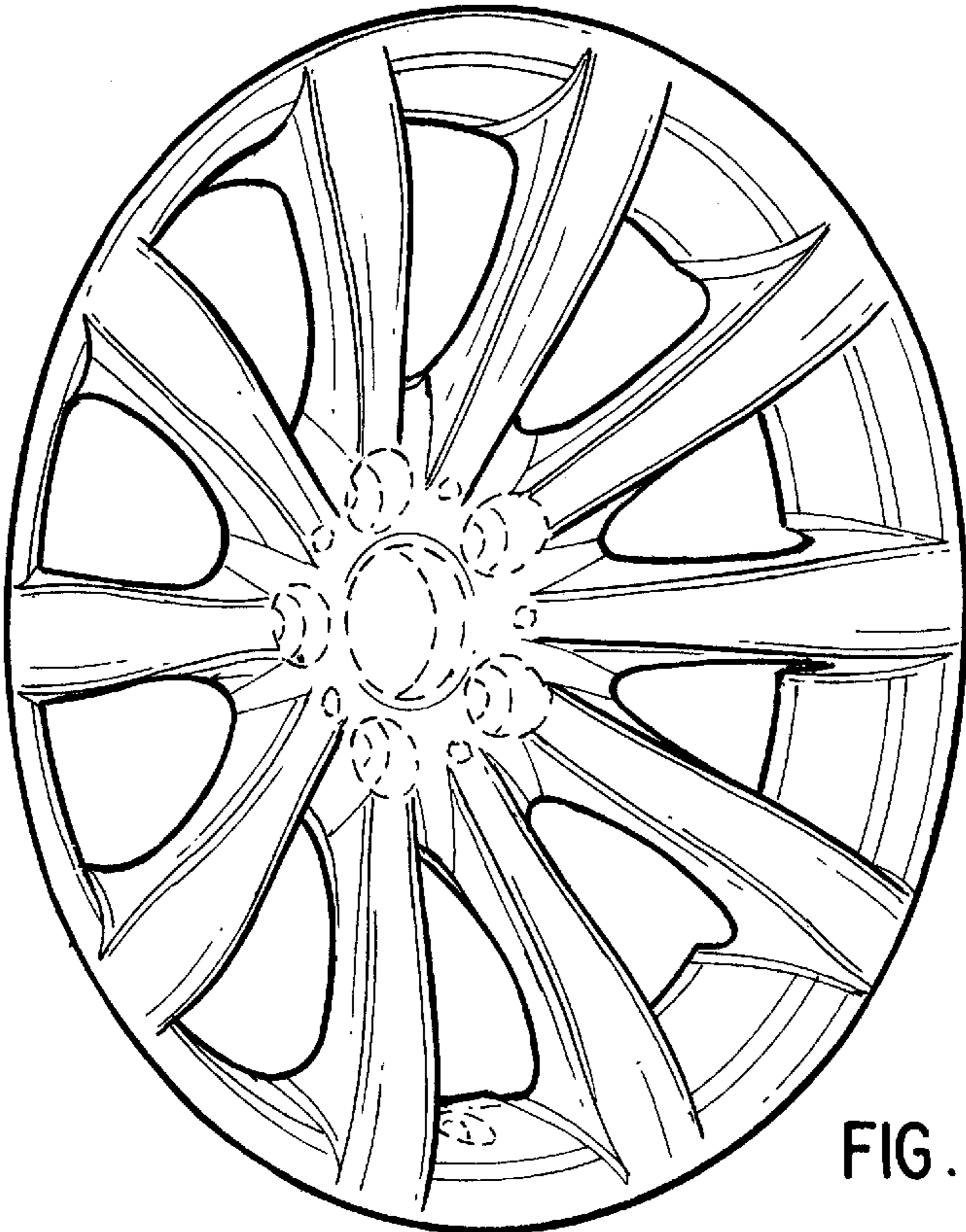


FIG. 2