

US00D528959S

(12) **United States Design Patent**  
**Sycha**

(10) **Patent No.:** **US D528,959 S**

(45) **Date of Patent:** **\*\* Sep. 26, 2006**

(54) **FRONT FACE OF A VEHICLE WHEEL**

(75) Inventor: **Thomas Peter Sycha**, Munich (DE)

(73) Assignee: **Bayerische Motoren Werke Aktiengesellschaft**, Munich (DE)

(\*\*) Term: **14 Years**

(21) Appl. No.: **29/255,186**

(22) Filed: **Mar. 7, 2006**

(30) **Foreign Application Priority Data**

Sep. 8, 2005 (DE) ..... 40504705

(51) **LOC (8) Cl.** ..... **12-16**

(52) **U.S. Cl.** ..... **D12/209**

(58) **Field of Classification Search** ..... D12/204-213;  
301/37.101, 64.101, 65

See application file for complete search history.

(56) **References Cited**

**U.S. PATENT DOCUMENTS**

D392,611 S \* 3/1998 Echazabal et al. .... D12/211

D447,993 S \* 9/2001 Neeper ..... D12/211

D456,333 S \* 4/2002 Pollmann ..... D12/211  
D466,854 S \* 12/2002 Kern ..... D12/211  
D475,337 S \* 6/2003 Kataoka ..... D12/209  
D494,917 S \* 8/2004 Pollmann ..... D12/211  
D505,650 S \* 5/2005 Tirado ..... D12/209  
D508,884 S \* 8/2005 Fridie ..... D12/209  
D513,727 S \* 1/2006 Gallert ..... D12/211  
D516,001 S \* 2/2006 Tirado ..... D12/209  
D519,436 S \* 4/2006 Chen ..... D12/211

\* cited by examiner

*Primary Examiner*—Stacia Cadmus

(74) *Attorney, Agent, or Firm*—Crowell & Moring LLP

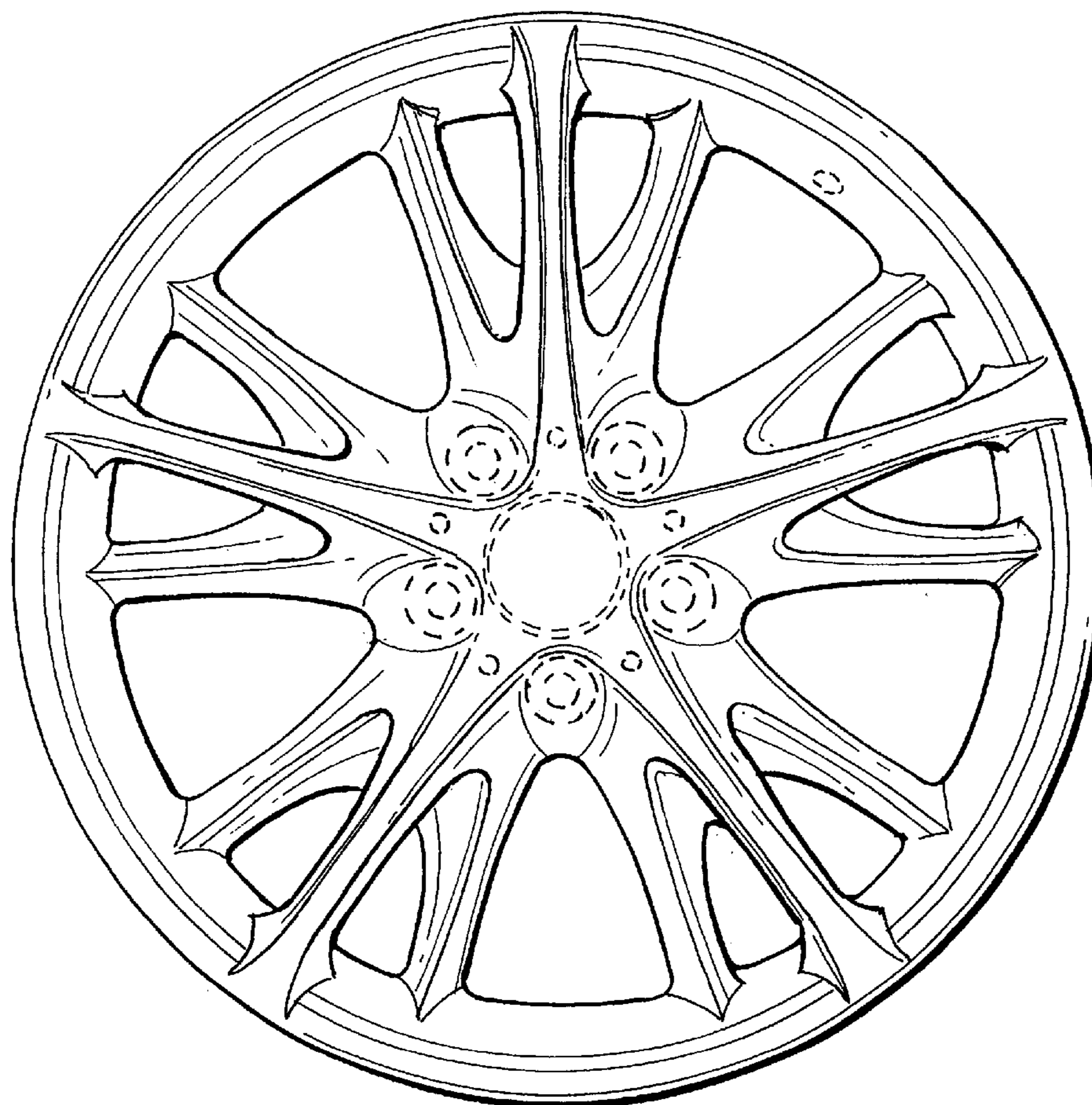
(57) **CLAIM**

The ornamental design for a front face of a vehicle wheel, as shown and described.

**DESCRIPTION**

FIG. 1 is a front view of a front face of a vehicle wheel according to my novel design; and, FIG. 2 is a perspective view thereof. The broken lines are for illustrative purposes only and form no part of the claimed design.

**1 Claim, 1 Drawing Sheet**



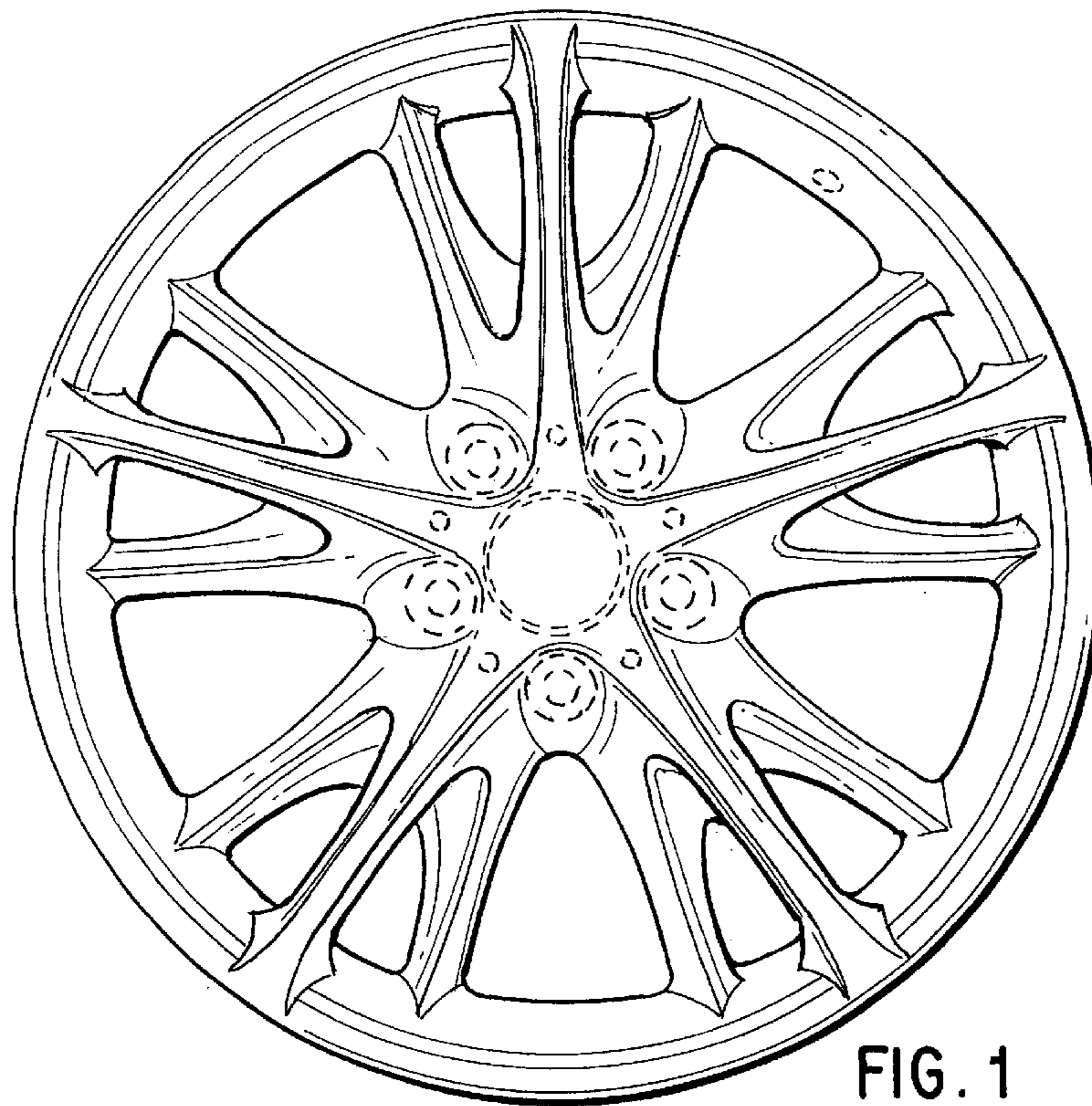


FIG. 1

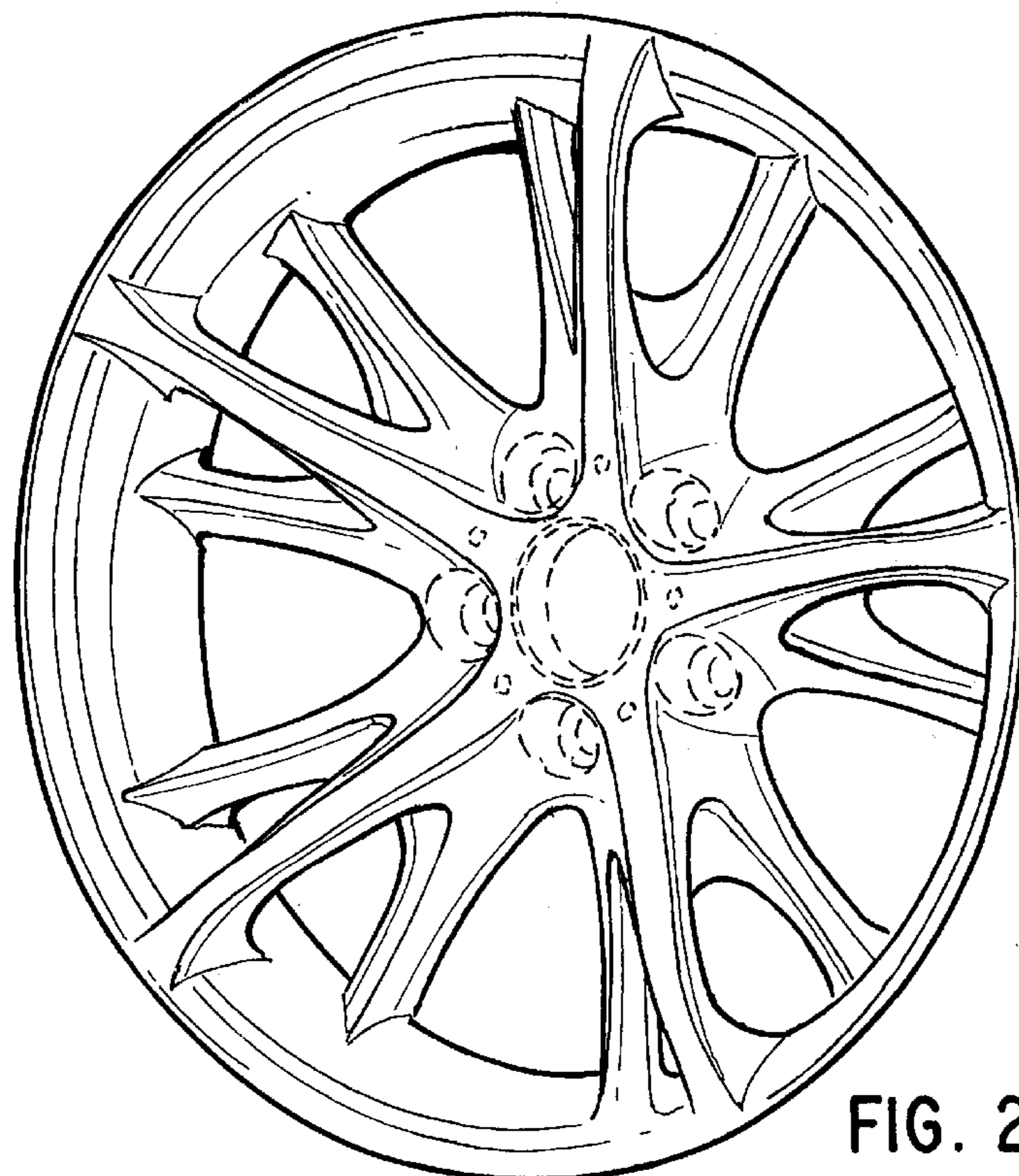


FIG. 2