

US00D528957S

(12) **United States Design Patent**  
**Kim**

(10) **Patent No.:** **US D528,957 S**

(45) **Date of Patent:** **\*\* Sep. 26, 2006**

(54) **FRONT FACE OF A VEHICLE WHEEL**

D432,481 S \* 10/2000 Brown ..... D12/209  
D447,107 S \* 8/2001 Kuribayashi ..... D12/211  
D471,504 S \* 3/2003 Laengerer ..... D12/211  
D489,033 S \* 4/2004 Lee ..... D12/211

(75) Inventor: **Gi Beom Kim**, Seoul (KR)

(73) Assignee: **Lion's Wheel Industrial Corp.**, Irvine, CA (US)

\* cited by examiner

(\*\*) Term: **14 Years**

*Primary Examiner*—Stacia Cadmus

(74) *Attorney, Agent, or Firm*—Blakely, Sokoloff, Taylor & Zafman LLP

(21) Appl. No.: **29/225,989**

(22) Filed: **Mar. 22, 2005**

(57) **CLAIM**

(51) **LOC (8) Cl.** ..... **12-16**

(52) **U.S. Cl.** ..... **D12/209**

(58) **Field of Classification Search** ..... D12/204–213;  
301/37.101, 64.101, 65

See application file for complete search history.

The ornamental design for a front face of a vehicle wheel, as shown and described.

**DESCRIPTION**

FIG. 1 is a perspective view of a front face of a vehicle wheel showing my new design; and, FIG. 2 is a front view thereof.

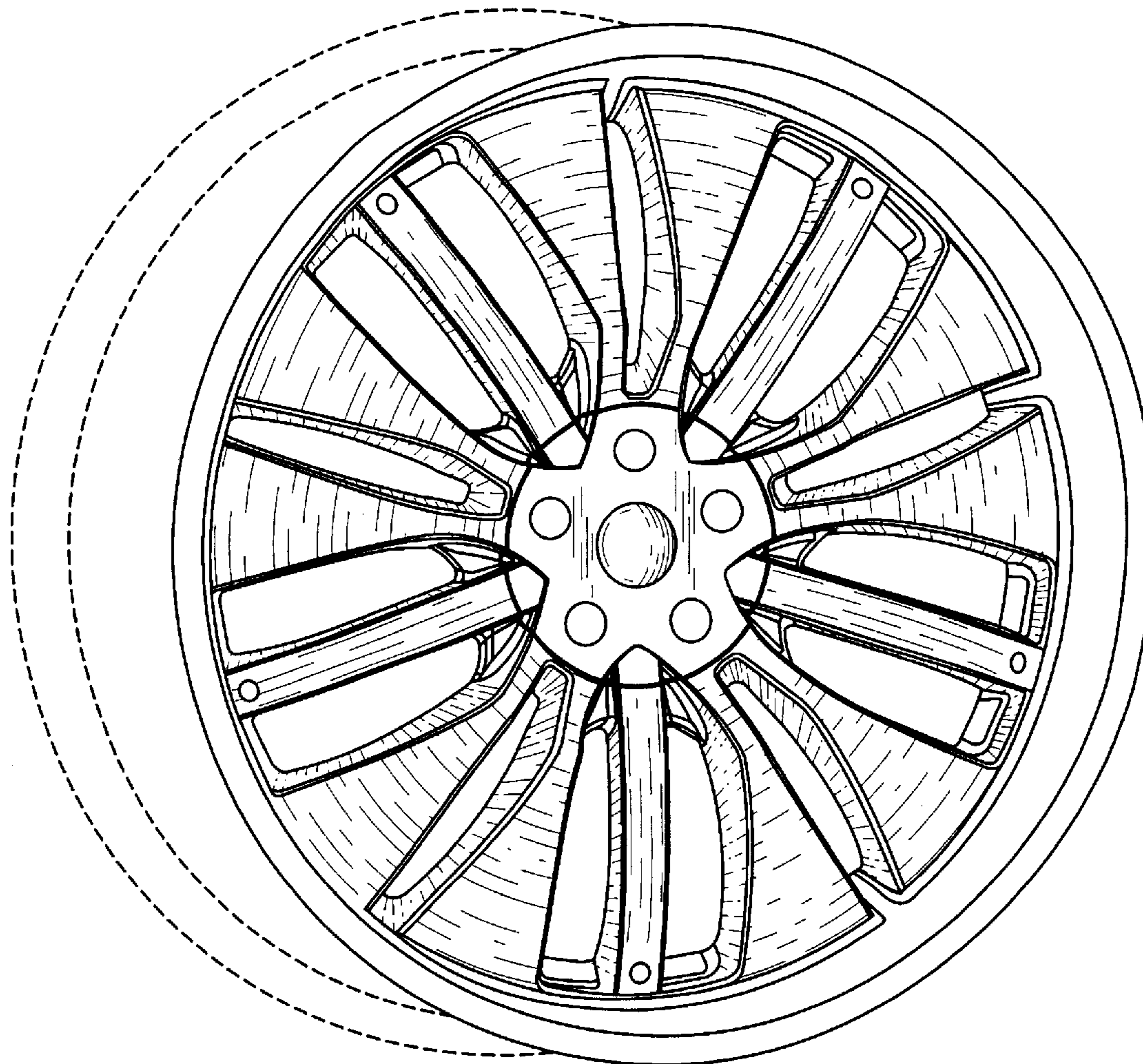
The broken line showing of environment is for illustrative purposes only and forms no part of the claimed design.

(56) **References Cited**

**U.S. PATENT DOCUMENTS**

D371,761 S \* 7/1996 Abbott ..... D12/209  
D432,071 S \* 10/2000 Brown ..... D12/211

**1 Claim, 2 Drawing Sheets**



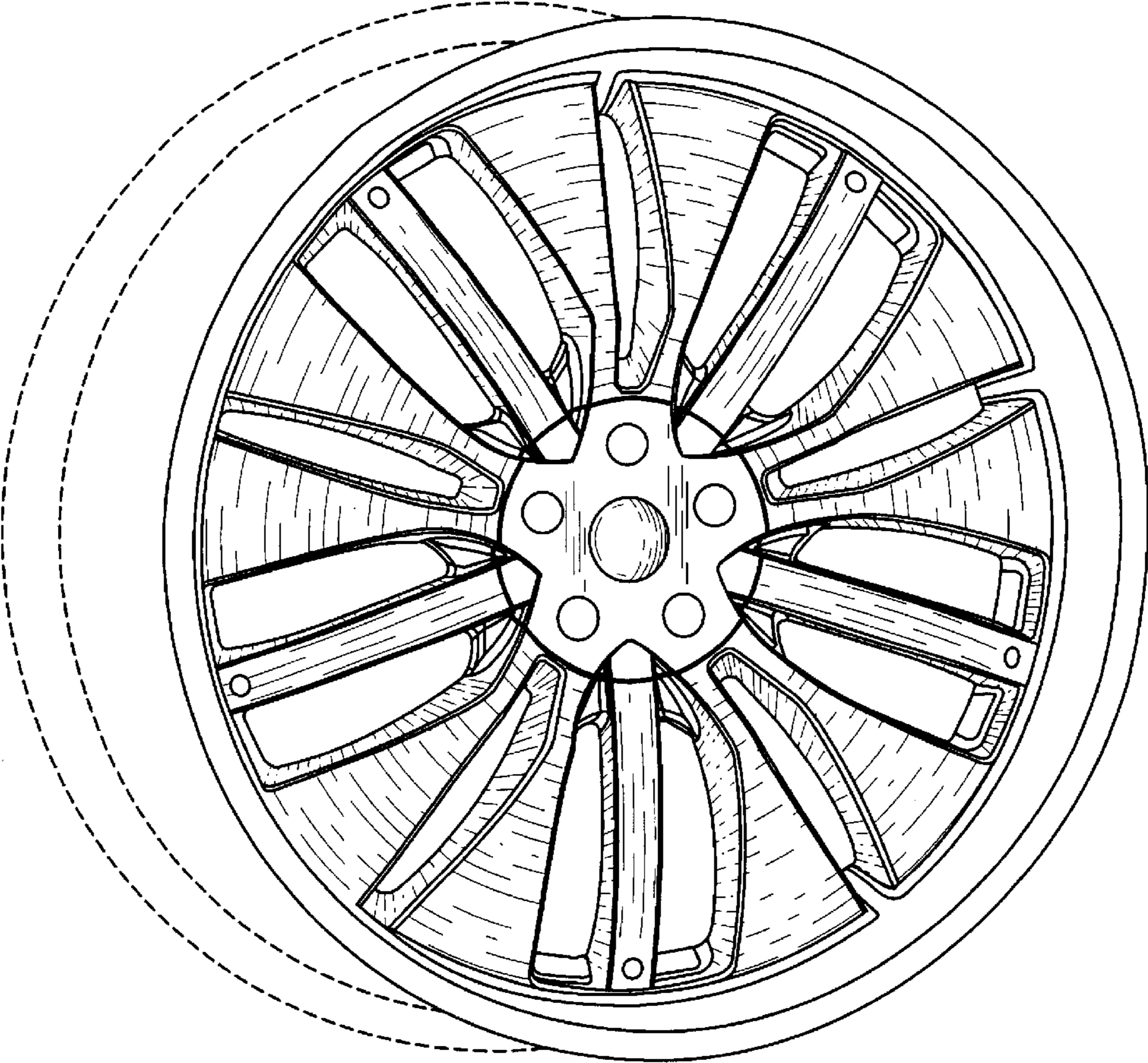
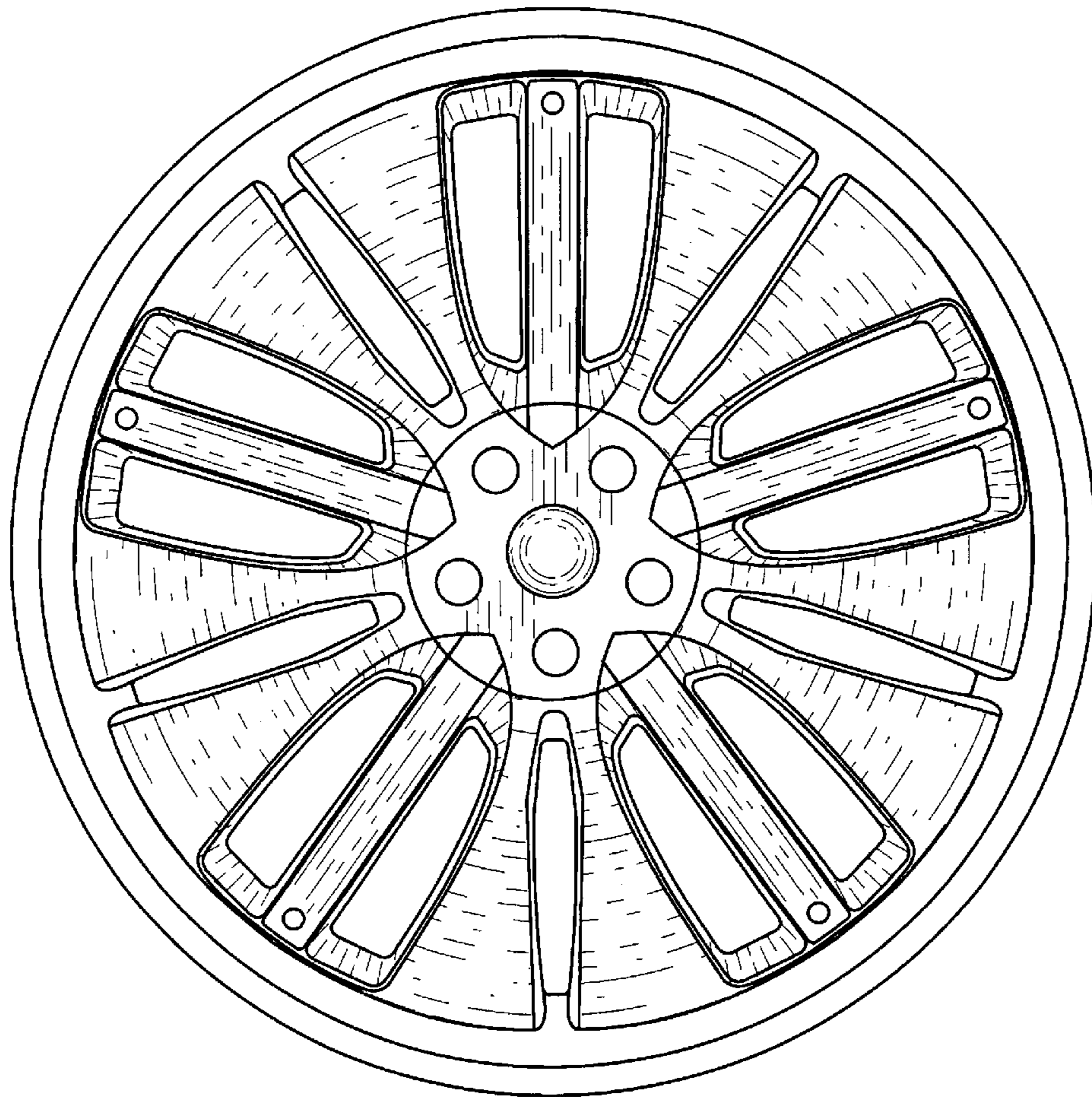


FIG. 1



**FIG. 2**