



US00D528953S

(12) **United States Design Patent** (10) **Patent No.:** **US D528,953 S**  
**Kellermann** (45) **Date of Patent:** **\*\* Sep. 26, 2006**

(54) **LICENSE PLATE HOLDER**

(75) Inventor: **Guido Kellermann**, Aachen (DE)

(73) Assignee: **Guido Kellerman Produktentwicklung & Handel**, Aachen (DE)

(\*\*) Term: **14 Years**

(21) Appl. No.: **29/228,986**

(22) Filed: **Apr. 29, 2005**

(30) **Foreign Application Priority Data**

Oct. 3, 2004	(DE)	.....	404 06 189
Mar. 1, 2005	(DE)	.....	405 01 244

(51) **LOC (8) Cl.** ..... **12-16**

(52) **U.S. Cl.** ..... **D12/193**

(58) **Field of Classification Search** ..... D12/110,  
D12/114, 184-186, 190, 193, 223; 280/152.1,  
280/152.2, 152.3, 304.3, 854, 847-852, 160.1,  
280/770; 293/1, 142, 473-476, 105; 362/473-476,  
362/549, 226, 487, 497; 40/154, 618, 200-204,  
40/207-216; 411/371; 340/134; D26/34

See application file for complete search history.

(56) **References Cited**

U.S. PATENT DOCUMENTS

6,099,151	A	*	8/2000	Tlustos	.....	362/473
2004/0079009	A1	*	4/2004	Arrua	.....	40/204
2004/0170024	A1	*	9/2004	Sheu et al.	.....	362/473

\* cited by examiner

*Primary Examiner*—Alan P. Douglas

*Assistant Examiner*—Linda Brooks

(74) *Attorney, Agent, or Firm*—Collard & Roe, P.C.

(57) **CLAIM**

The ornamental design for a license plate holder, as shown and described.

**DESCRIPTION**

FIG. 1 shows a top view of my design for a license plate holder;

FIG. 2 shows a bottom view thereof;

FIG. 3 shows a front view thereof;

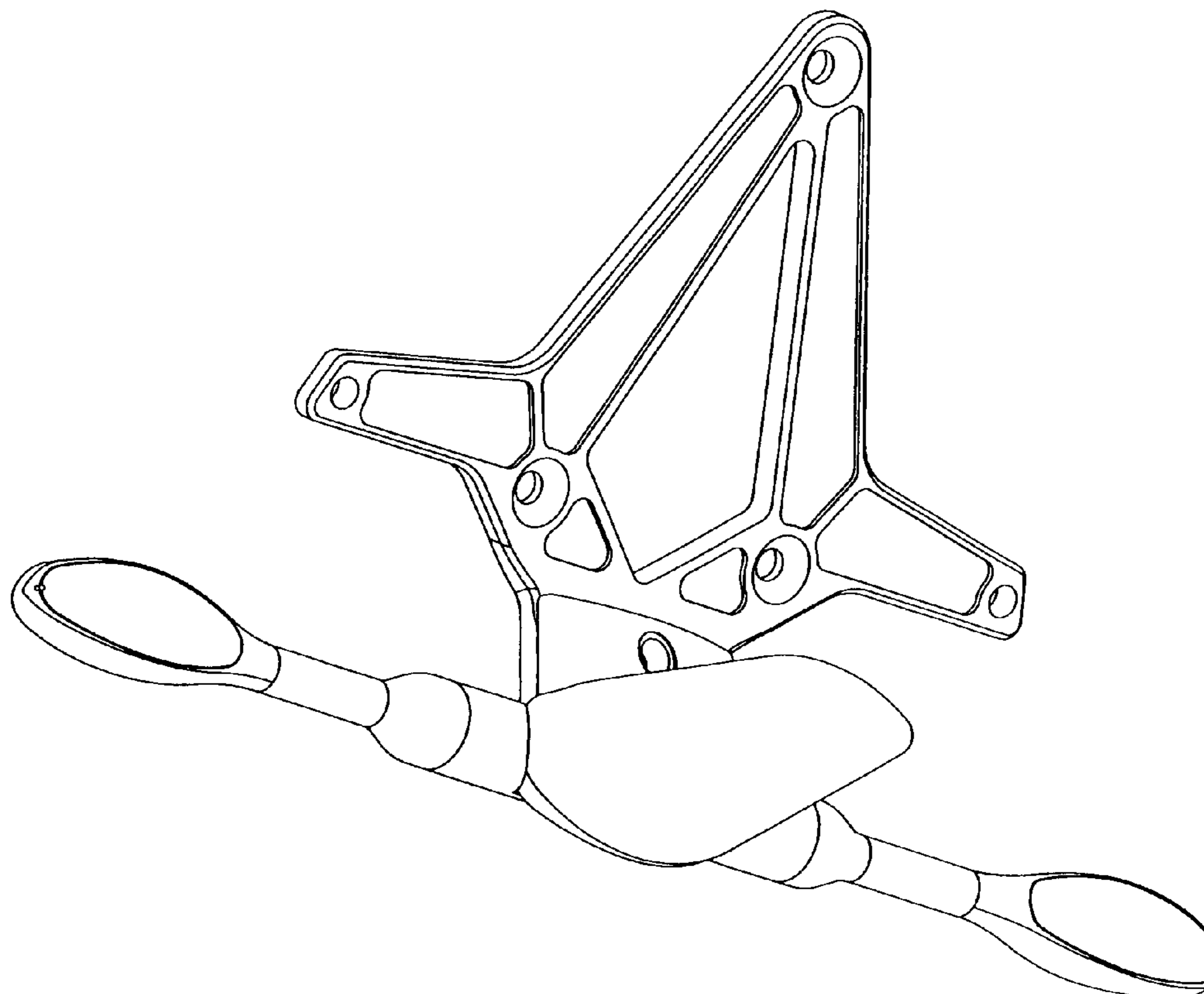
FIG. 4 shows a rear view thereof;

FIG. 5 shows a side view thereof;

FIG. 6 shows an opposite side view thereof; and,

FIG. 7 shows a perspective view thereof.

**1 Claim, 7 Drawing Sheets**



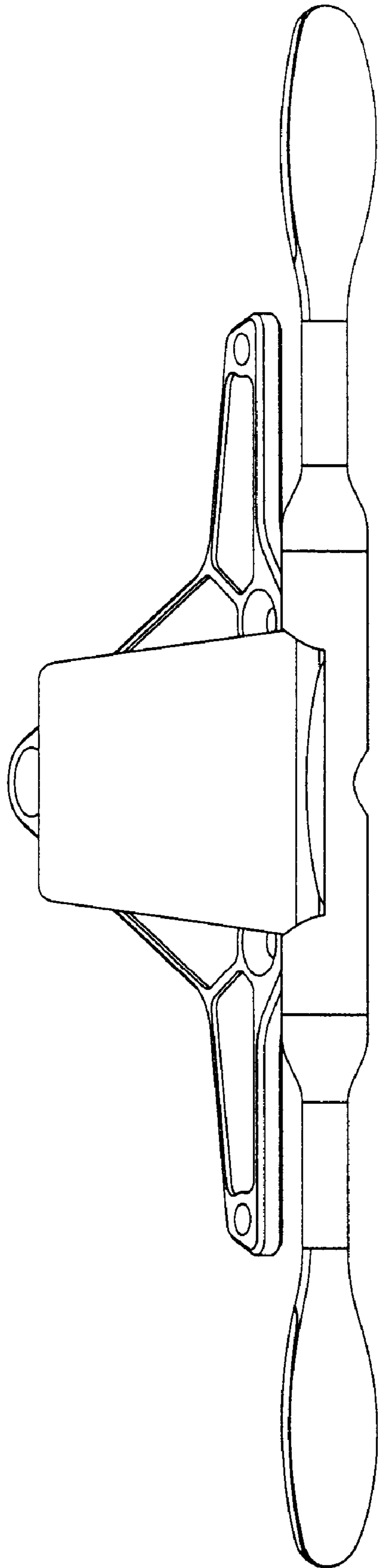


FIG. 1

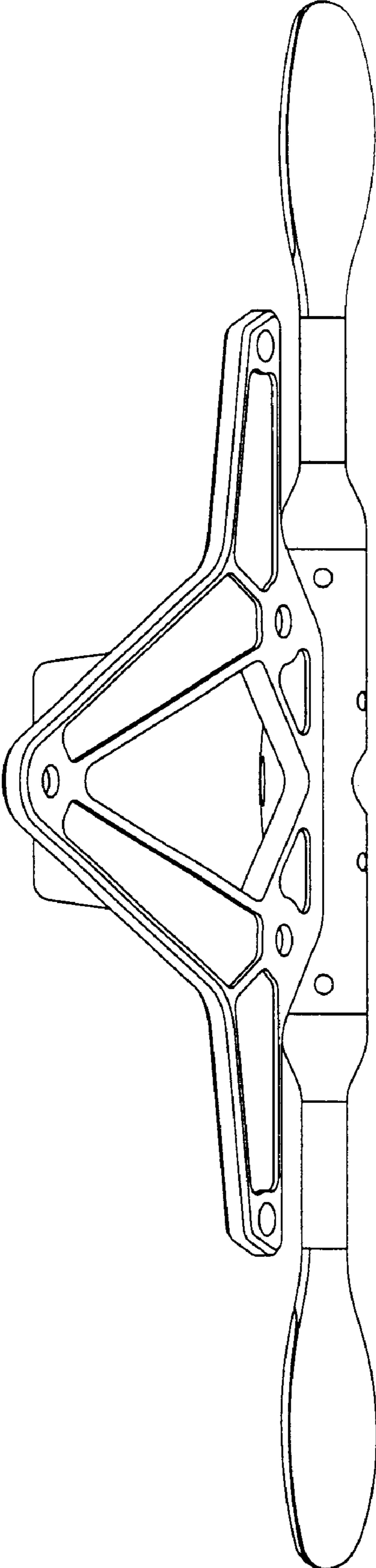


FIG. 2

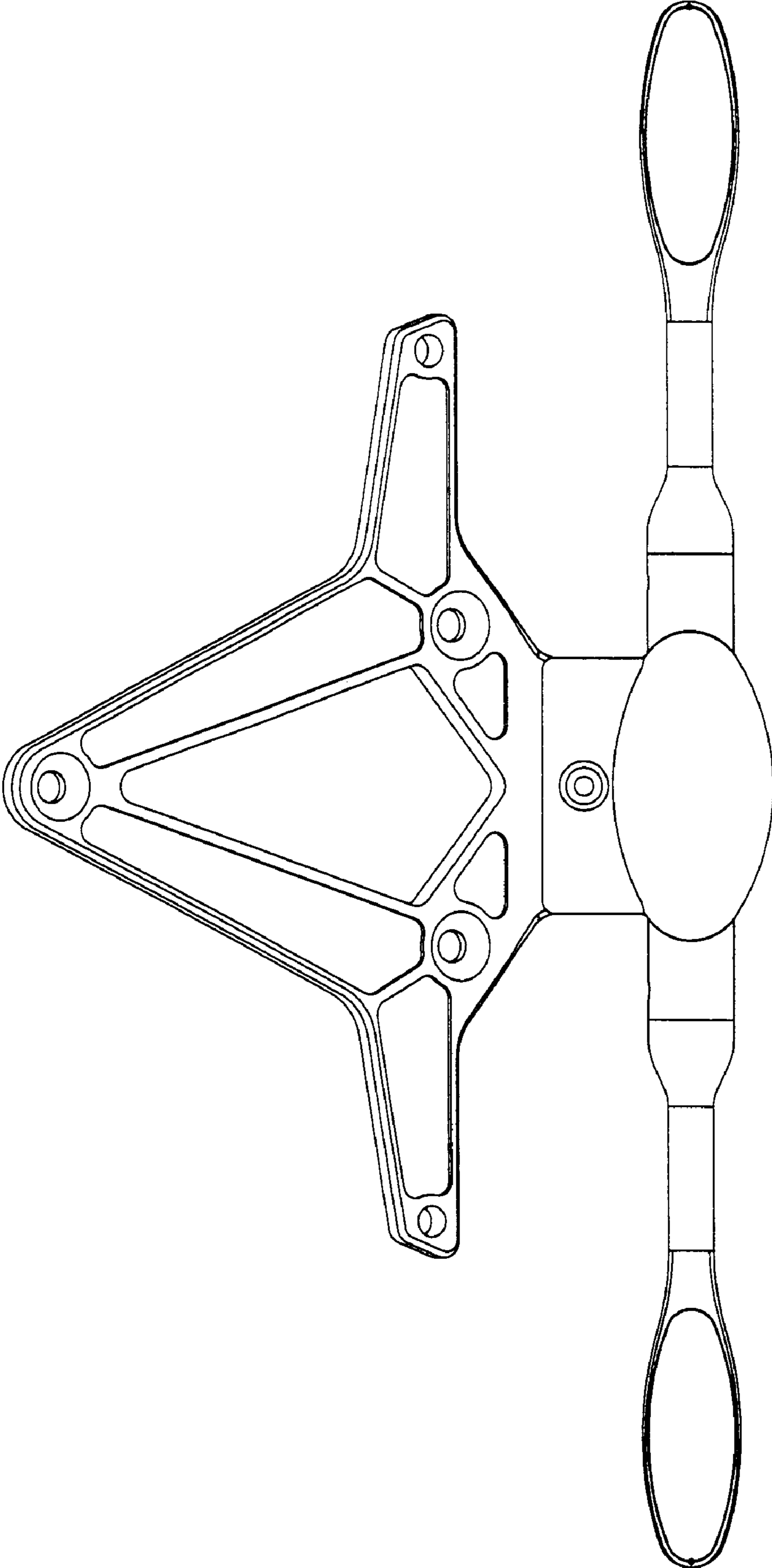


FIG. 3

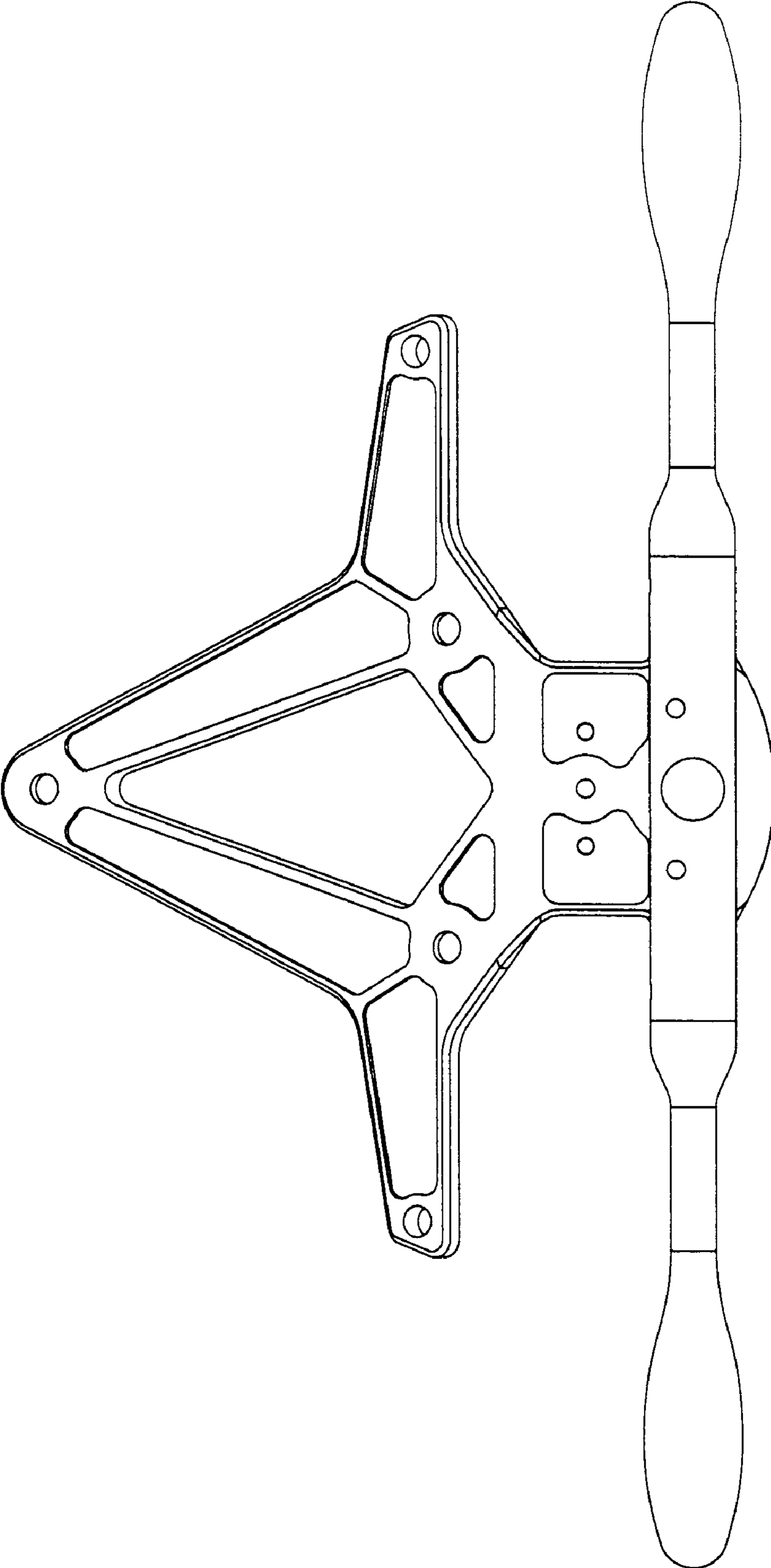


FIG. 4

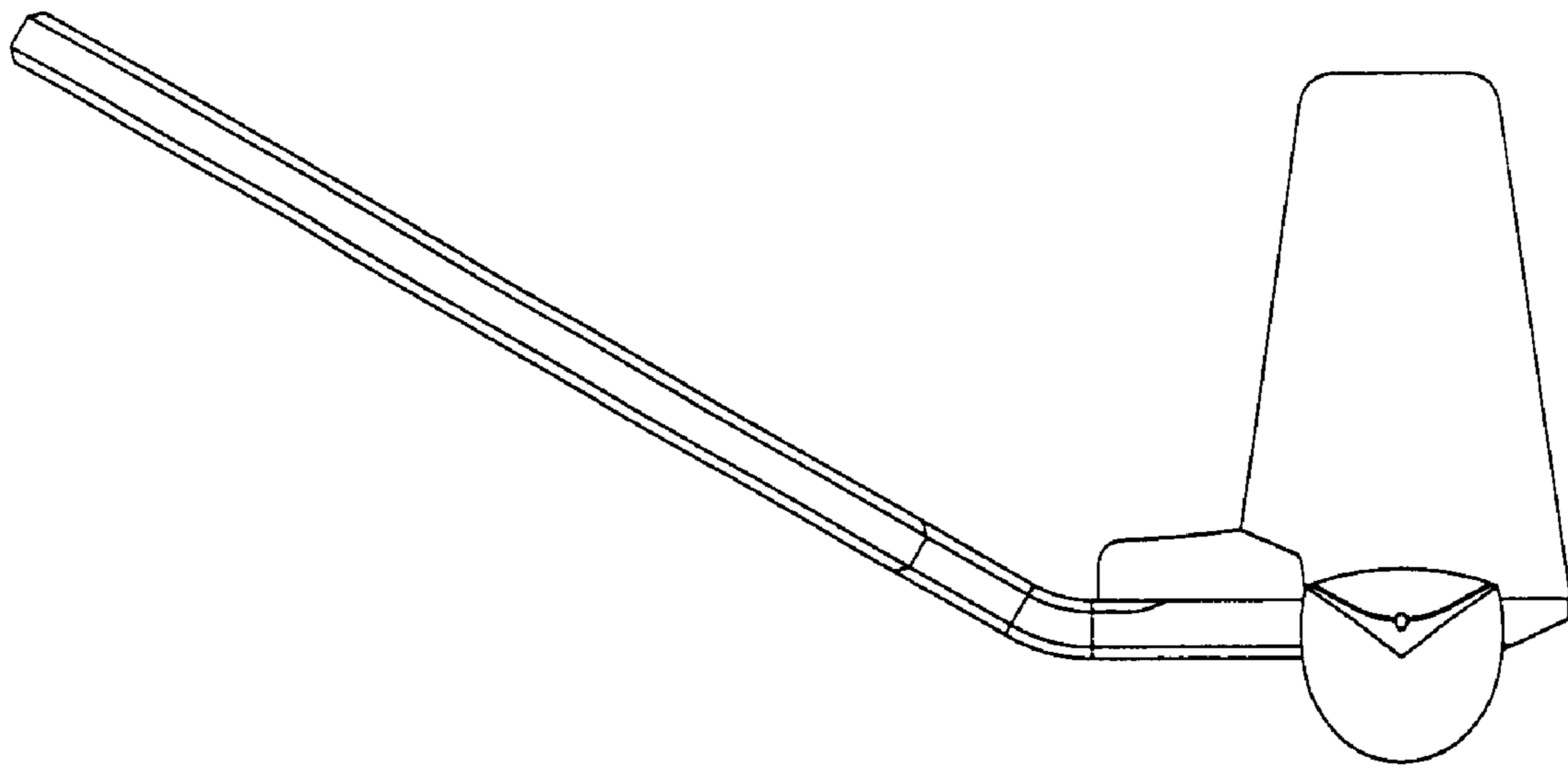


FIG. 5

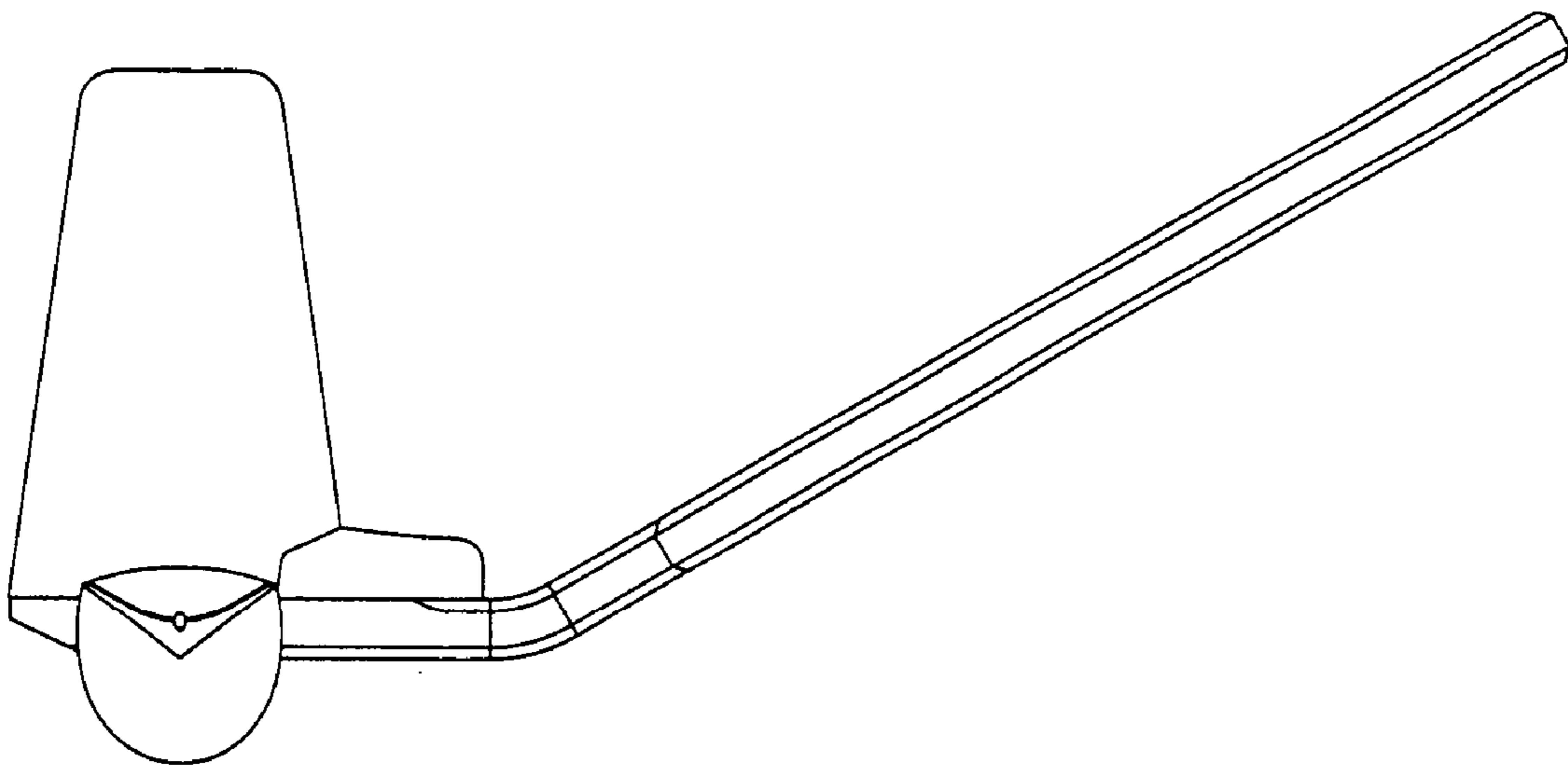


FIG. 6

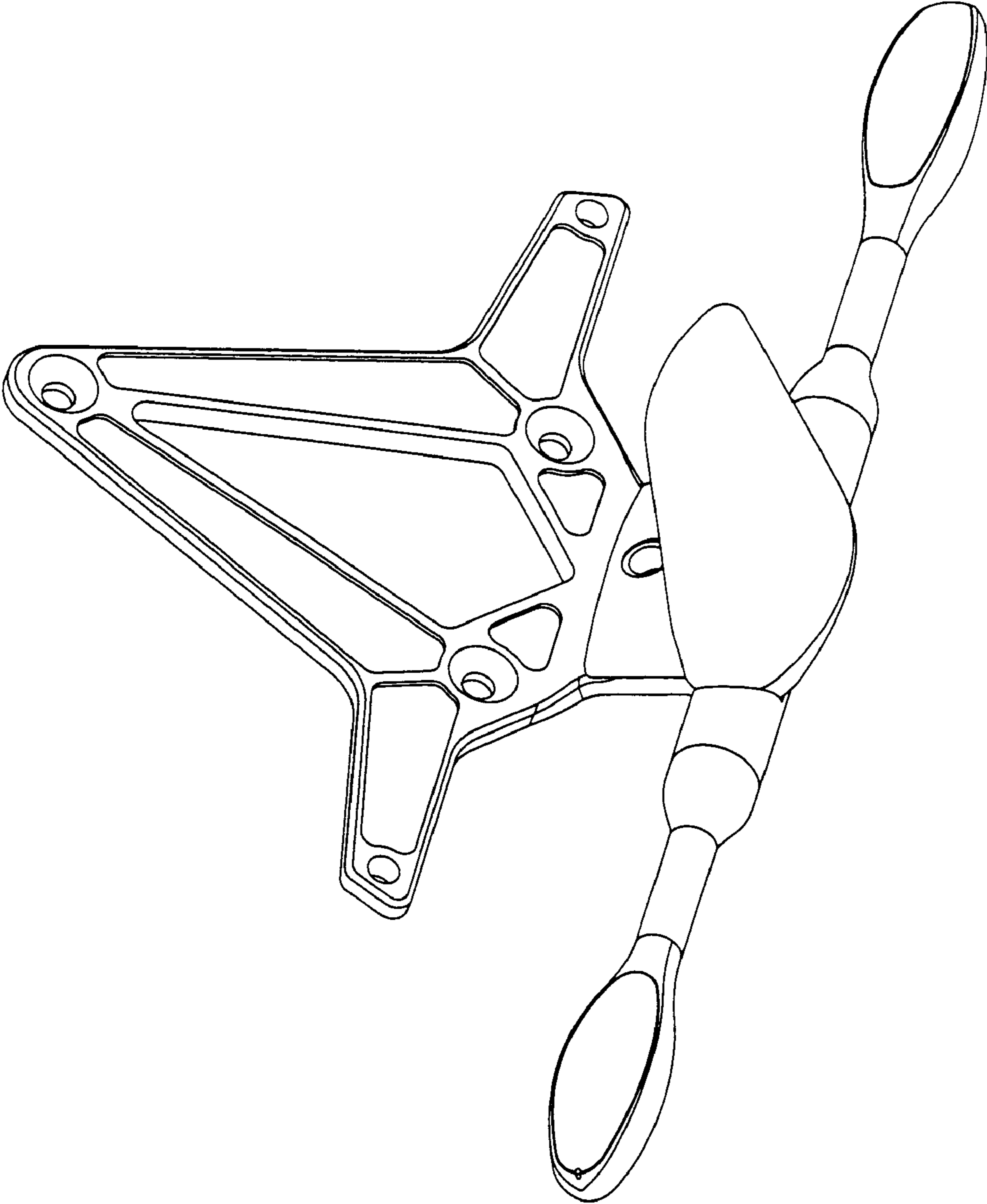


FIG. 7



UNITED STATES PATENT AND TRADEMARK OFFICE  
**CERTIFICATE OF CORRECTION**

PATENT NO. : Des. 528,953 S  
APPLICATION NO. : 29/228986  
DATED : September 26, 2006  
INVENTOR(S) : Kellermann

Page 1 of 1

It is certified that error appears in the above-identified patent and that said Letters Patent is hereby corrected as shown below:

On Title Page, item (30), please change the date of the first cited foreign patent of the Foreign Application Priority data from "Oct. 3, 2004" to correctly read:  
-- Oct. 30, 2004--.

Signed and Sealed this

Nineteenth Day of December, 2006

A handwritten signature in black ink on a light gray dotted background. The signature reads "Jon W. Dudas" in a cursive style.

JON W. DUDAS

*Director of the United States Patent and Trademark Office*