



US00D528951S

(12) **United States Design Patent**  
**Oben**

(10) **Patent No.:** **US D528,951 S**

(45) **Date of Patent:** **\*\* Sep. 26, 2006**

(54) **DISC BRAKE BRACKET**

(76) Inventor: **Richard Oben**, 7321 N. Wayne Ave.,  
Gladstone, MO (US) 64118

(\*\*) Term: **14 Years**

(21) Appl. No.: **29/213,324**

(22) Filed: **Sep. 16, 2004**

(51) **LOC (8) Cl.** ..... **12-16**

(52) **U.S. Cl.** ..... **D12/180**

(58) **Field of Classification Search** ..... D12/180,  
D12/223; 188/24.11-24.13, 24.22, 209-211,  
188/218 XL, 71.1, 73.1, 73.31; 192/107 R,  
192/70.16

See application file for complete search history.

(56) **References Cited**

**U.S. PATENT DOCUMENTS**

D398,283 S *	9/1998	Miller	.....	D12/223
D442,539 S *	5/2001	Nickel	.....	D12/223
D490,350 S *	5/2004	Blaschke et al.	.....	D12/180
6,832,855 B1 *	12/2004	Hofmann et al.	.....	384/544
7,028,812 B1 *	4/2006	Wagner et al.	.....	188/71.1

\* cited by examiner

*Primary Examiner*—Melody N. Brown

(74) *Attorney, Agent, or Firm*—Barlow, Josephs & Holmes,  
Ltd.

(57) **CLAIM**

The ornamental design for a disc brake bracket, as shown  
and described.

**DESCRIPTION**

FIG. 1 is a perspective view of a disc brake bracket, showing  
my new design;

FIG. 2 is a top plan view thereof;

FIG. 3 is a bottom view thereof;

FIG. 4 is a front view thereof;

FIG. 5 is a rear view thereof;

FIG. 6 is a left side view thereof;

FIG. 7 is a right side view thereof;

FIG. 8 is a perspective view of a second embodiment disc  
brake bracket, showing my new design;

FIG. 9 is a top plan view of FIG. 8;

FIG. 10 is a bottom view of FIG. 8;

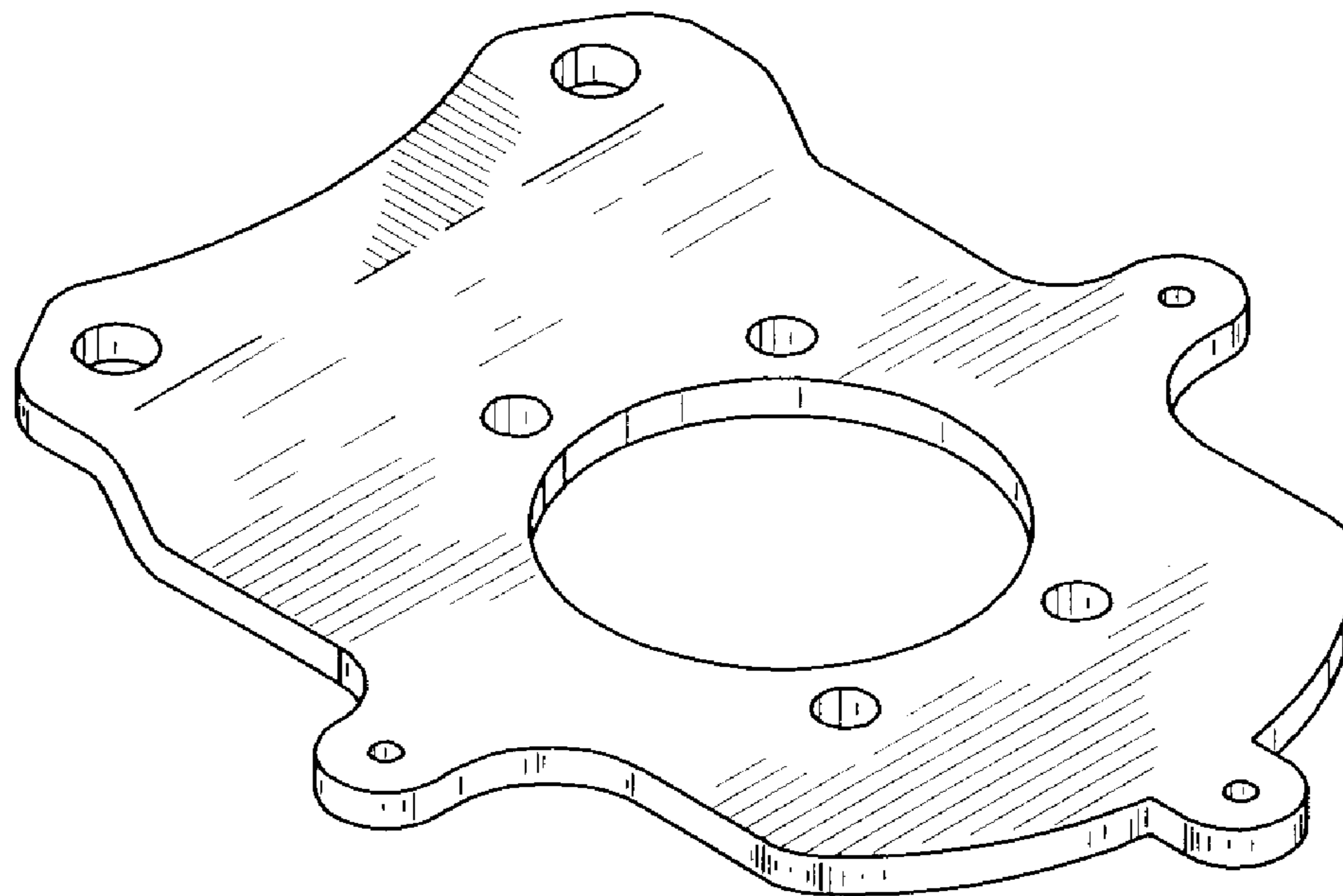
FIG. 11 is a front view of FIG. 8;

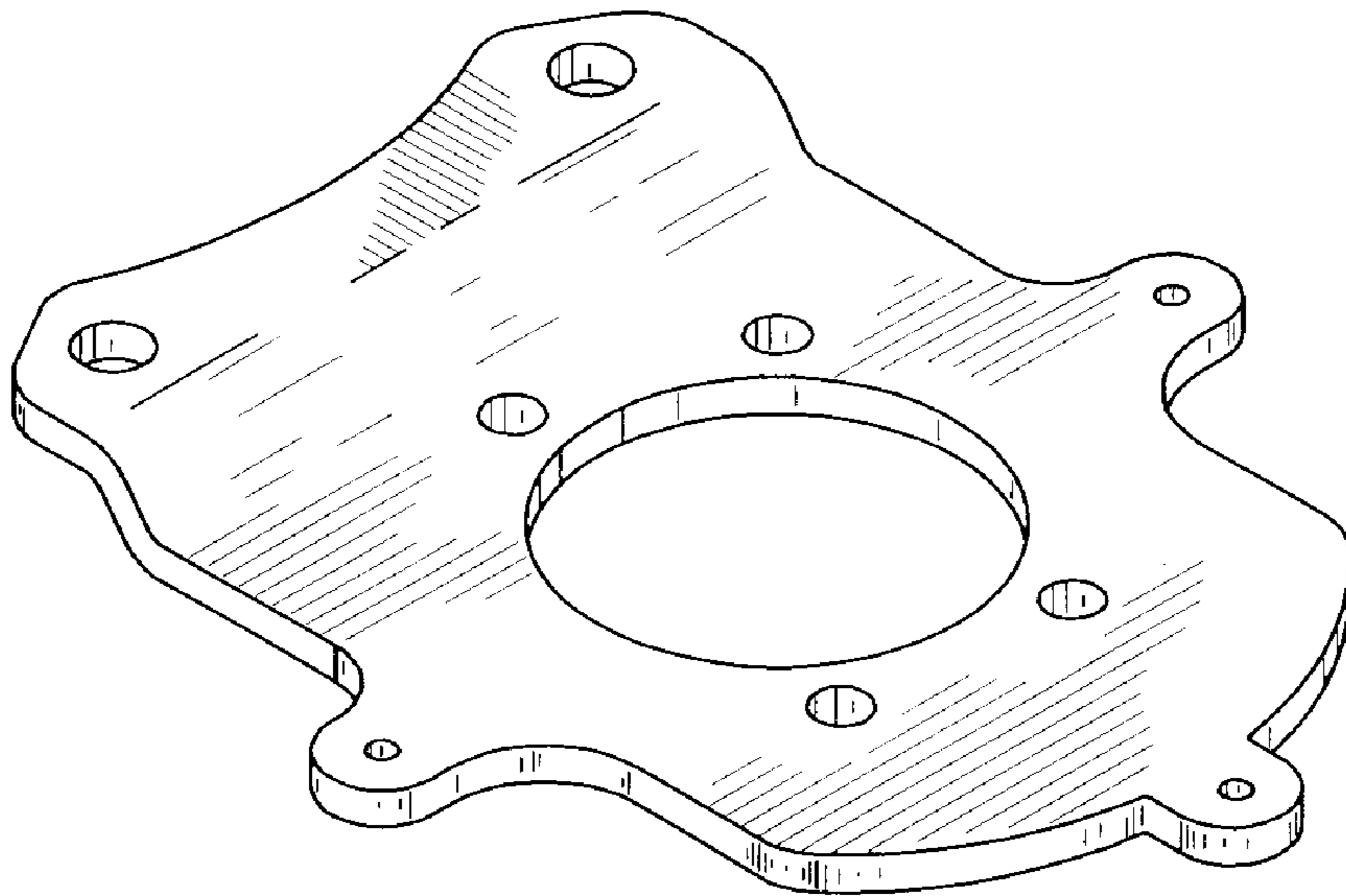
FIG. 12 is a rear view of FIG. 8;

FIG. 13 is a left side view of FIG. 8; and,

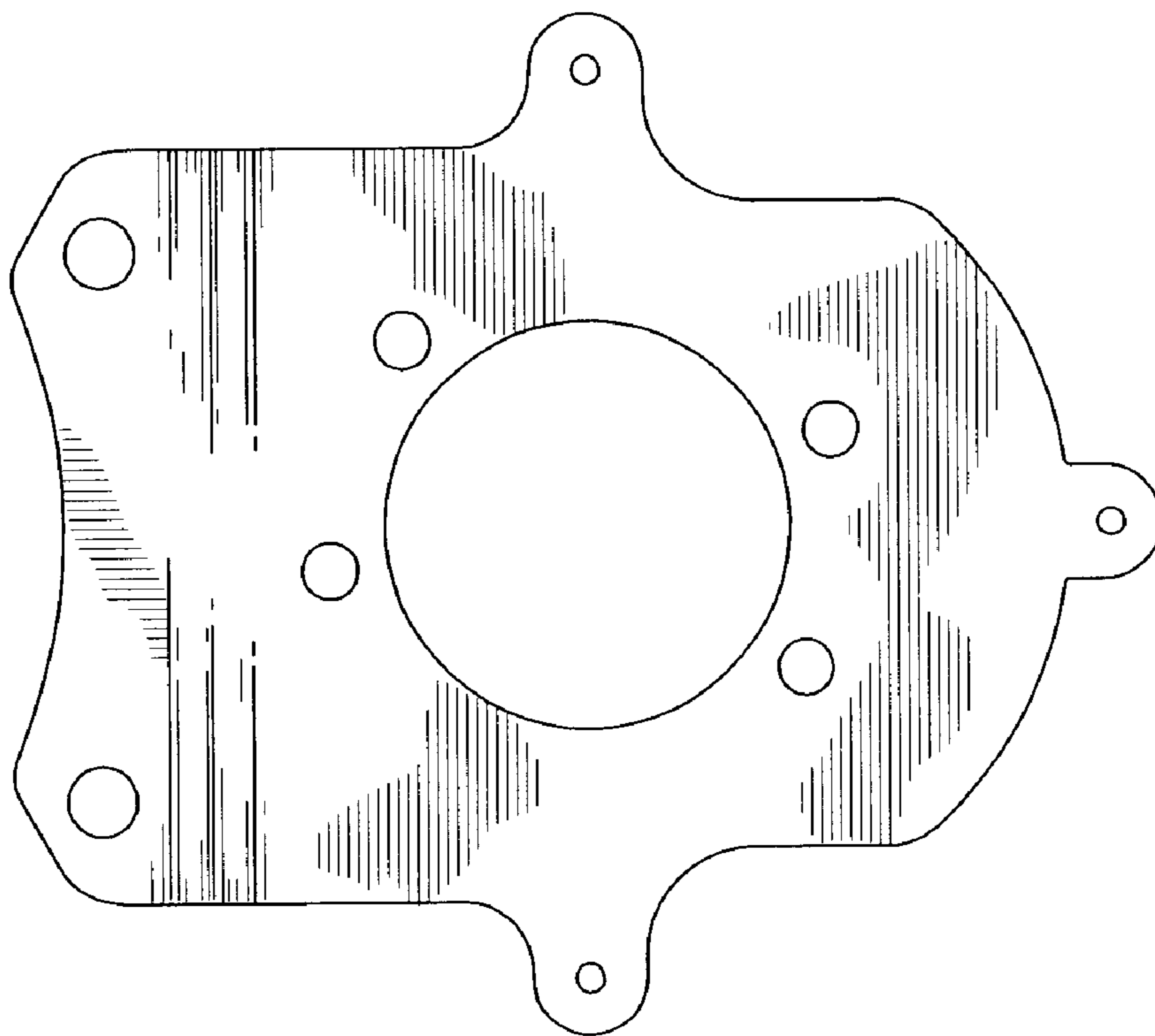
FIG. 14 is a right side view of FIG. 8.

**1 Claim, 12 Drawing Sheets**

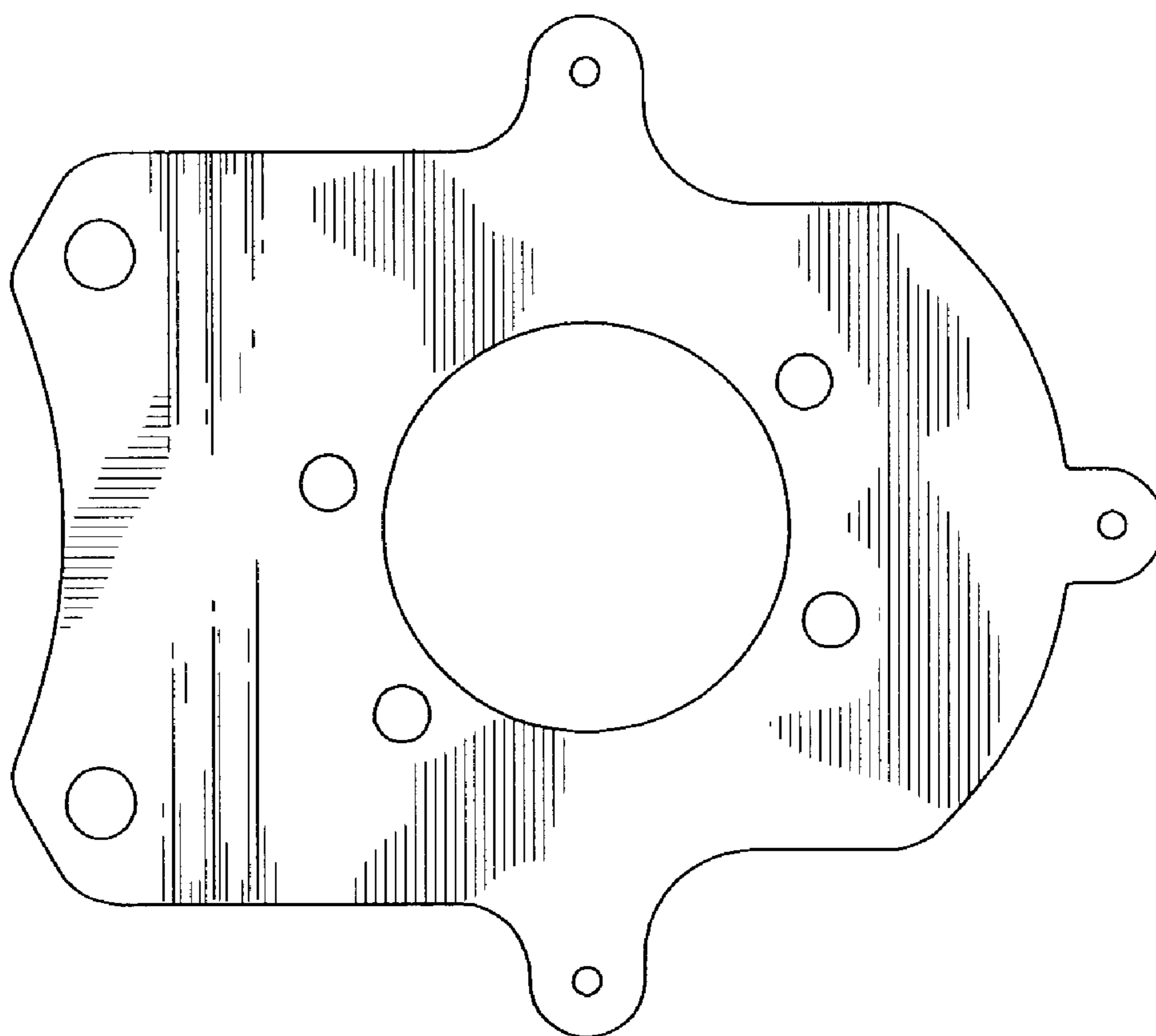




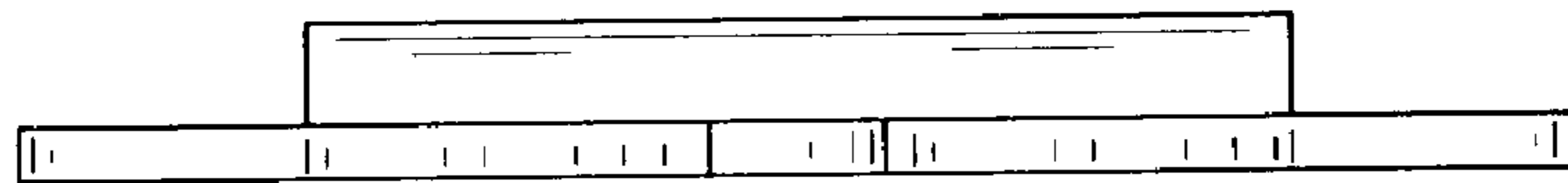
**FIG. 1**



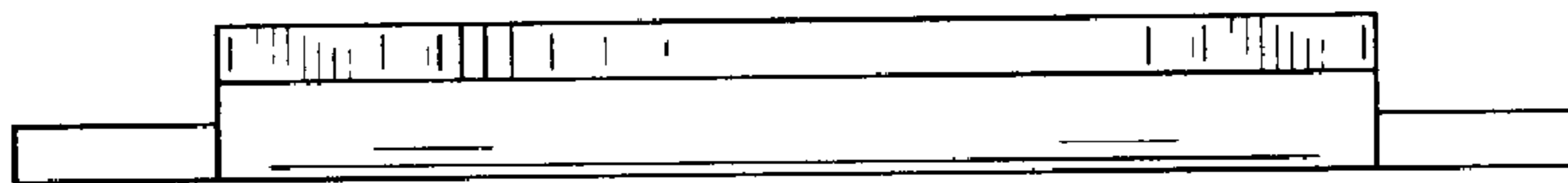
**FIG. 2**



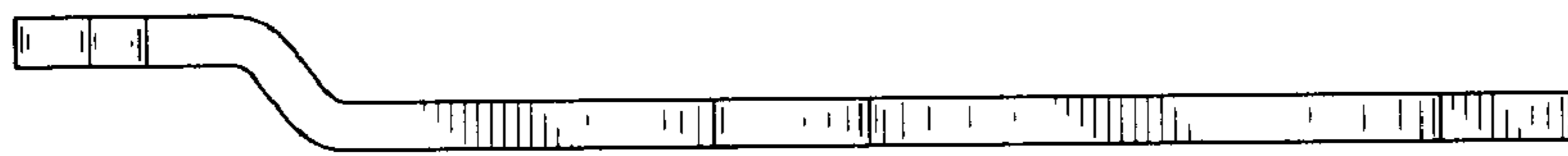
**FIG. 3**



**FIG. 4**



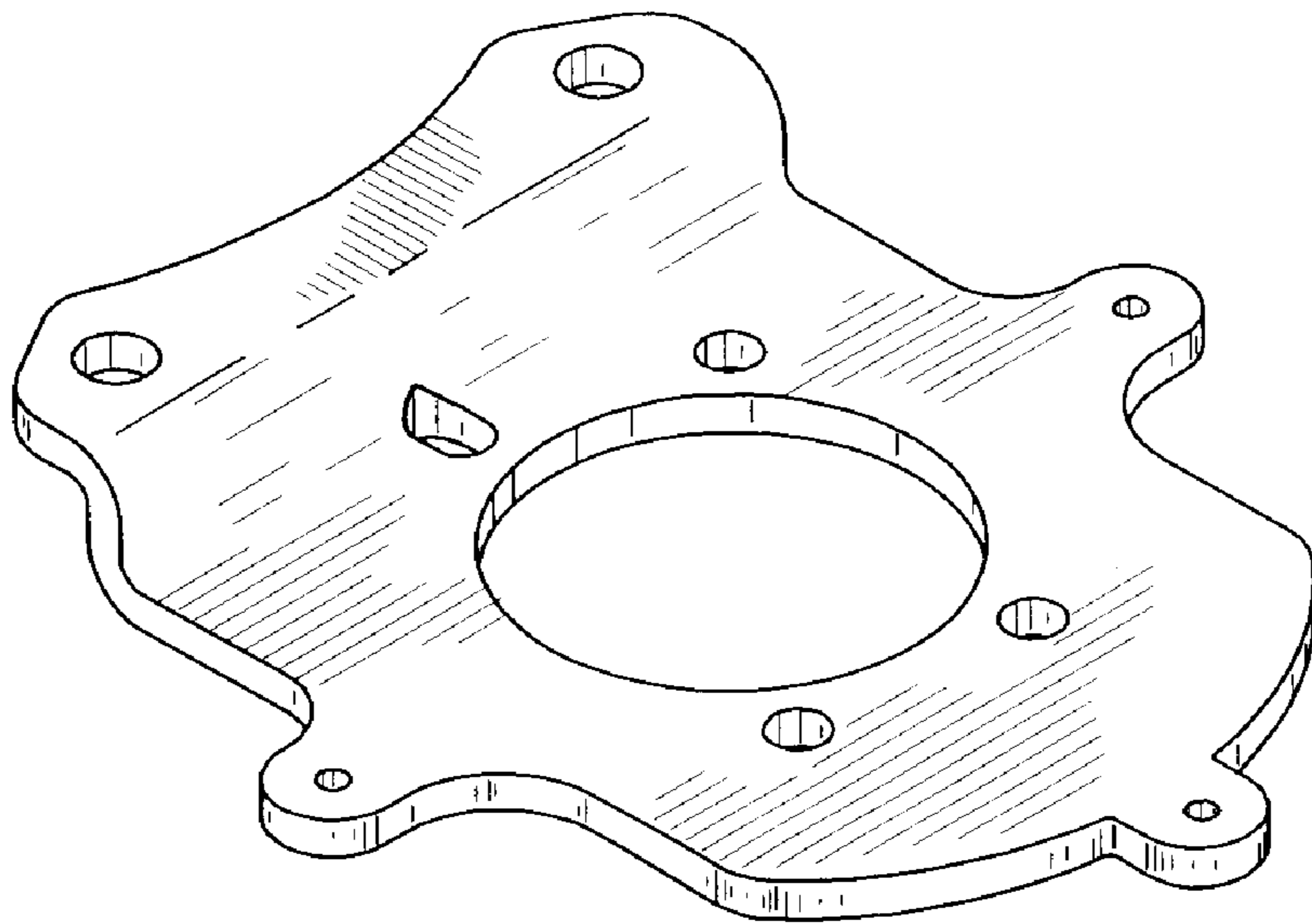
**FIG. 5**



**FIG. 6**

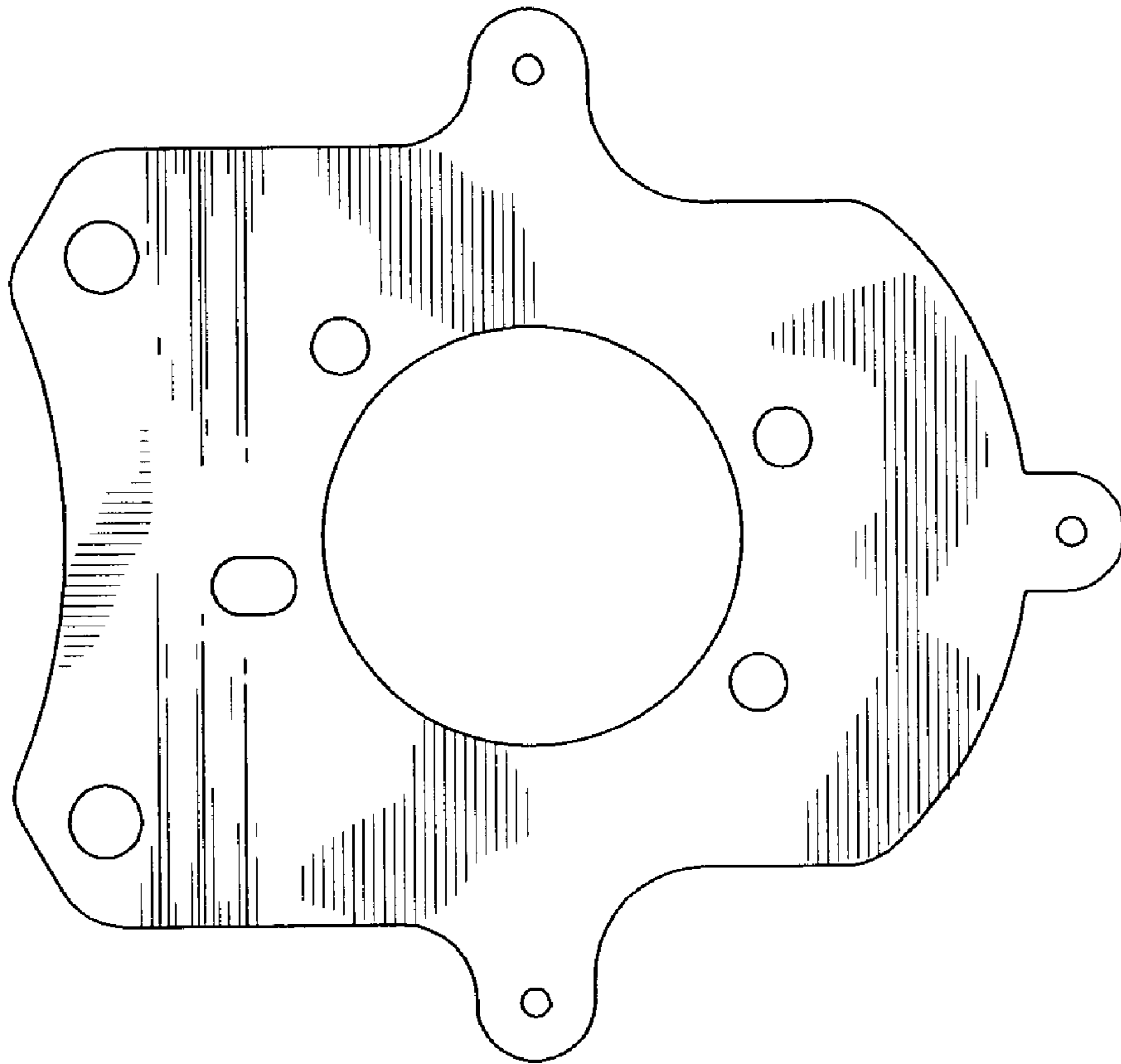


**FIG. 7**

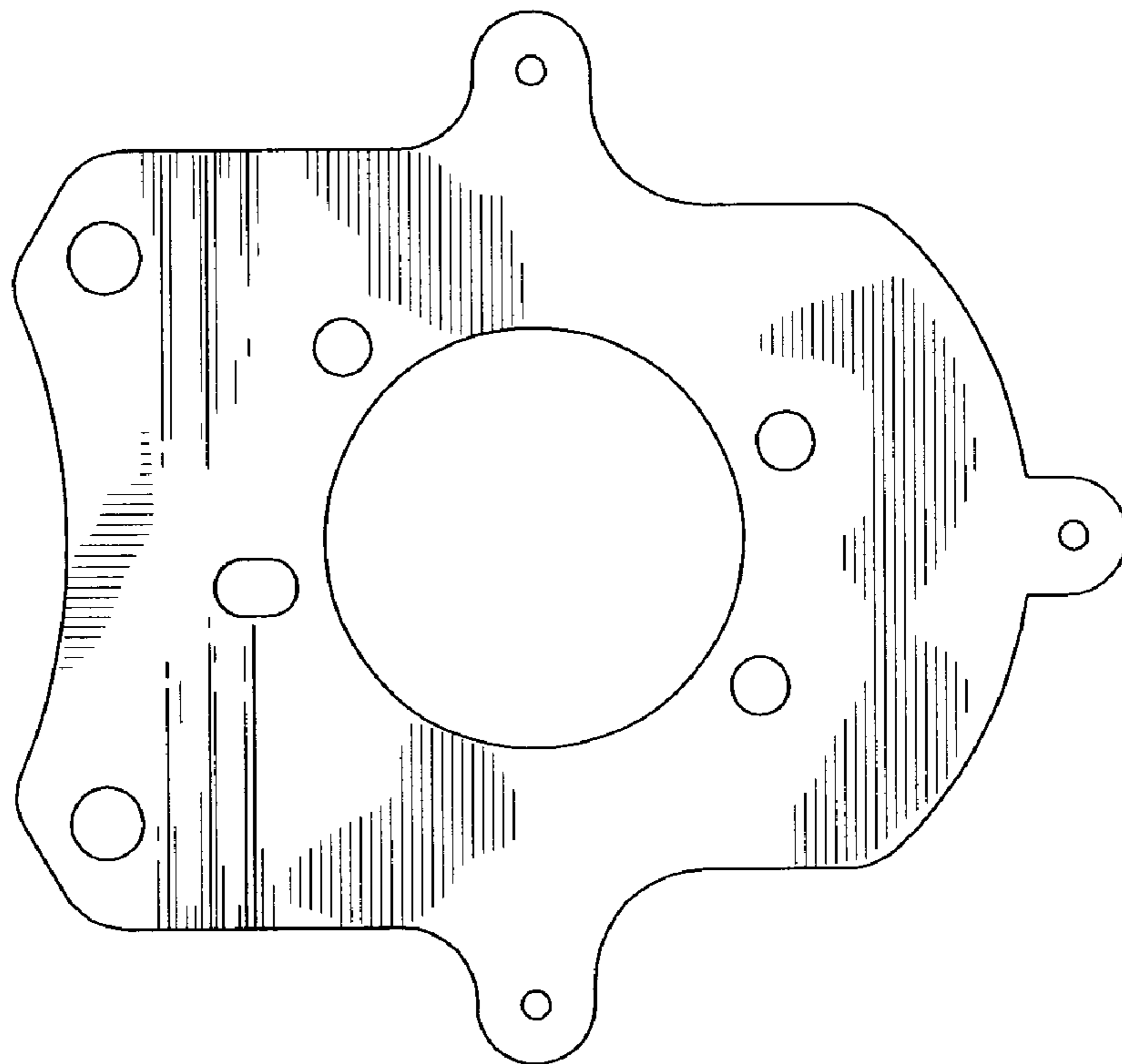


**FIG. 8**

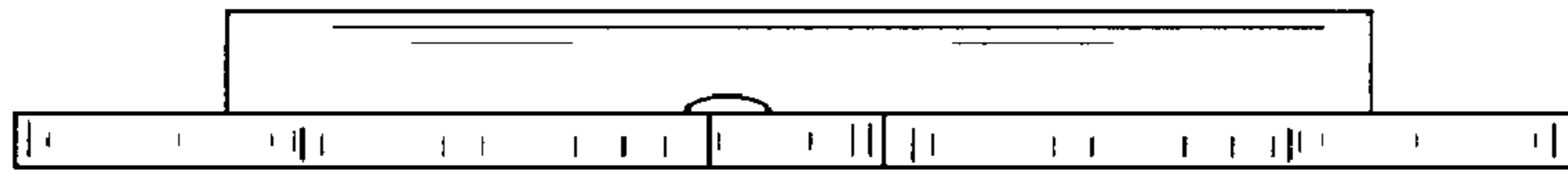




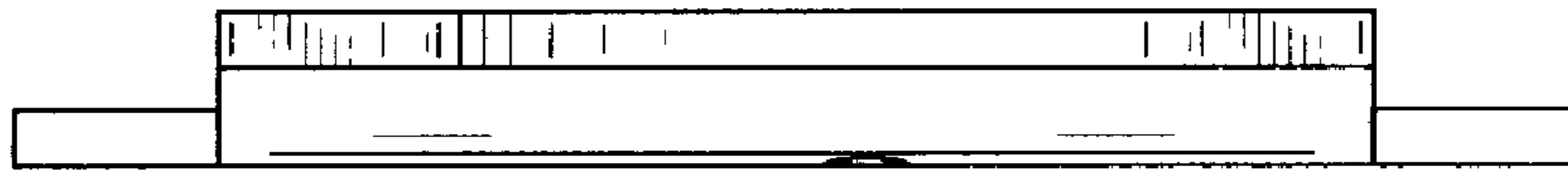
**FIG. 9**



**FIG. 10**



**FIG. 11**



**FIG. 12**



**FIG. 13**



**FIG. 14**