



US00D528948S

(12) **United States Design Patent**
Daykin

(10) **Patent No.:** **US D528,948 S**

(45) **Date of Patent:** **** Sep. 26, 2006**

(54) **FOLDABLE STROLLER**

D509,773 S * 9/2005 Fox et al. D12/129
D510,060 S * 9/2005 Starck D12/129

(75) Inventor: **Kevin Daykin**, Northampton (GB)

* cited by examiner

(73) Assignee: **Armon LTD**, Geneva (CH)

Primary Examiner—Marcus A. Jackson

(**) Term: **14 Years**

(74) *Attorney, Agent, or Firm*—Andrew Wilford

(21) Appl. No.: **29/232,470**

(57) **CLAIM**

(22) Filed: **Jun. 20, 2005**

The ornamental design for a foldable stroller, as shown and described.

(51) **LOC (8) Cl.** **12-12**

DESCRIPTION

(52) **U.S. Cl.** **D12/129**

(58) **Field of Classification Search** D12/128–133;
280/642, 643, 644, 647, 648, 650, 658
See application file for complete search history.

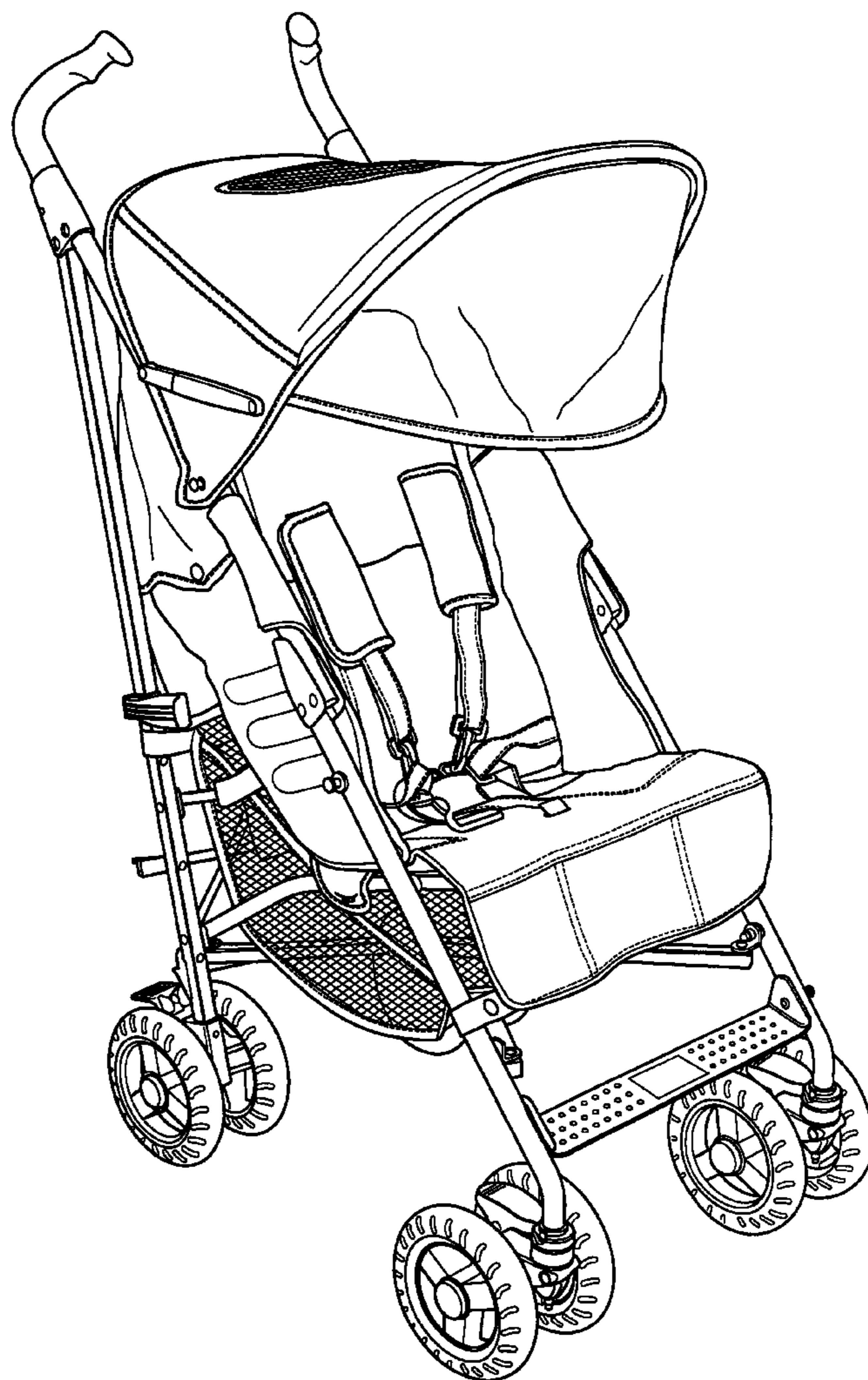
FIG. 1 is a front elevational view of a foldable stroller, showing my new design;
FIG. 2 is a right side elevational view thereof;
FIG. 3 is a left side elevational view thereof;
FIG. 4 is a front perspective view thereof;
FIG. 5 is a top plan view thereof;
FIG. 6 is a rear elevational view thereof; and,
FIG. 7 is a bottom plan view thereof.

(56) **References Cited**

U.S. PATENT DOCUMENTS

D486,098 S * 2/2004 Church D12/129
D486,429 S * 2/2004 Daykin D12/129
D488,410 S * 4/2004 Kassai et al. D12/129

1 Claim, 7 Drawing Sheets



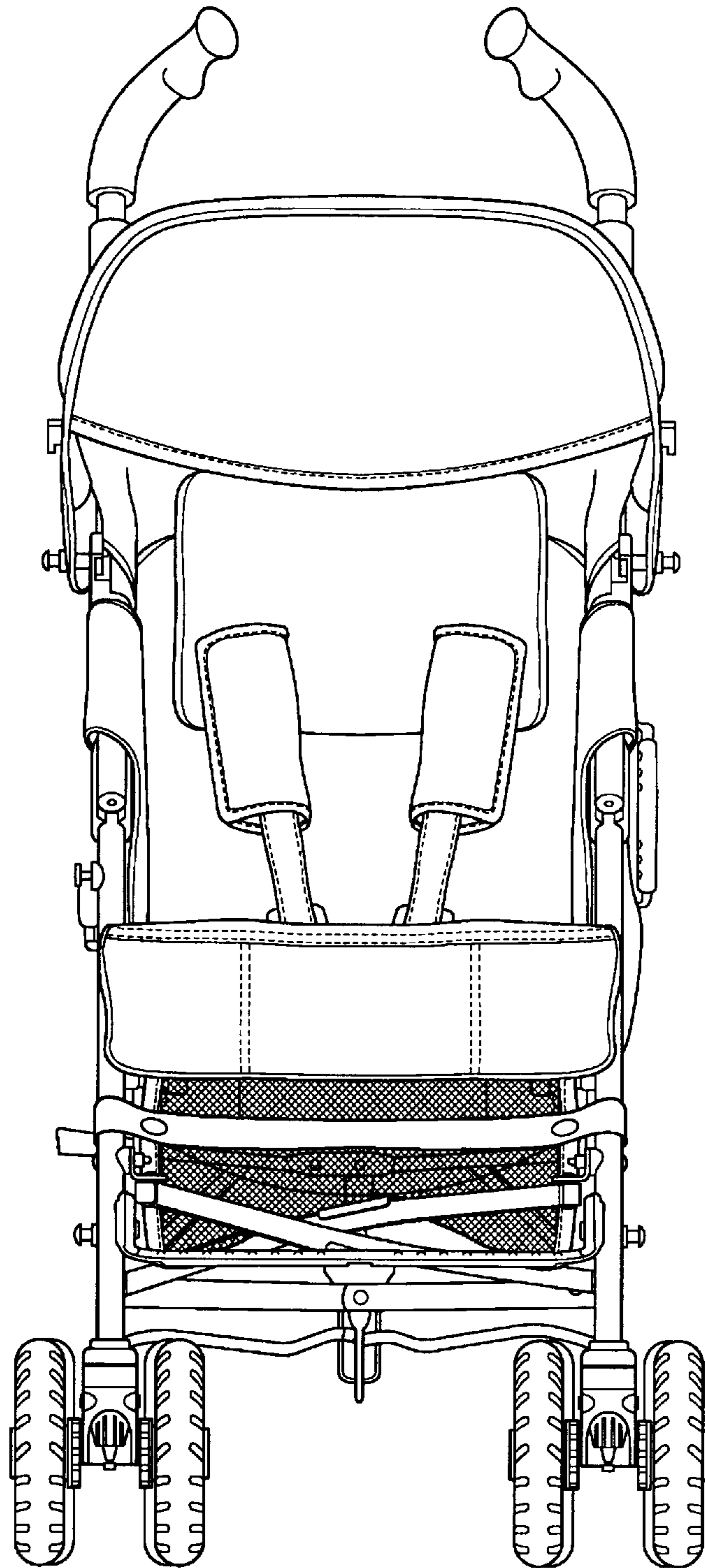


Fig. 1

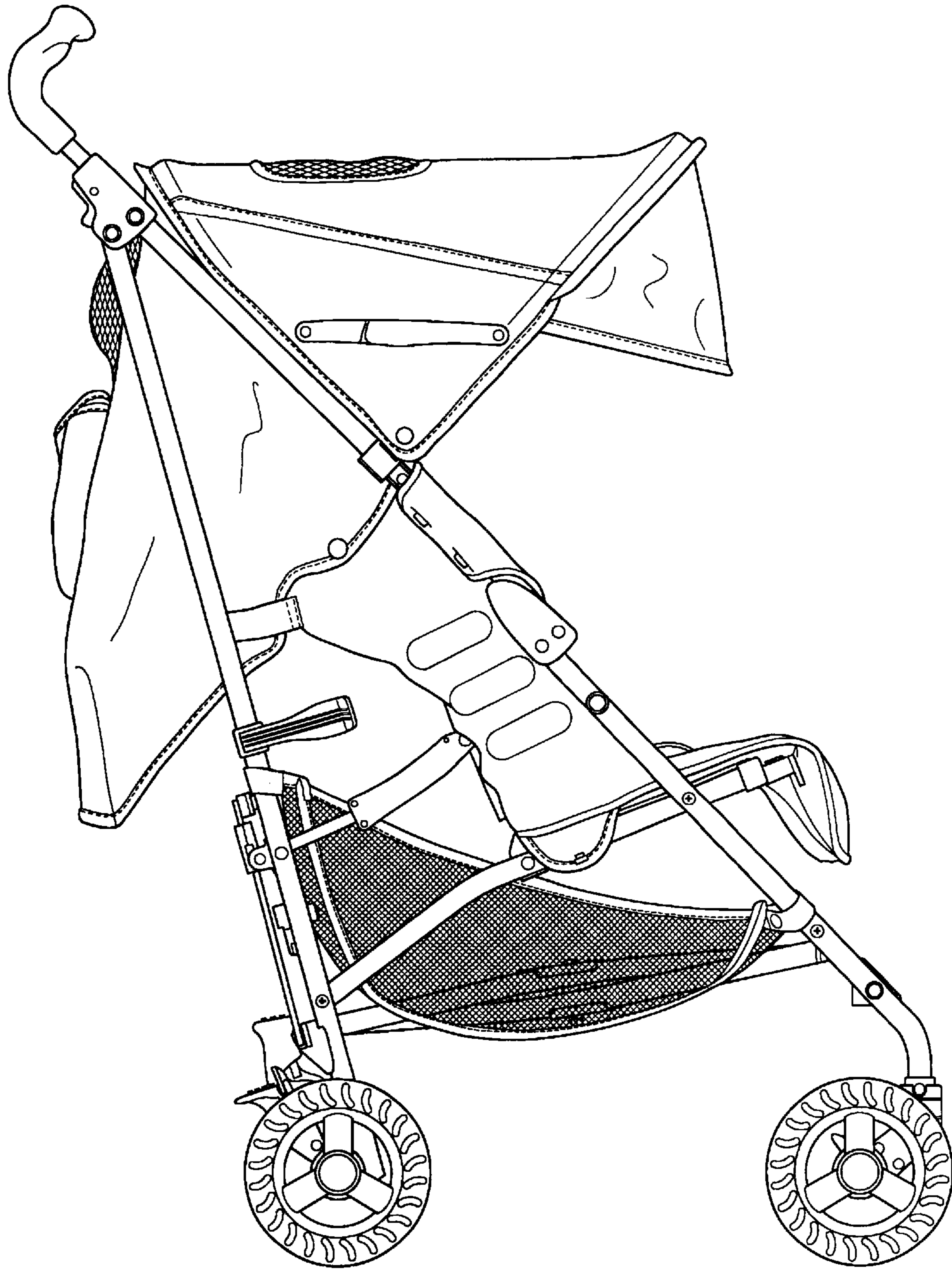


Fig. 2

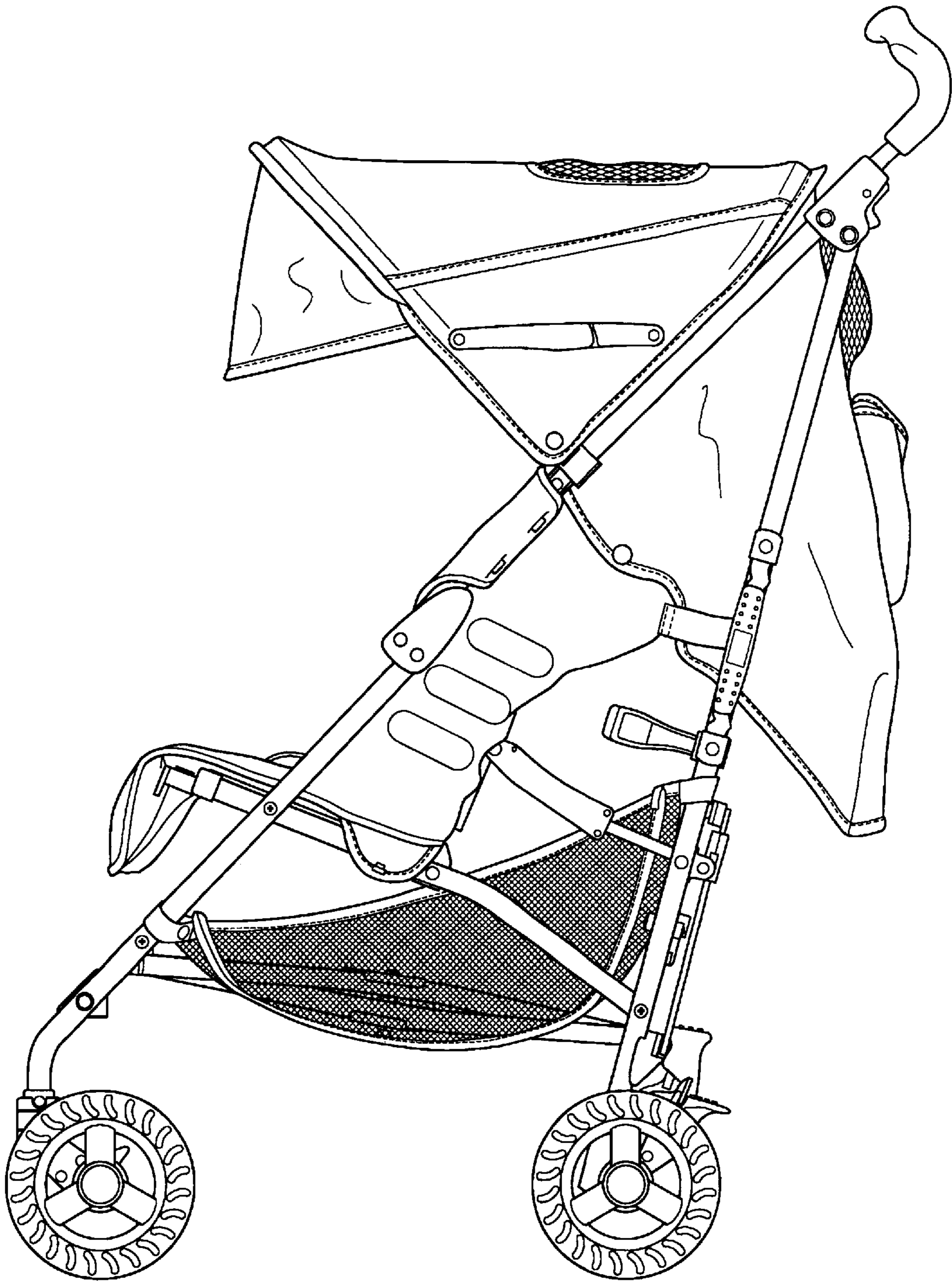


Fig. 3

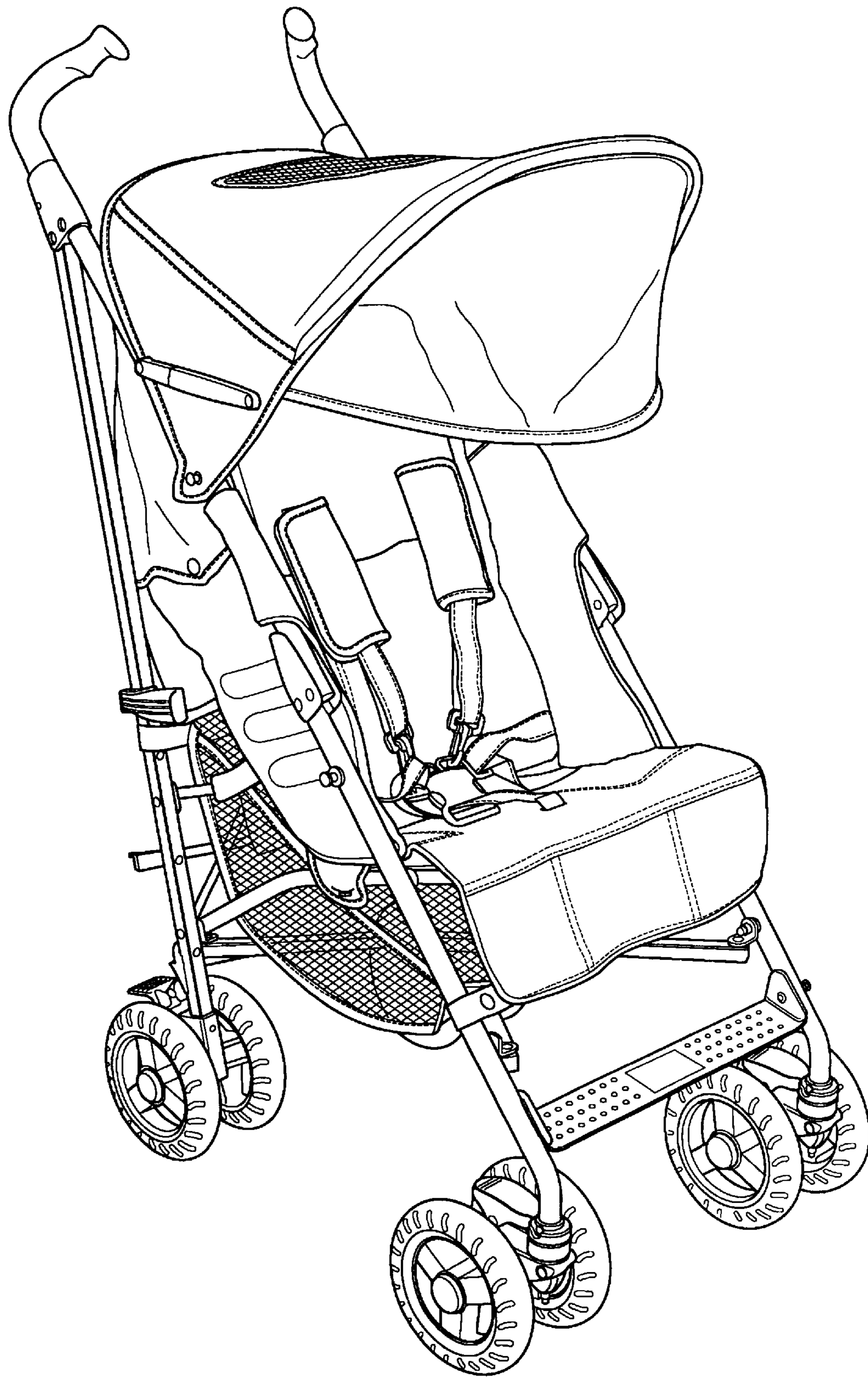


Fig. 4

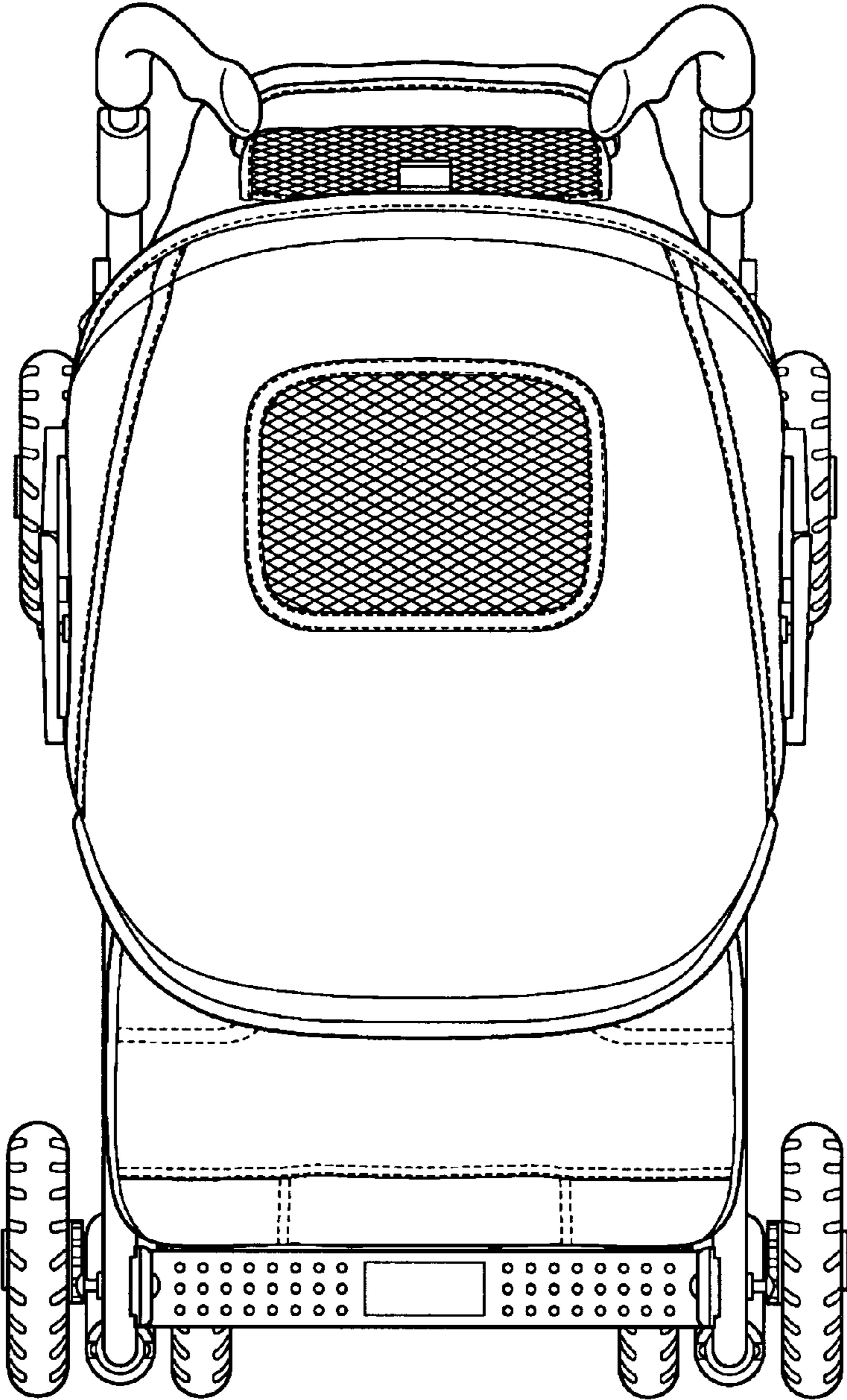


Fig. 5

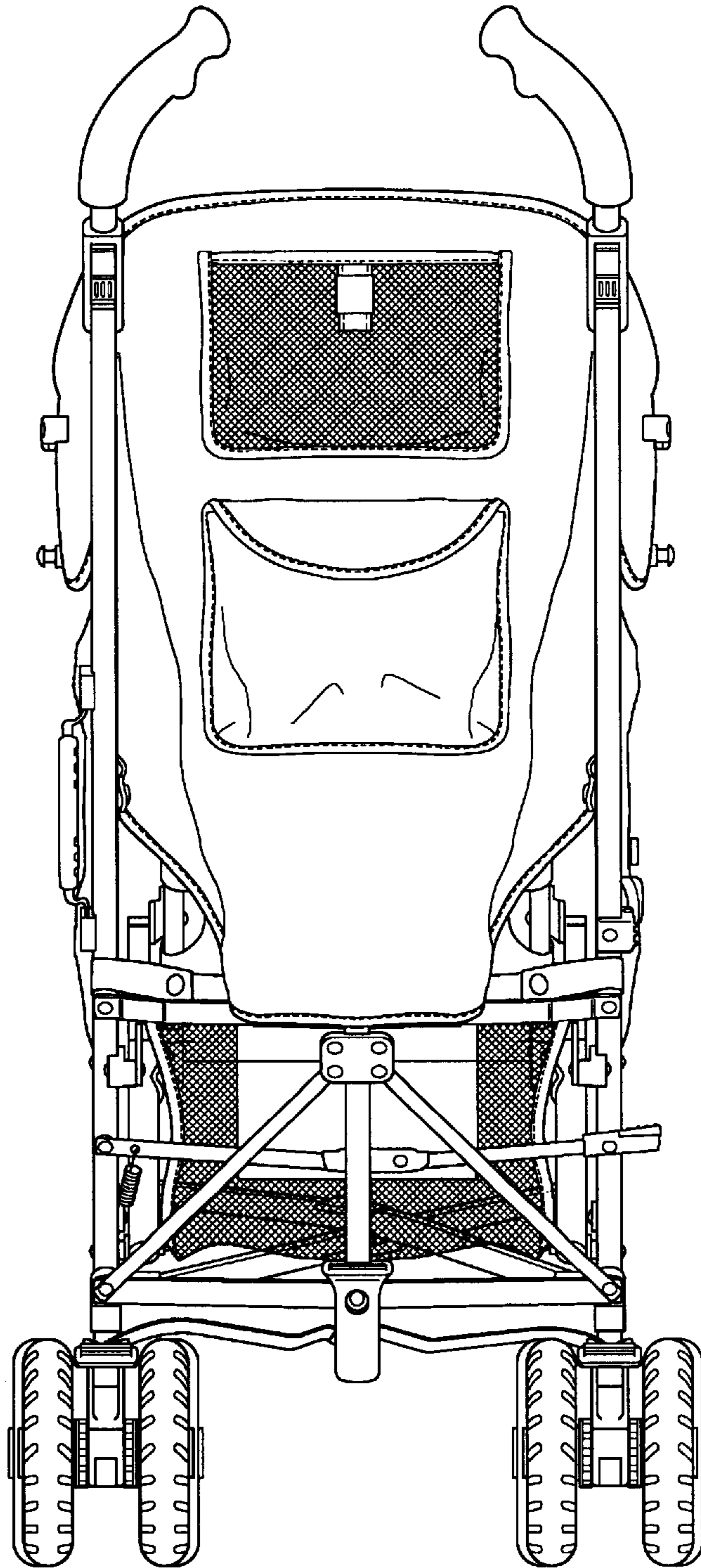


Fig. 6

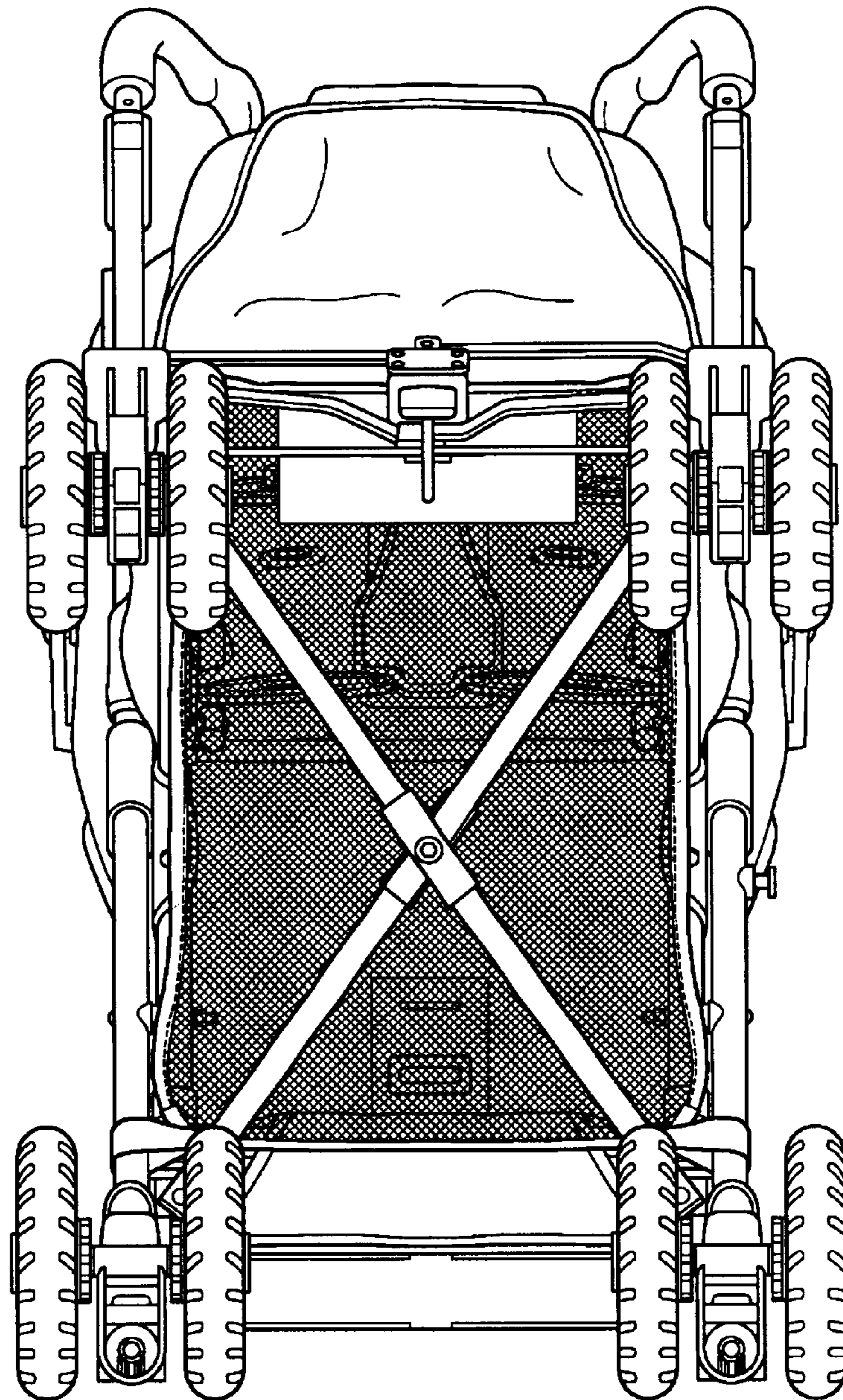


Fig. 7