

US00D528946S

(12) **United States Design Patent**  
**Scott et al.**

(10) **Patent No.:** **US D528,946 S**  
(45) **Date of Patent:** **\*\* Sep. 26, 2006**

(54) **CART**

(75) Inventors: **David K Scott**, Fielding (NZ); **Thomas R Jackman**, Palmerston North (NZ)

(73) Assignee: **Flexibility Concepts Ltd.** (NZ)

(\*\*) Term: **14 Years**

(21) Appl. No.: **29/223,229**

(22) Filed: **Feb. 10, 2005**

(30) **Foreign Application Priority Data**

Aug. 11, 2004 (NZ) ..... 405158

(51) **LOC (8) Cl.** ..... **12-11**

(52) **U.S. Cl.** ..... **D12/107**

(58) **Field of Classification Search** ..... D12/107,  
D12/112, 113, 111; D34/15; 280/35, 79.2,  
280/259, 260, 7.1, 7.11, 7.15, 270, 271, 282,  
280/200, 202, 30, 281.1, 288.1, 288.2, 651;  
D21/533, 534, 538, 562, 559, 432, 433; 446/71,  
446/440, 471

See application file for complete search history.

(56) **References Cited**

**U.S. PATENT DOCUMENTS**

1,652,284 A \* 12/1927 Madsen ..... 280/282  
3,828,876 A \* 8/1974 Morelli ..... 280/282  
3,857,583 A \* 12/1974 Vanover ..... 280/282  
D368,680 S \* 4/1996 Freeman ..... D12/113

**FOREIGN PATENT DOCUMENTS**

GB 2008045 5/1979  
NZ 531540 3/2004

**OTHER PUBLICATIONS**

U.S. Appl. No. 11/022,015, filed Dec. 23, 2004, Scott et al.

\* cited by examiner

*Primary Examiner*—Alan P. Douglas

*Assistant Examiner*—Linda Brooks

(74) *Attorney, Agent, or Firm*—Harness, Dickey & Pierce, P.L.C.

(57) **CLAIM**

The ornamental design for a cart, as shown and described.

**DESCRIPTION**

FIG. 1 is a perspective view of the cart, showing our new design;

FIG. 2 is a front elevation view thereof;

FIG. 3 is a left side elevation view thereof;

FIG. 4 is a right side elevation view thereof;

FIG. 5 is a rear elevation view thereof;

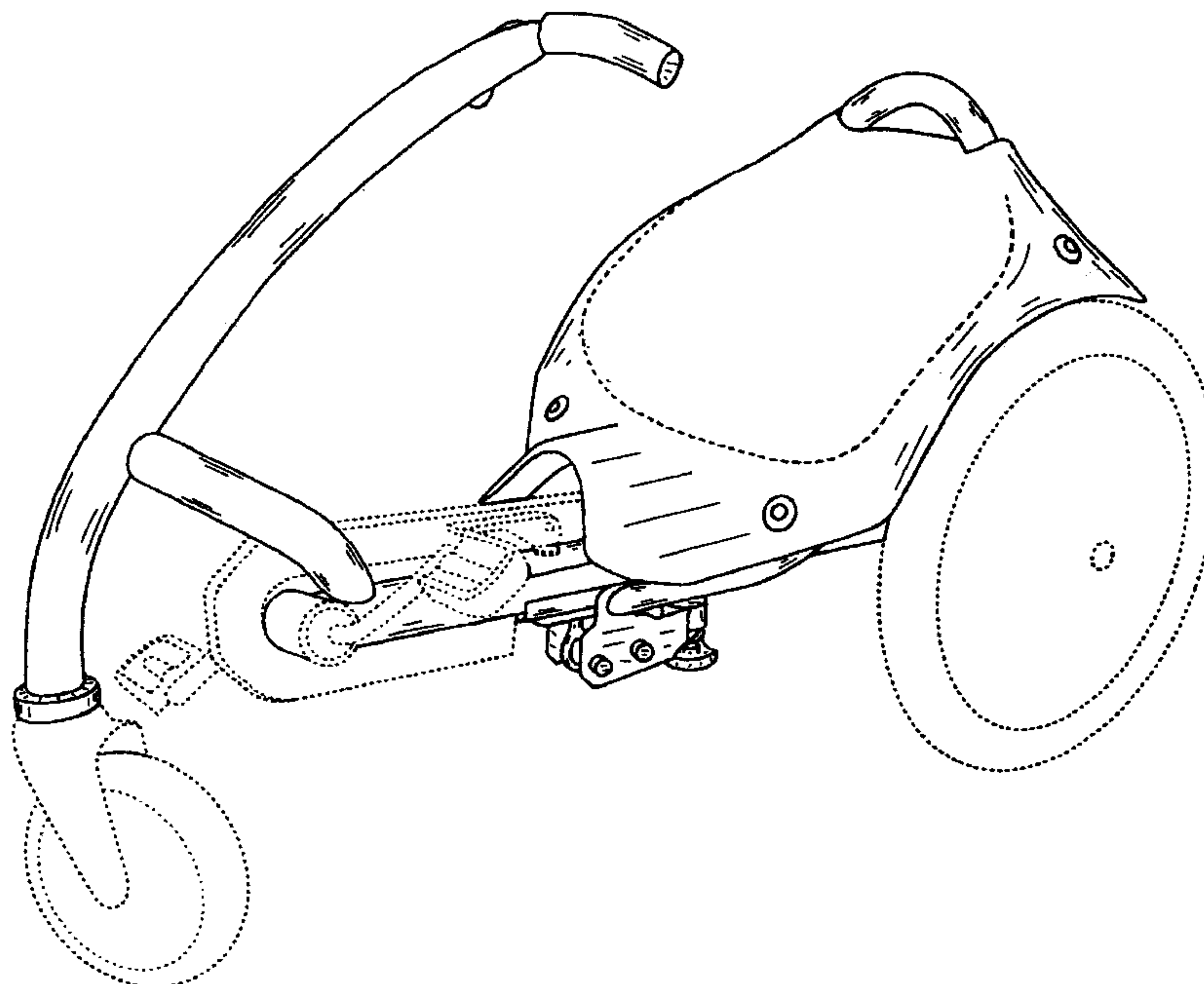
FIG. 6 is a top plan view thereof; and,

FIG. 7 is a bottom plan view thereof.

The details shown in broken lines are for illustrative purposes only and form no part of the claimed design.

The broken lines in the central portion of the seat are boundary lines and form no part of the claimed design.

**1 Claim, 7 Drawing Sheets**



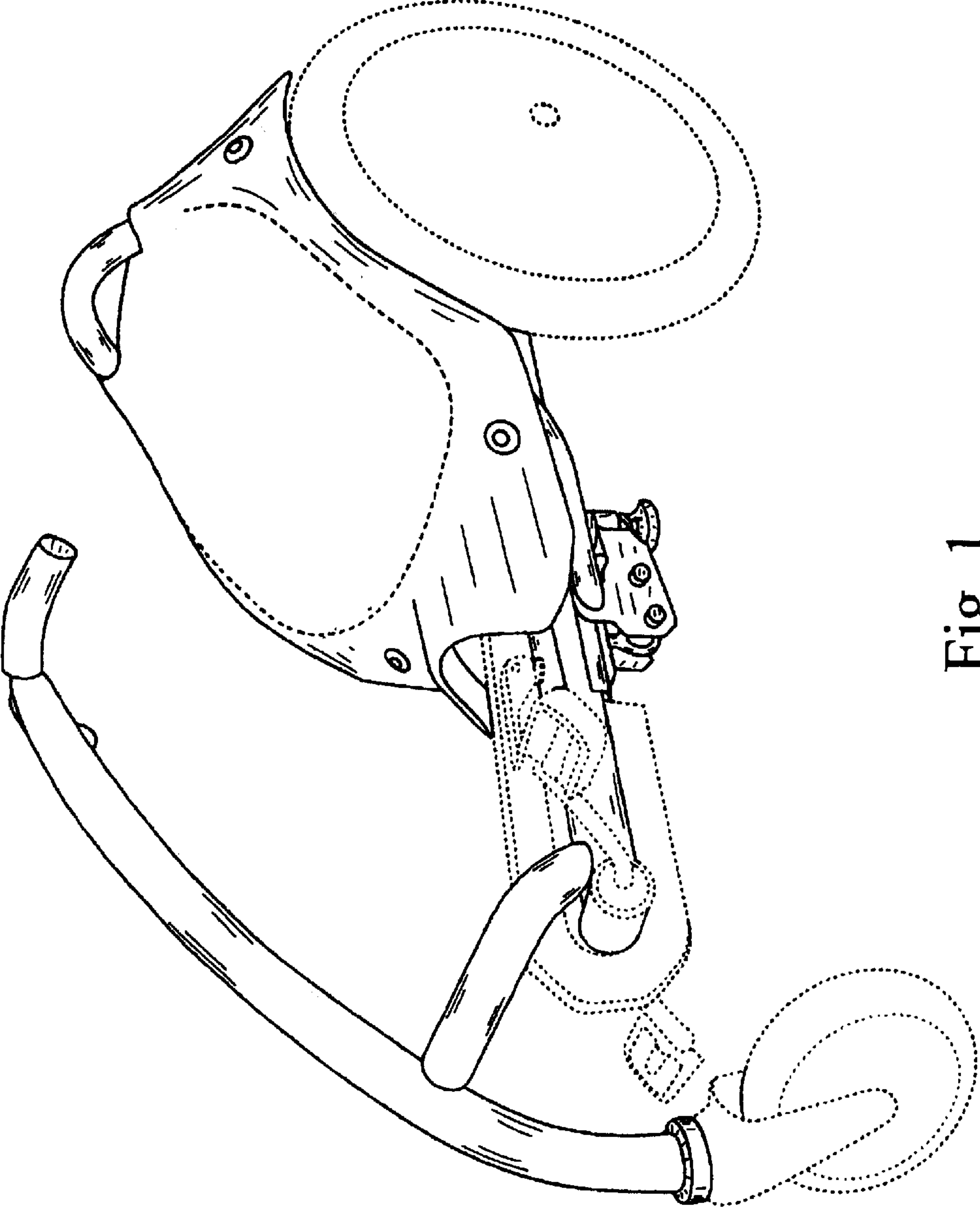


Fig. 1

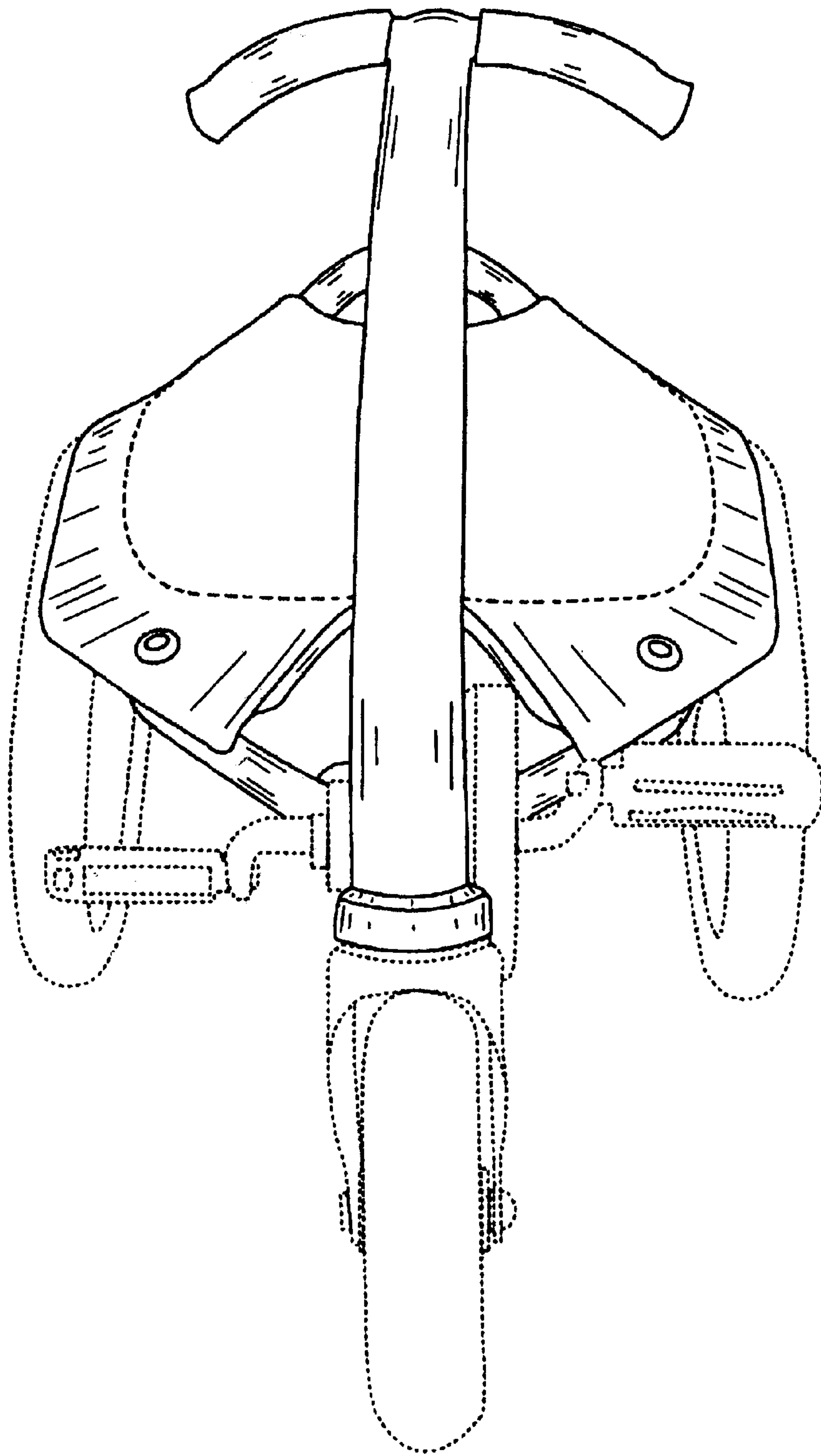


Fig. 2

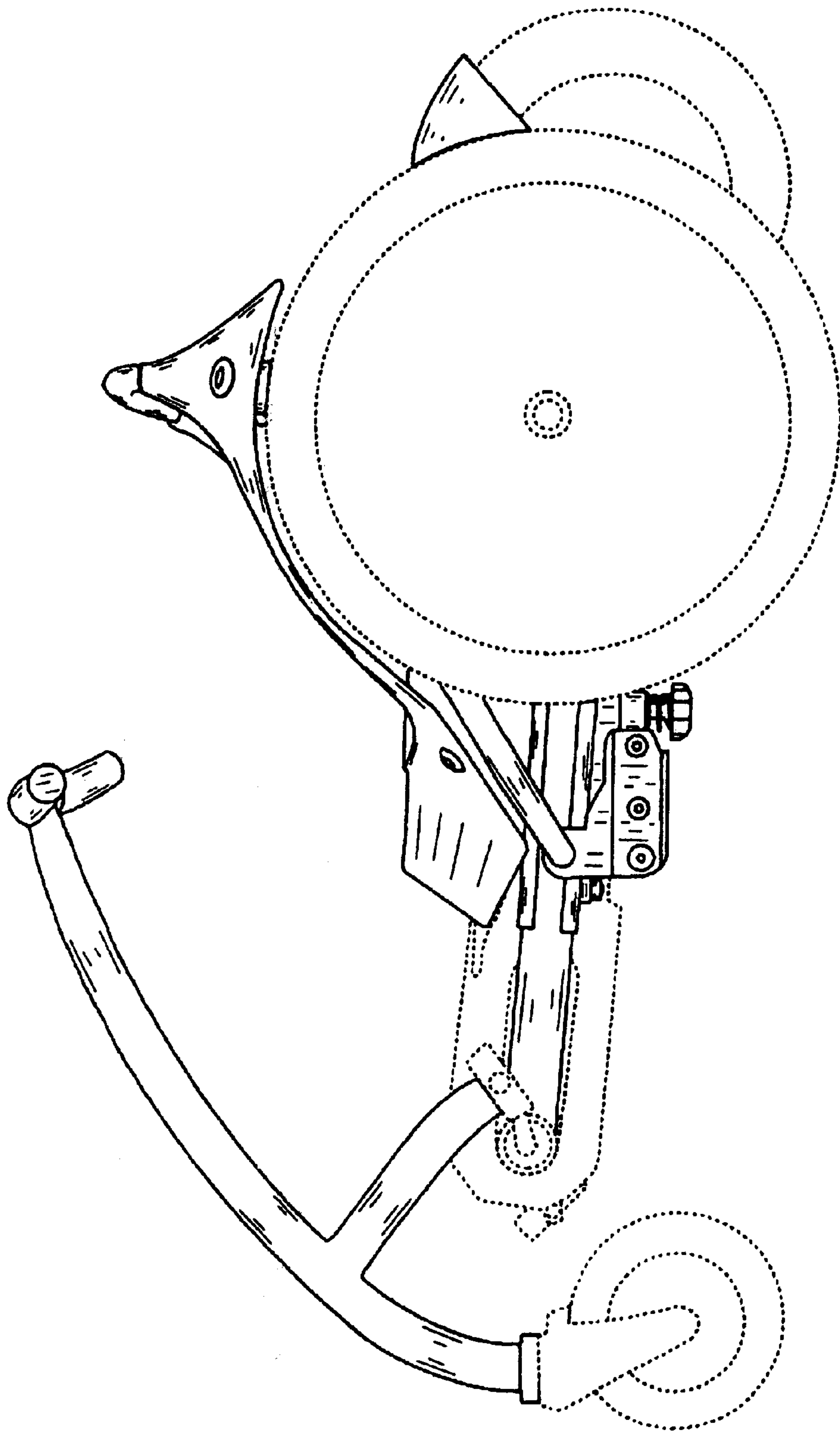


Fig. 3

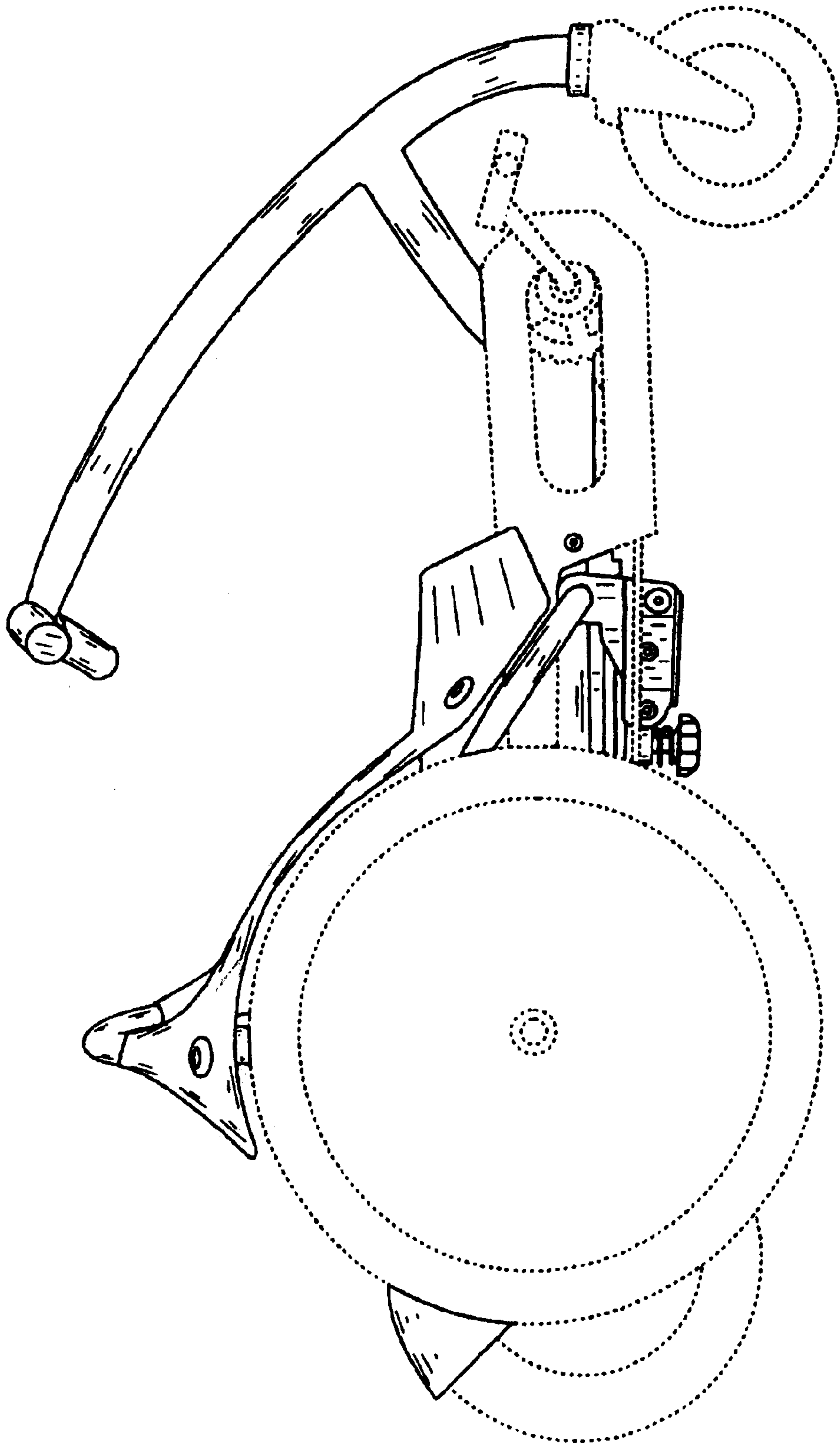


Fig. 4



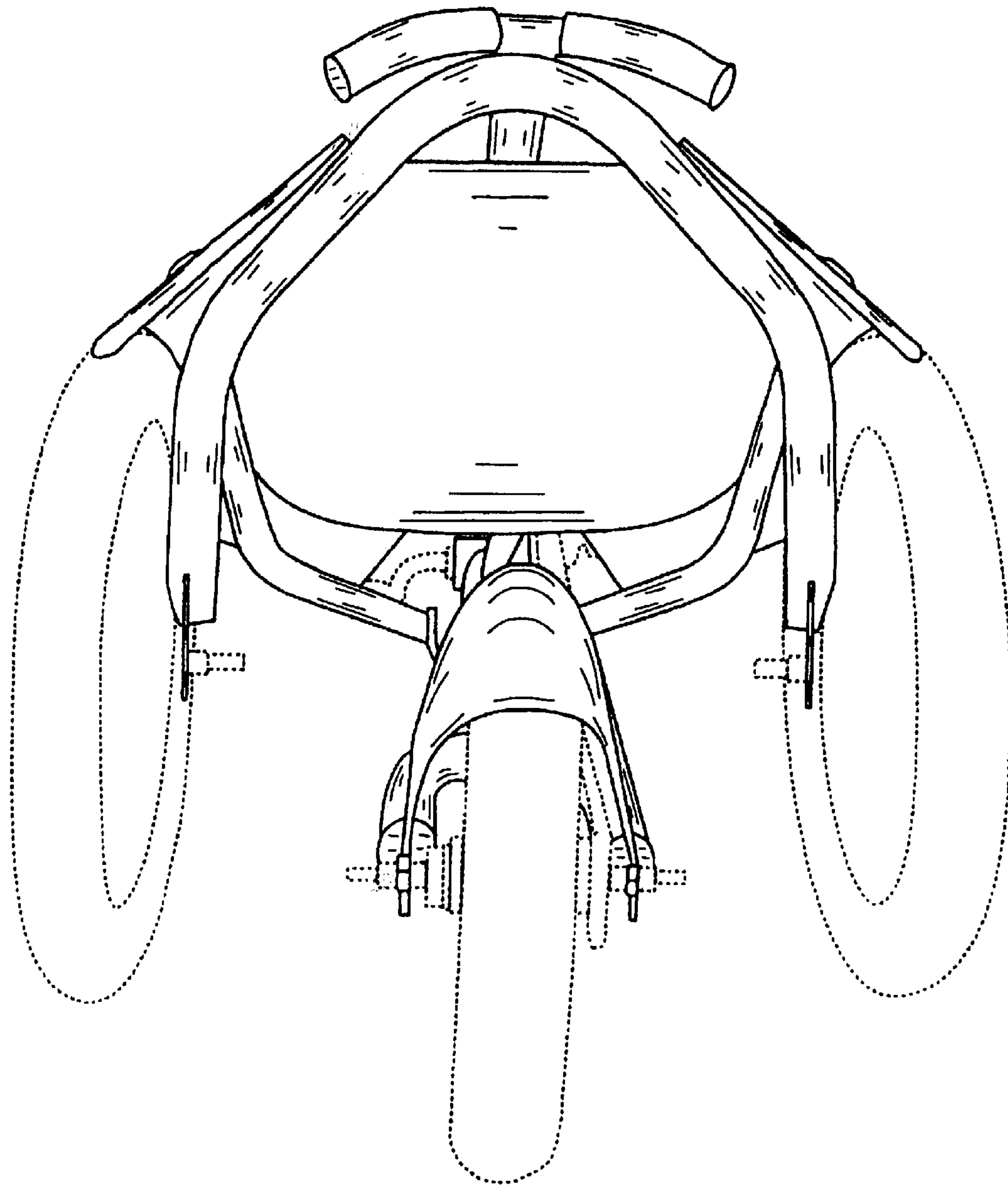


Fig. 5

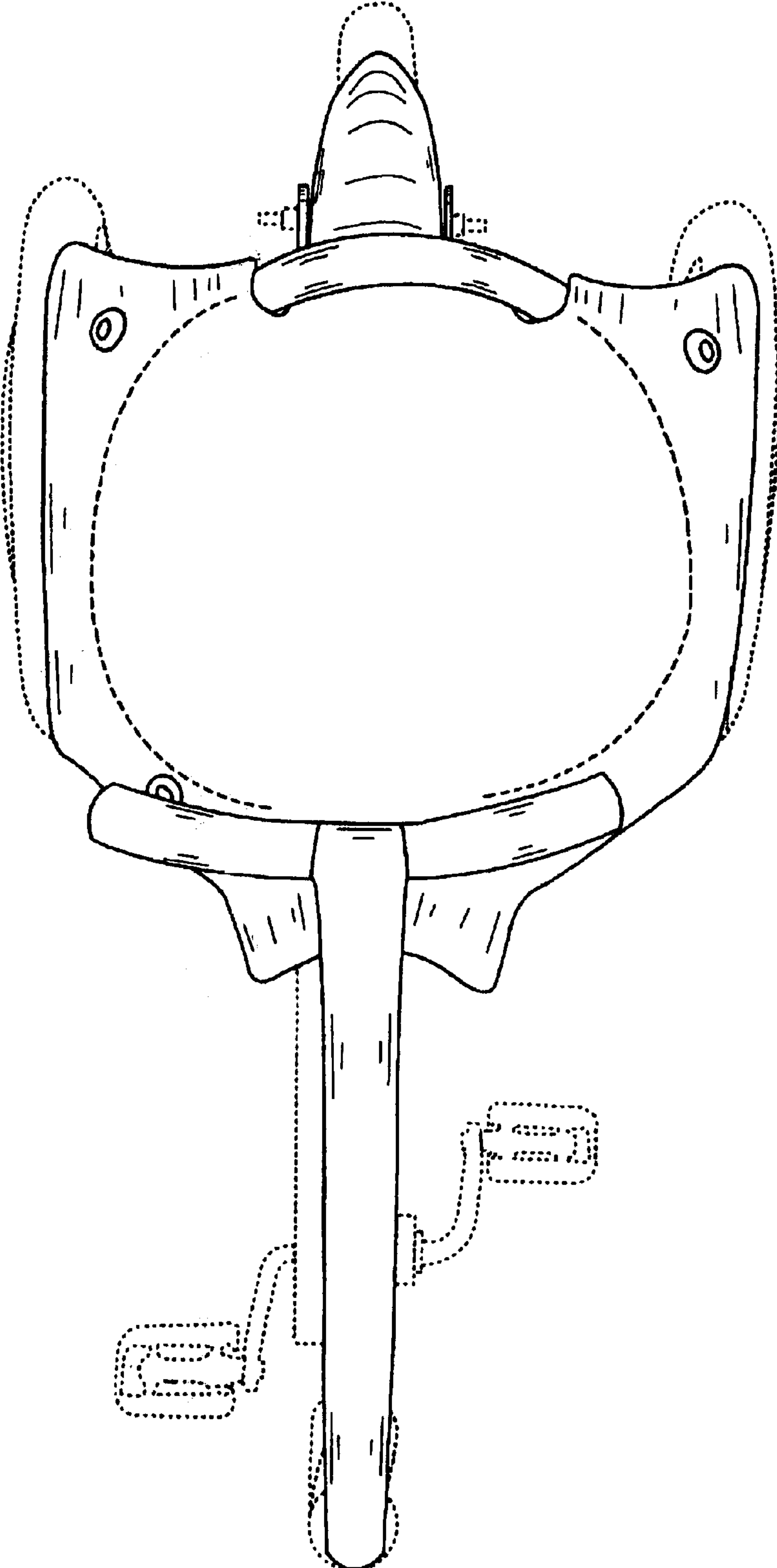


Fig. 6

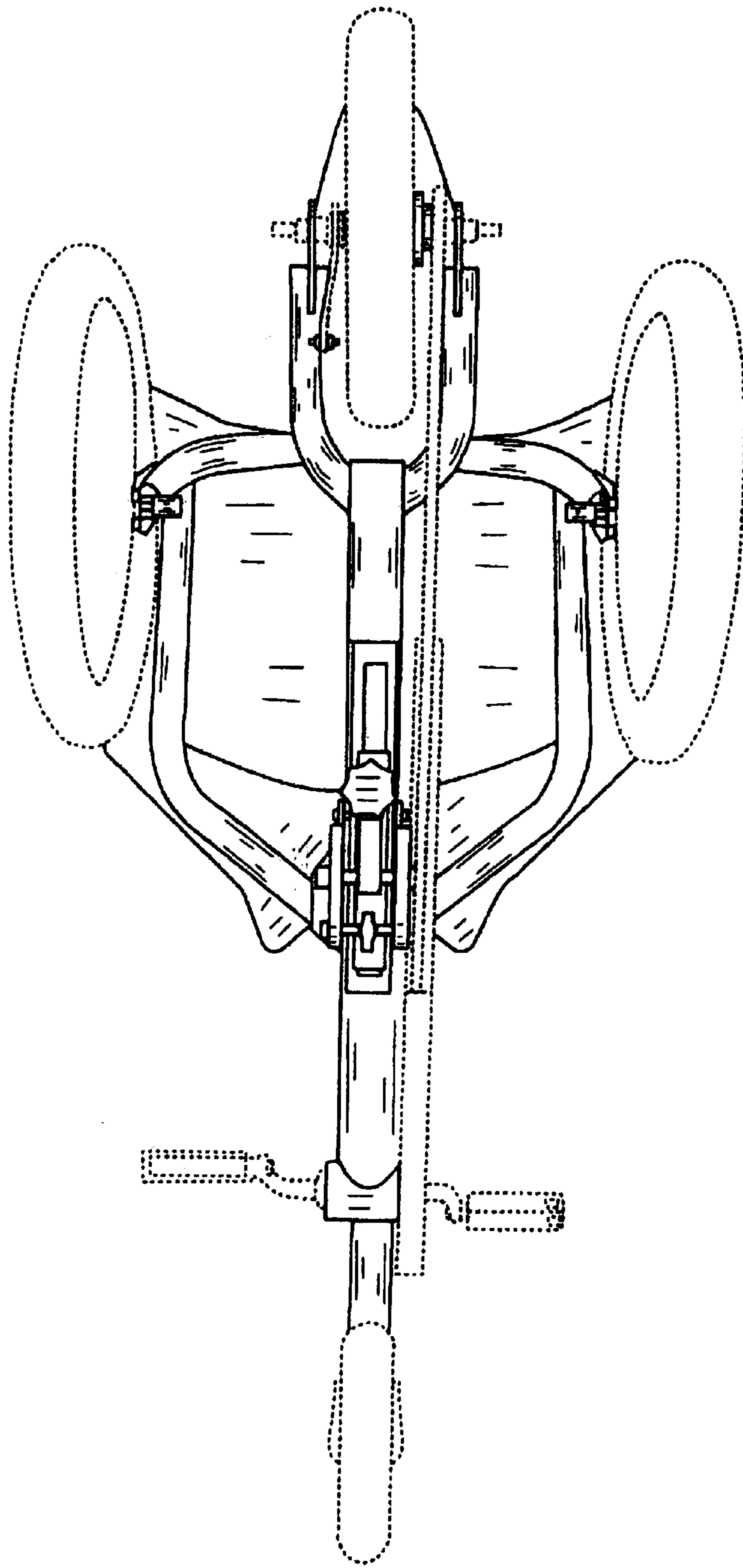


Fig. 7