

US00D528942S

(12) **United States Design Patent**
Tartamella

(10) **Patent No.:** **US D528,942 S**

(45) **Date of Patent:** **** Sep. 26, 2006**

(54) **INSPIRATIONAL NOVELTY ITEM**

(76) **Inventor:** **Dawn Tartamella**, 8 B Leary Ave.,
Bloomington, NJ (US) 07403

(**) **Term:** **14 Years**

(21) **Appl. No.:** **29/243,958**

(22) **Filed:** **Dec. 5, 2005**

(51) **LOC (8) Cl.** **11-02**

(52) **U.S. Cl.** **D11/160; D20/32; D11/102**

(58) **Field of Classification Search** D11/49,
D11/53-55, 81-83, 101, 102, 105, 133, 134,
D11/136, 158, 160, 165, 166, 173, 174, 175,
D11/181, 182; D20/10, 12, 23, 24, 25, 29,
D20/30-32; D21/621-623, 627, 630, 659;
428/7, 15, 16, 31, 542.2, 542.4, 913.3; 40/218,
40/1, 1.5, 538, 584, 586, 600, 416, 591, 593,
40/616; 116/173

See application file for complete search history.

(56) **References Cited**

U.S. PATENT DOCUMENTS

D126,826 S	*	4/1941	Lane	D9/624
D254,891 S	*	5/1980	Mills	D6/599
4,215,388 A	*	7/1980	Reimann	362/104
4,352,461 A	*	10/1982	Orta et al.	239/211
D271,052 S		10/1983	Qually		
D297,750 S	*	9/1988	Loudenslager	D21/623
4,864,757 A	*	9/1989	Lovett	40/610

5,083,770 A		1/1992	Holland		
D331,628 S		12/1992	Dodson et al.		
D343,871 S		2/1994	Baron et al.		
D383,209 S		9/1997	Duran		
D393,331 S	*	4/1998	Hester	D28/67
D399,446 S	*	10/1998	Stillwell	D10/109
D407,118 S	*	3/1999	Whitten	D20/10
D415,568 S		10/1999	Bernd		
D442,650 S	*	5/2001	Allen	D21/595
D510,755 S	*	10/2005	Knowles	D21/660
D512,468 S	*	12/2005	Sittser	D21/621

* cited by examiner

Primary Examiner—Catherine Tuttle

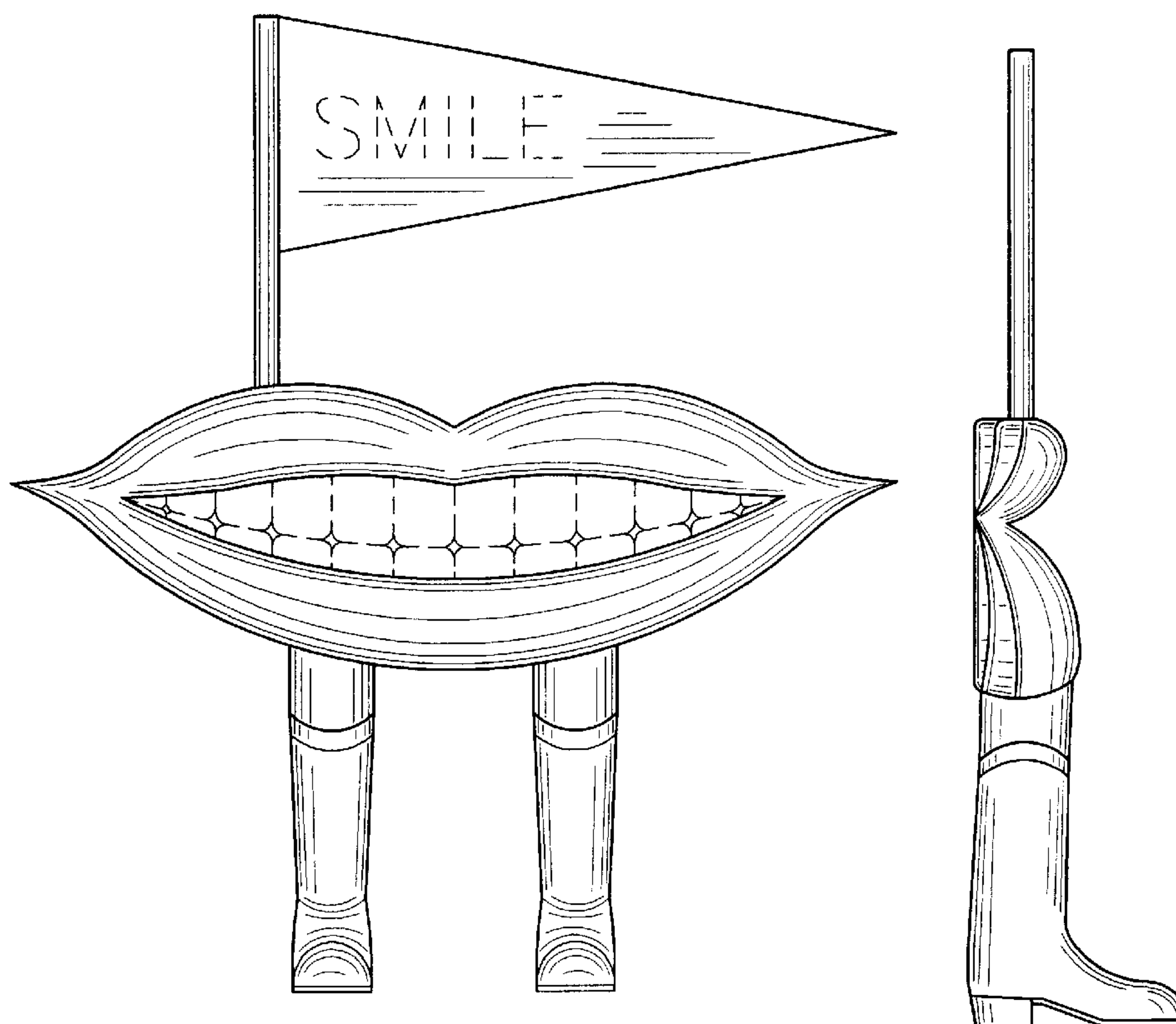
(57) **CLAIM**

The ornamental design for an inspirational novelty item, as shown and described.

DESCRIPTION

FIG. 1 is a front elevational view of an inspirational novelty item showing my new design;
FIG. 2 is a rear elevational view thereof;
FIG. 3 is a right side elevational view thereof;
FIG. 4 is a left side elevational view thereof;
FIG. 5 is a top plan view thereof; and,
FIG. 6 is a bottom plan view thereof.
The features shown in broken lines are for illustrative purposes only and form no part of the claimed design.

1 Claim, 2 Drawing Sheets



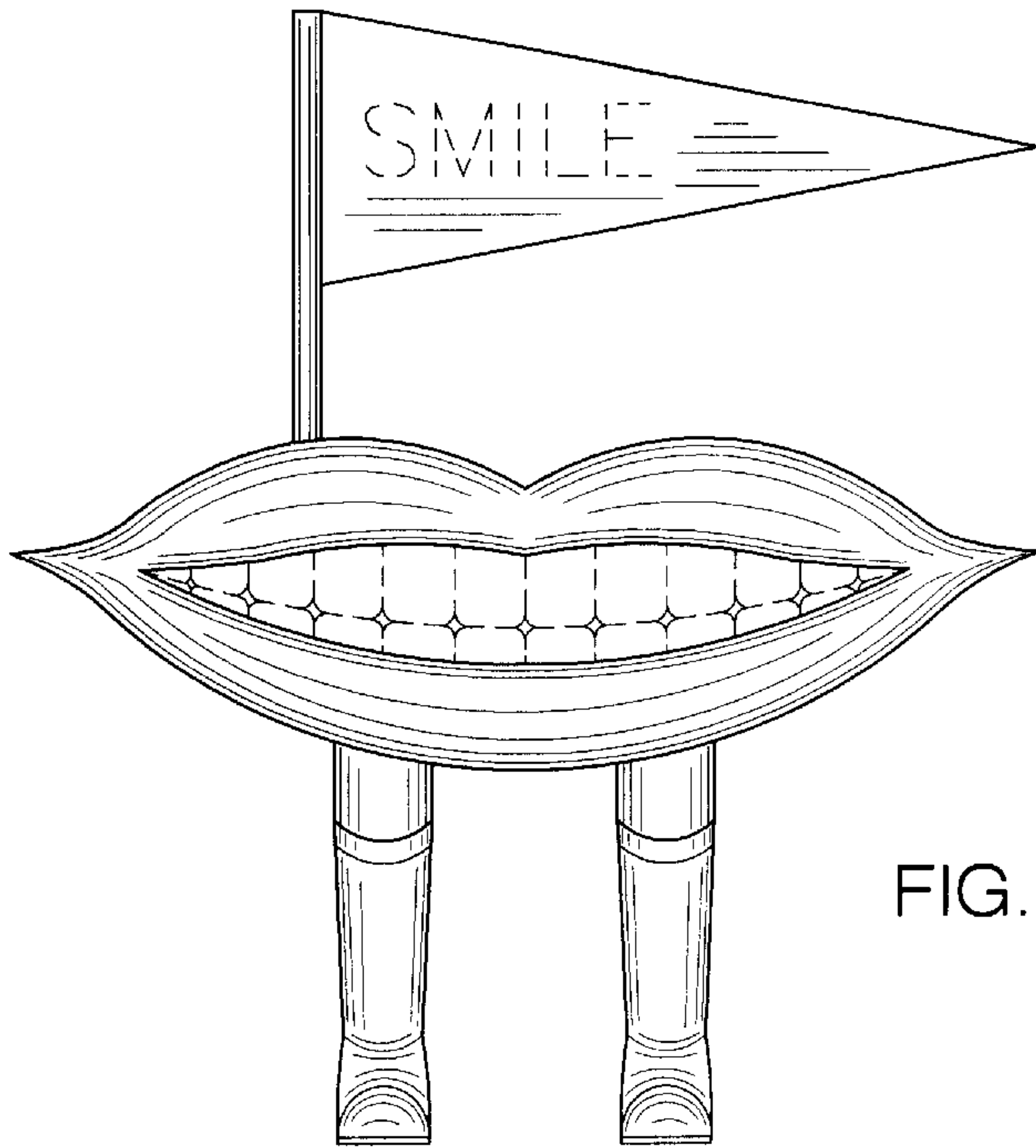


FIG. 1

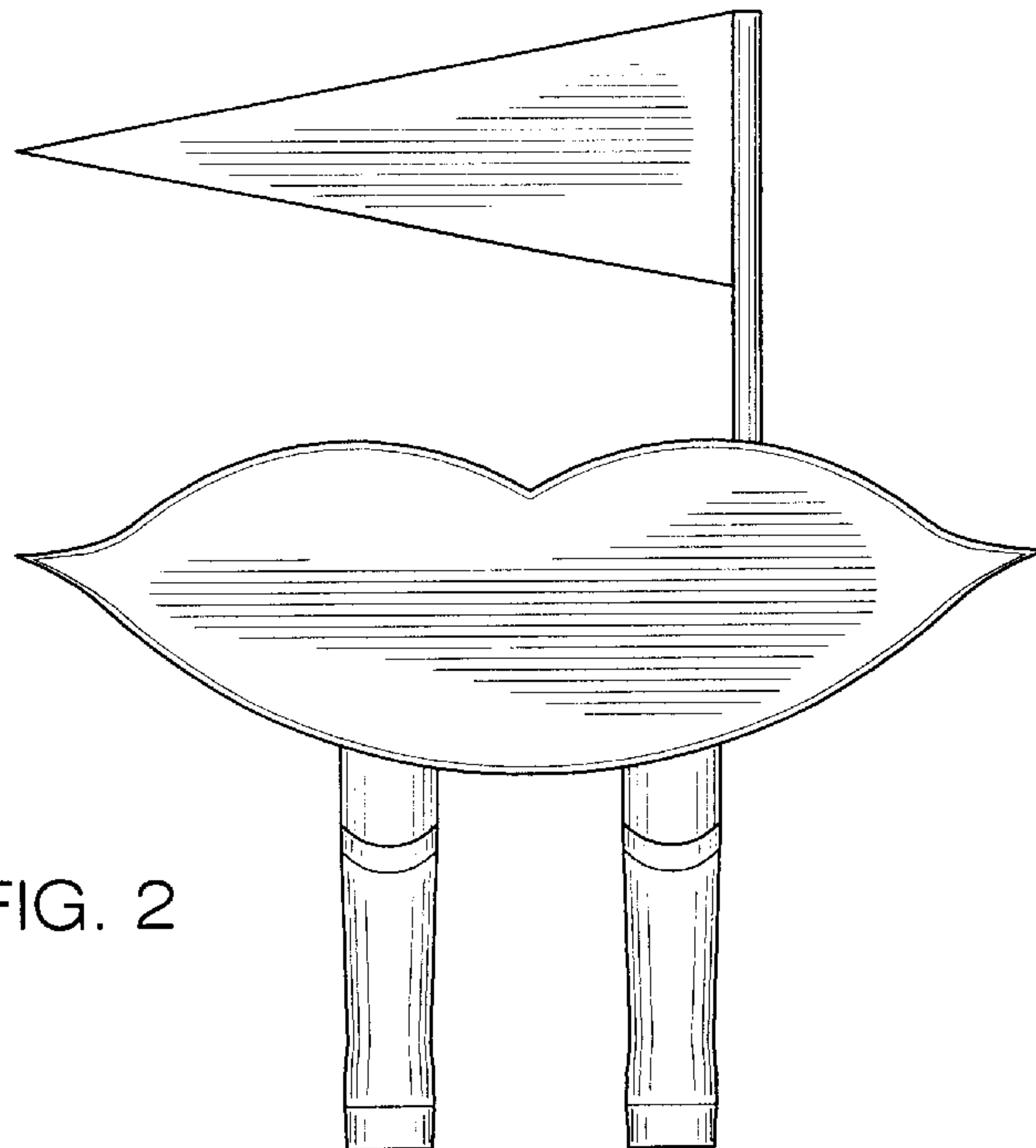


FIG. 2

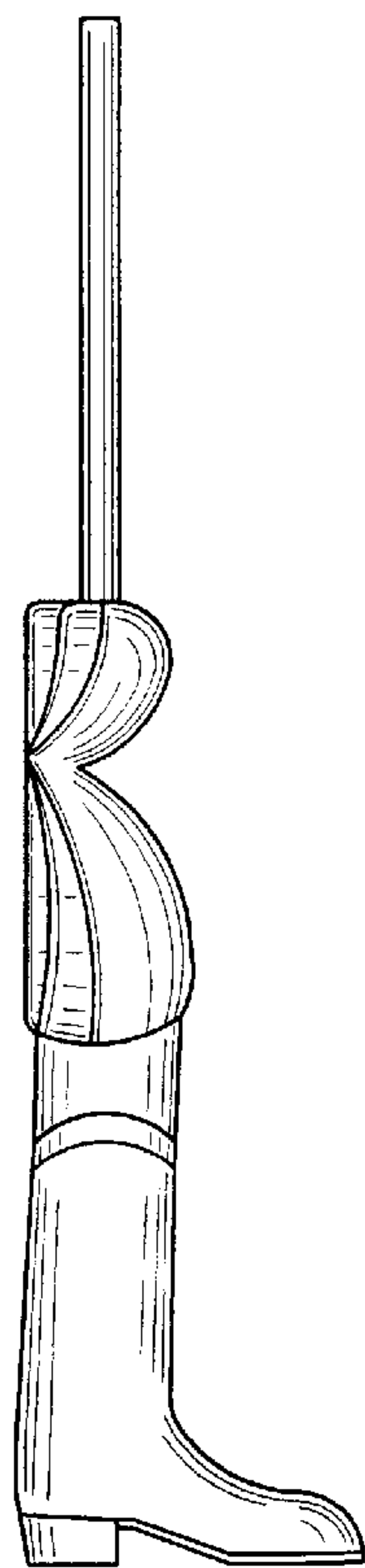


FIG. 3

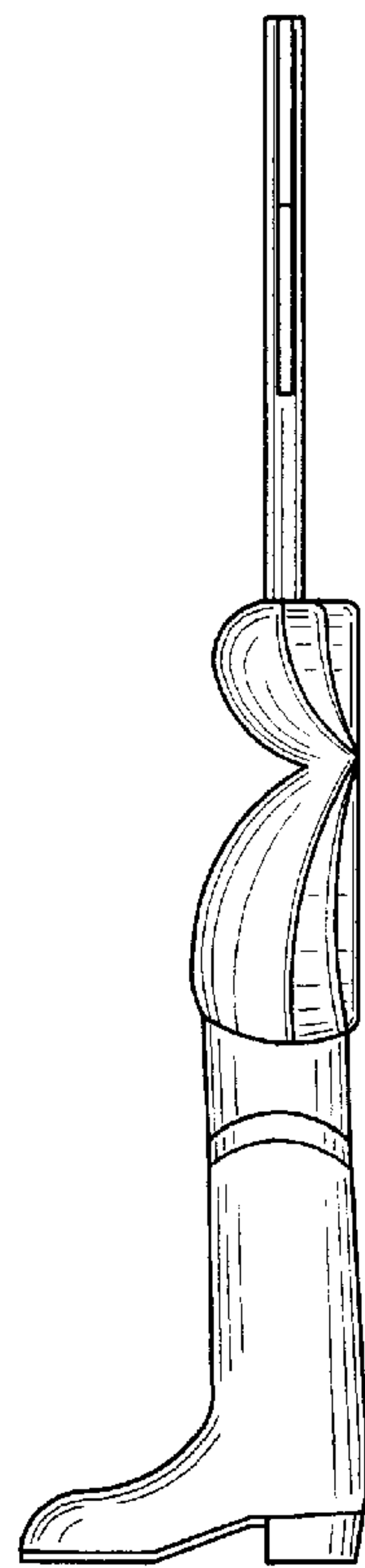


FIG. 4

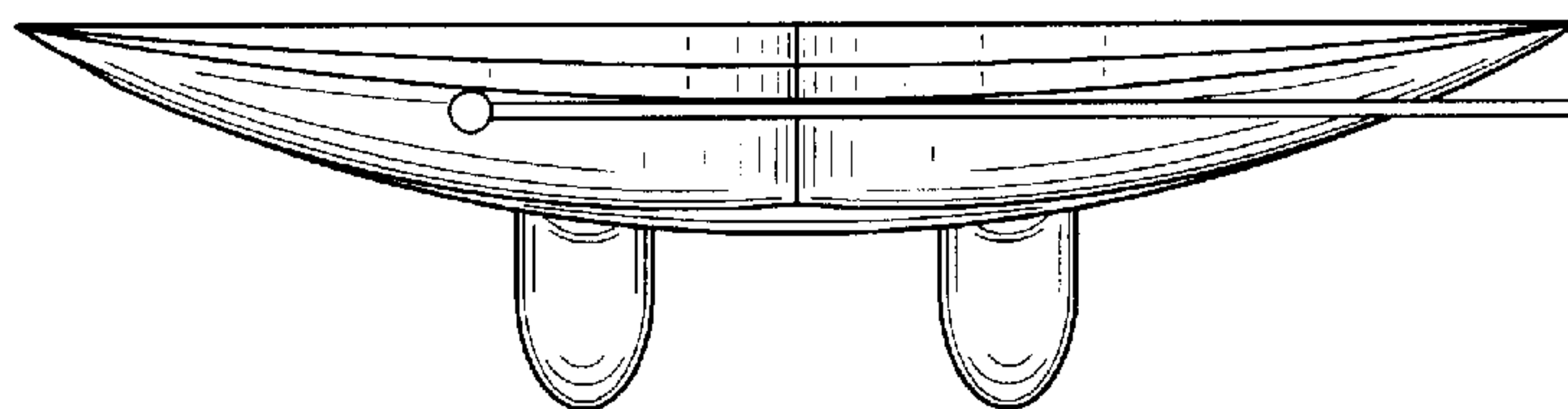


FIG. 5

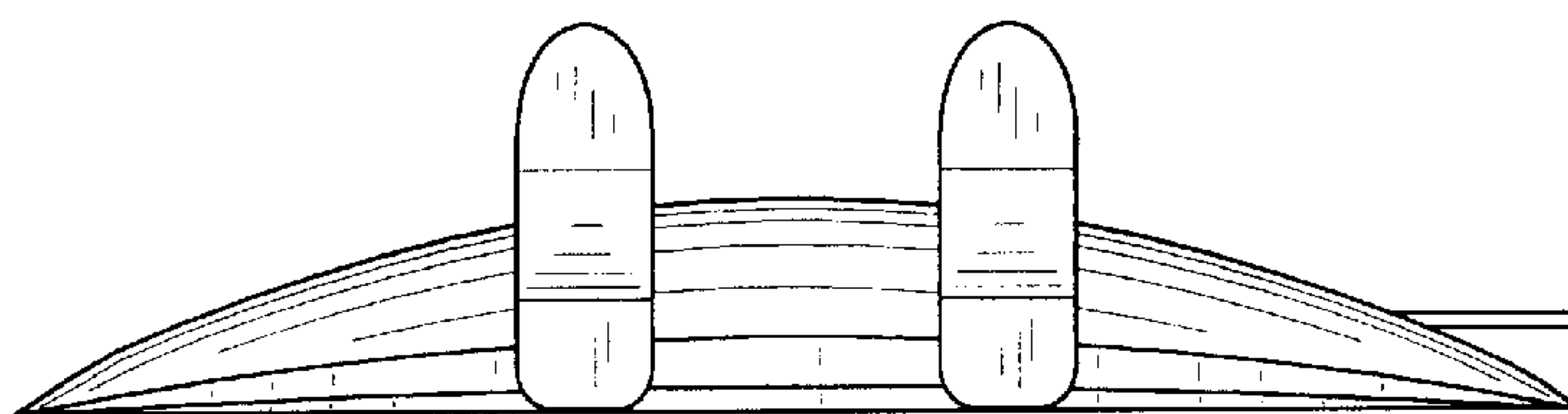


FIG. 6