



US00D528936S

(12) **United States Design Patent**
Kuskovsky et al.

(10) **Patent No.:** **US D528,936 S**

(45) **Date of Patent:** **** Sep. 26, 2006**

- (54) **WEIGHING SCALE**
- (75) Inventors: **Mark Kuskovsky**, Florham Park, NJ (US); **David Carroll Stowers**, Morristown, NJ (US); **James Christopher Wightman**, Livingston, NJ (US)
- (73) Assignee: **Measurement Ltd.**
- (**) Term: **14 Years**
- (21) Appl. No.: **29/229,408**
- (22) Filed: **May 6, 2005**
- (51) **LOC (8) Cl.** **10-04**
- (52) **U.S. Cl.** **D10/92**
- (58) **Field of Classification Search** D10/92;
177/4, 25.12-25.16, 177, 199, 210 R, 238-245,
177/DIG. 3; 324/692; 600/506, 547
See application file for complete search history.

- D335,465 S 5/1993 Garrison, III
- D336,735 S 6/1993 Nulsen
- D337,730 S 7/1993 Rosenfeld
- D338,839 S 8/1993 Akins
- D349,659 S 8/1994 Huang
- D352,252 S 11/1994 Huang
- D361,950 S 9/1995 Mascio
- D366,845 S 2/1996 Handfield et al.
- D366,846 S 2/1996 Handfield et al.
- D367,432 S 2/1996 Handfield
- 5,640,776 A 6/1997 Krauss
- D390,140 S 2/1998 Germanton
- D395,835 S 7/1998 Okuyama et al.
- D402,997 S 12/1998 Campbell et al.
- D409,509 S 5/1999 Petrucelli et al.
- D409,931 S 5/1999 Petrucelli et al.
- D414,126 S * 9/1999 Kurata et al. D10/92
- D419,085 S 1/2000 Prus
- D420,299 S 2/2000 Jahn
- D427,092 S 6/2000 Wu
- D427,093 S 6/2000 Wu
- D440,893 S 4/2001 Van Zeyl
- D440,894 S 4/2001 Van Zeyl
- D440,895 S 4/2001 Van Zeyl

(56) **References Cited**

(Continued)

U.S. PATENT DOCUMENTS

- D247,429 S 3/1978 Teal
- D259,863 S 7/1981 Eller
- D280,215 S 8/1985 Huang
- D286,270 S 10/1986 Huang
- 4,645,980 A 2/1987 Yang
- D294,229 S 2/1988 Bonazzi
- 4,748,845 A 6/1988 Rocco et al.
- 4,782,448 A 11/1988 Milstein
- D300,729 S 4/1989 Skaggs et al.
- 4,827,764 A 5/1989 Hwang
- 4,916,944 A 4/1990 Ho-Chuan
- 4,924,697 A 5/1990 Hunt et al.
- D314,159 S 1/1991 O'Connor
- 4,998,438 A 3/1991 Martin
- D316,980 S 5/1991 Brinker et al.
- D317,880 S 7/1991 Meehan
- 5,033,296 A 7/1991 Huang
- D320,170 S 9/1991 Hwang
- D320,756 S 10/1991 Ohno et al.
- 5,117,684 A 6/1992 Hwang
- D331,371 S 12/1992 Weng

Primary Examiner—Antoine D. Davis
(74) *Attorney, Agent, or Firm*—Plevy, Howard & Darcy PC

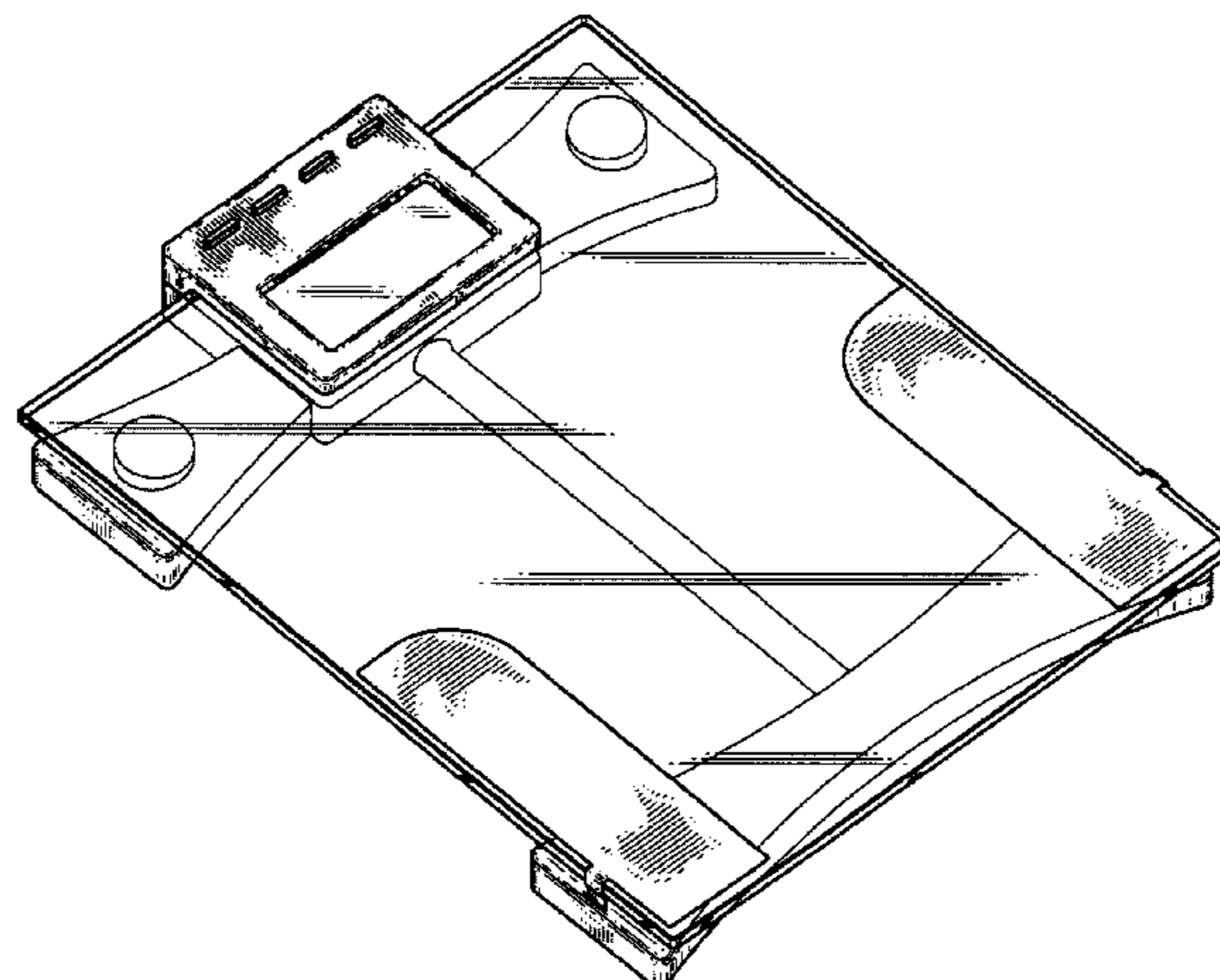
(57) **CLAIM**

The ornamental design for a weighing scale, as shown and described.

DESCRIPTION

FIG. 1 is an isometric view of a weighing scale showing our new design;
FIG. 2 is a top plan view thereof;
FIG. 3 is a bottom plan view thereof;
FIG. 4 is a right side elevational view thereof, a left side elevational view thereof being a mirror image;
FIG. 5 is a rear elevational view thereof; and,
FIG. 6 is a front elevational view thereof.
The matter shown in dashed lines is environmental structure and forms no part of the claimed design.

1 Claim, 5 Drawing Sheets



US D528,936 S

Page 2

U.S. PATENT DOCUMENTS

D441,674 S	5/2001	Van Zeyl	D493,115 S	*	7/2004	Juteau	D10/92
D447,970 S	9/2001	Cappiello et al.	D496,602 S		9/2004	Shipman	
D450,257 S	11/2001	Bressler et al.	D498,154 S		11/2004	Wang	
D455,361 S	4/2002	Super et al.	D501,146 S		1/2005	Durr et al.	
D455,666 S	4/2002	Cappiello et al.	D501,417 S		2/2005	Tseng	
D458,857 S	6/2002	Tseng	D501,418 S		2/2005	Wang	
D459,257 S	6/2002	Petrucelli	D502,214 S		2/2005	Davis et al.	
D459,668 S	7/2002	Petrucelli	D502,656 S		3/2005	Fujioka	
D460,704 S	7/2002	Peele	D502,734 S		3/2005	Davis et al.	
D462,627 S	9/2002	Petrucelli	D502,735 S		3/2005	Davis et al.	
D469,706 S	2/2003	Huang	D503,898 S		4/2005	Durr et al.	
D472,172 S	3/2003	Fujioka et al.	D504,630 S		5/2005	Wang	
D474,124 S	5/2003	Krieger et al.	D505,088 S		5/2005	Durr et al.	
D488,082 S	4/2004	Durr et al.	D505,871 S		6/2005	Little et al.	
D491,480 S	6/2004	Huang et al.	D505,872 S		6/2005	Durr et al.	
D492,608 S	7/2004	Fujioka	D506,154 S		6/2005	Cowan et al.	

* cited by examiner

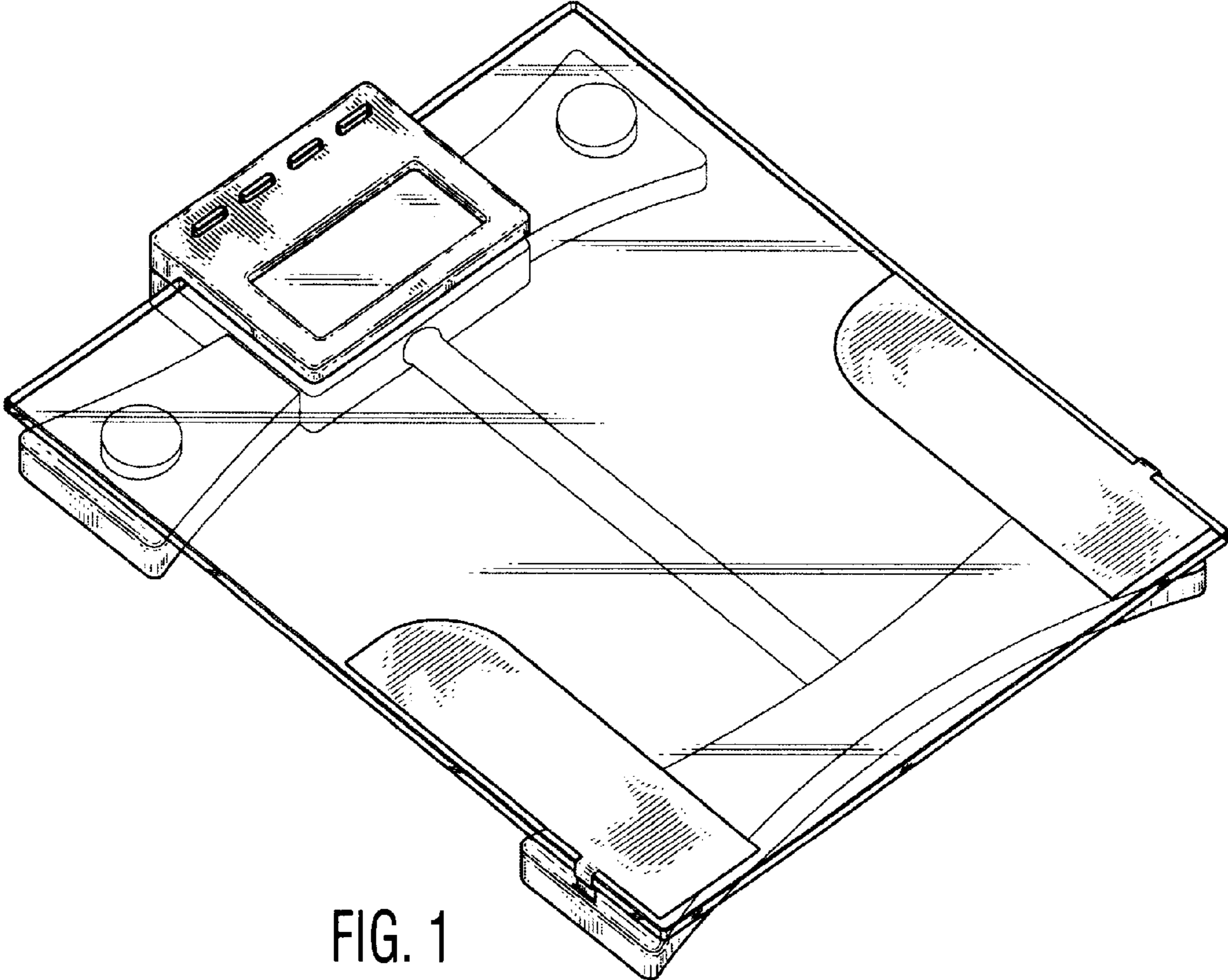


FIG. 1

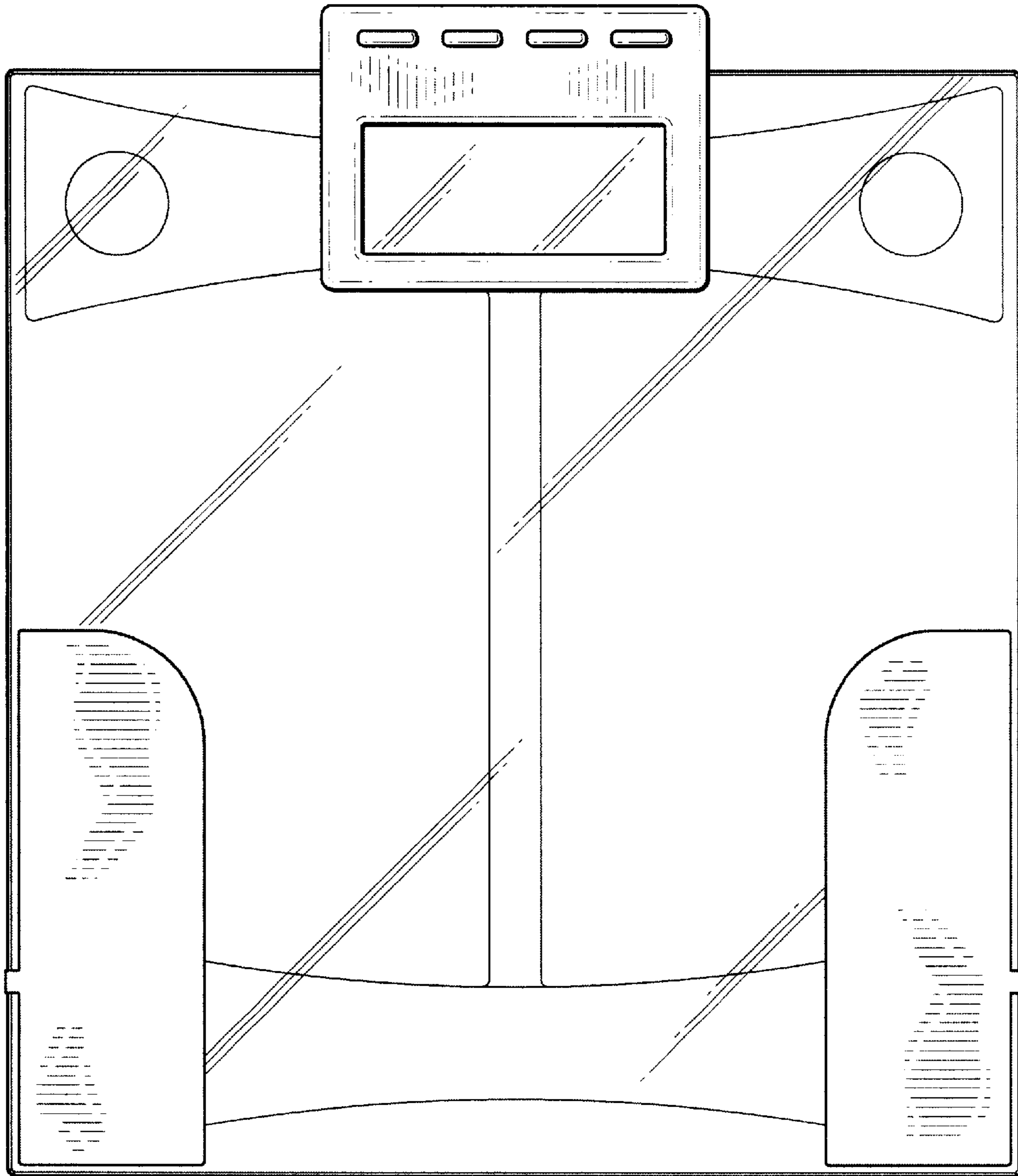


FIG. 2

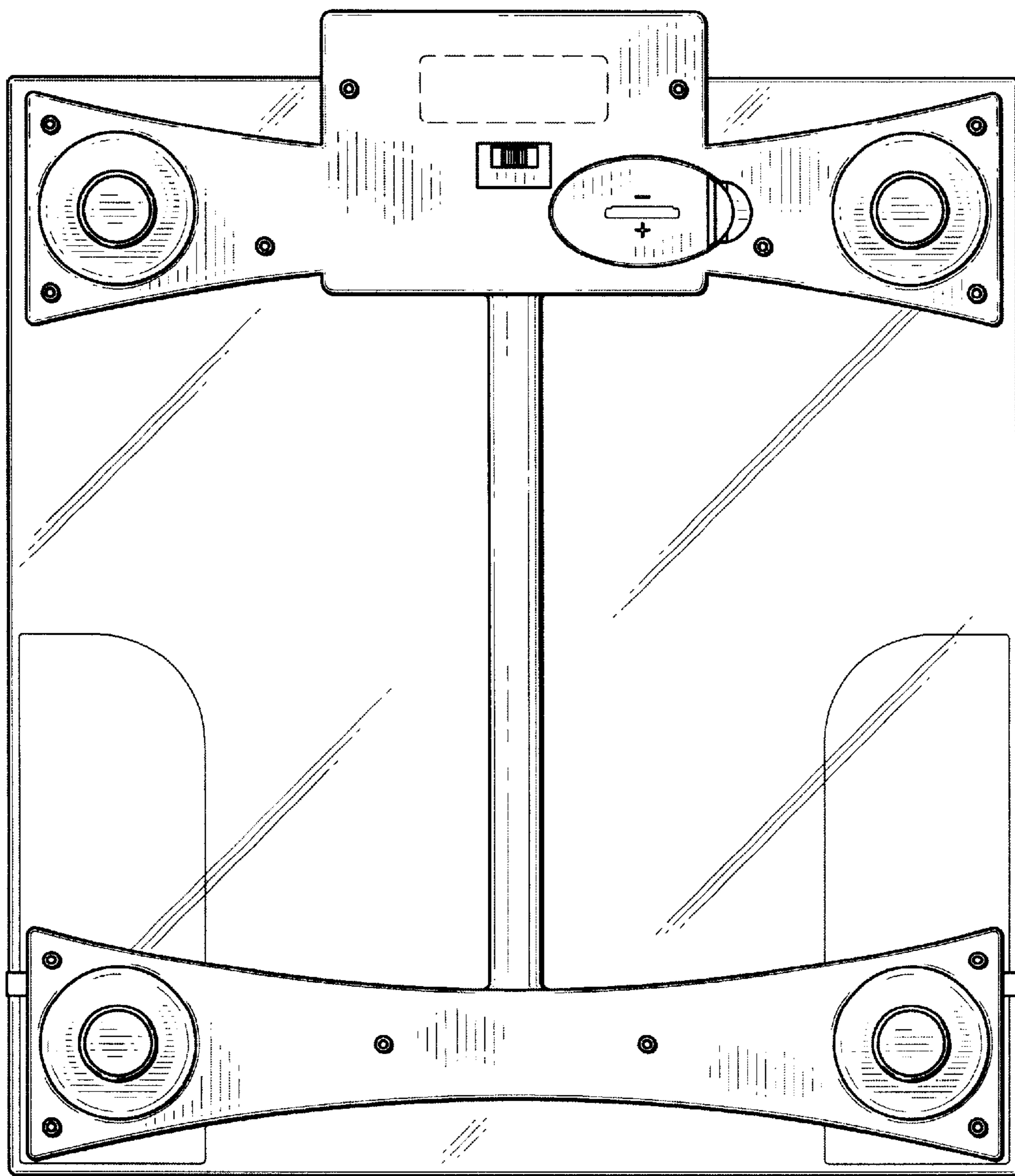


FIG. 3

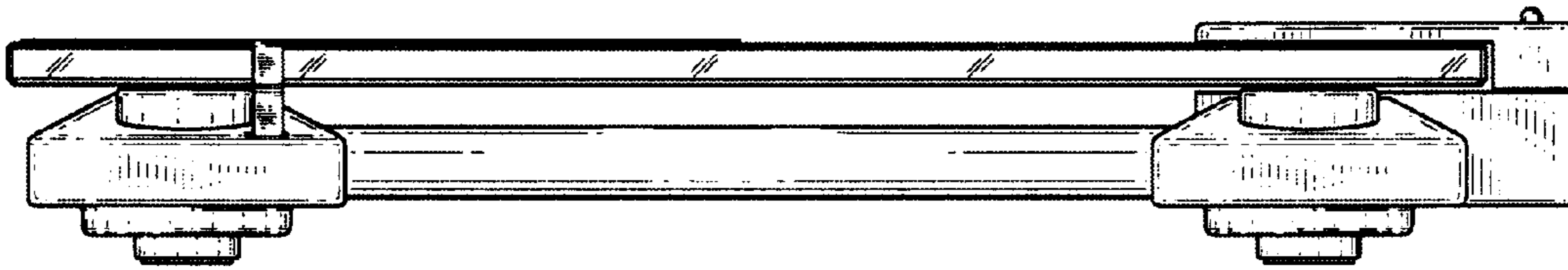


FIG. 4

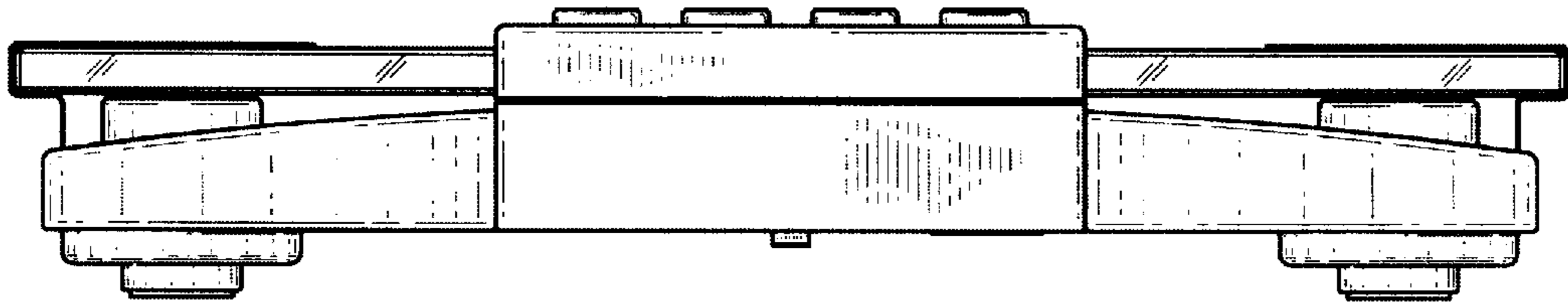


FIG. 5

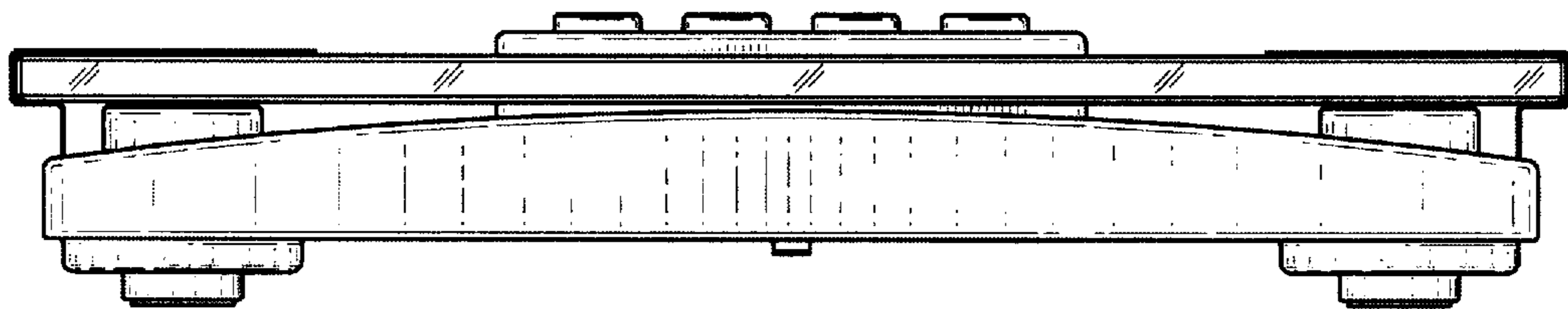


FIG. 6