



US00D528935S

(12) **United States Design Patent**  
**Cumbach**

(10) **Patent No.:** **US D528,935 S**

(45) **Date of Patent:** **\*\* Sep. 26, 2006**

(54) **BALANCE SCALE**

(75) Inventor: **James Stephen Cumbach**, Buckingham (GB)

(73) Assignee: **Adam Equipment Inc.**, Danbury, CT (US)

(\*\*) Term: **14 Years**

(21) Appl. No.: **29/237,804**

(22) Filed: **Sep. 7, 2005**

(51) **LOC (8) Cl.** ..... **10-04**

(52) **U.S. Cl.** ..... **D10/90**

(58) **Field of Classification Search** ..... D10/90;  
177/190-200, 238-243, 246-252  
See application file for complete search history.

(56) **References Cited**

**U.S. PATENT DOCUMENTS**

D263,285 S \* 3/1982 Strathman ..... D10/90  
D263,286 S \* 3/1982 Strathman ..... D10/90

**OTHER PUBLICATIONS**

Advertising Literature, Adam Mechanical, AQ Balances, Aug. 2001 (1 page).

Advertising Literature, OHAUS, Triple Beam, Mechanical Balances, 2001, (2 pages).

Advertising Literature, Salter Brecknell, Triple Beam Pan Balance, Dec. 2003, (2 pages).

Advertising Literature, Old School, My Weigh, 3 Beam Balance, (1 page).

\* cited by examiner

*Primary Examiner*—Antoine D. Davis

(74) *Attorney, Agent, or Firm*—St. Onge Steward

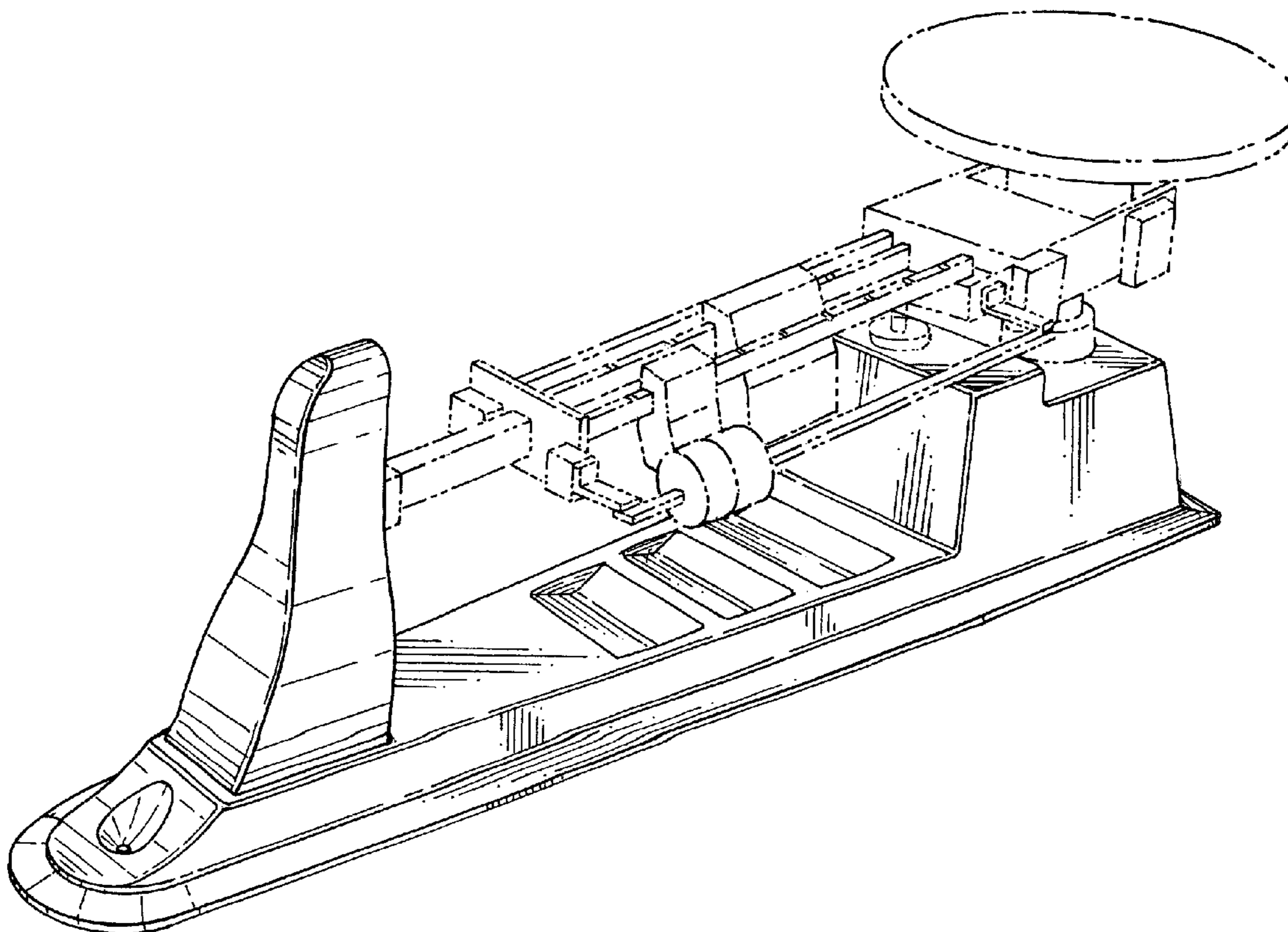
(57) **CLAIM**

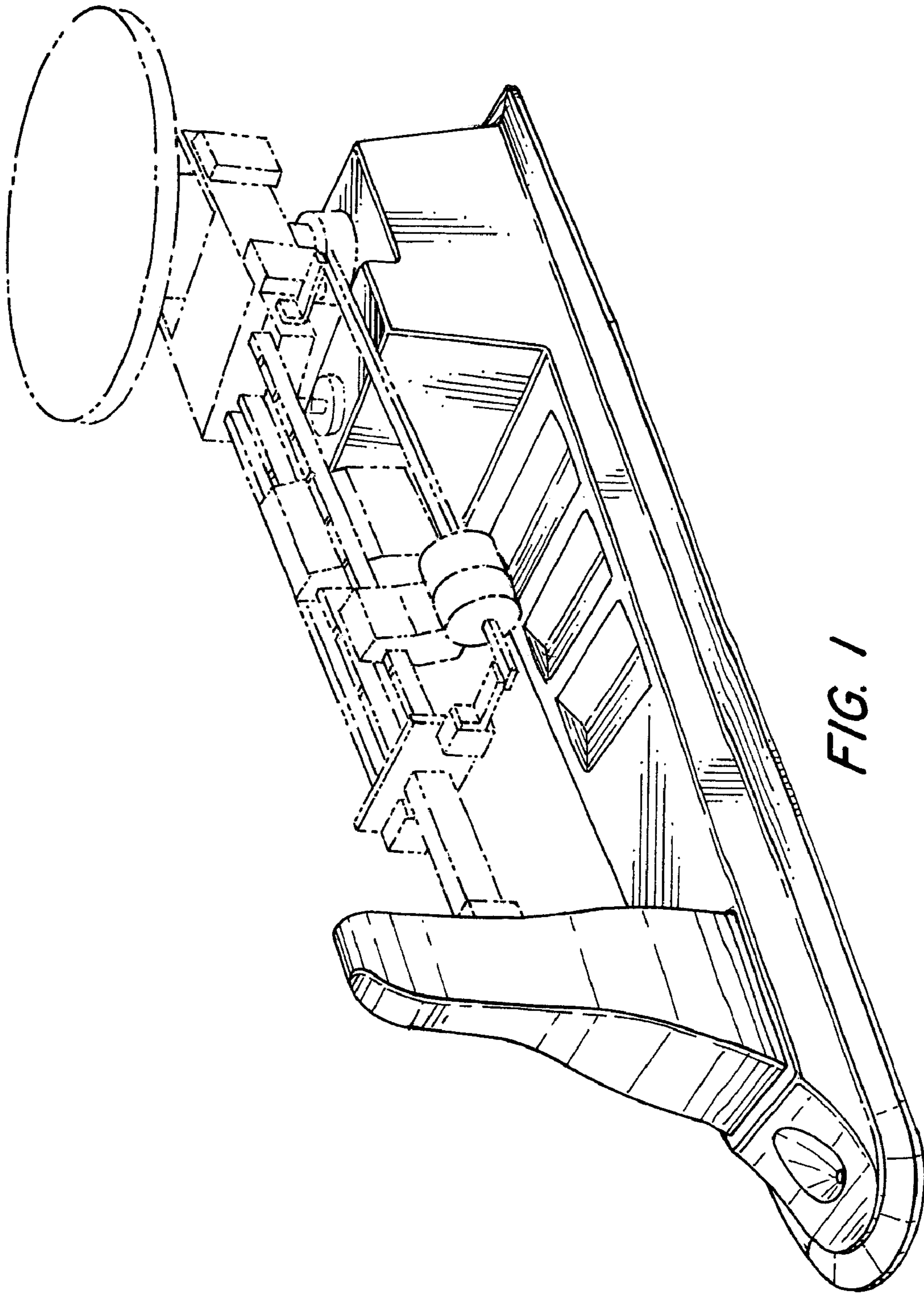
The ornamental design for balance scale, as shown and described.

**DESCRIPTION**

FIG. 1 is a side perspective view of a balance scale incorporating the scale in accordance with the new design; FIG. 2 is a side perspective view thereof; FIG. 3 is a top plan view thereof; FIG. 4 is a left side elevational view thereof; FIG. 5 is a right side elevational view thereof; FIG. 6 is a front elevational view thereof; FIG. 7 is a rear elevational view thereof; FIG. 8 is a bottom plan view thereof; and, FIG. 9 is a left side partly cross elevational view thereof. The broken line showing is for illustrative purposes only and forms no part of the claimed design.

**1 Claim, 5 Drawing Sheets**





*FIG. 1*

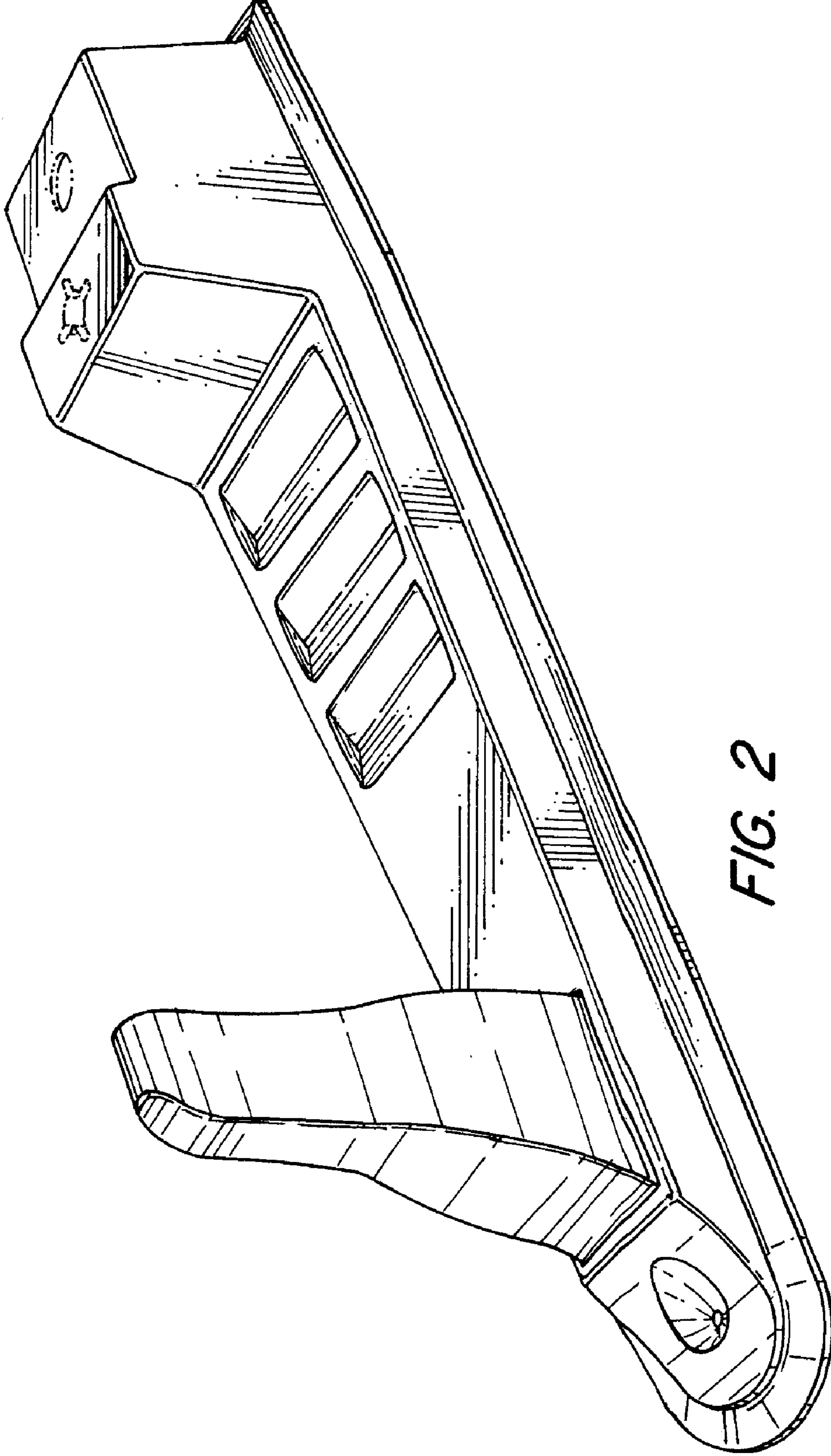
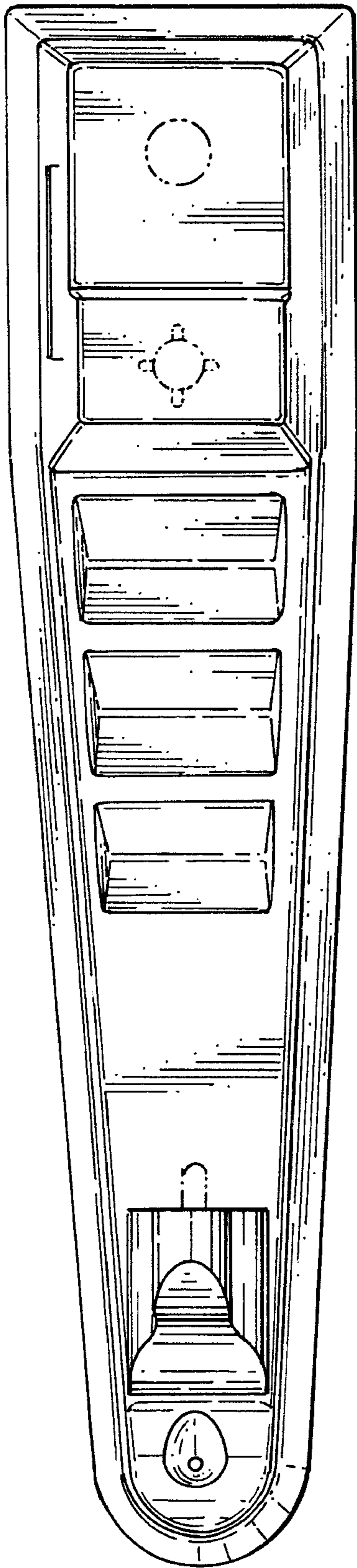


FIG. 2



*FIG. 3*



*FIG. 4*

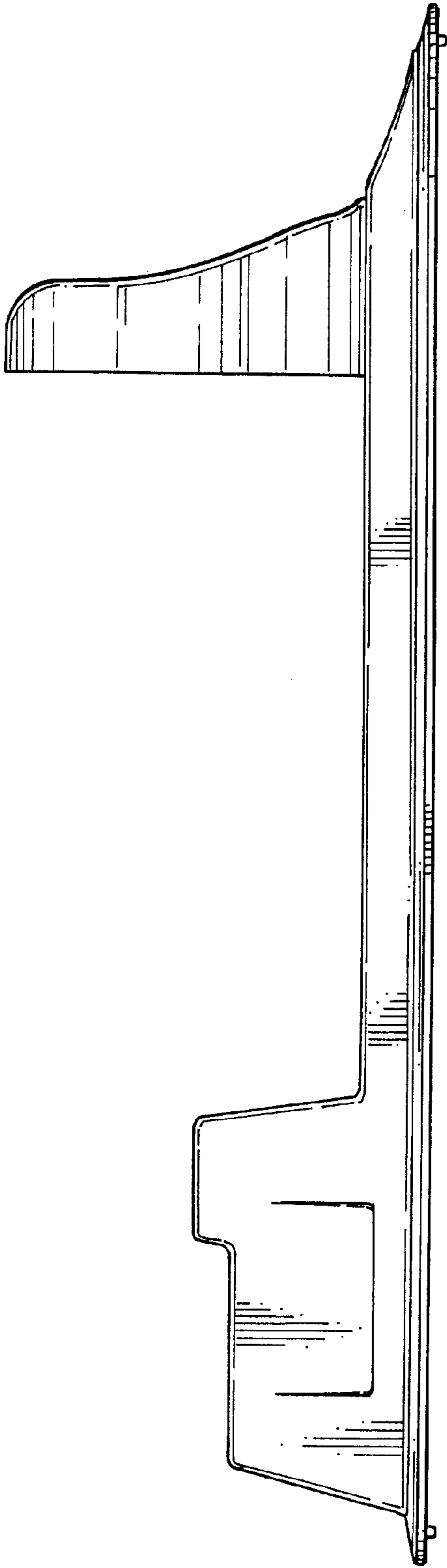


FIG. 5

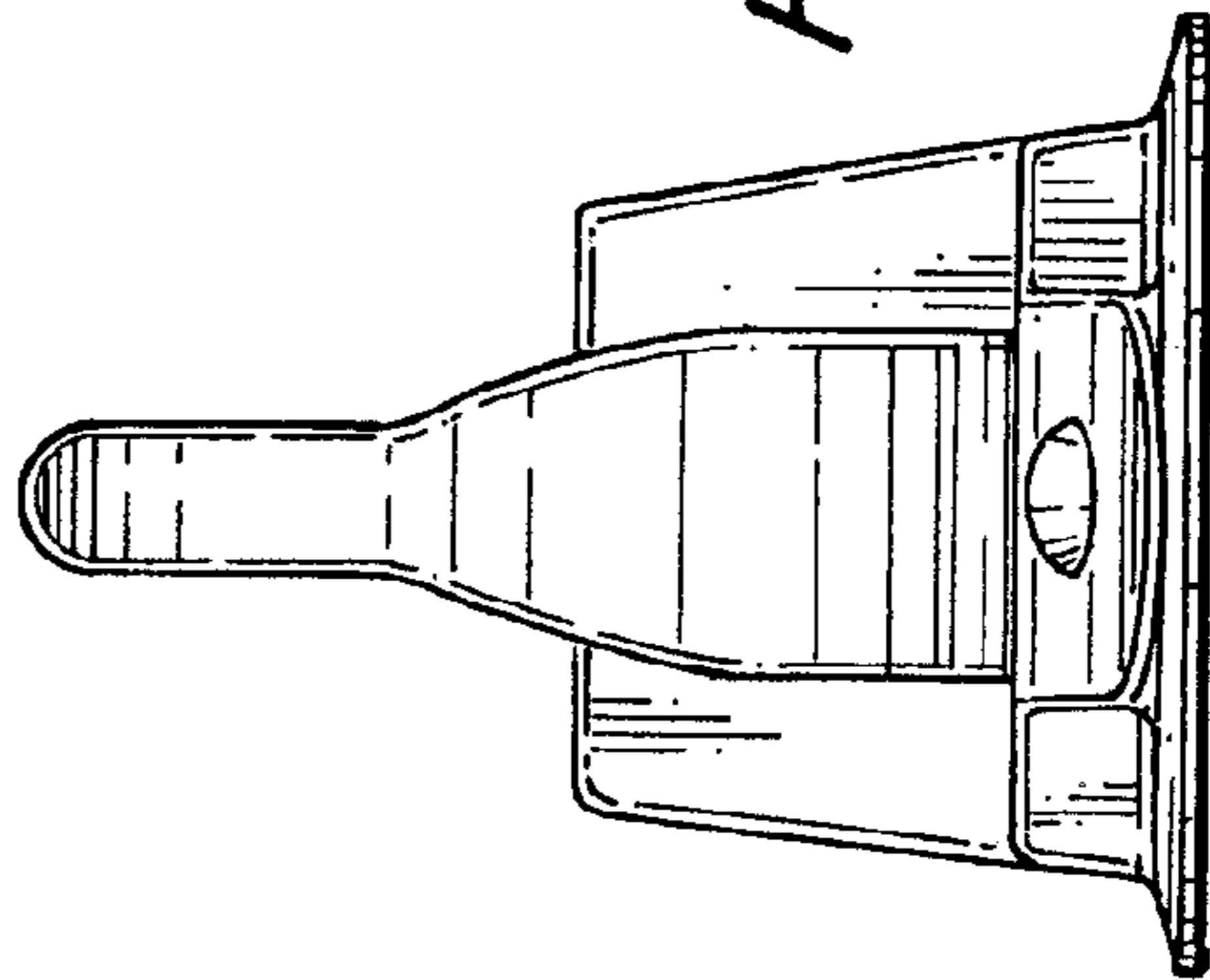


FIG. 6

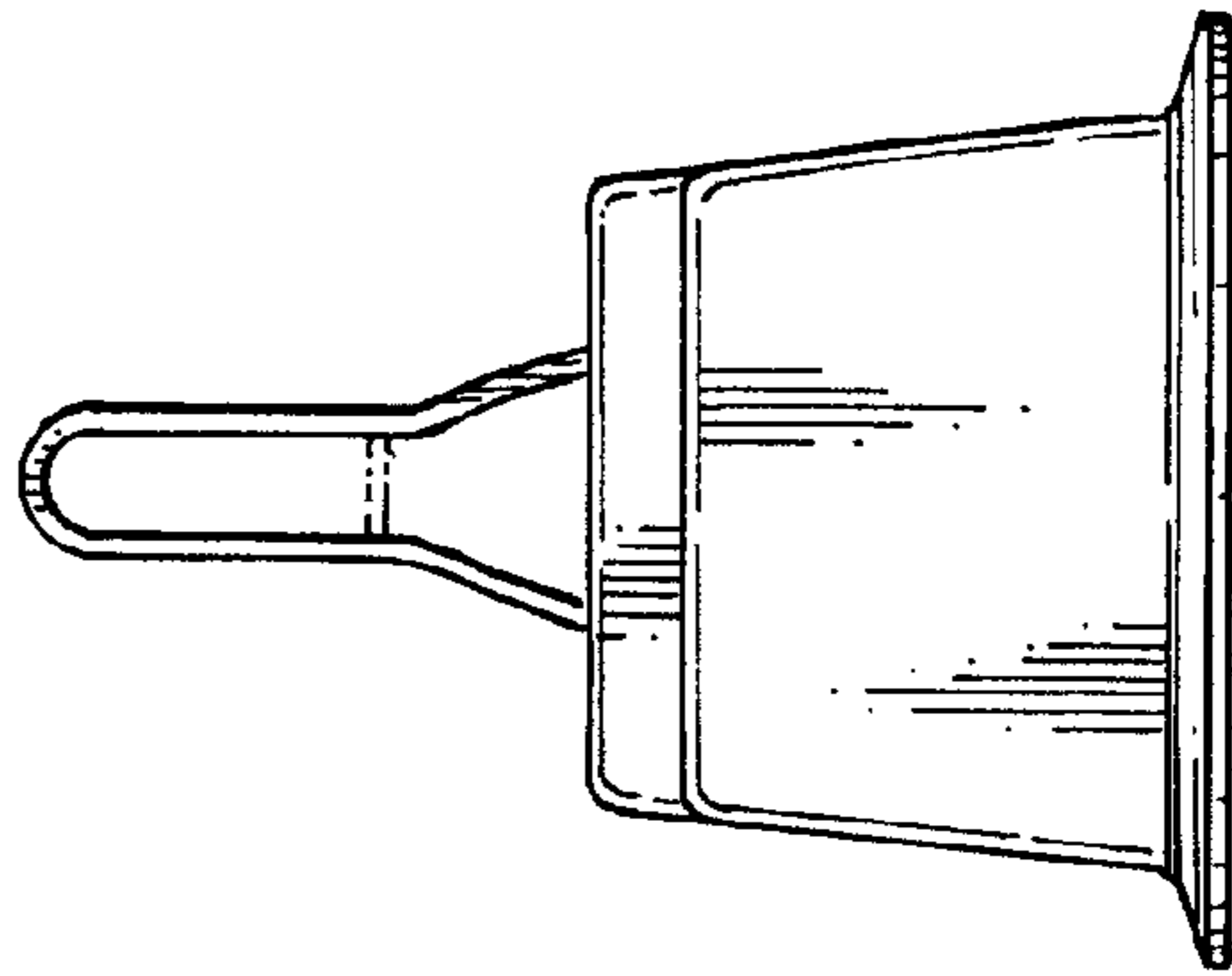


FIG. 7

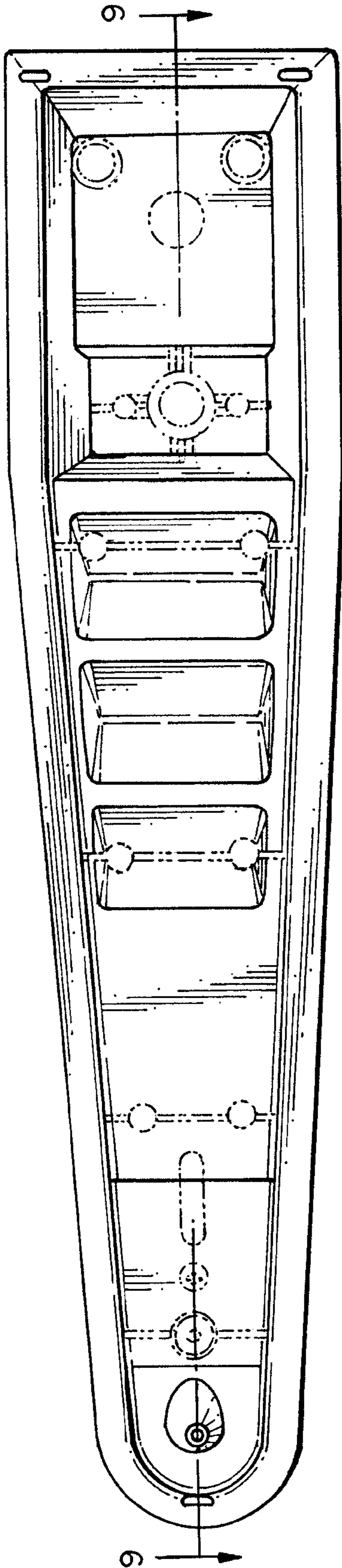


FIG. 8

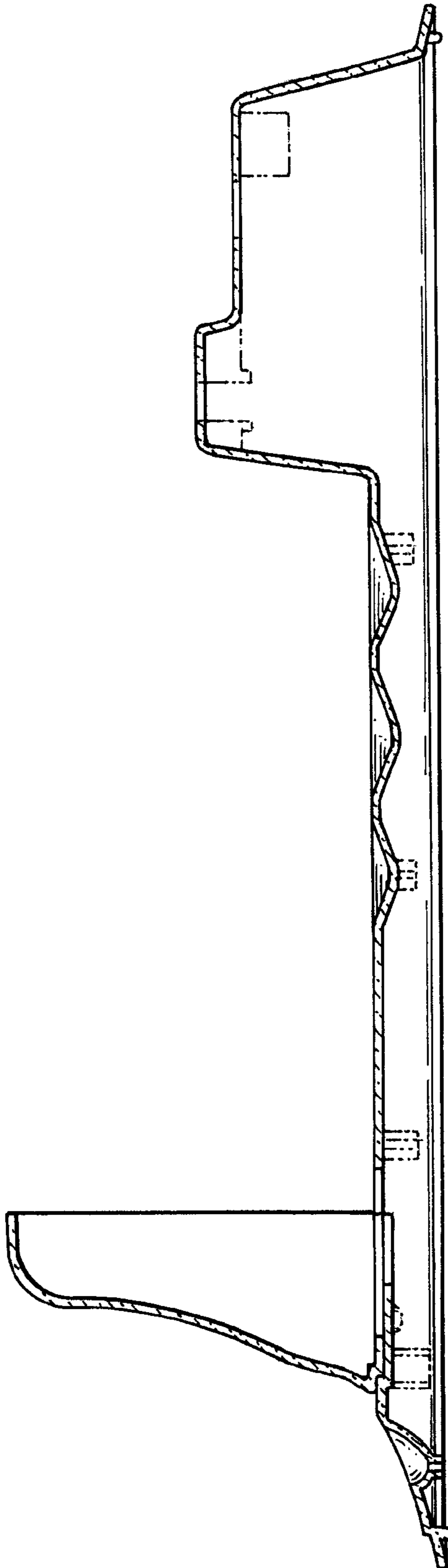


FIG. 9