



US00D528931S

(12) **United States Design Patent**
Serpa

(10) **Patent No.:** **US D528,931 S**

(45) **Date of Patent:** **** Sep. 26, 2006**

(54) **UNIVERSAL LINE HOLDER**

(75) Inventor: **Pedro Serpa**, Delray Beach, FL (US)

(73) Assignee: **Universal Line Holder, LLC**, Delray Beach, FL (US)

(**) Term: **14 Years**

(21) Appl. No.: **29/225,149**

(22) Filed: **Mar. 11, 2005**

(51) **LOC (8) Cl.** **10-04**

(52) **U.S. Cl.** **D10/65**

(58) **Field of Classification Search** D10/65;
33/407-409; 52/127.1, 127.2, 389, 513, 604,
52/613, 745.15, 745.16

See application file for complete search history.

(56) **References Cited**

U.S. PATENT DOCUMENTS

- 2,120,195 A * 6/1938 Valenti 52/513
- 2,785,467 A * 3/1957 Andersen 33/408
- 3,200,500 A * 8/1965 Stone 33/409

- 4,569,179 A * 2/1986 Post 52/749.13
- 5,274,929 A * 1/1994 Tocci 33/407
- 5,873,211 A * 2/1999 Post et al. 52/749.13

* cited by examiner

Primary Examiner—Antoine Davis

(74) *Attorney, Agent, or Firm*—Gold & Rizvi, P.A.; H. John Rizvi; Glenn E. Gold

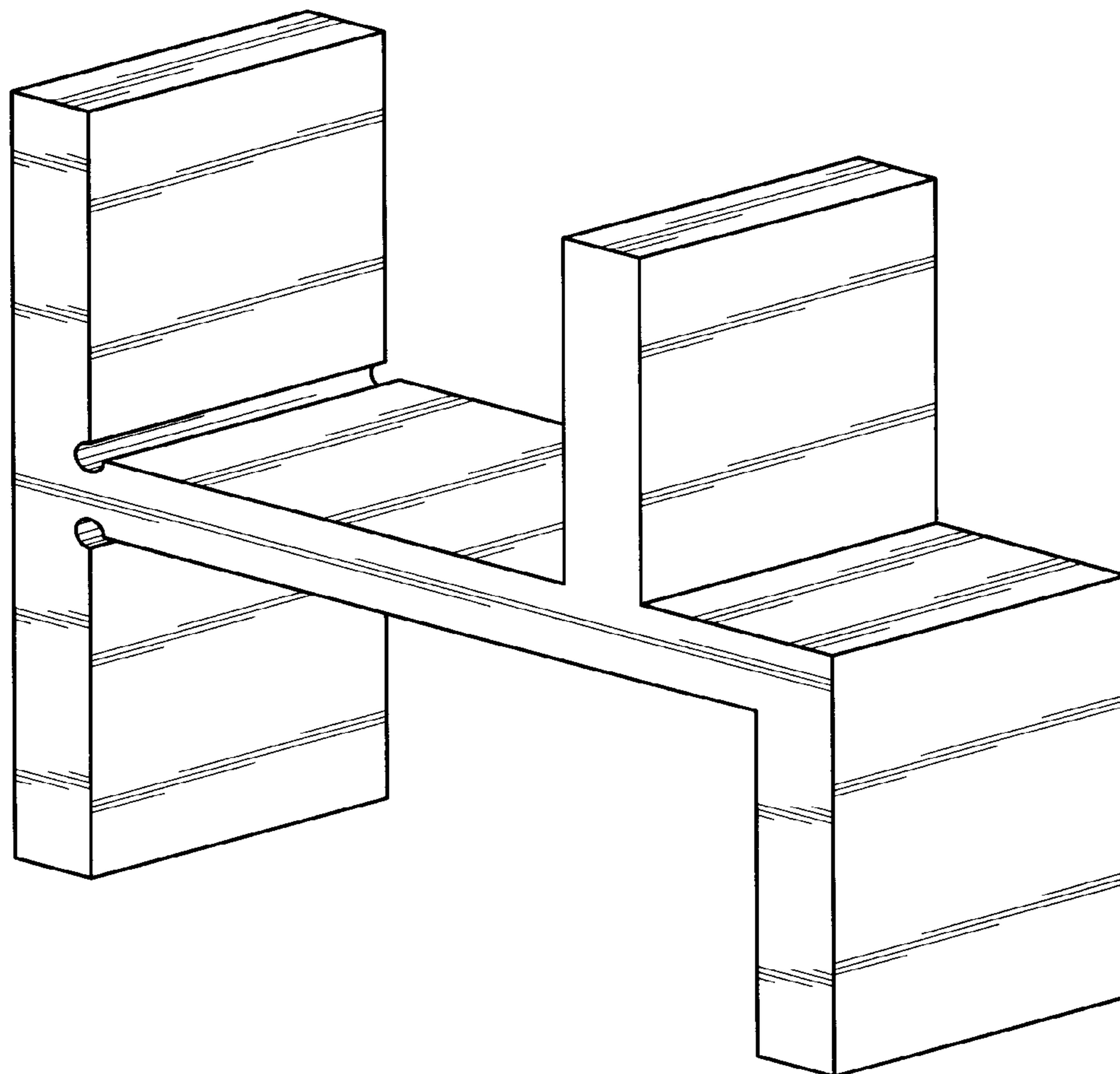
(57) **CLAIM**

The ornamental design for an universal line holder, as shown and described.

DESCRIPTION

FIG. 1 is a perspective view of the universal line holder, showing my new design;
 FIG. 2 is a top view thereof;
 FIG. 3 is a rear view thereof;
 FIG. 4 is a left side view, the right side view being a mirror image thereof;
 FIG. 5 is a front view thereof; and,
 FIG. 6 is a bottom view thereof.

1 Claim, 2 Drawing Sheets



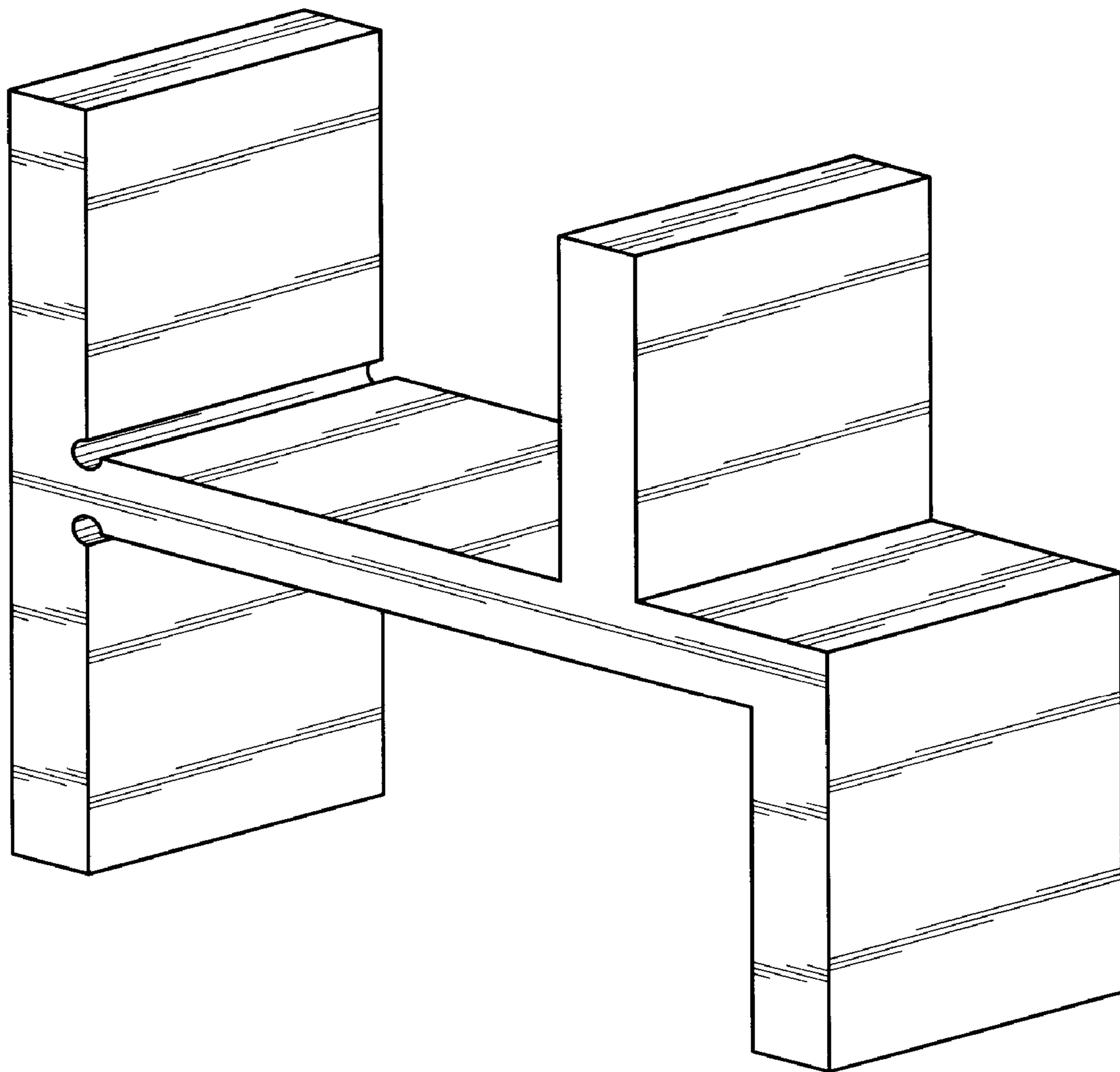


FIG. 1

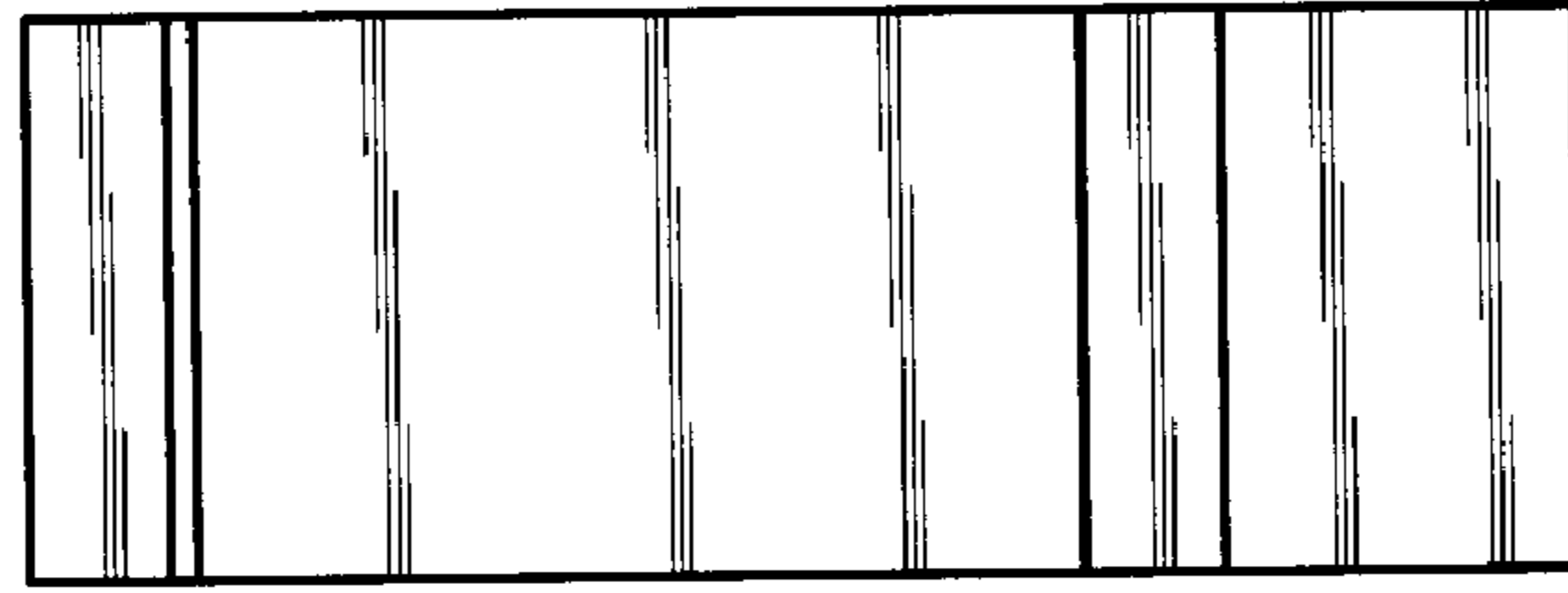


FIG. 2

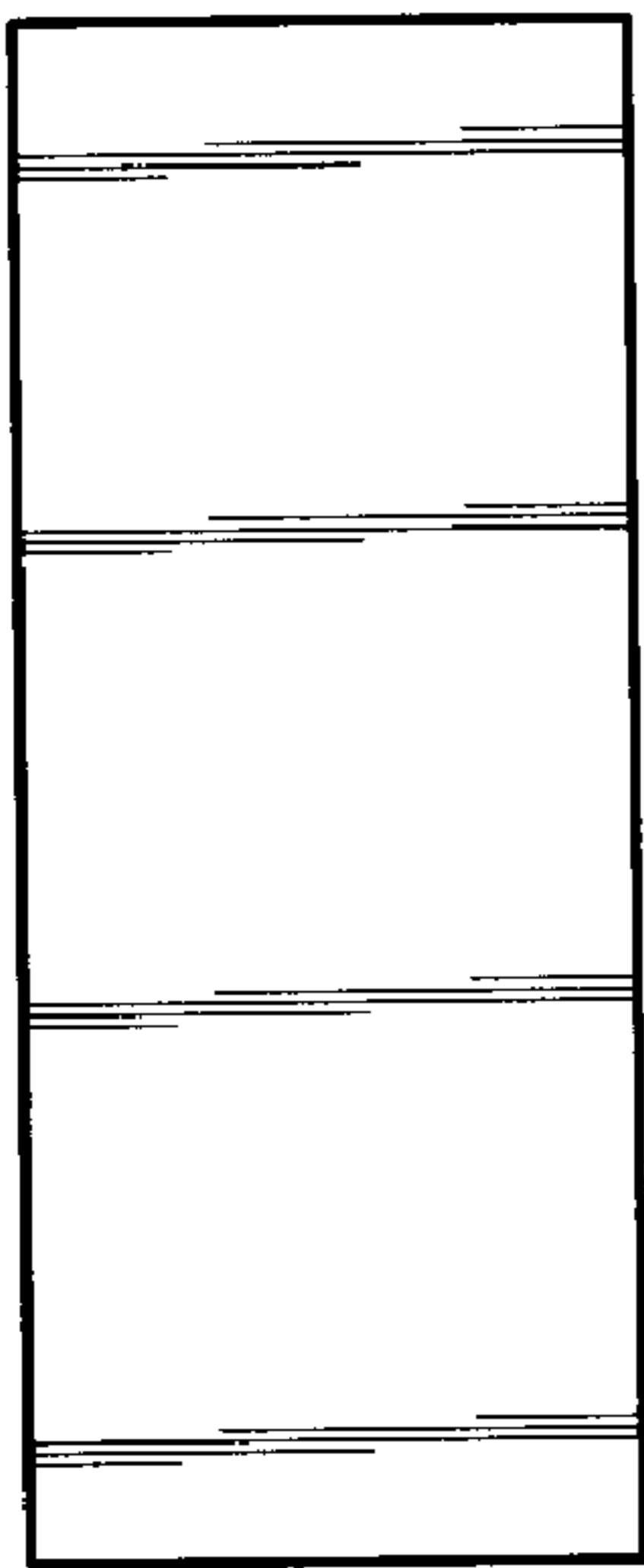


FIG. 3

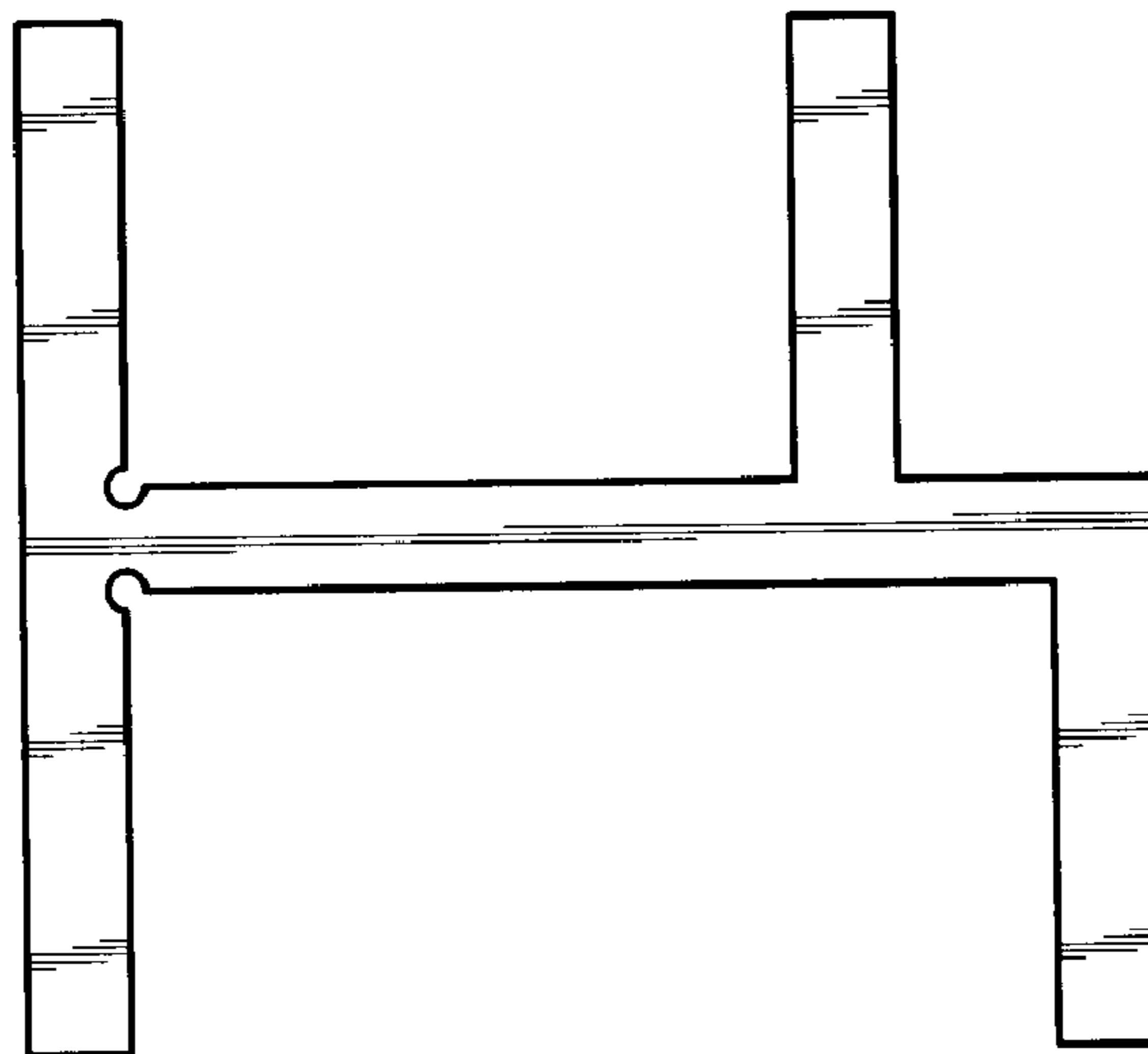


FIG. 4

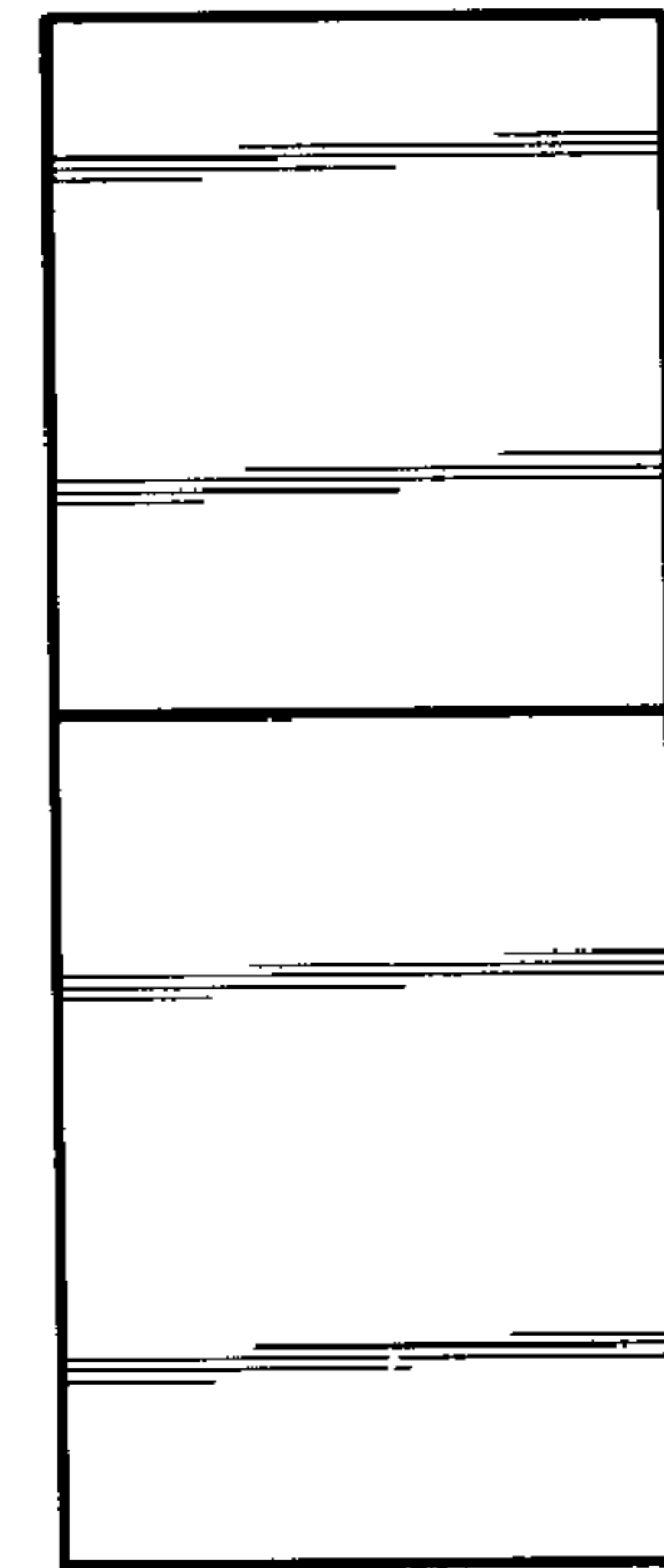


FIG. 5

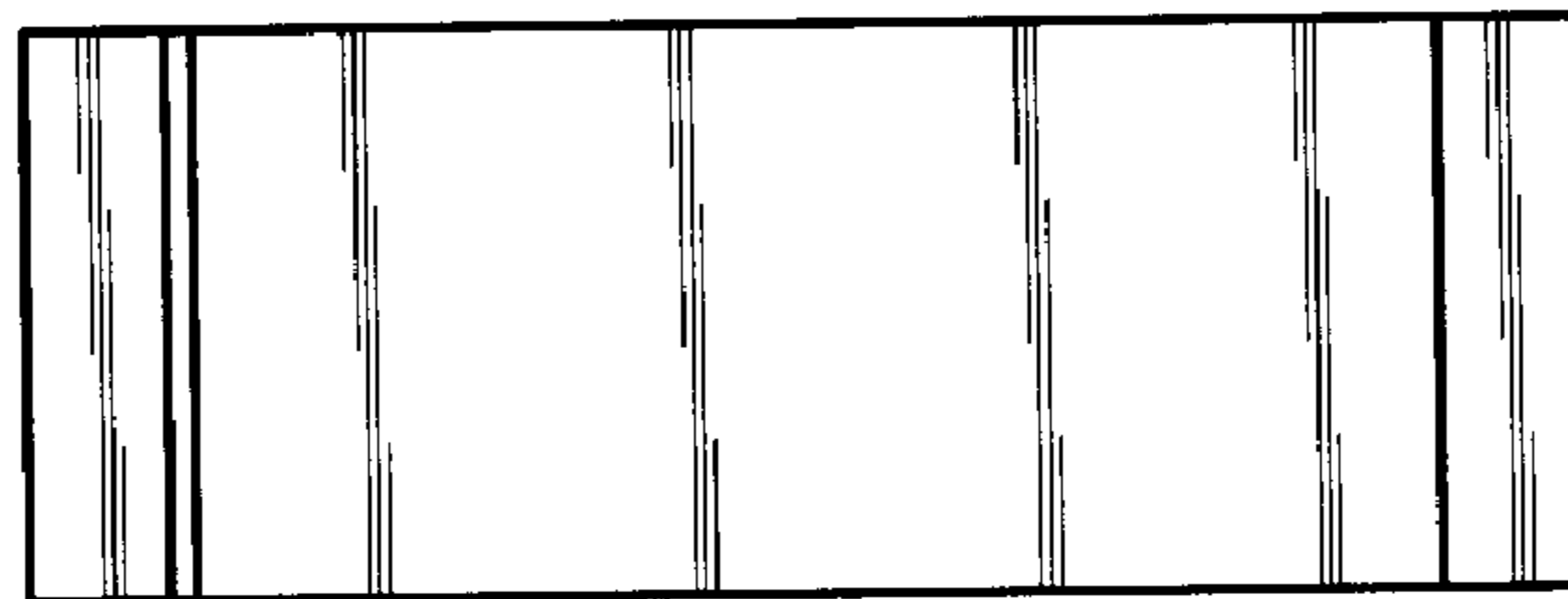


FIG. 6