



US00D528929S

(12) **United States Design Patent**
Oliver, Jr.

(10) **Patent No.:** **US D528,929 S**

(45) **Date of Patent:** **** Sep. 26, 2006**

(54) **FOOTBALL THERMOMETER**

6,432,371 B1 8/2002 Oliver, Jr.
D488,396 S * 4/2004 Trerice D10/57

(76) Inventor: **Jack Oliver, Jr.**, 242-3 Lake Ella Dr.,
Tallahassee, FL (US) 32303

* cited by examiner

(**) Term: **14 Years**

Primary Examiner—Antoine D. Davis
(74) *Attorney, Agent, or Firm*—John Wiley Horton

(21) Appl. No.: **29/237,775**

(57) **CLAIM**

(22) Filed: **Sep. 7, 2005**

The ornamental design for a football thermometer, as shown and described.

(51) **LOC (8) Cl.** **10-04**

(52) **U.S. Cl.** **D10/57**

(58) **Field of Classification Search** D10/57;
374/100-209

DESCRIPTION

See application file for complete search history.

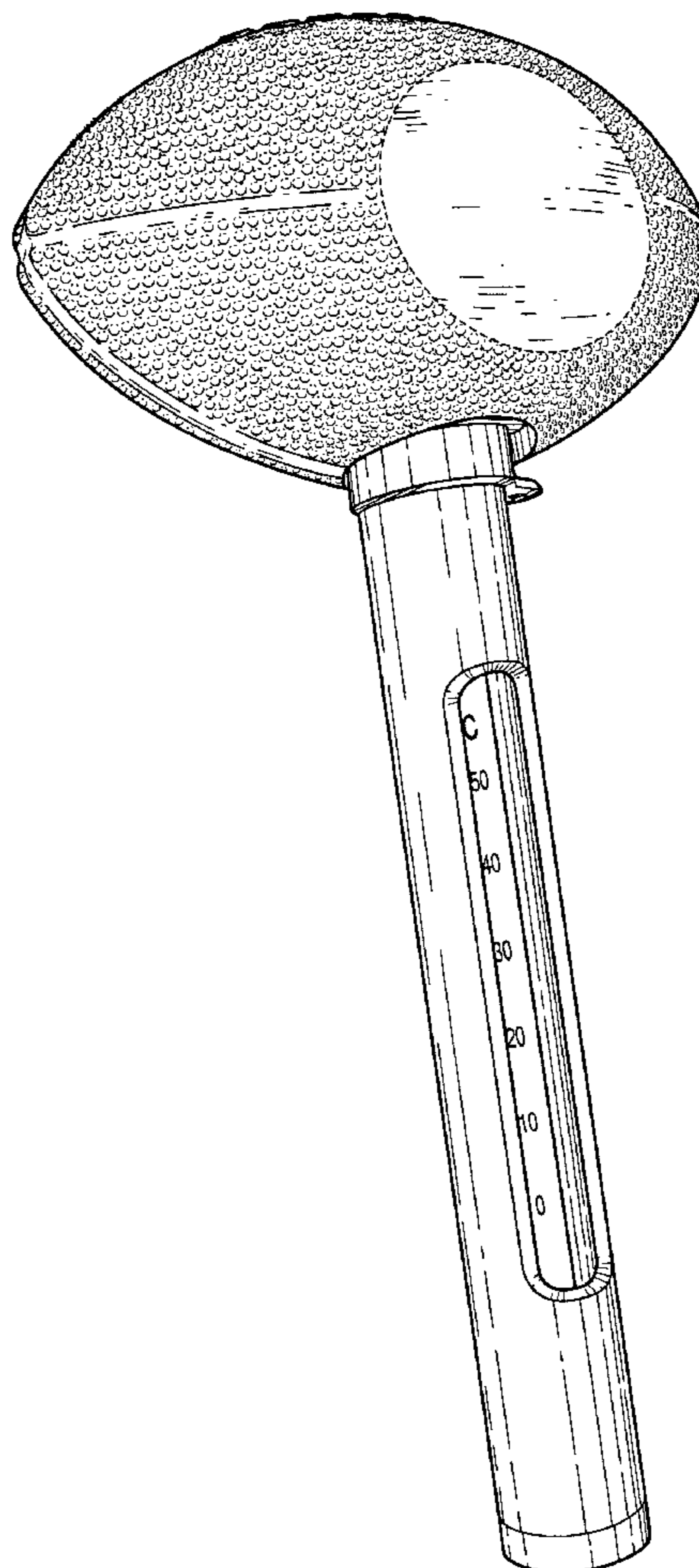
FIG. 1 is a isometric view of a thermometer incorporating the design of the present invention;
FIG. 2 is a front elevational view thereof;
FIG. 3 is a back elevational view thereof;
FIG. 4 is a top elevational view thereof;
FIG. 5 is a bottom elevational view thereof;
FIG. 6 is a side elevational view taken from the right side, as seen in FIG. 1; and,
FIG. 7 is a side elevational view taken from the left side, as seen in FIG. 1.

(56) **References Cited**

U.S. PATENT DOCUMENTS

D252,337 S	7/1979	Hehnen	
D275,311 S	8/1984	Wolfe	
D286,560 S	11/1986	Wolfe	
4,798,707 A	1/1989	Thomas et al.	
D312,216 S	* 11/1990	Nadzak et al. D10/57
D385,499 S	* 10/1997	Weiss D10/57
D456,061 S	4/2002	Hood et al.	

1 Claim, 5 Drawing Sheets



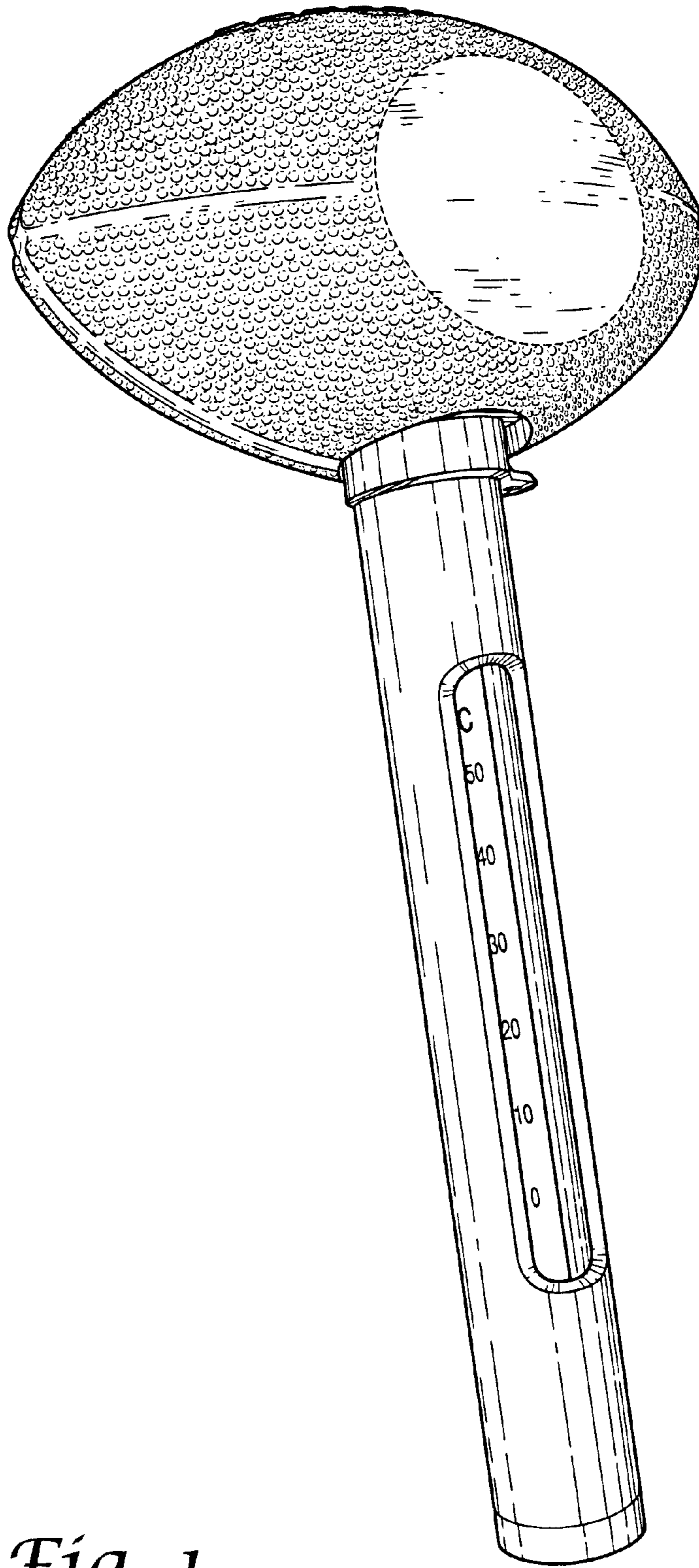


Fig. 1

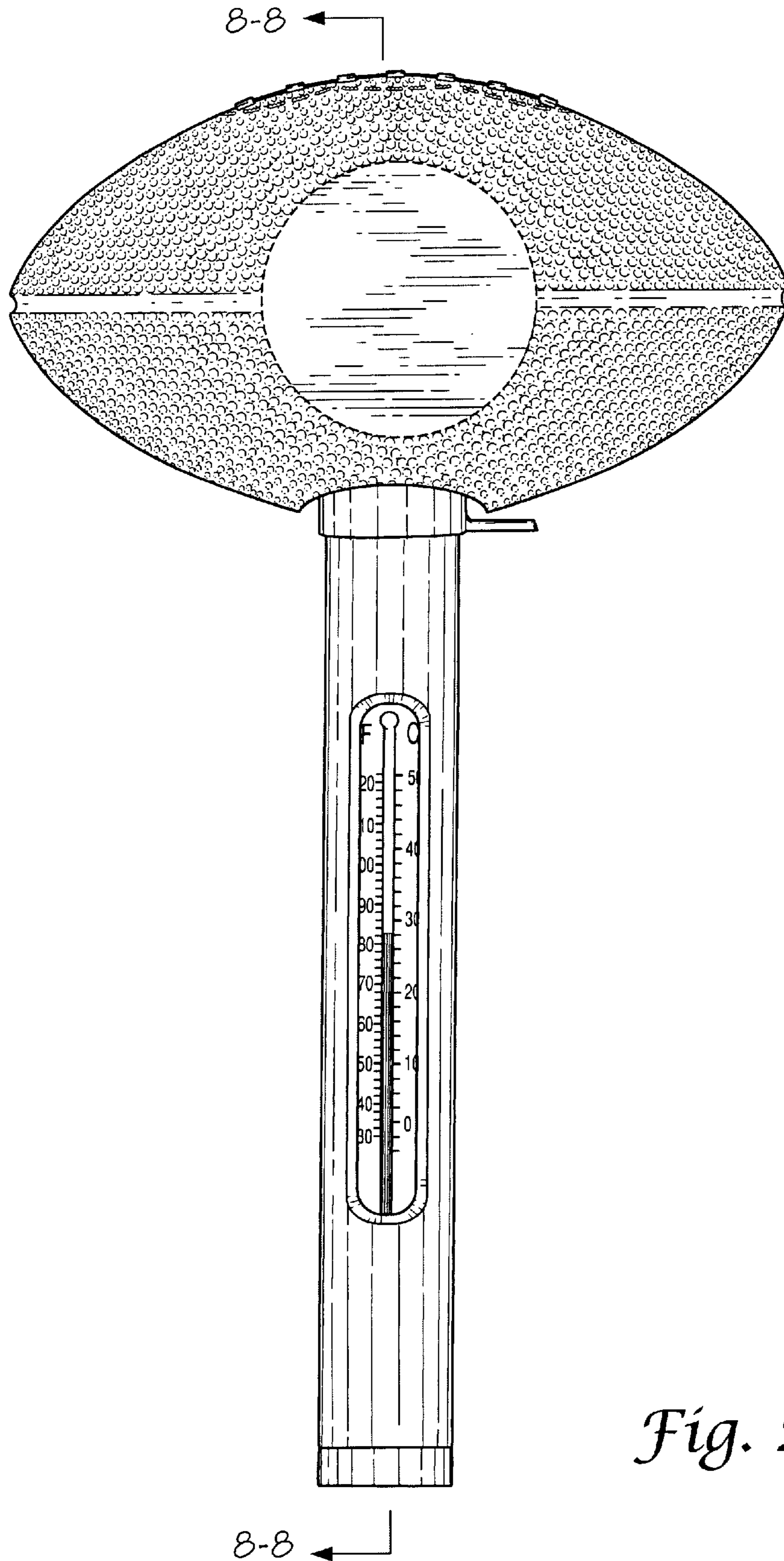


Fig. 2

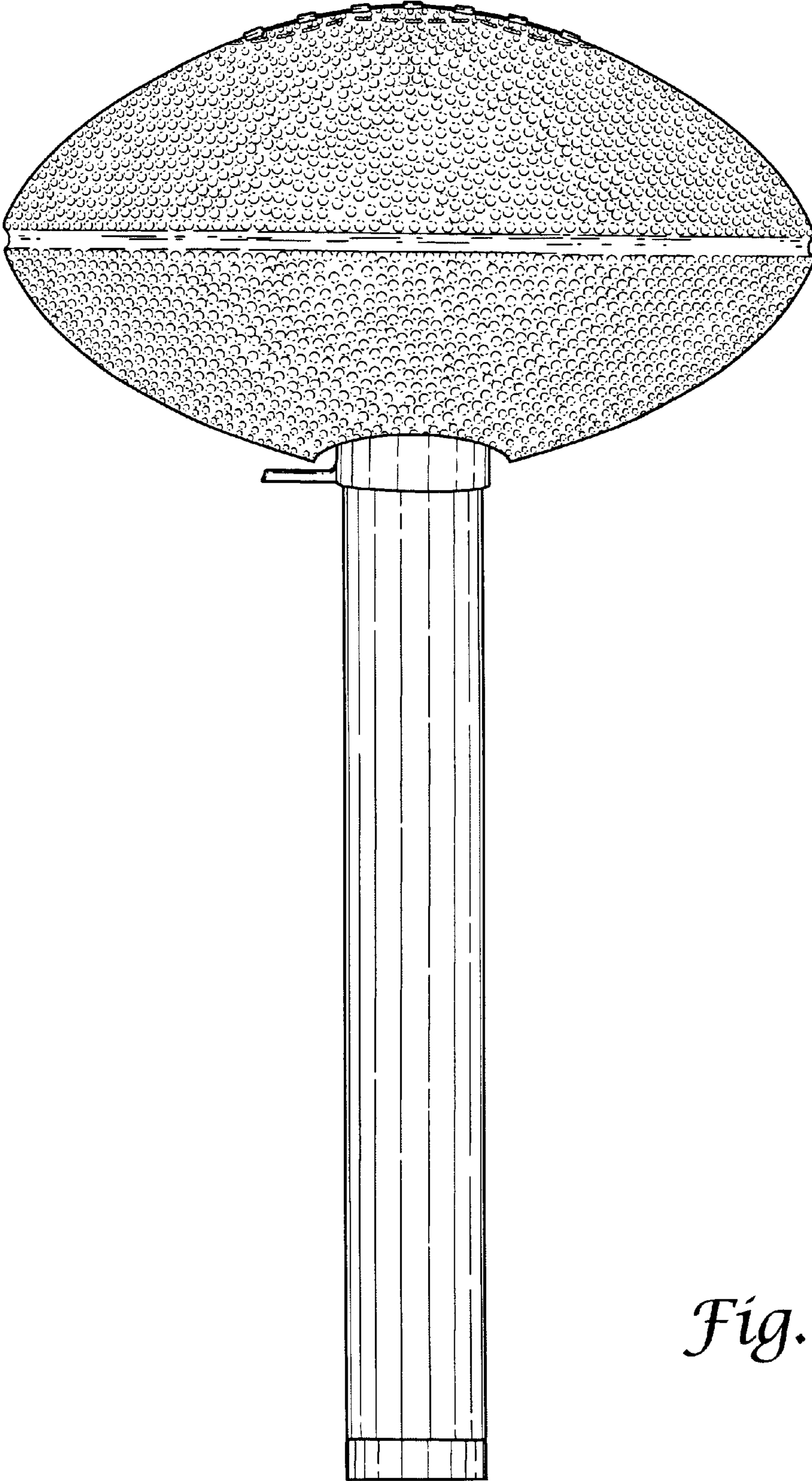


Fig. 3

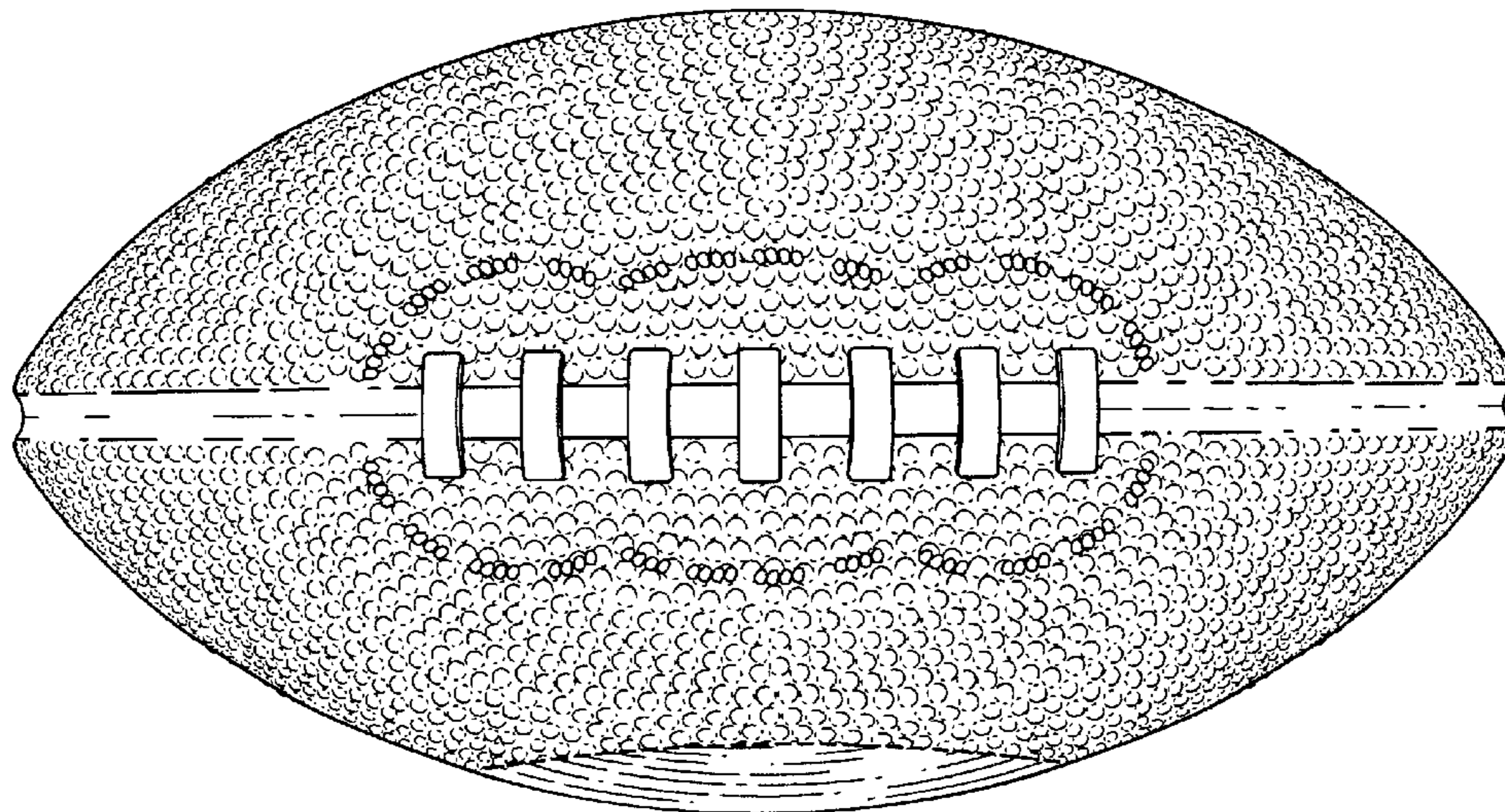


Fig. 4

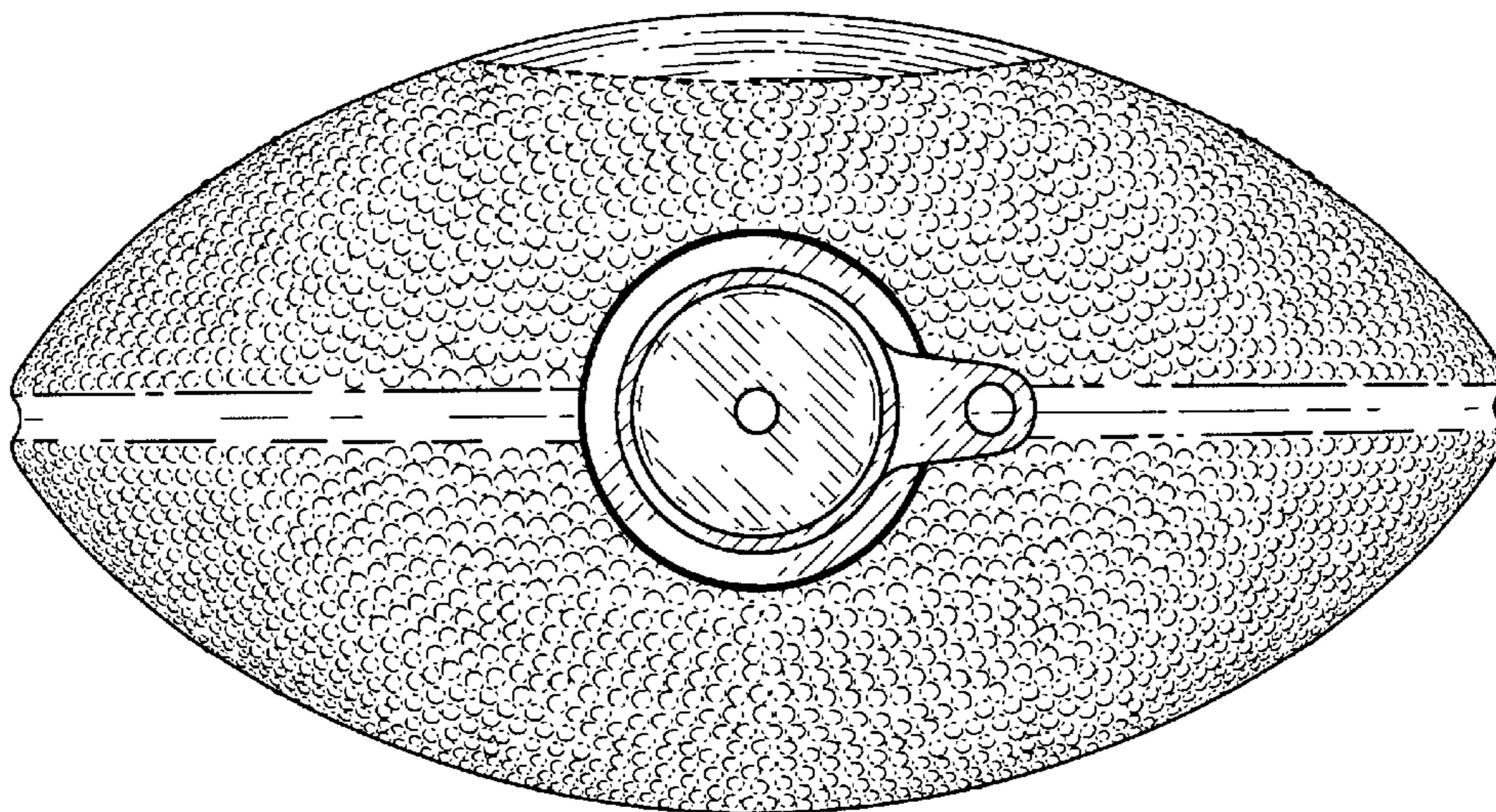


Fig. 5

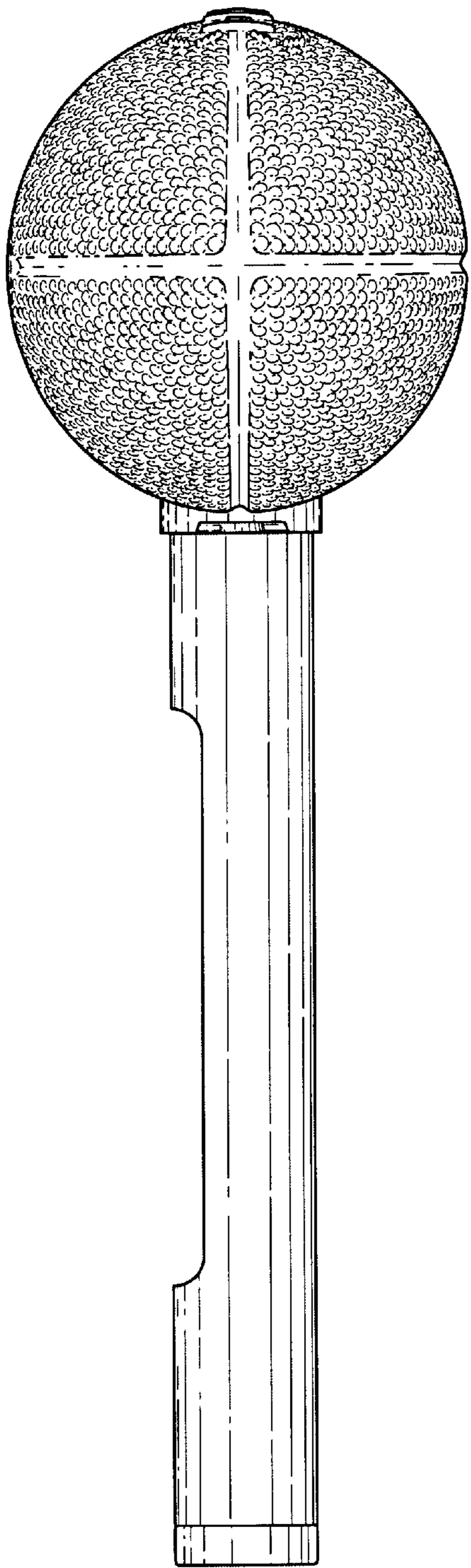


Fig. 6

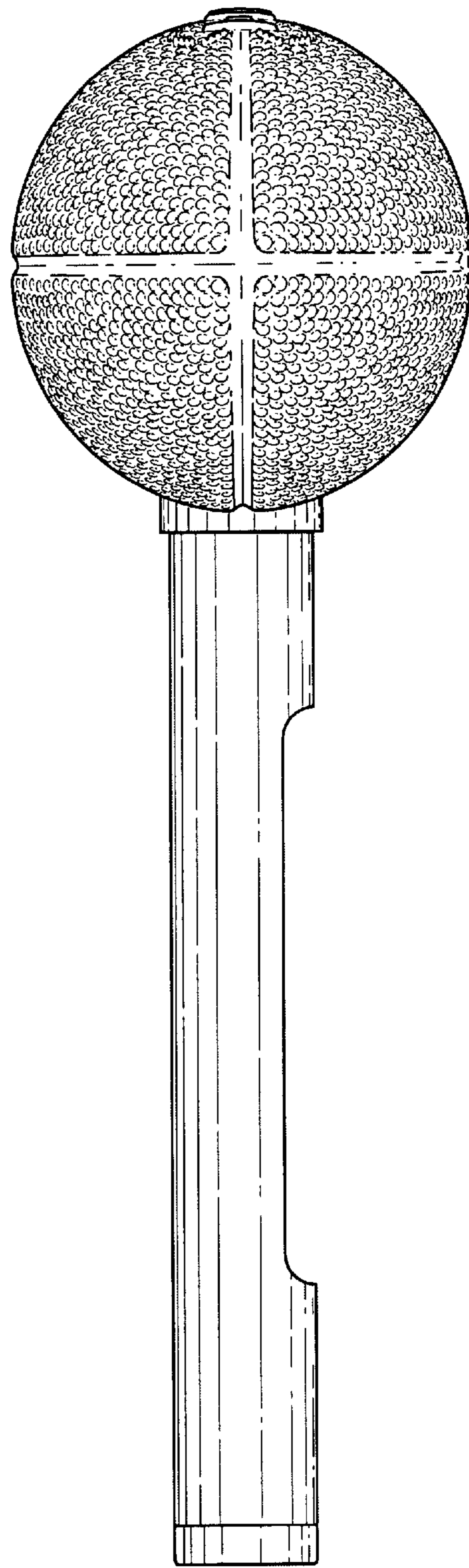


Fig. 7