



US00D528928S

(12) **United States Design Patent** (10) **Patent No.:** **US D528,928 S**  
**Burton** (45) **Date of Patent:** **\*\* Sep. 26, 2006**

(54) **PORTION OF A WATCH**

(75) Inventor: **Maximillian Philip Burton**, Portland, OR (US)

(73) Assignee: **Nike, Inc.**, Beaverton, OR (US)

(\*\*) Term: **14 Years**

(21) Appl. No.: **29/253,838**

(22) Filed: **Feb. 14, 2006**

(51) **LOC (8) Cl.** ..... **10-02**

(52) **U.S. Cl.** ..... **D10/38**

(58) **Field of Classification Search** ..... D10/30-39, D10/122-132; 368/276, 285, 281-283, 294, 368/295, 10, 21, 28-30, 82-84, 223, 226, 368/228, 232, 239-242, 250; D11/3-5; 224/164, 224/175, 174, 179; 63/1.13, 3, 3.1, 3.2, 7-9  
See application file for complete search history.

(56) **References Cited**

**U.S. PATENT DOCUMENTS**

1,601,522 A	9/1926	Freedman	
D112,345 S	11/1938	Megar	
D224,913 S	* 10/1972	Maroni	D10/32
3,889,460 A	* 6/1975	Yasukawa et al.	368/217
4,041,295 A	* 8/1977	Ido et al.	708/111
4,090,353 A	* 5/1978	Maeda et al.	368/188
4,209,973 A	7/1980	Maezawa	
D263,452 S	* 3/1982	Wada	D10/38
D265,062 S	* 6/1982	Hirabayashi	D10/38
D266,831 S	* 11/1982	Iida	D10/38
4,403,869 A	* 9/1983	Crutcher	368/10
4,862,436 A	8/1989	Harilela	
D303,635 S	9/1989	Kurzina	
D303,768 S	10/1989	Wakamatsu	
D329,201 S	9/1992	Barat	
D361,042 S	8/1995	Nanayakkara	
D364,097 S	11/1995	Mickey, Sr.	
5,477,508 A	12/1995	Will	
D366,036 S	1/1996	Houlihan	
D383,985 S	* 9/1997	Davenport	D10/31
D388,339 S	12/1997	Wunderman	

D391,872 S	3/1998	Sugarman et al.	
D412,446 S	* 8/1999	Tse	D10/32
D424,532 S	5/2000	Chida	
D451,826 S	12/2001	Giardiello	
D455,969 S	* 4/2002	Wilson	D10/32
D474,116 S	5/2003	Fu et al.	
D474,982 S	5/2003	Wilson	
D491,472 S	6/2004	Peraldi	
D501,836 S	* 2/2005	Lowinger	D14/138
D503,895 S	4/2005	Black	
D504,330 S	4/2005	Dias	
2002/0131330 A1	9/2002	Zion et al.	
2005/0276164 A1	12/2005	Amron	

**OTHER PUBLICATIONS**

Swiss Watch and Jewelry Journal, Feb., 1977, p. 197, watch on right side.\*  
Swiss Watch and Jewelry Journal, Jan., 1977, p. 36, "Wylar" watch, second from right.\*  
Evans Catalog, 1978, p. 92, "Helbros" watch, Item No. 6.\*

\* cited by examiner

*Primary Examiner*—Lucy Lieberman

(74) *Attorney, Agent, or Firm*—Banner & Witcoff, Ltd.

(57) **CLAIM**

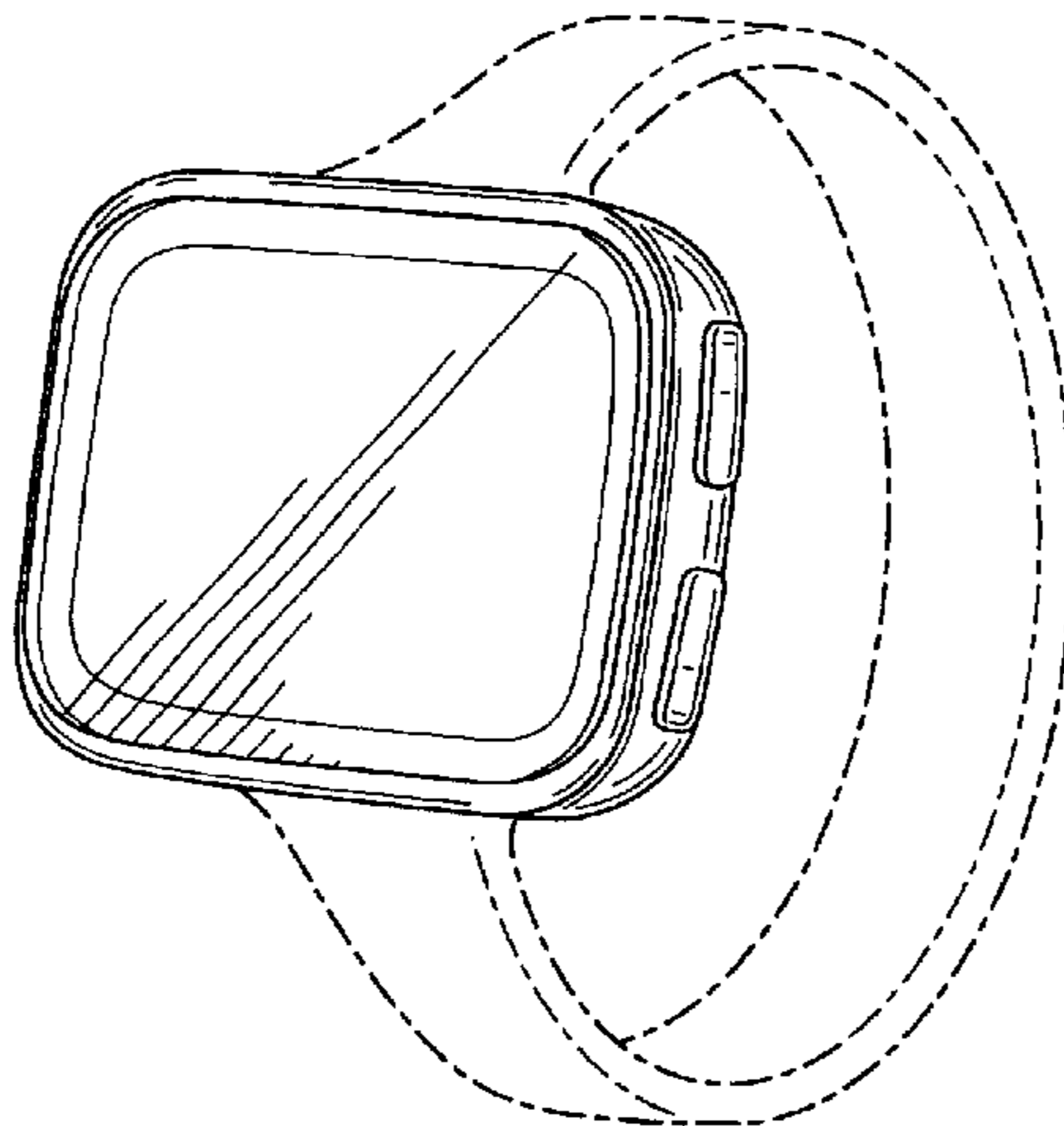
The ornamental design for a portion of a watch, as shown and described.

**DESCRIPTION**

FIG. 1 is a perspective view of a portion of a watch showing my new design;  
FIG. 2 is a front view thereof;  
FIG. 3 is a rear view thereof;  
FIG. 4 is a right side view thereof;  
FIG. 5 is a left side view thereof;  
FIG. 6 is a top view thereof; and,  
FIG. 7 is a bottom view thereof.

The broken line showing of the remainder of the watch is for illustrative purposes only and forms no part of the claimed design.

**1 Claim, 4 Drawing Sheets**



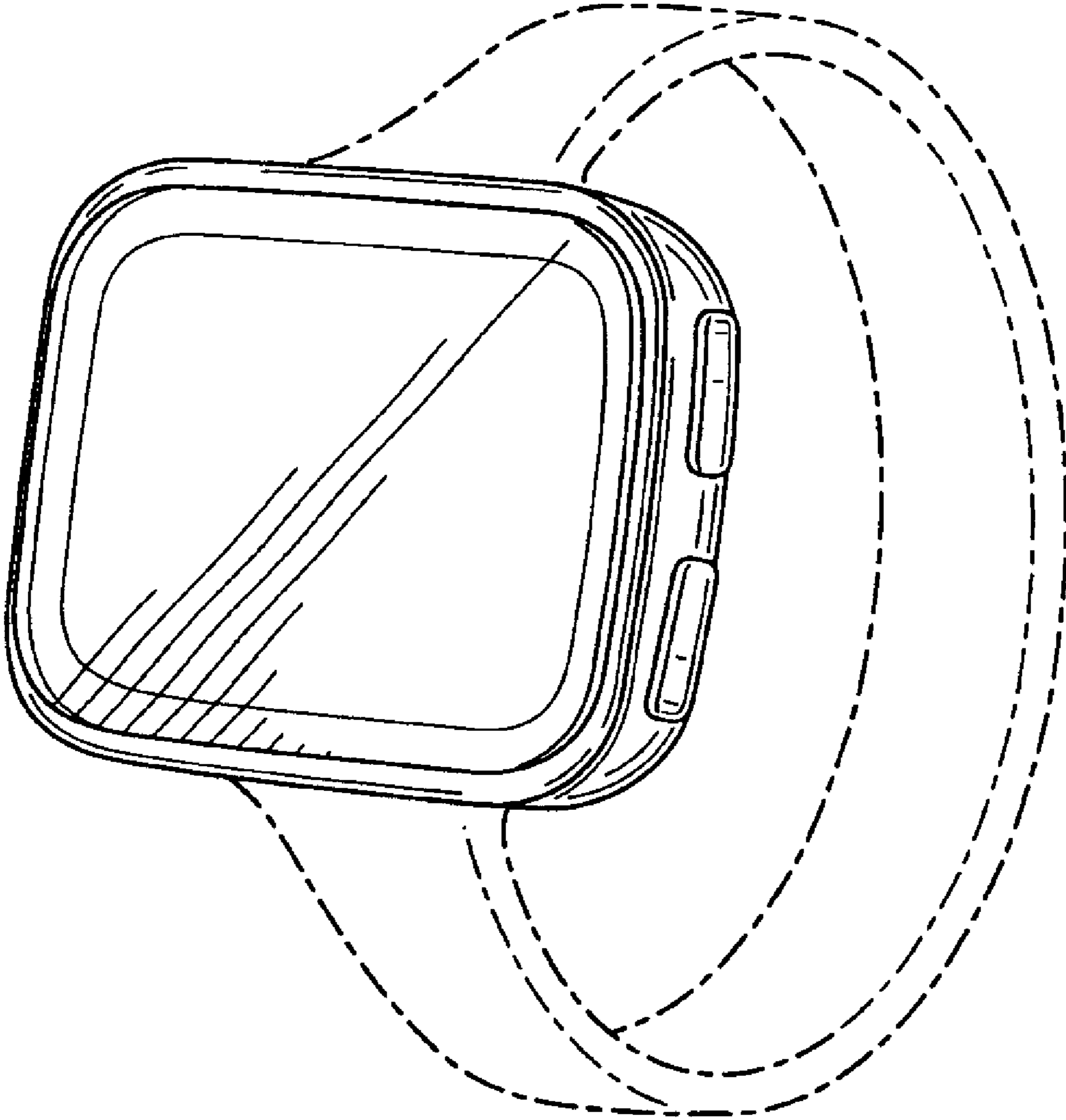


FIG. 1

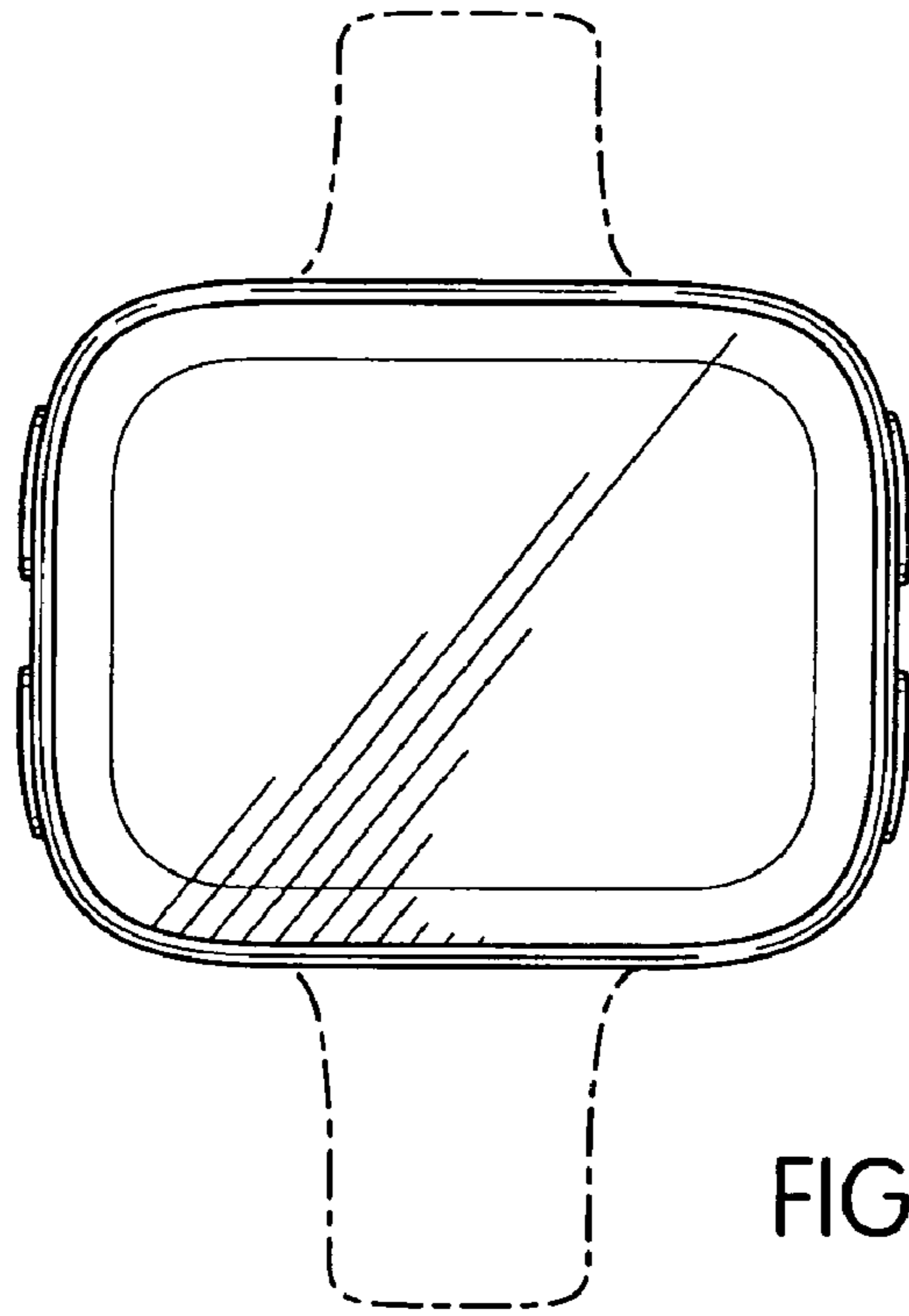


FIG. 2

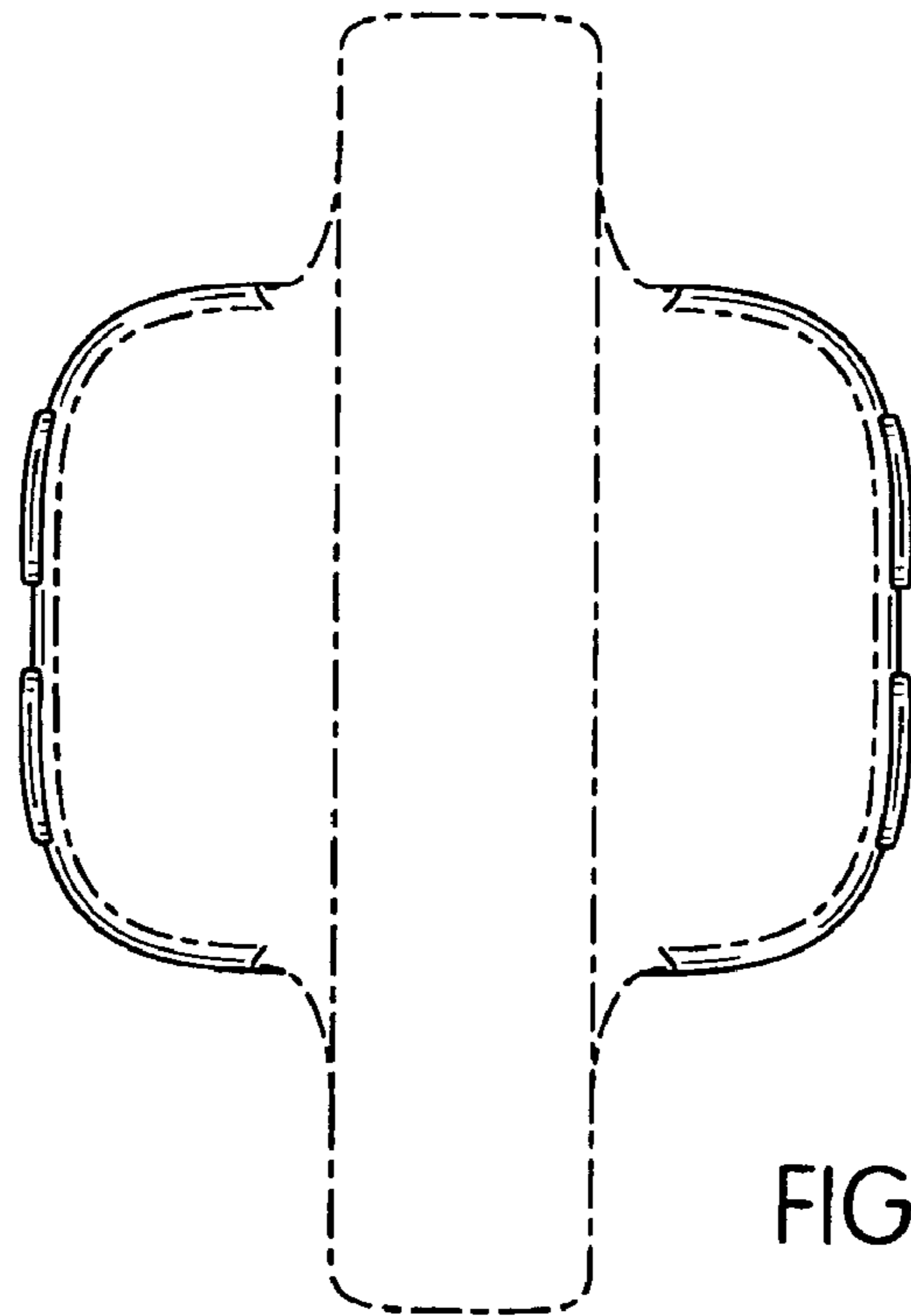


FIG. 3

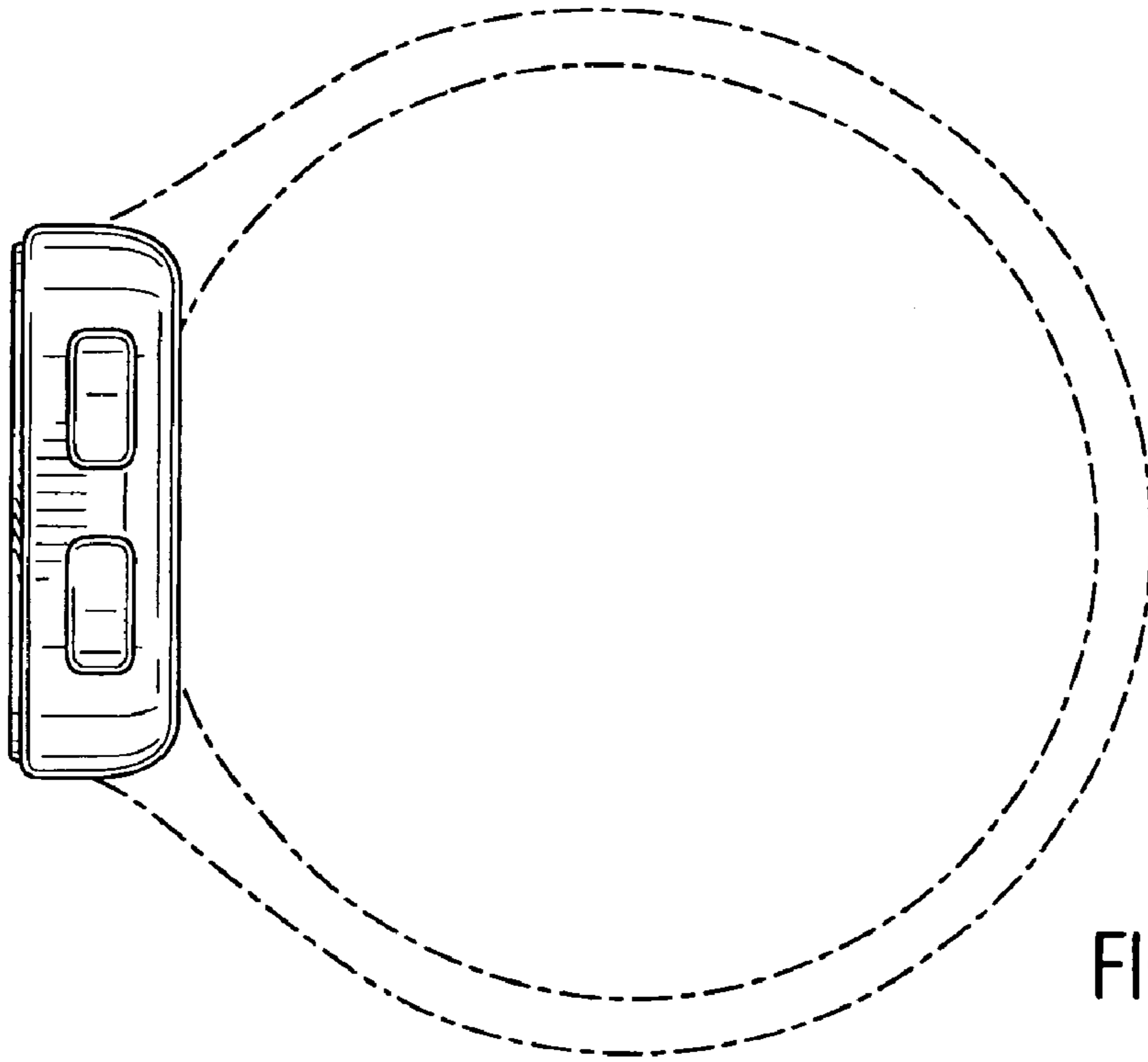


FIG. 4

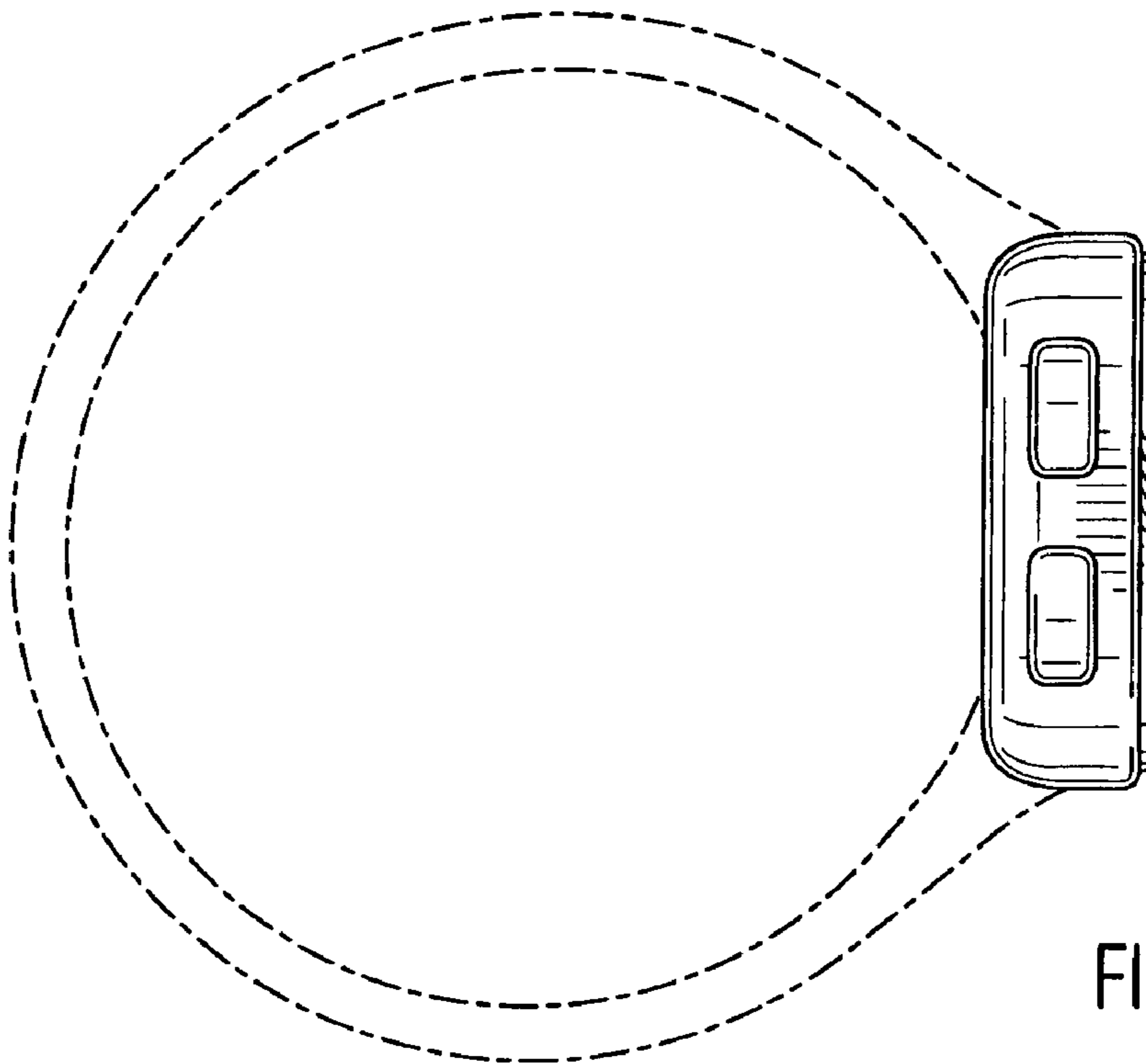


FIG. 5

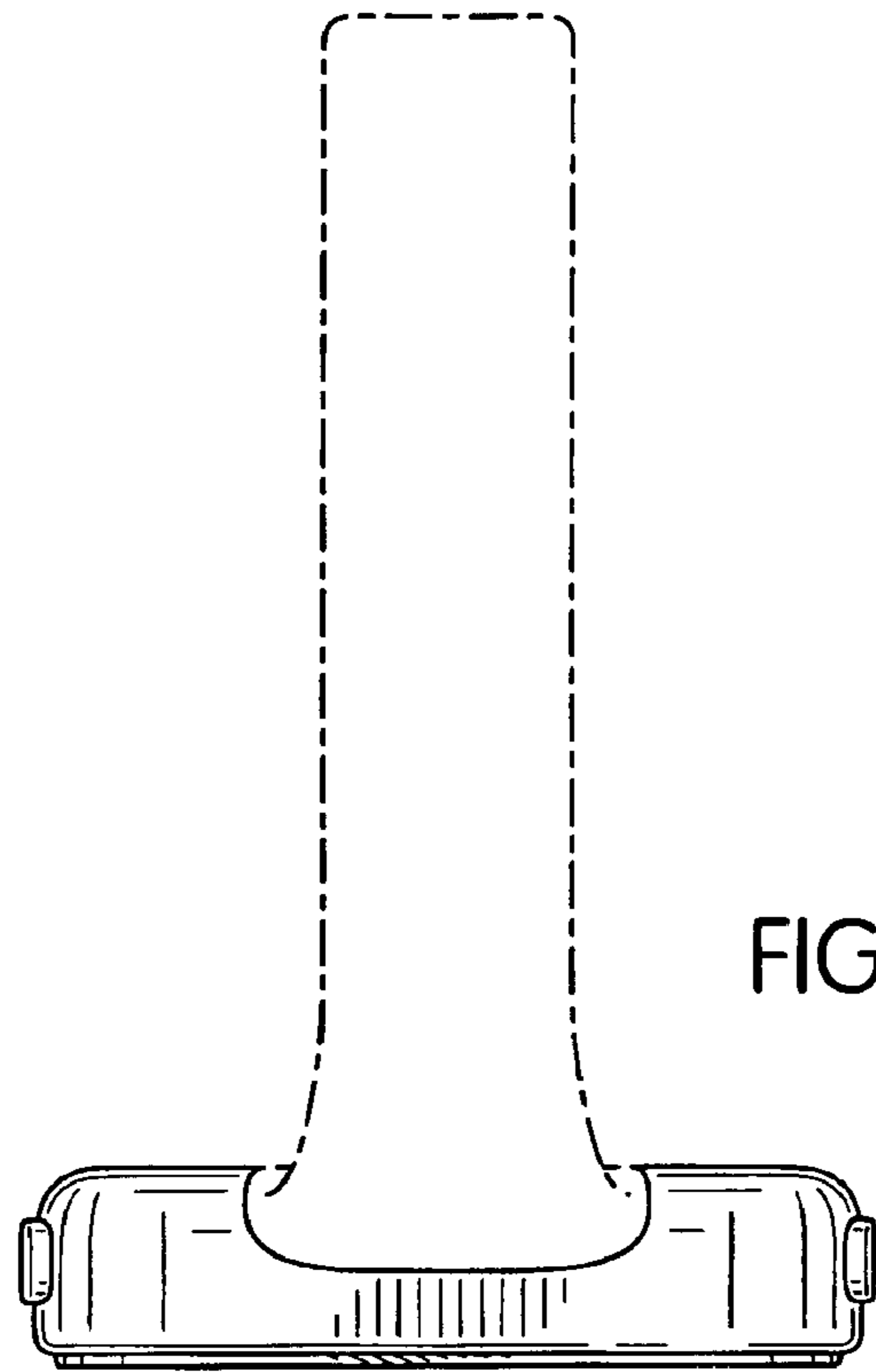


FIG. 6

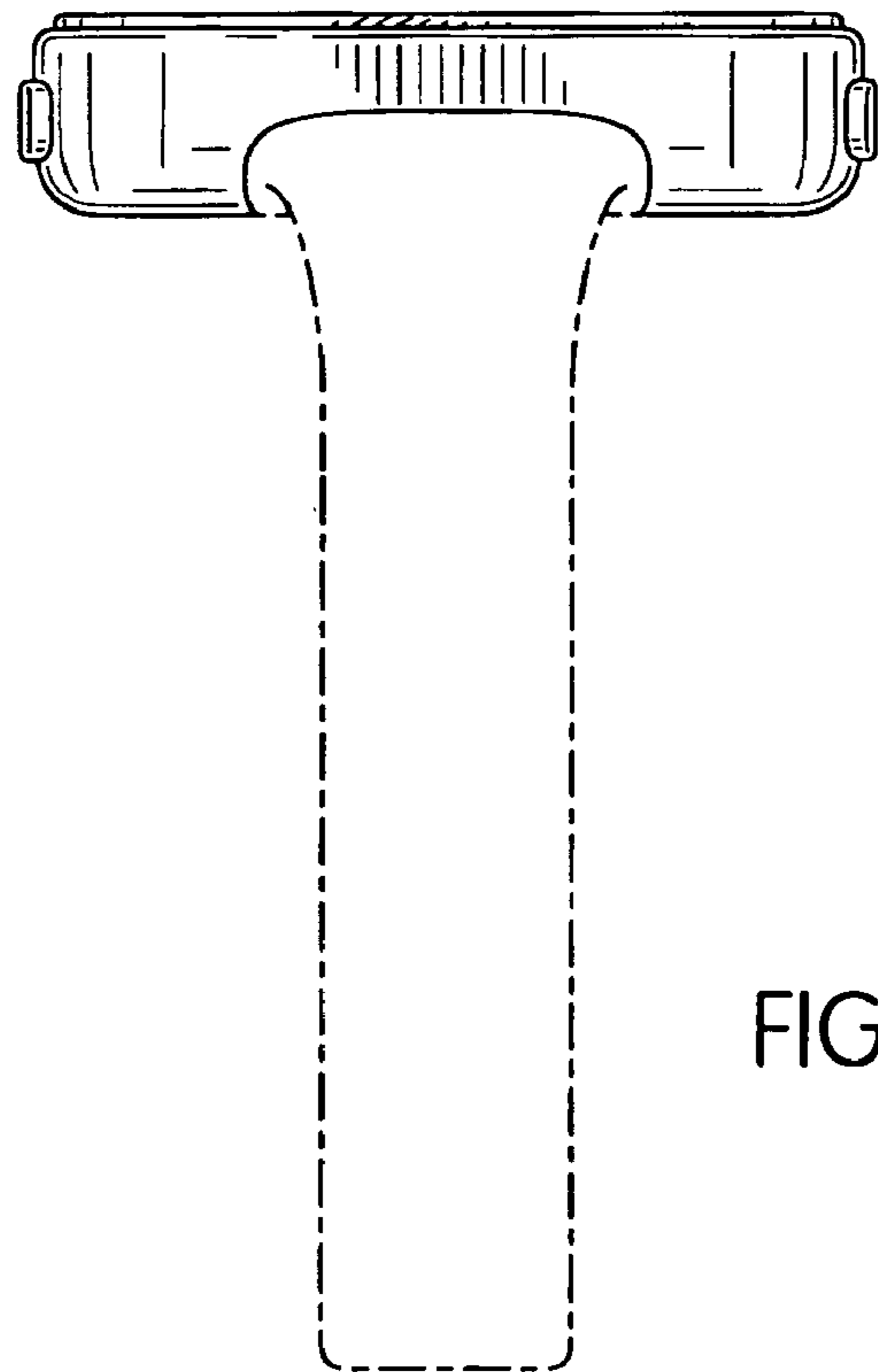


FIG. 7