

US00D528926S

(12) **United States Design Patent** (10) **Patent No.:** **US D528,926 S**
Blin (45) **Date of Patent:** **** Sep. 26, 2006**

(54) **CARTON FOR BOTTLES**

(75) Inventor: **Patrick Blin**, Chateauroux (FR)

(73) Assignee: **Meadwestvaco Packaging Systems, LLC**, Stamford, CT (US)

(**) Term: **14 Years**

(21) Appl. No.: **29/218,705**

(22) Filed: **Dec. 6, 2004**

(51) **LOC (8) Cl.** **09-03**

(52) **U.S. Cl.** **D9/751**

(58) **Field of Classification Search** D9/430-434, D9/414, 737, 751, 753-755; 229/109, 112, 229/117.09, 117.12, 117.13, 117.14, 117.26, 229/164, 100, 103, 122, 5.5, 906, 117.16, 229/117.9, 117.17, 103.3, 116.1; 206/756, 206/139; 220/23.2, 4.03, DIG. 2, DIG. 15, 220/507, 509, 512, 528

See application file for complete search history.

(56) **References Cited**

U.S. PATENT DOCUMENTS

- 1,482,727 A * 2/1924 Borchers 229/164.1
- 1,693,906 A * 12/1928 Lippincott 220/512
- 1,812,311 A 6/1931 Wolf
- 2,116,431 A 5/1938 Gullo et al.
- 2,421,748 A 6/1947 Fink
- D162,988 S * 4/1951 Ringler D9/751
- 2,597,848 A 5/1952 Reeser
- 2,901,155 A 8/1959 Vines
- D227,191 S * 6/1973 Cape D3/312
- 4,331,287 A 5/1982 Wharton, Jr.
- 4,349,147 A 9/1982 Jensen
- 4,582,198 A 4/1986 Ditton
- 4,871,067 A 10/1989 Valenti
- 4,886,164 A 12/1989 Stein et al.
- 4,981,254 A * 1/1991 Depper 229/117.14

(Continued)

FOREIGN PATENT DOCUMENTS

EP 0 235 852 A2 9/1987

- FR 2292640 A 6/1976
- FR 2446232 A 8/1980
- GB 372 119 5/1932
- GB 406 511 3/1934
- GB 452 143 8/1936
- GB 1 262 777 2/1972
- JP 2000185786 A 7/2000
- WO WO 03/070580 A1 8/2003
- WO WO 2004/002837 A3 1/2004

Primary Examiner—Stella Reid

Assistant Examiner—Mark Goodwin

(74) *Attorney, Agent, or Firm*—Tsugihiko Suzuki

(57) **CLAIM**

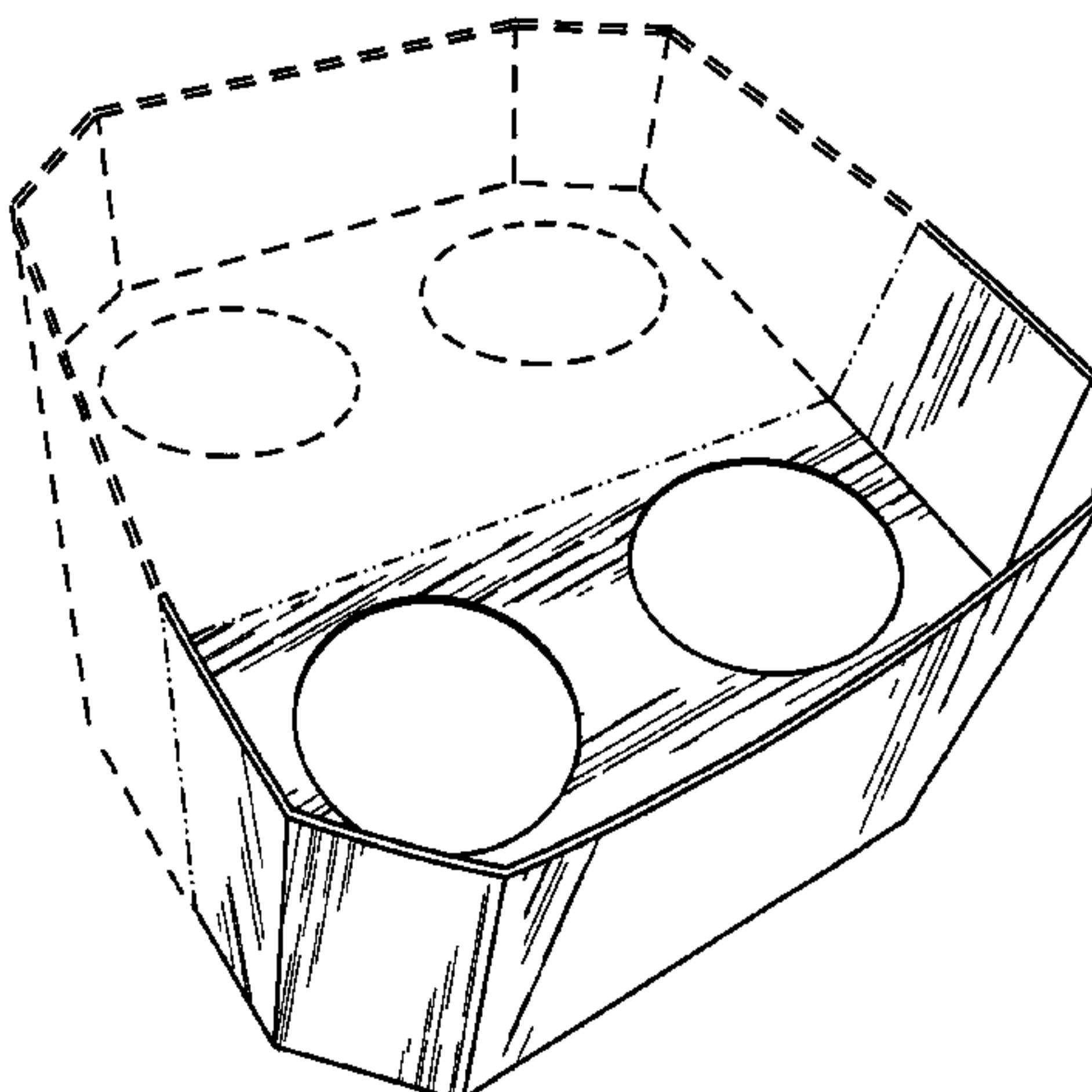
The ornamental design for a carton for bottles, as shown and described.

DESCRIPTION

FIG. 1 is a perspective view of a carton for bottles showing my new design;
 FIG. 2 is a top plan view thereof;
 FIG. 3 is a bottom plan view thereof;
 FIG. 4 is a right side elevation thereof; the left side elevation being a mirror image thereof;
 FIG. 5 is a front elevation thereof;
 FIG. 6 is a perspective view of a second embodiment of the carton for bottles;
 FIG. 7 is a top plan view of FIG. 6;
 FIG. 8 is a bottom plan view of FIG. 6;
 FIG. 9 is a right side elevation of FIG. 6; the left side elevation being a mirror image thereof;
 FIG. 10 is a front elevation of FIG. 6;
 FIG. 11 is a perspective view of a third embodiment of the carton for bottles;
 FIG. 12 is a top plan view of FIG. 11;
 FIG. 13 is a bottom plan view of FIG. 11;
 FIG. 14 is a right side elevation of FIG. 11; the left side elevation being a mirror image thereof; and,
 FIG. 15 is a front elevation of FIG. 11.

The broken line showing of the bounds of the claimed design in FIGS. 1-4, 6-9, 11-13, and 15 is for illustrative purposes only and forms no part of the claimed design.

1 Claim, 6 Drawing Sheets



US D528,926 S

Page 2

U.S. PATENT DOCUMENTS			
5,005,759	A	4/1991	Bouche
5,199,634	A	4/1993	Luce et al.
5,657,872	A	8/1997	Leftwich et al.
D395,004	S	* 6/1998	Shamoon D9/430
D396,133	S	* 7/1998	Stein D28/73
5,915,617	A	* 6/1999	Gasper 229/109
5,950,911	A	* 9/1999	Naughton et al. 229/109
D427,117	S	* 6/2000	Kawamura et al. D12/583
6,082,614	A	7/2000	Schmidt
6,598,785	B1	* 7/2003	Quaintance 229/191

* cited by examiner

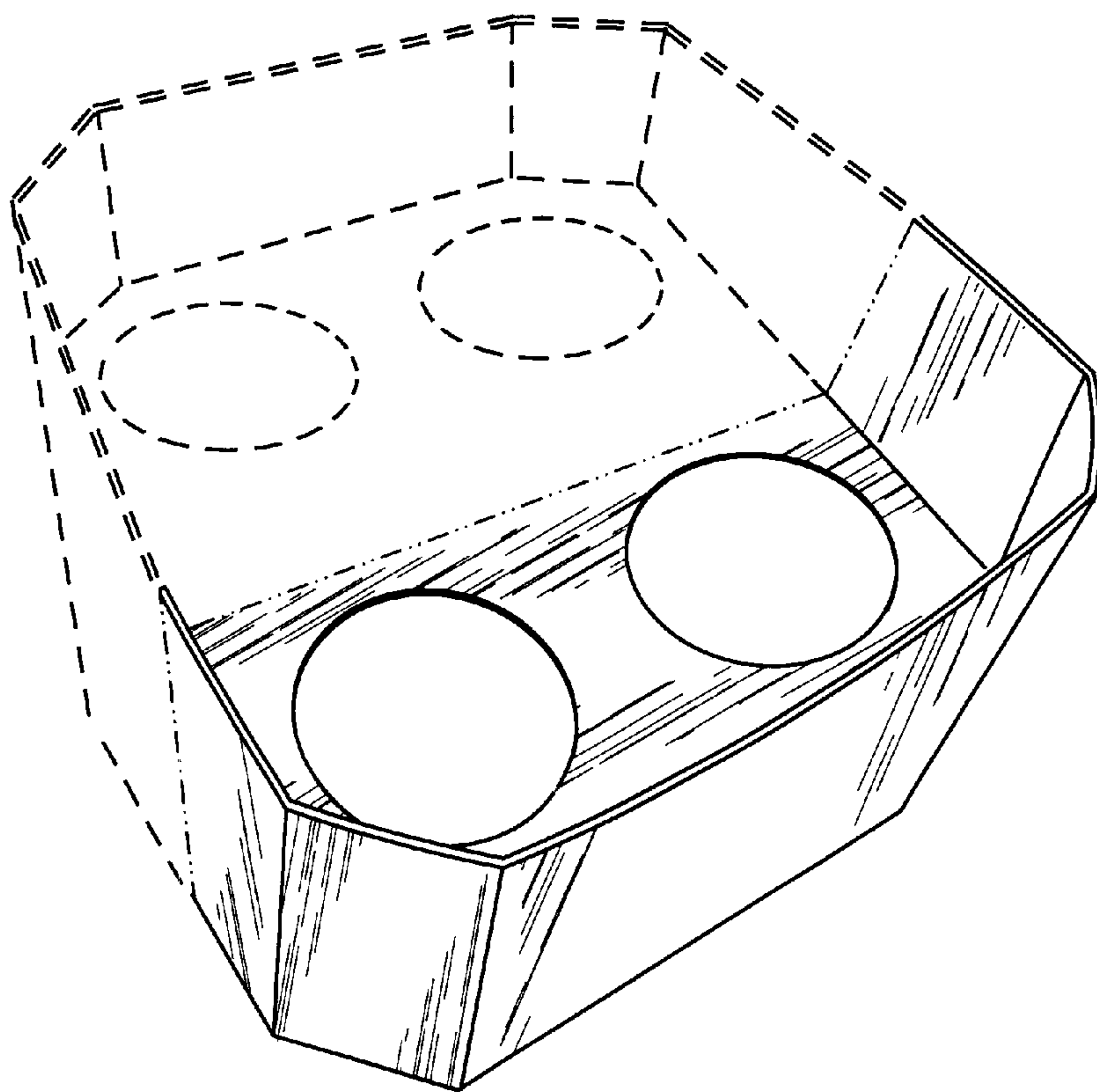


FIG. 1

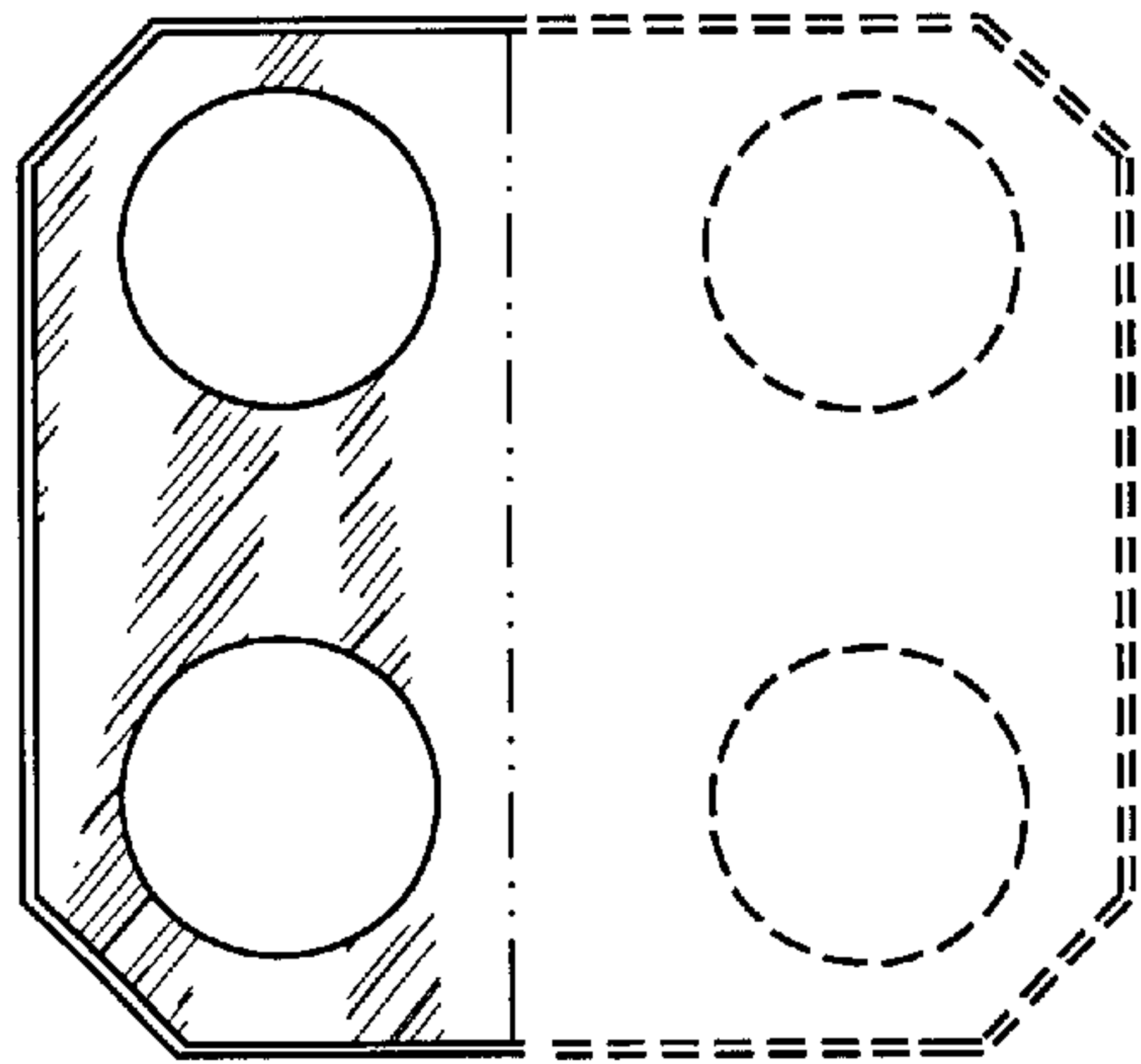


FIG. 2

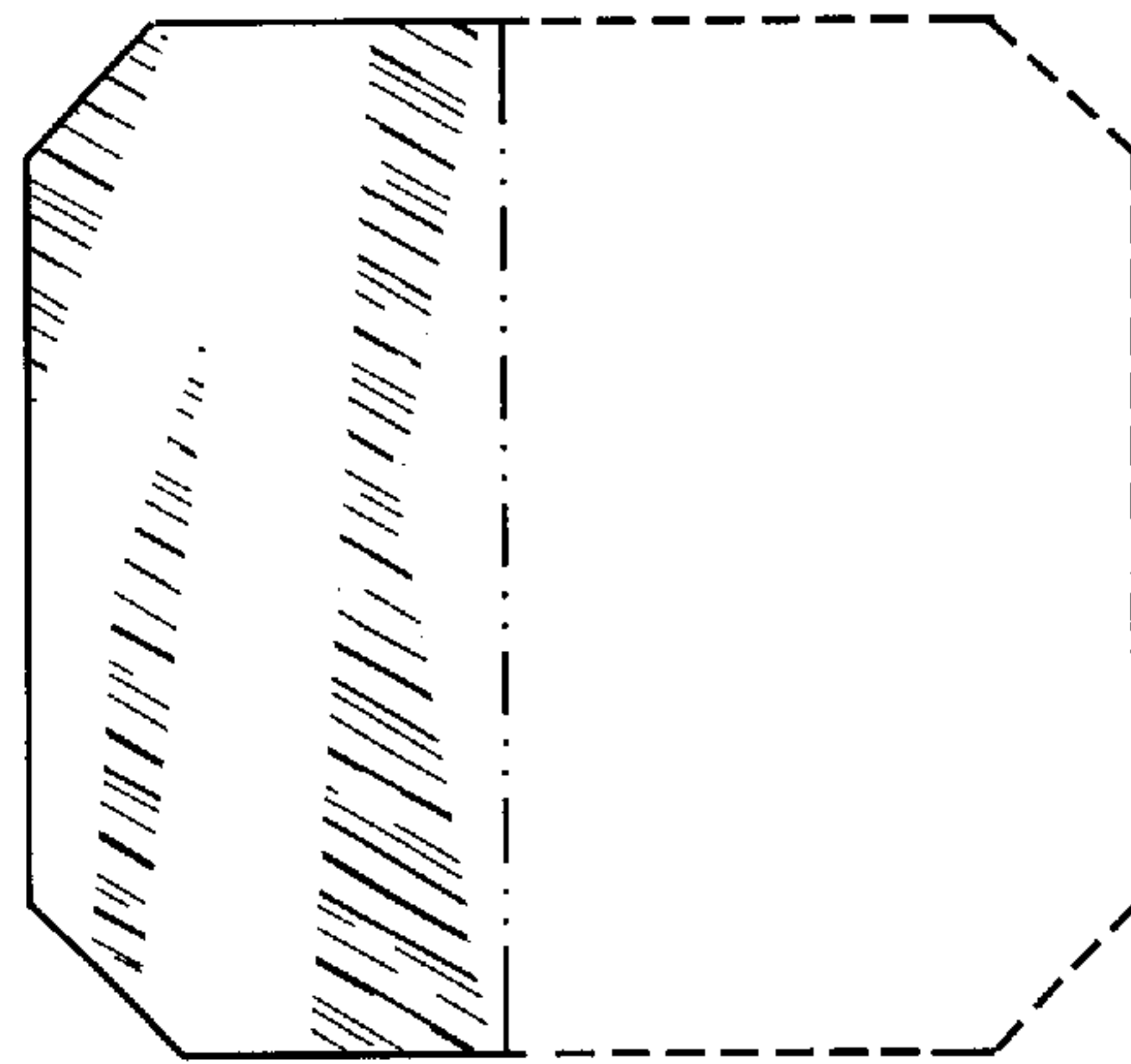


FIG. 3

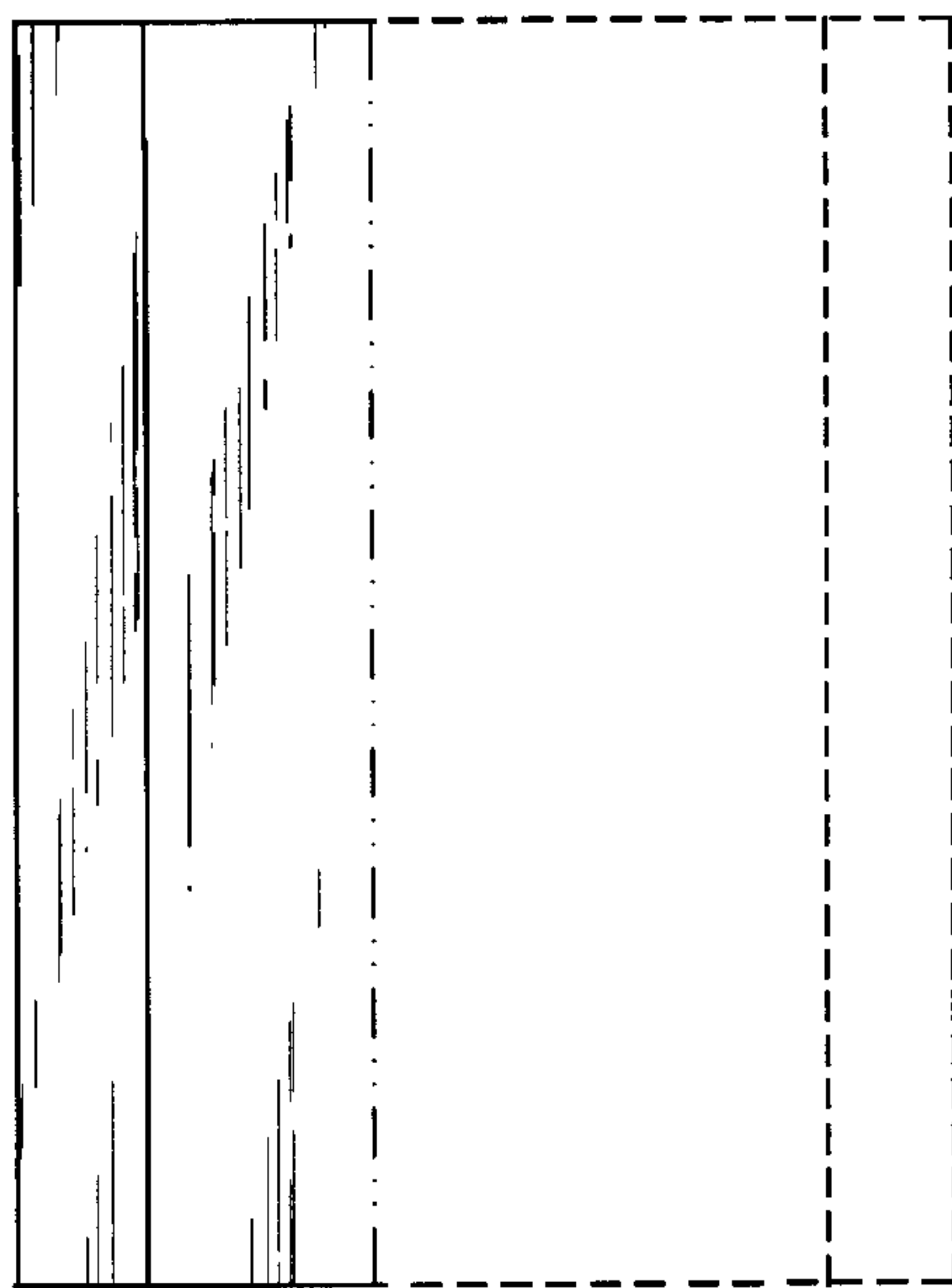


FIG. 4

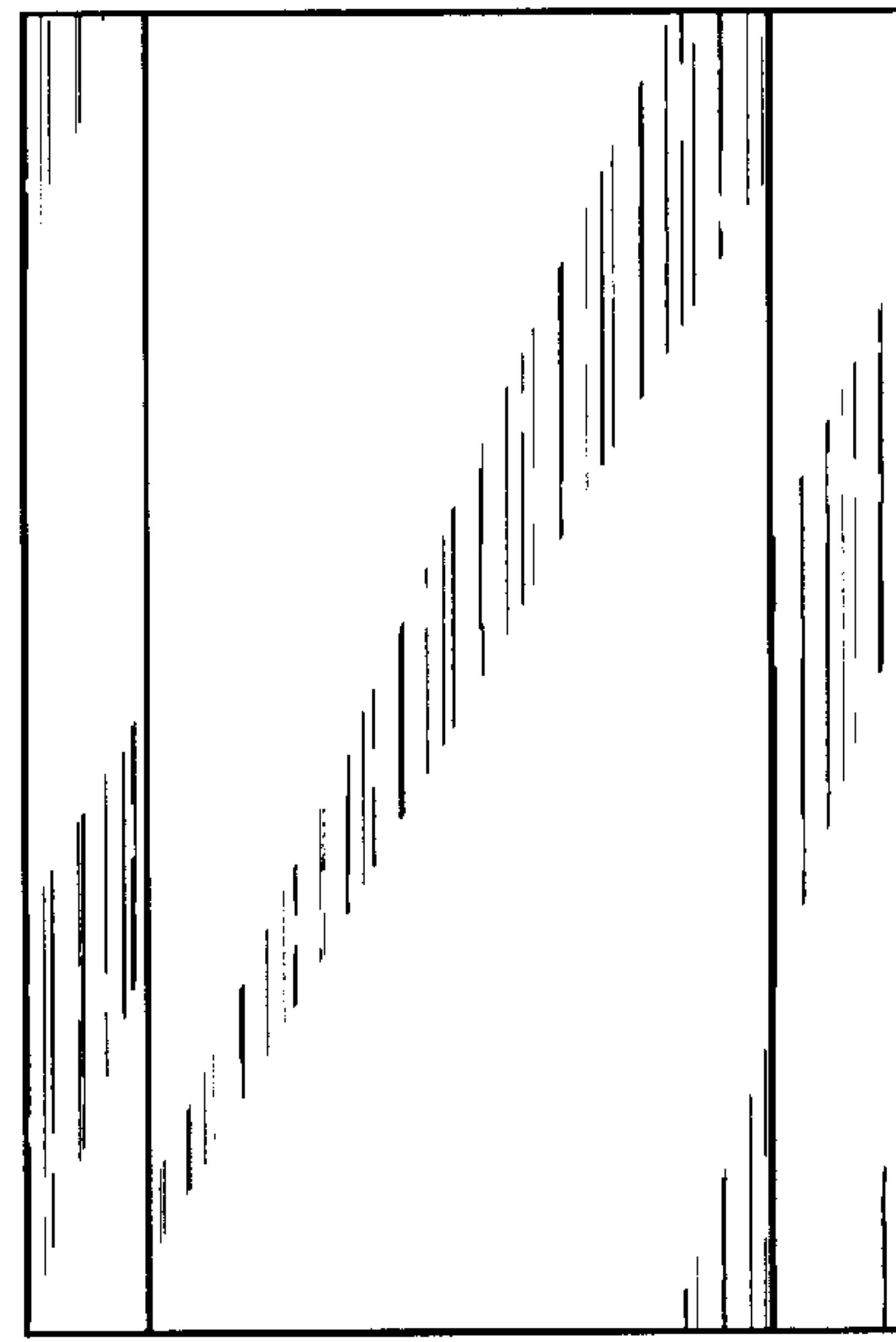


FIG. 5

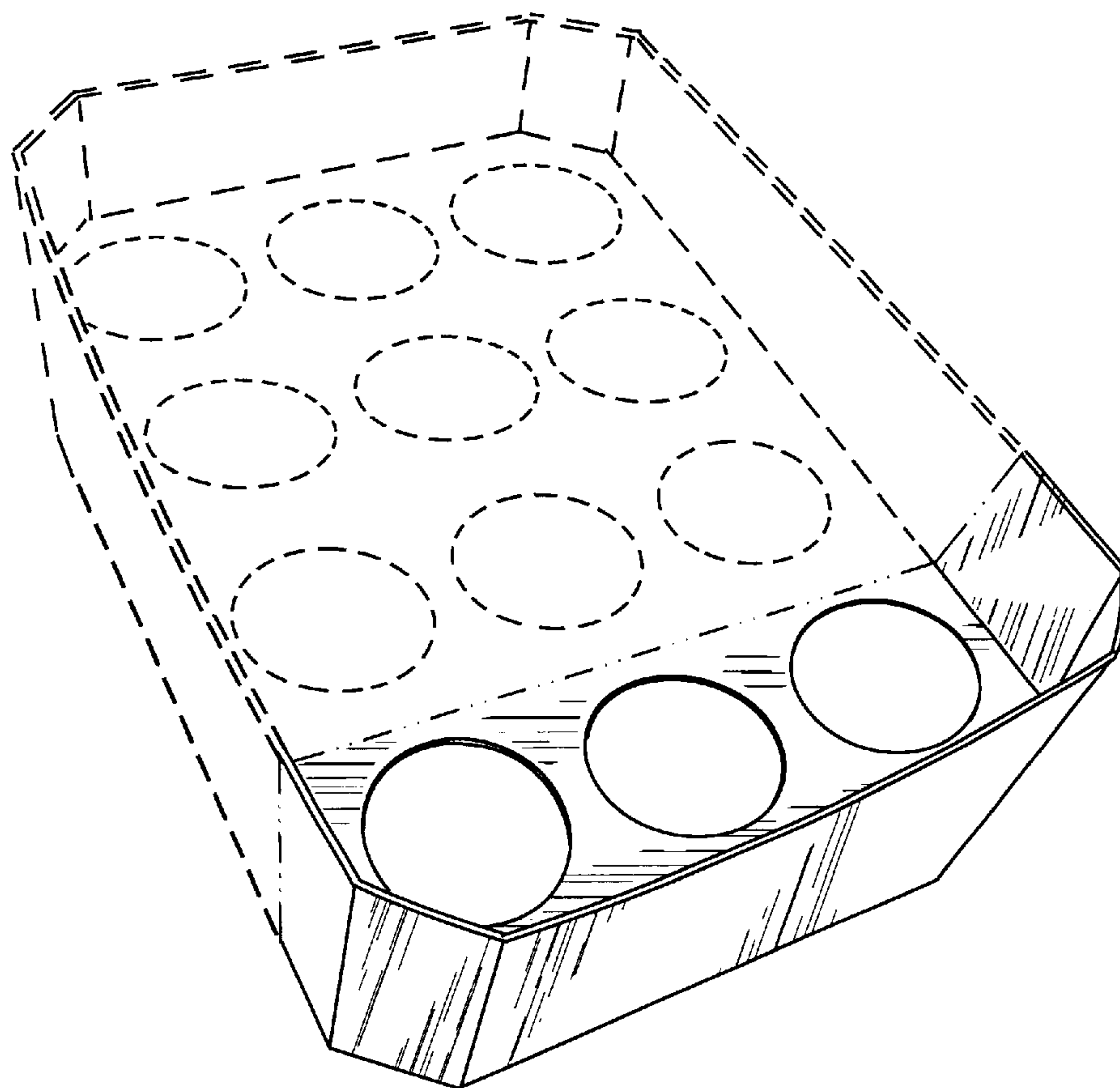


FIG. 6

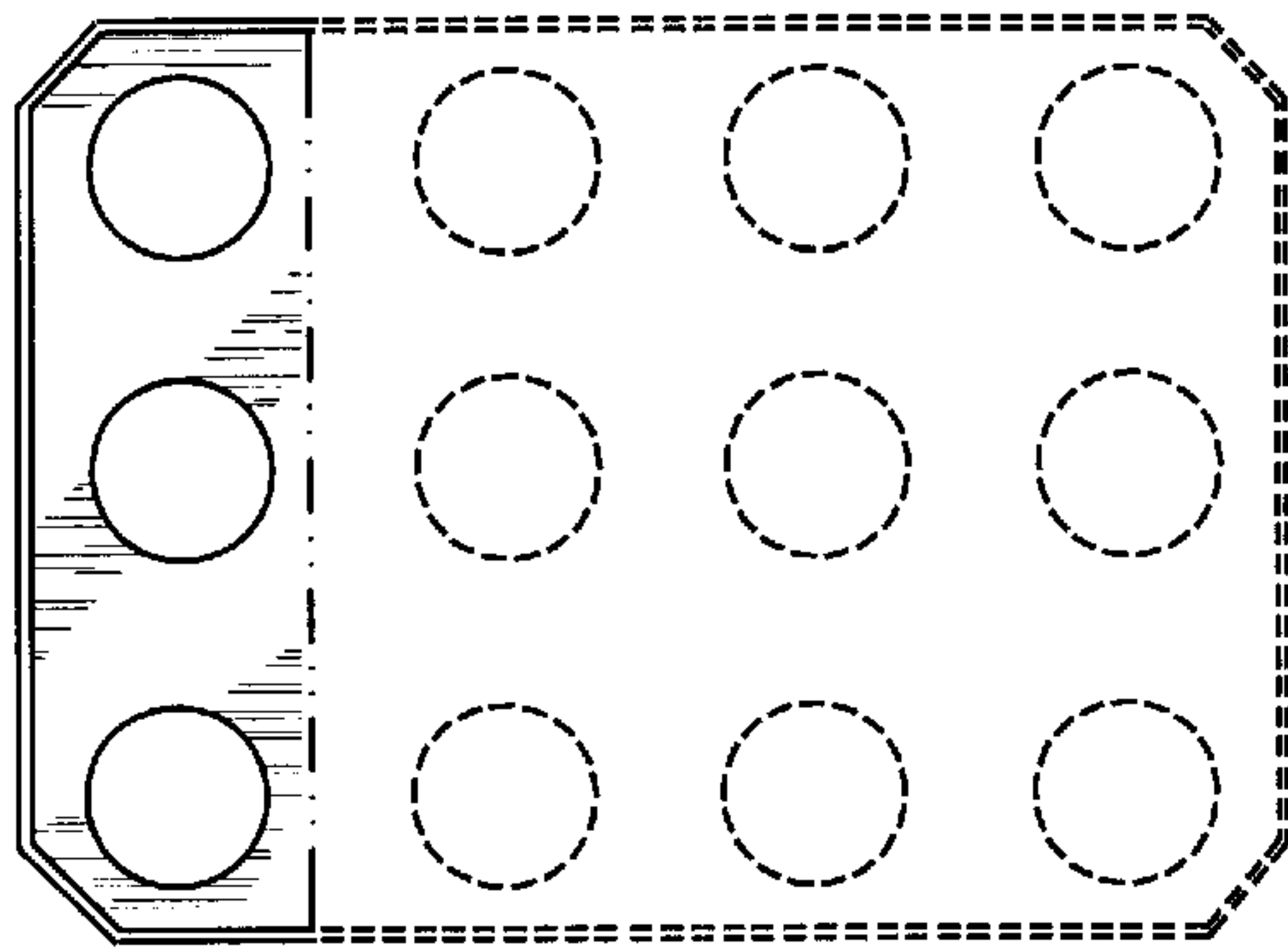


FIG. 7

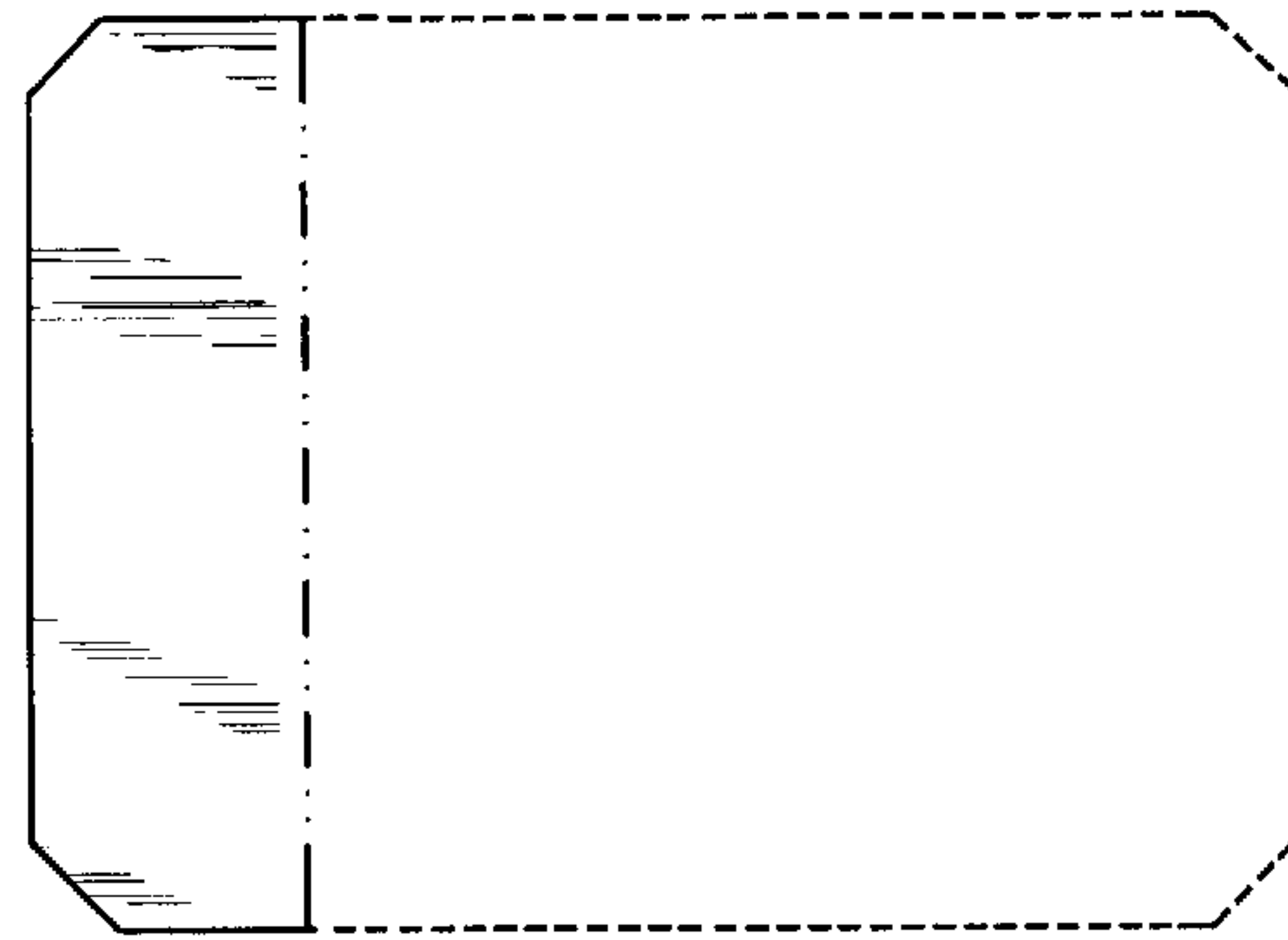


FIG. 8

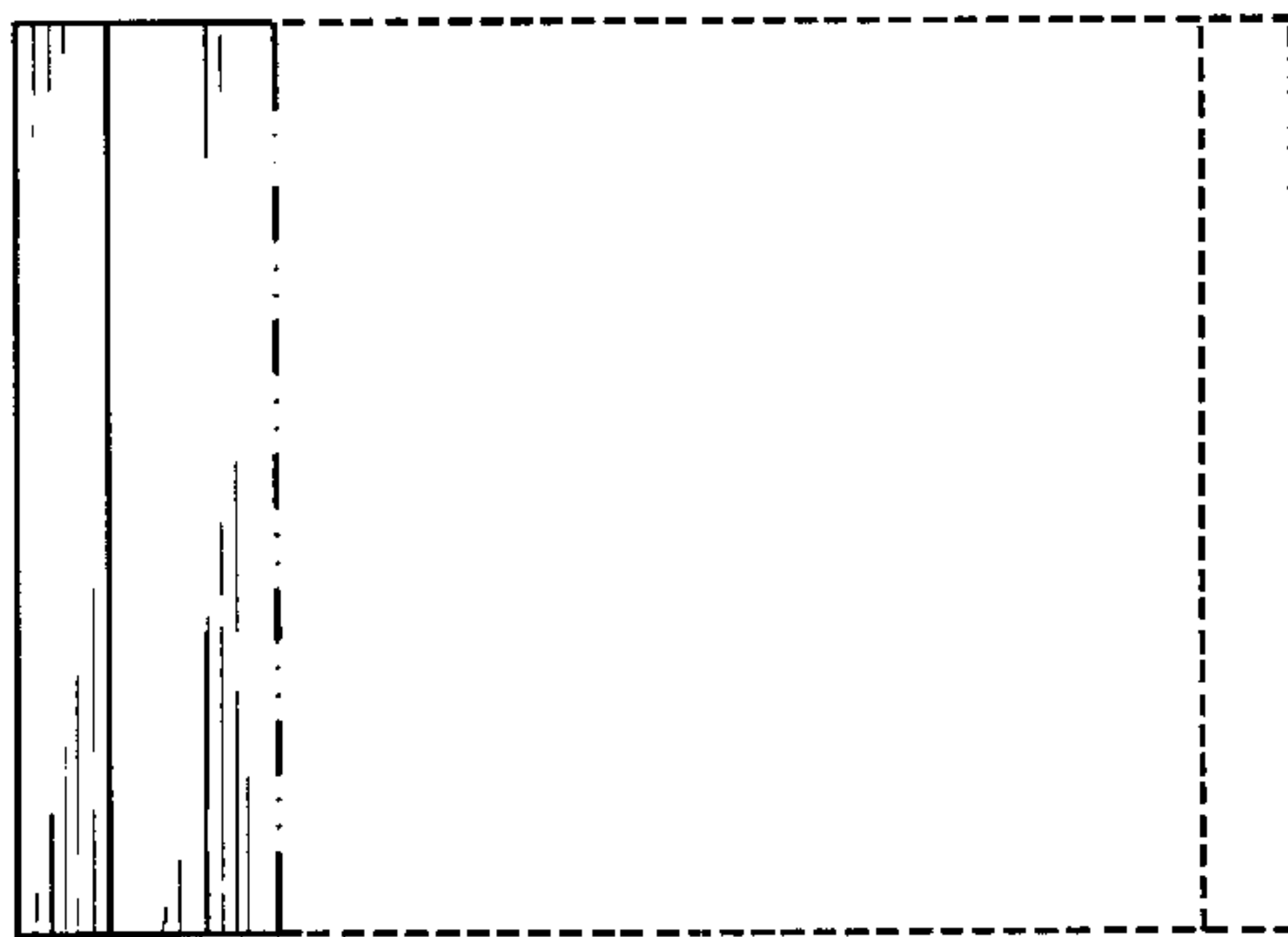


FIG. 9

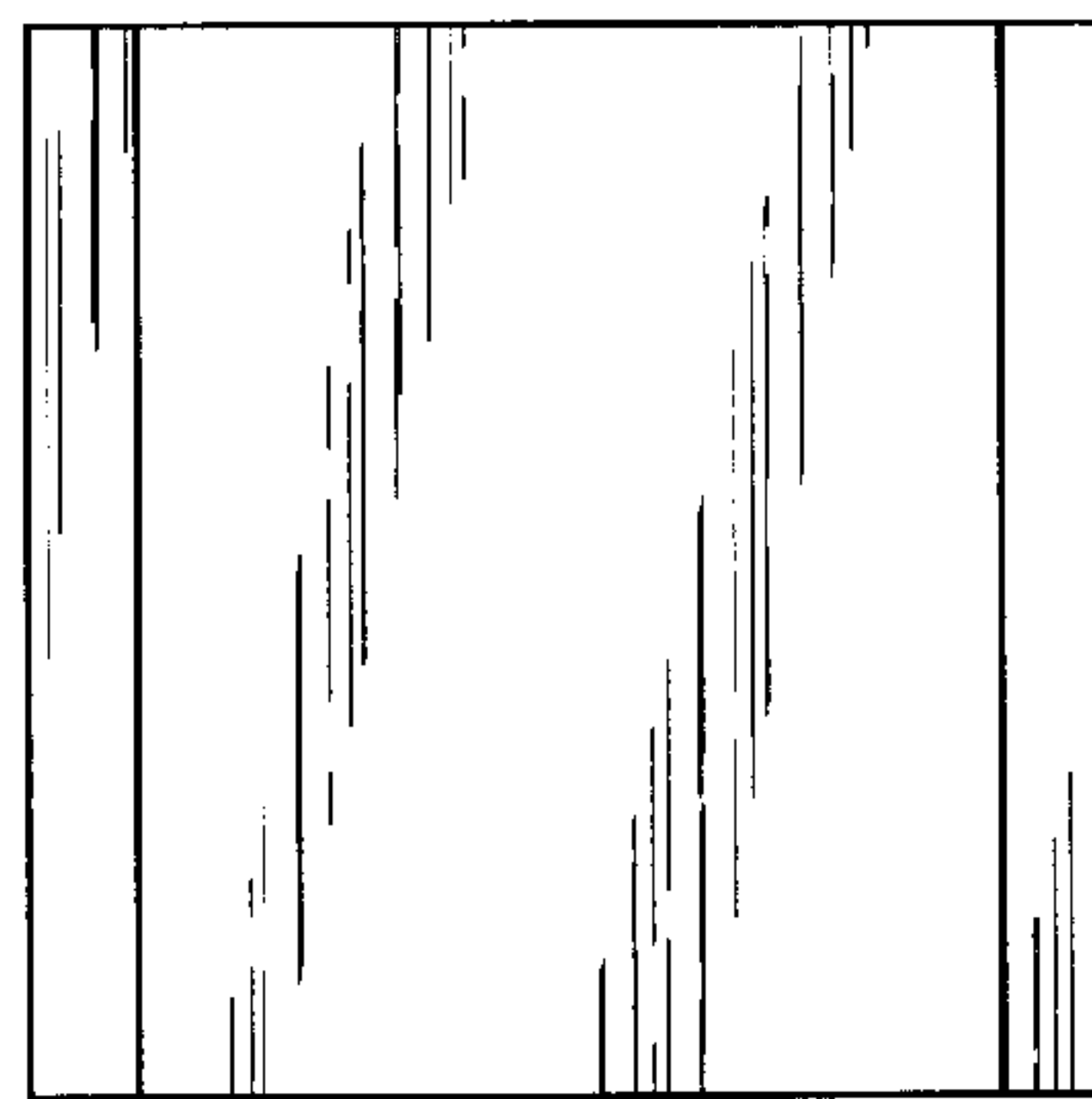


FIG. 10

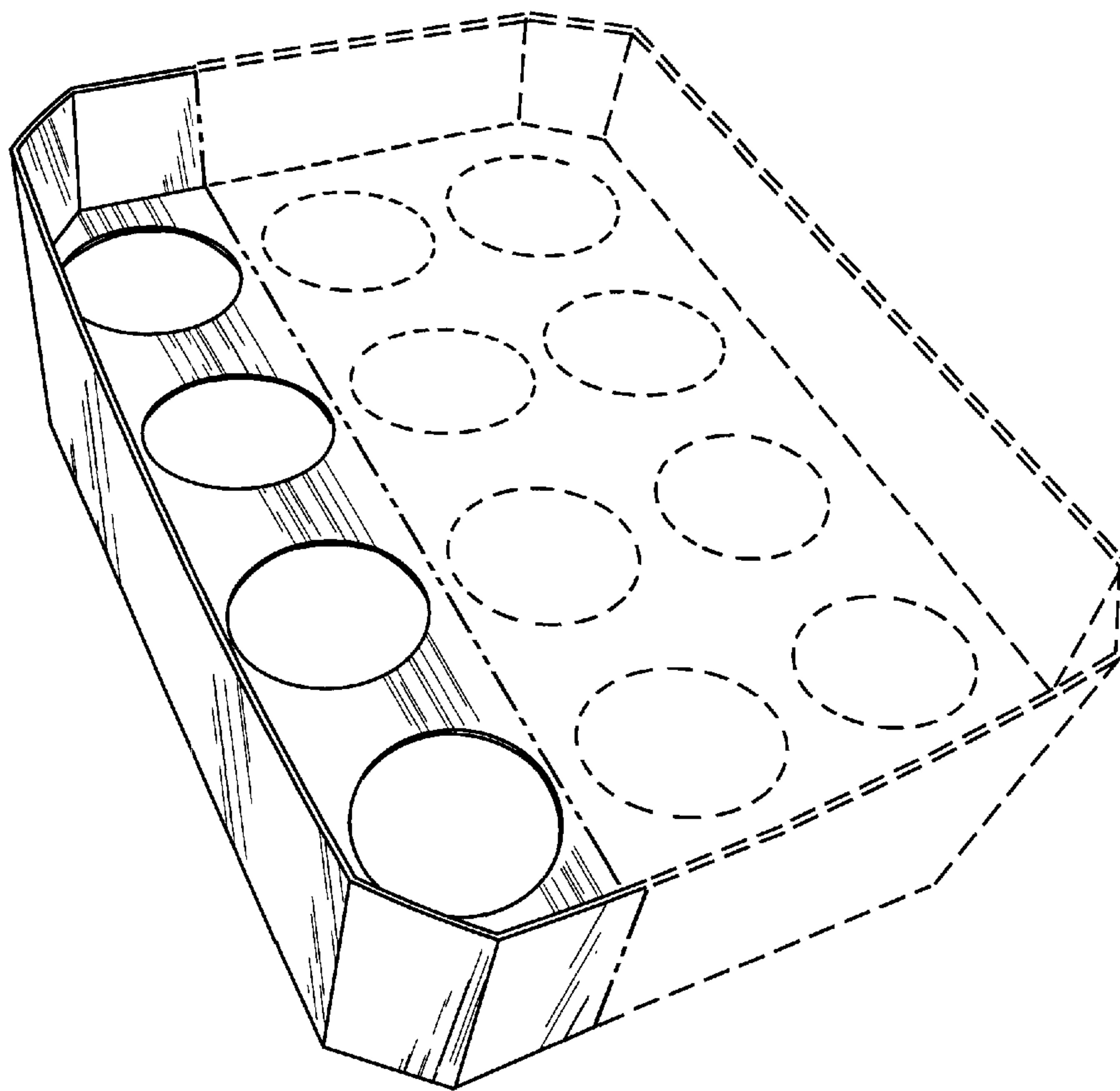


FIG. 11

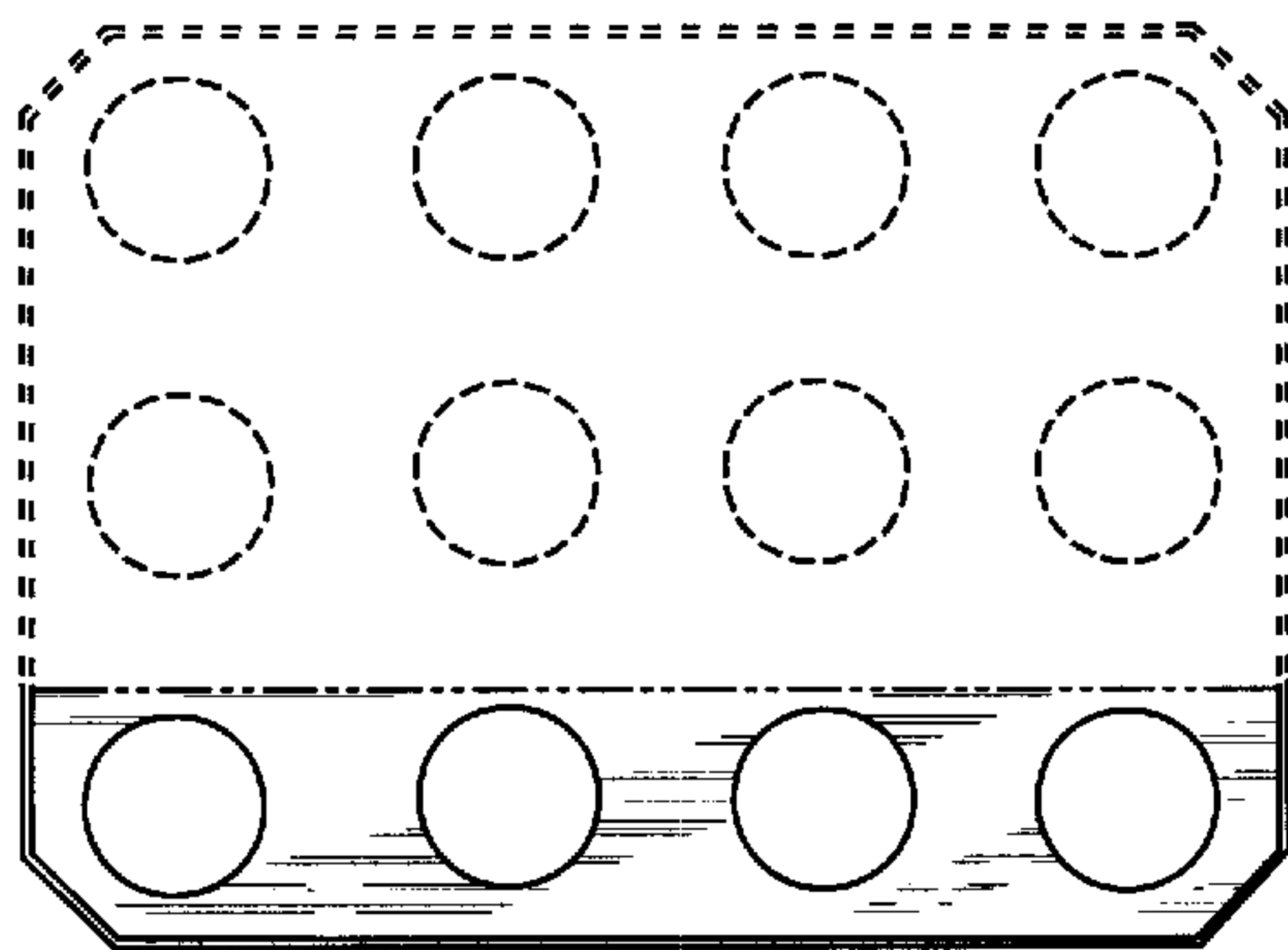


FIG. 12

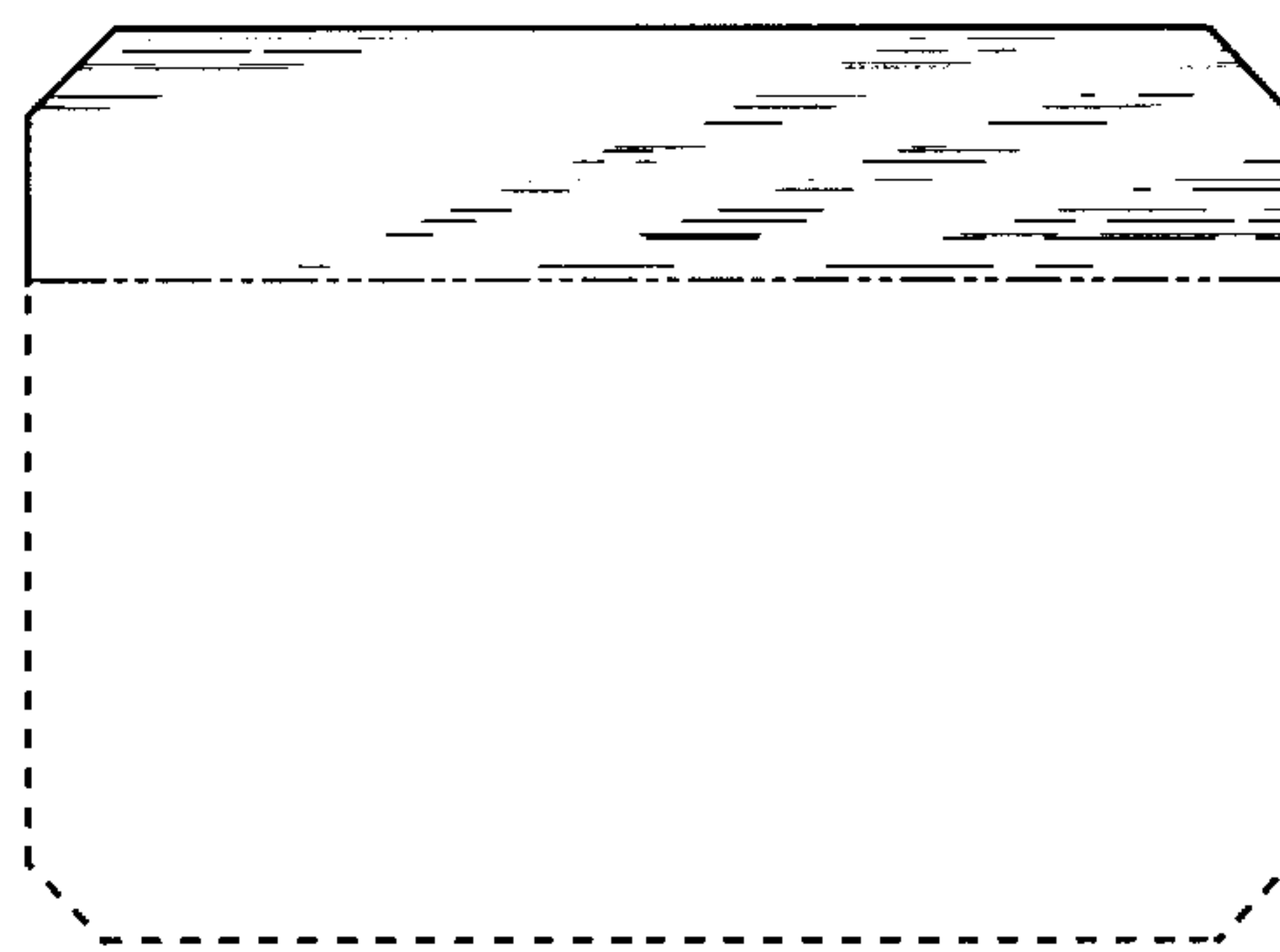


FIG. 13

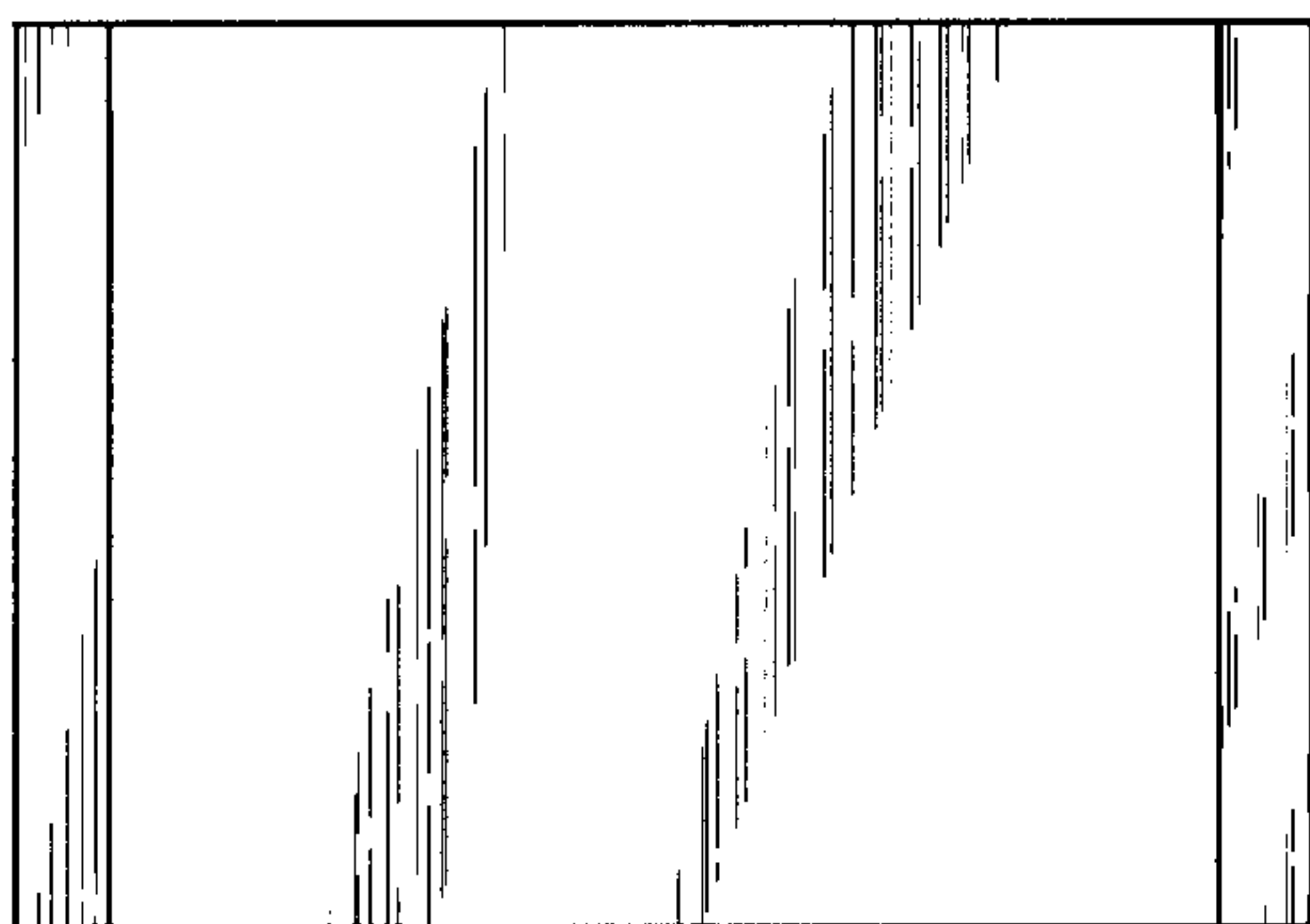


FIG. 14

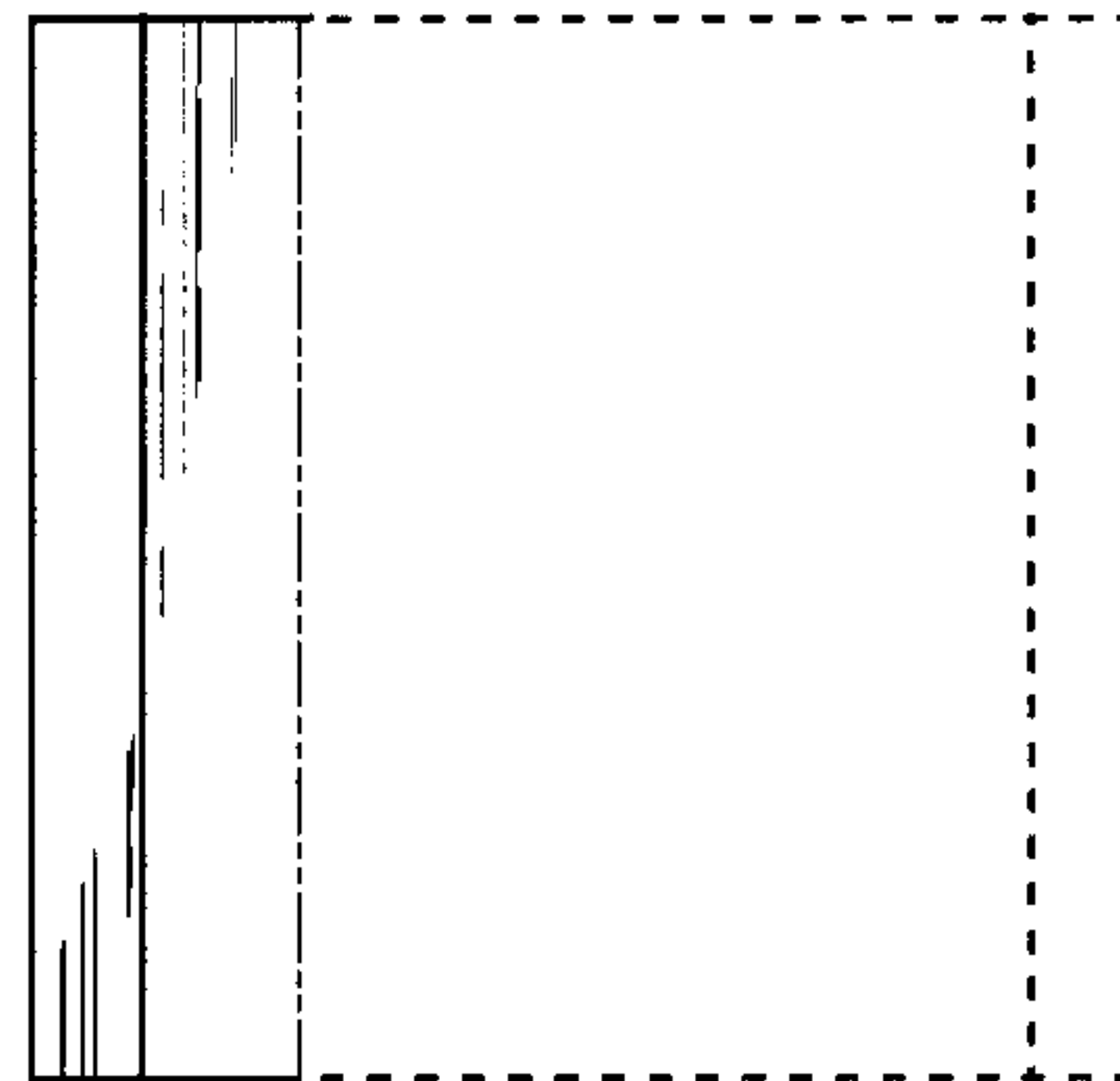


FIG. 15