



US00D528922S

(12) **United States Design Patent**
Desico et al.

(10) **Patent No.:** **US D528,922 S**

(45) **Date of Patent:** **** Sep. 26, 2006**

(54) **PLASTIC CONTAINER**

(75) Inventors: **Anthony Desico**, Rochester Hills, MI (US); **Gary I. Voss**, Medina, OH (US); **James J. Miller**, Barberton, OH (US)

(73) Assignee: **Plastipak Packaging, Inc.**, Plymouth, MI (US)

(**) Term: **14 Years**

(21) Appl. No.: **29/251,753**

(22) Filed: **Jan. 12, 2006**

(51) **LOC (8) Cl.** **09-01**

(52) **U.S. Cl.** **D9/533**

(58) **Field of Classification Search** D9/516,
D9/520, 522, 523, 528, 531, 533, 536, 543,
D9/560, 569, 572, 575; 206/527; 215/1 A,
215/1 L, 40, 43-49, 201, 379-384, 395-398;
220/660, 661, 669, 675, 767-773, DIG. 12;
222/481, 488, 489, 544, 566-568, 570
See application file for complete search history.

(56) **References Cited**

U.S. PATENT DOCUMENTS

D304,806 S * 11/1989 Mednis D9/520

D461,719 S * 8/2002 Nicodemus et al. D9/533
D475,629 S * 6/2003 Schlueter D9/533
D517,413 S * 3/2006 Murphy D9/522

* cited by examiner

Primary Examiner—Nanda Bondade

Assistant Examiner—Shanda C. Hill

(74) *Attorney, Agent, or Firm*—Robert H. Bachman

(57) **CLAIM**

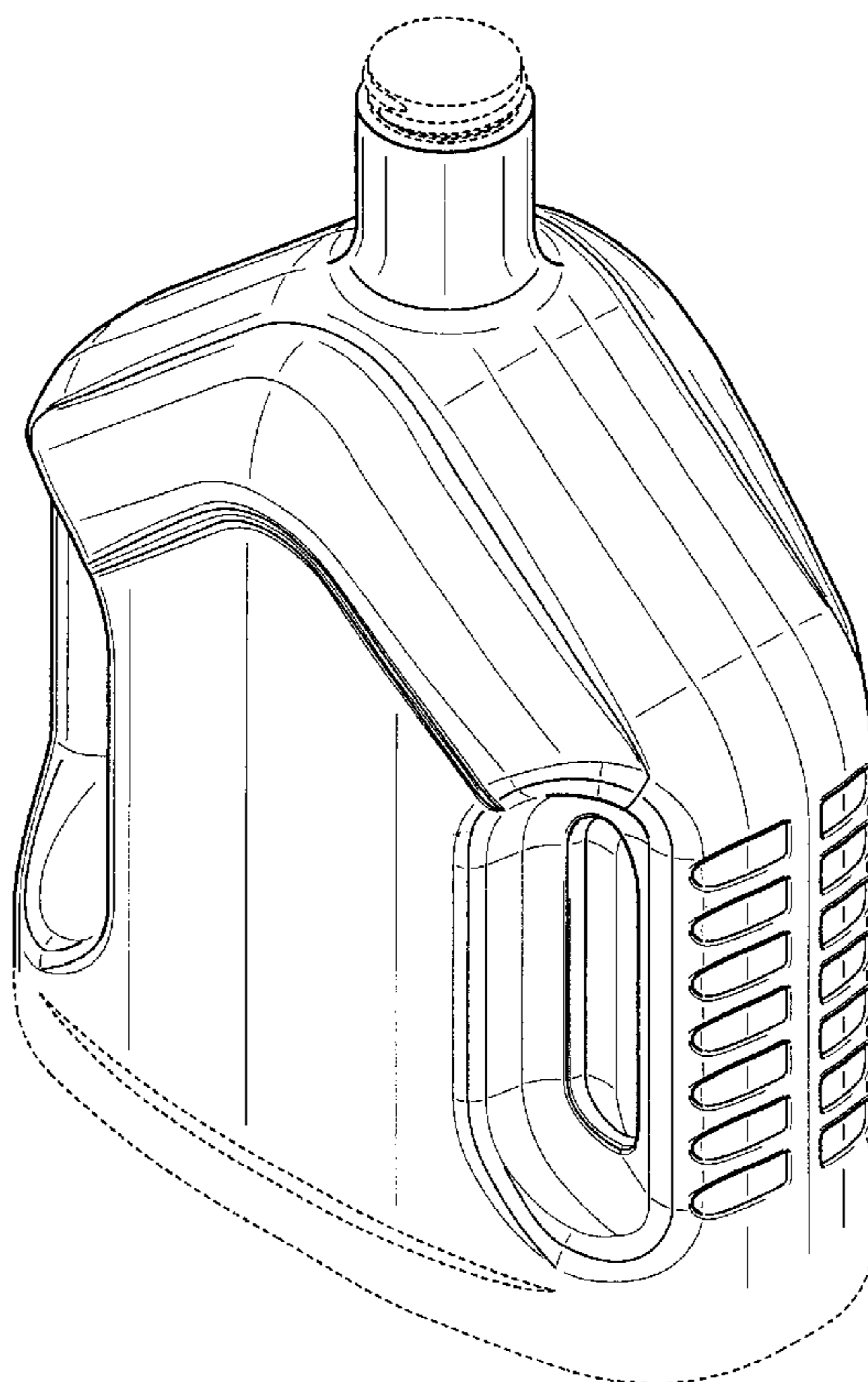
The ornamental design for a plastic container, as shown and described.

DESCRIPTION

FIG. 1 is a front, top, left perspective view of a plastic container showing our new design;
FIG. 2 is a left side elevational view thereof;
FIG. 3 is a right side elevational view thereof;
FIG. 4 is a front elevational view thereof;
FIG. 5 is a rear elevational view thereof;
FIG. 6 is a top plan view thereof; and,
FIG. 7 is a bottom plan view thereof.

The broken lines shown in the drawing disclosure are for illustrative purposes only and form no part of the claimed design.

1 Claim, 6 Drawing Sheets



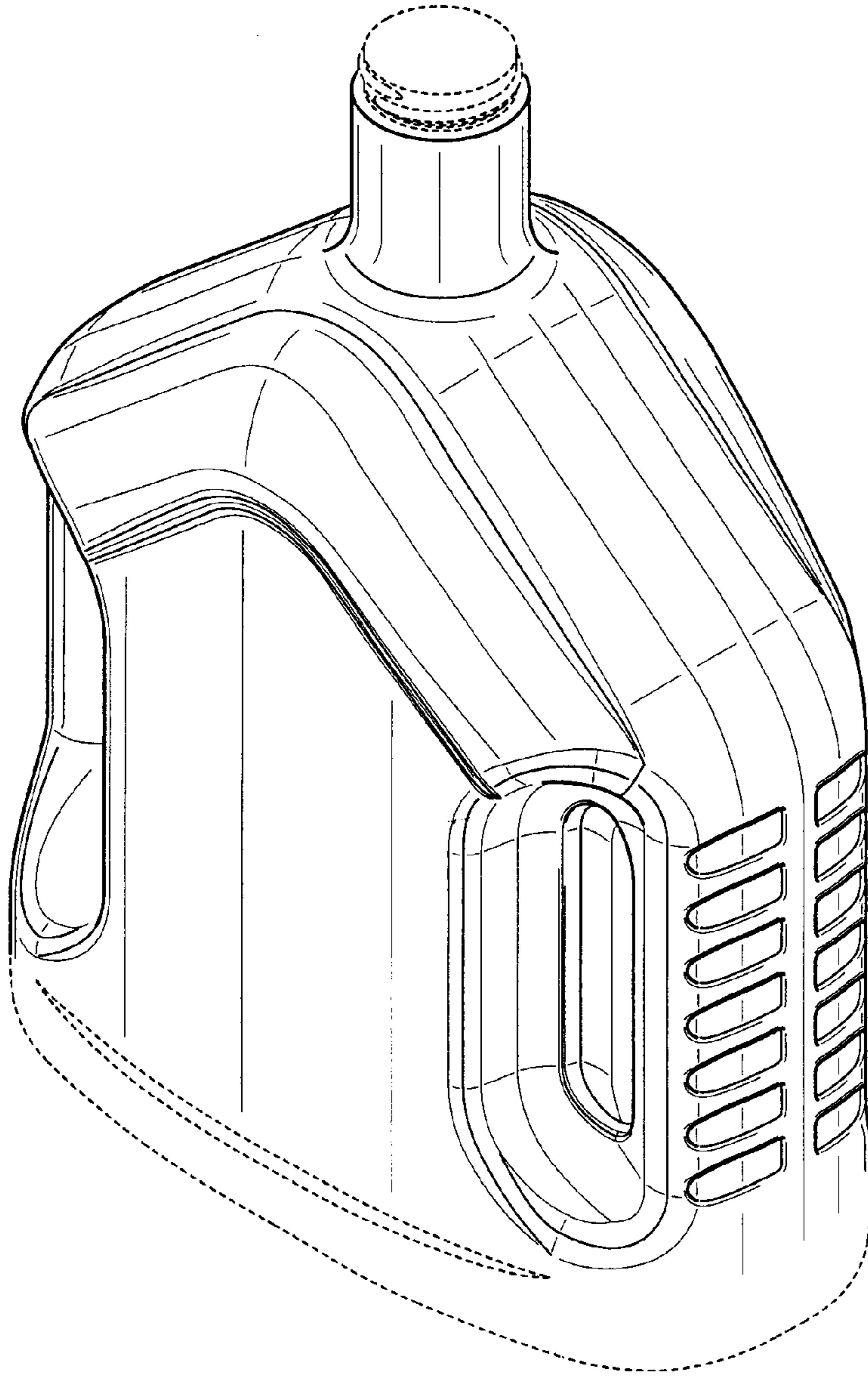


FIG. 1

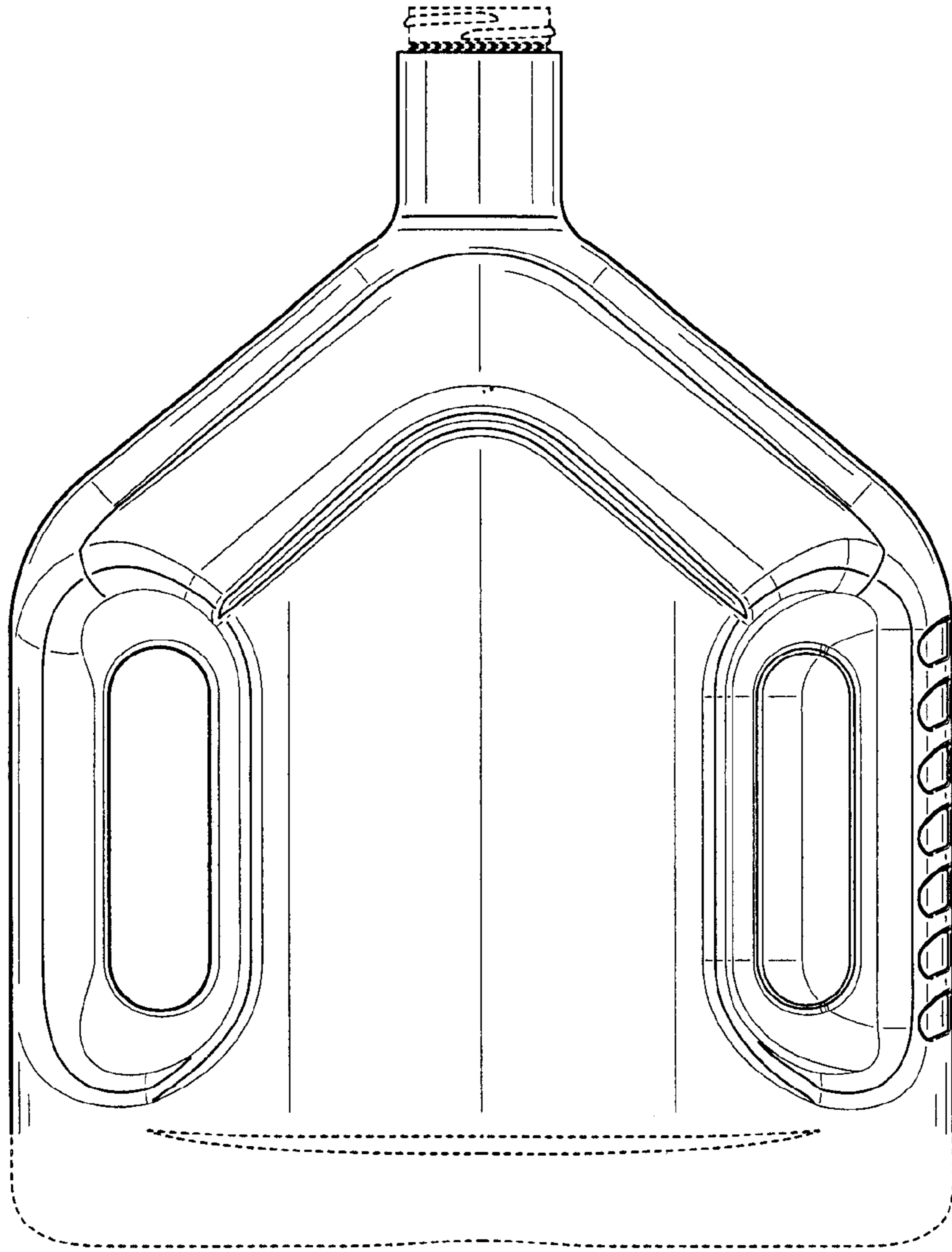


FIG. 2

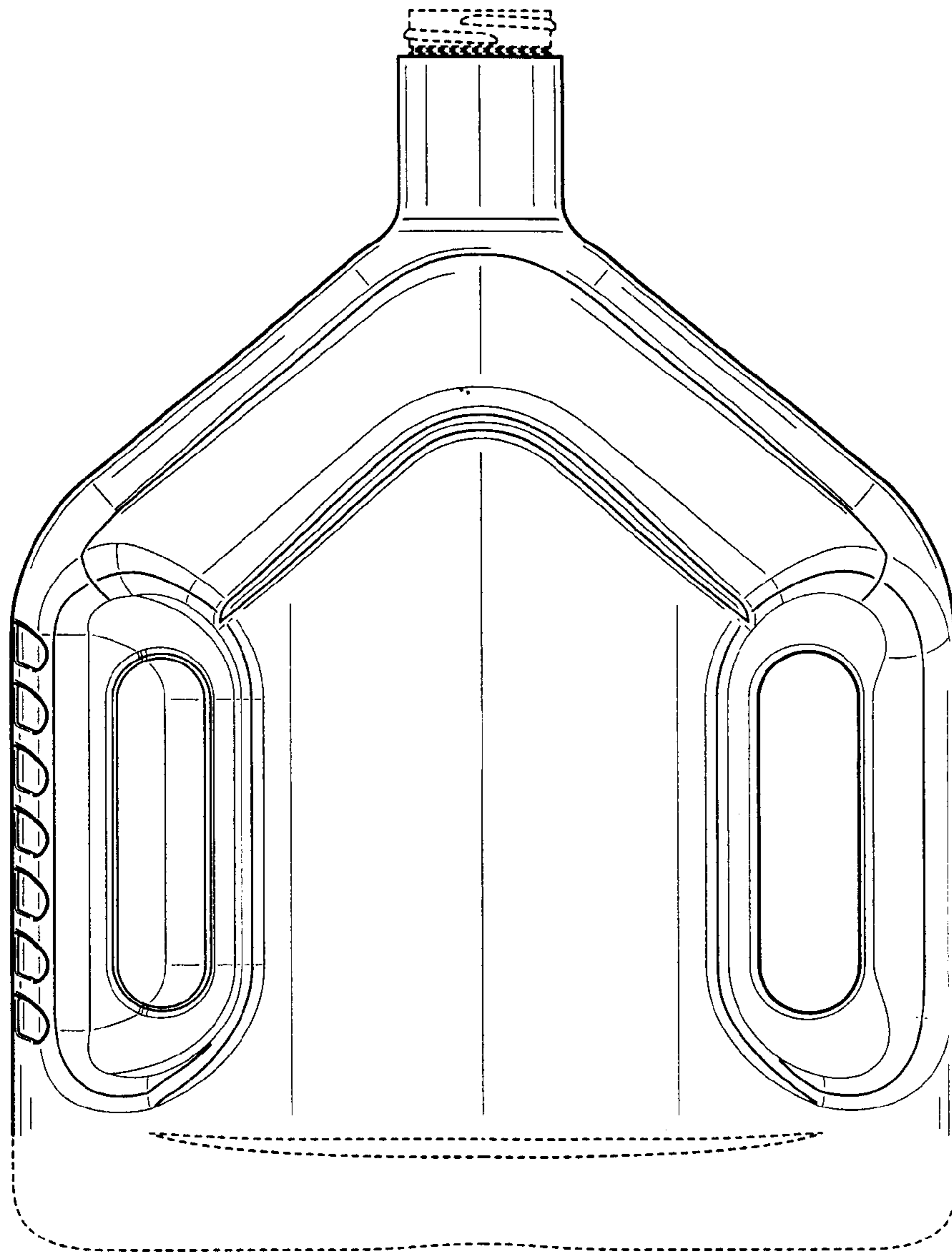


FIG. 3

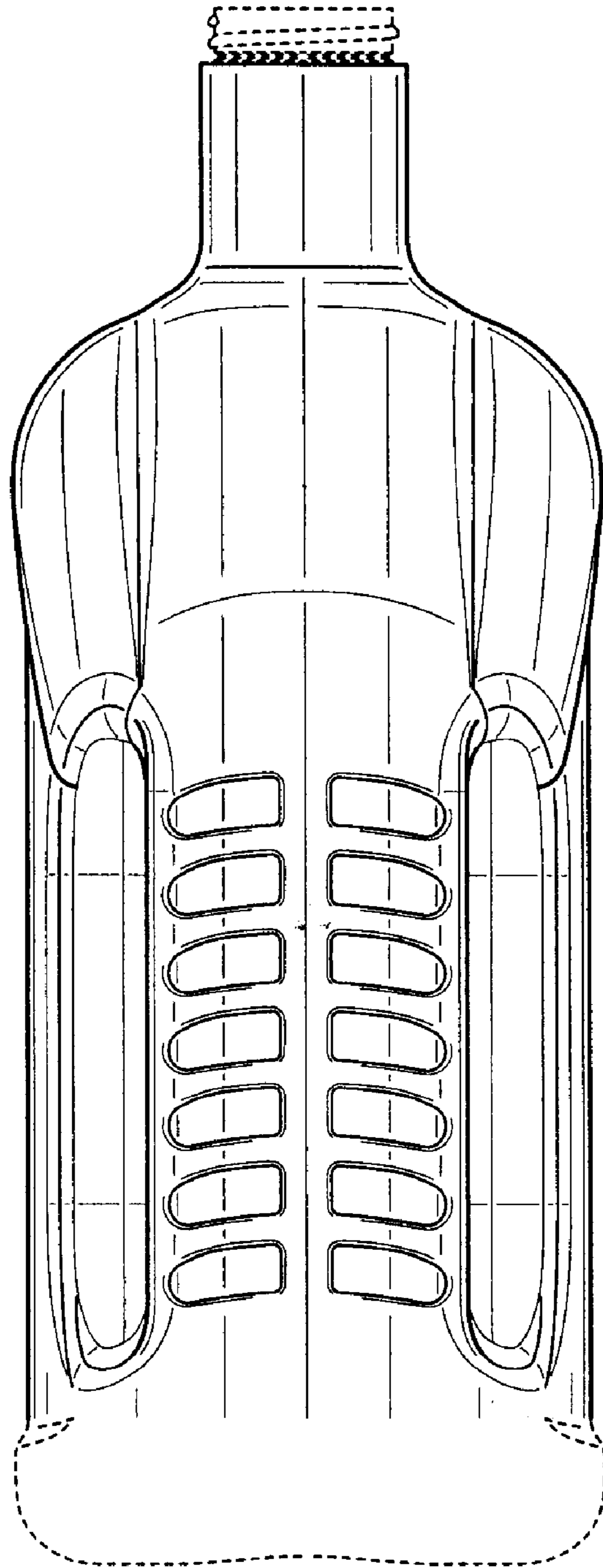


FIG. 4

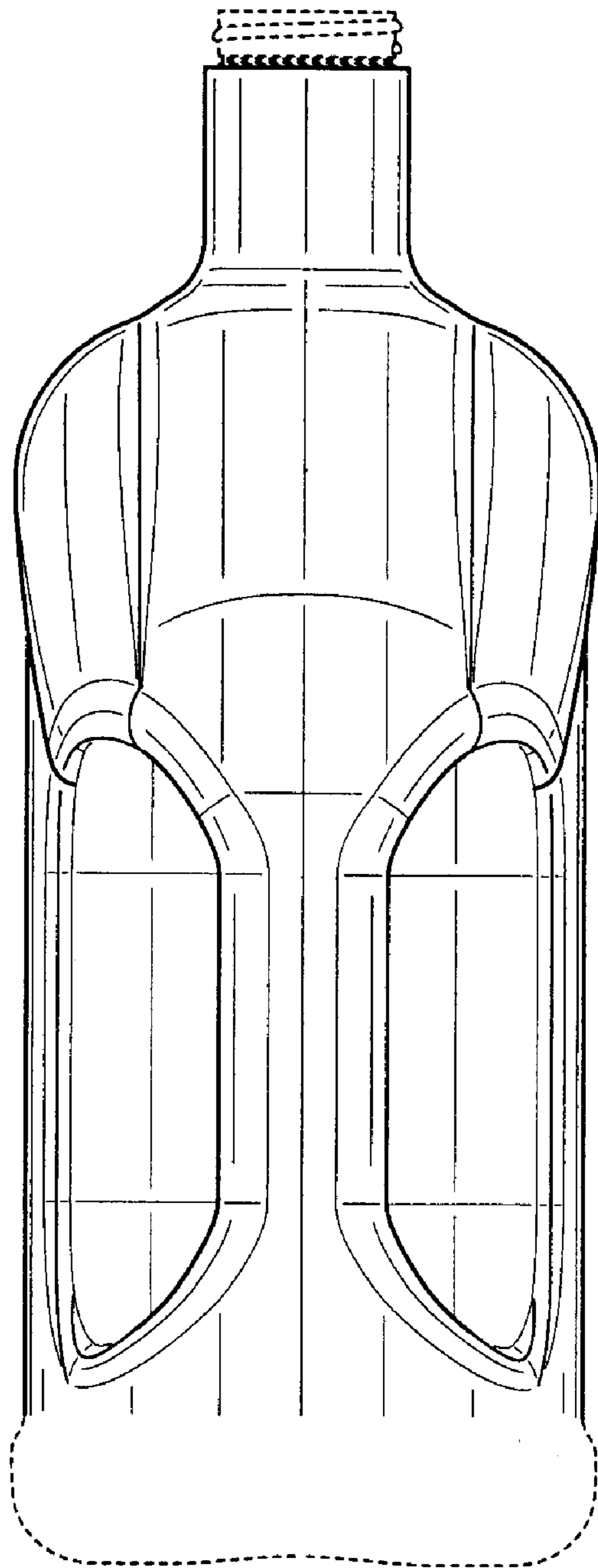


FIG. 5

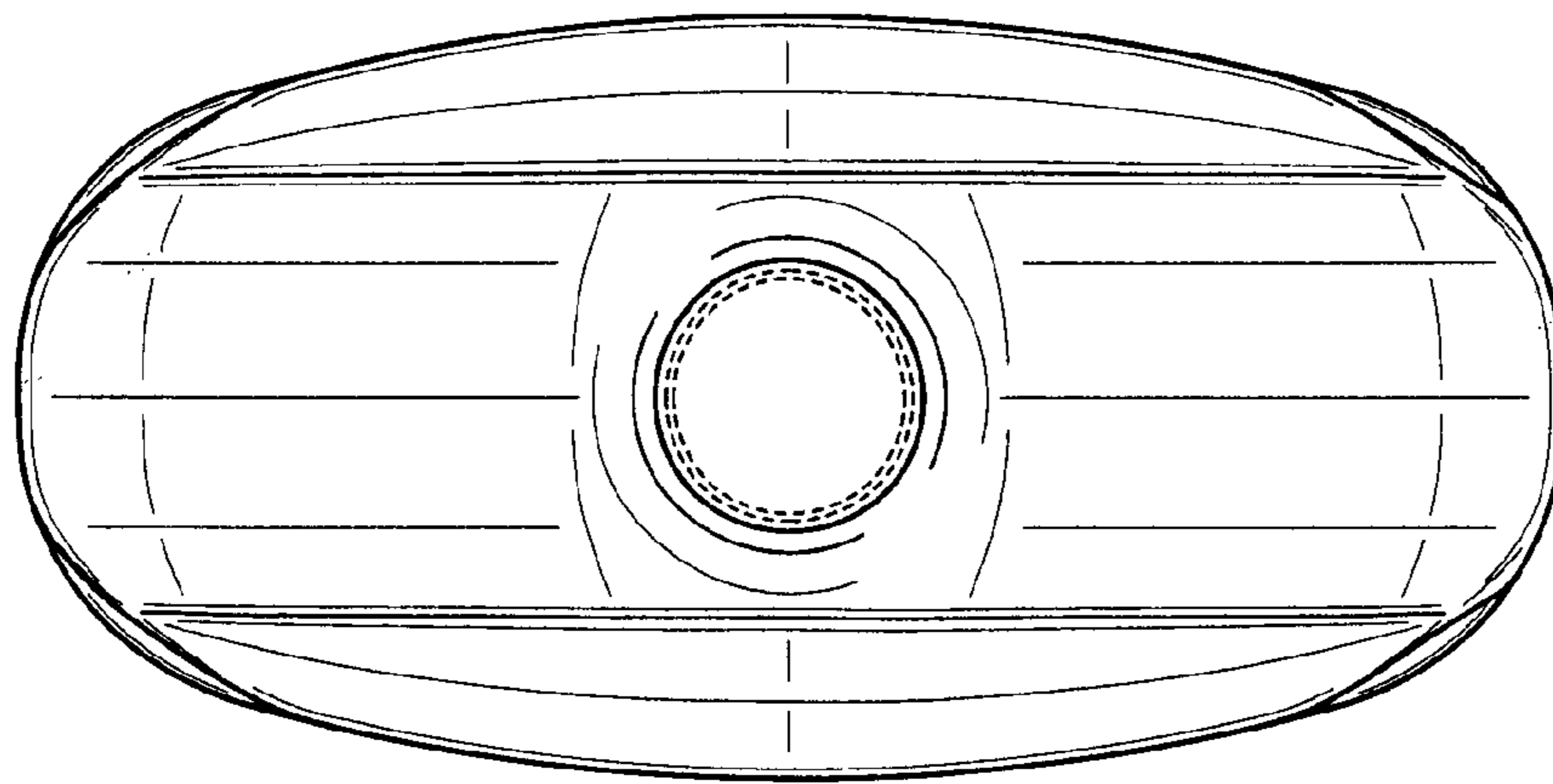


FIG. 6

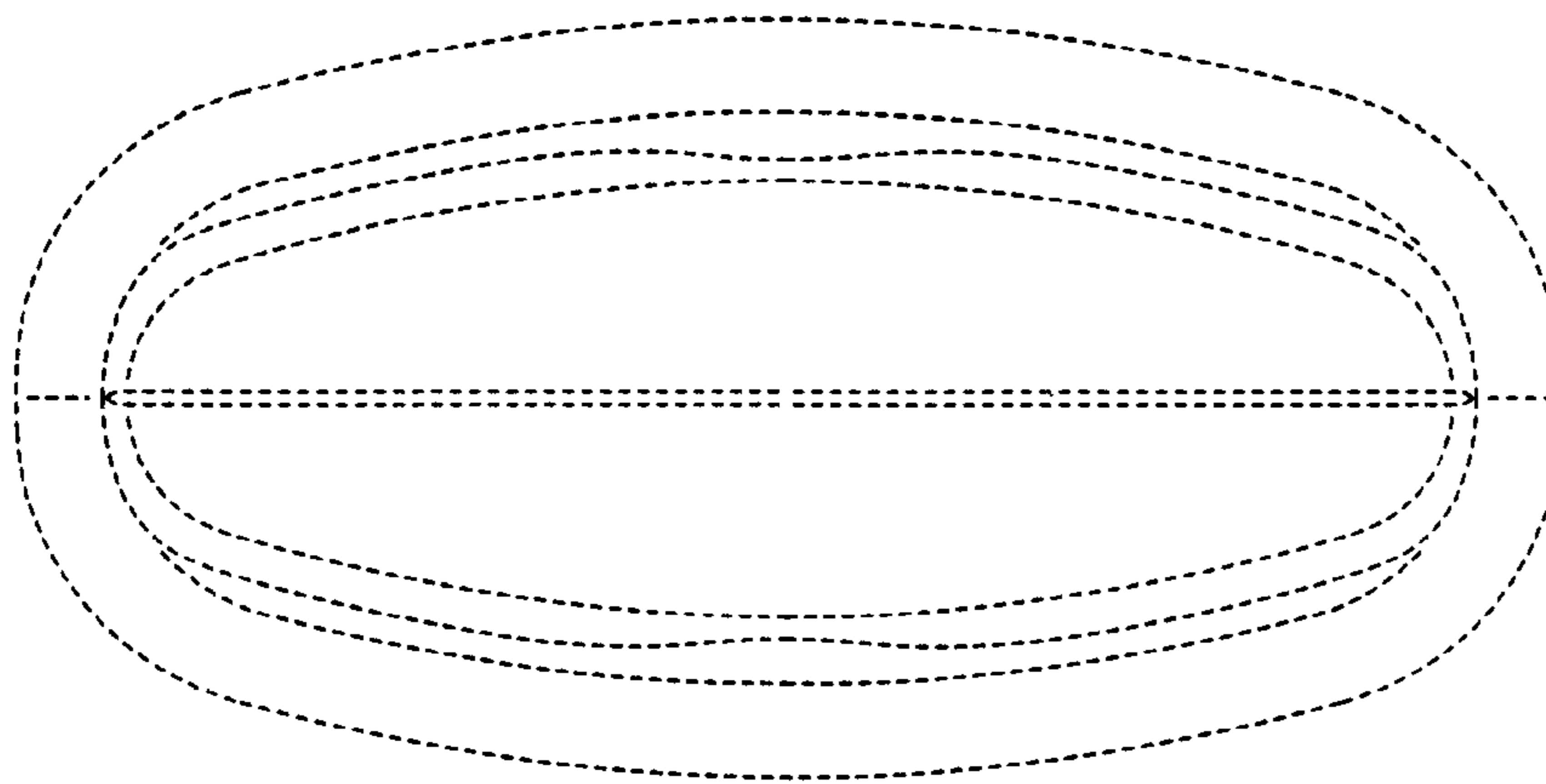


FIG. 7