



US00D528914S

(12) **United States Design Patent**  
**Williams**

(10) **Patent No.:** **US D528,914 S**

(45) **Date of Patent:** **\*\* Sep. 26, 2006**

(54) **DECORATIVE BOTTLE ACCESSORY**

(75) Inventor: **Dean Williams**, Pontyclun (GB)

(73) Assignee: **The Procter & Gamble Company**,  
Cincinnati, OH (US)

(\*\*) Term: **14 Years**

(21) Appl. No.: **29/210,713**

(22) Filed: **Aug. 4, 2004**

(51) **LOC (8) Cl.** ..... **09-07**

(52) **U.S. Cl.** ..... **D9/451; D9/434; D9/448**

(58) **Field of Classification Search** ..... D9/607,  
D9/604, 601, 600, 434, 451, 448; D7/578,  
D7/516; D5/26; D4/125; D3/21, 14, 6; D21/836,  
D21/600, 427, 415; D2/982, 899, 508, 505;  
D11/100; D1/107; 222/78; 206/457  
See application file for complete search history.

(56) **References Cited**

**U.S. PATENT DOCUMENTS**

- 3,212,663 A 10/1965 Greenwell
- 3,738,054 A \* 6/1973 Petrusek ..... 446/304
- D230,953 S 3/1974 Edwards
- D241,011 S 8/1976 Pettengill
- D242,121 S \* 11/1976 Stoddard ..... D9/607
- D248,088 S 6/1978 Britt
- D272,723 S 2/1984 Baker
- D273,767 S 5/1984 Weiler
- D282,310 S \* 1/1986 Valori ..... D2/899
- D285,174 S 8/1986 Teschner
- D288,842 S 3/1987 Kwiatkowski
- D289,259 S 4/1987 Strand
- D292,773 S 11/1987 Carlson
- D306,692 S \* 3/1990 Ferrero ..... D9/607
- 4,979,925 A \* 12/1990 Bergersen ..... 446/297
- D327,003 S 6/1992 Schneider et al.
- D329,507 S \* 9/1992 Assmann ..... D28/18
- D334,705 S 4/1993 Pereira et al.
- D336,845 S 6/1993 Carroll et al.
- D337,272 S 7/1993 Joo
- D343,793 S 2/1994 Crawford
- D349,858 S 8/1994 Lonczak et al.

- D356,038 S 3/1995 Biesecker
- D364,093 S 11/1995 Weaver, Jr.
- D368,771 S 4/1996 Patel et al.
- D372,198 S 7/1996 Lathrop et al.
- D372,199 S 7/1996 Lathrop et al.
- D372,859 S 8/1996 Lathrop et al.
- D372,860 S 8/1996 Lathrop et al.
- D376,320 S 12/1996 Lathrop et al.
- D380,159 S 6/1997 Lathrop et al.
- D380,355 S 7/1997 Husted
- D399,756 S 10/1998 Lonczak et al.
- D407,316 S 3/1999 Zaksenberg
- D408,293 S 4/1999 Bakic

(Continued)

**OTHER PUBLICATIONS**

www.alextoys.com, RubaDub Toothpaste Pet—Frog, Aug. 4, 2004.

*Primary Examiner*—Robert M. Spear  
*Assistant Examiner*—Susan Bennett Hattan  
(74) *Attorney, Agent, or Firm*—Edwards & Milbrada;  
Matthew P. Fitzpatrick; Sarah Ann Dressel

(57) **CLAIM**

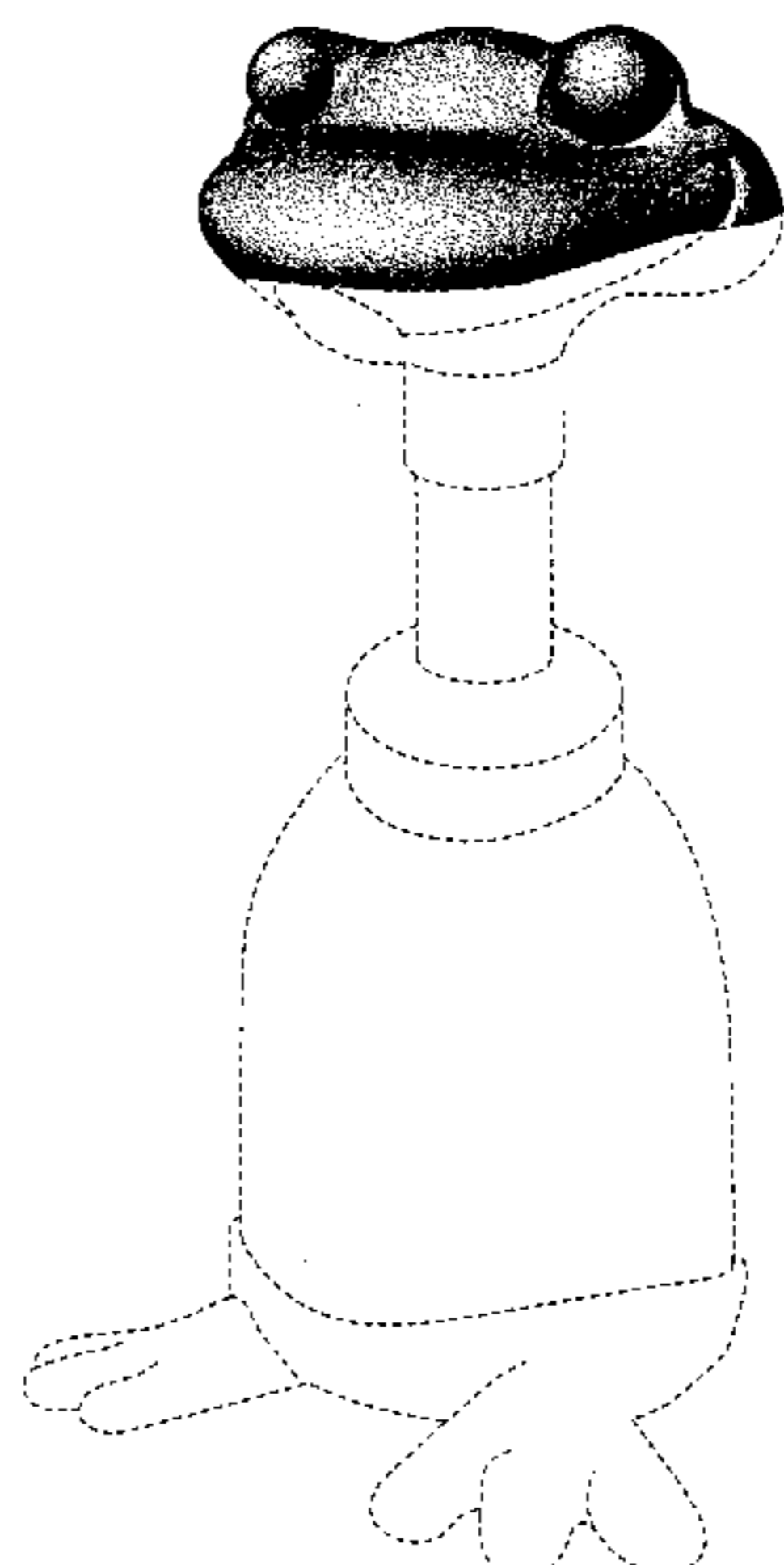
The ornamental design for a “decorative bottle accessory,” as shown and described.

**DESCRIPTION**

FIG. 1 is a perspective view of a decorative bottle accessory showing our new design;  
FIG. 2 is a front elevational view of the decorative bottle accessory of FIG. 1;  
FIG. 3 is a left side elevational view of the decorative bottle accessory of FIG. 1, the right side elevational view being a mirror image thereof;  
FIG. 4 is a rear elevational view of the decorative bottle accessory of FIG. 1; and,  
FIG. 5 is a top plan view of the decorative bottle accessory of FIG. 1.

The dashed lines are for illustrative purposes only and form no part of the claimed design.

**1 Claim, 5 Drawing Sheets**



# US D528,914 S

Page 2

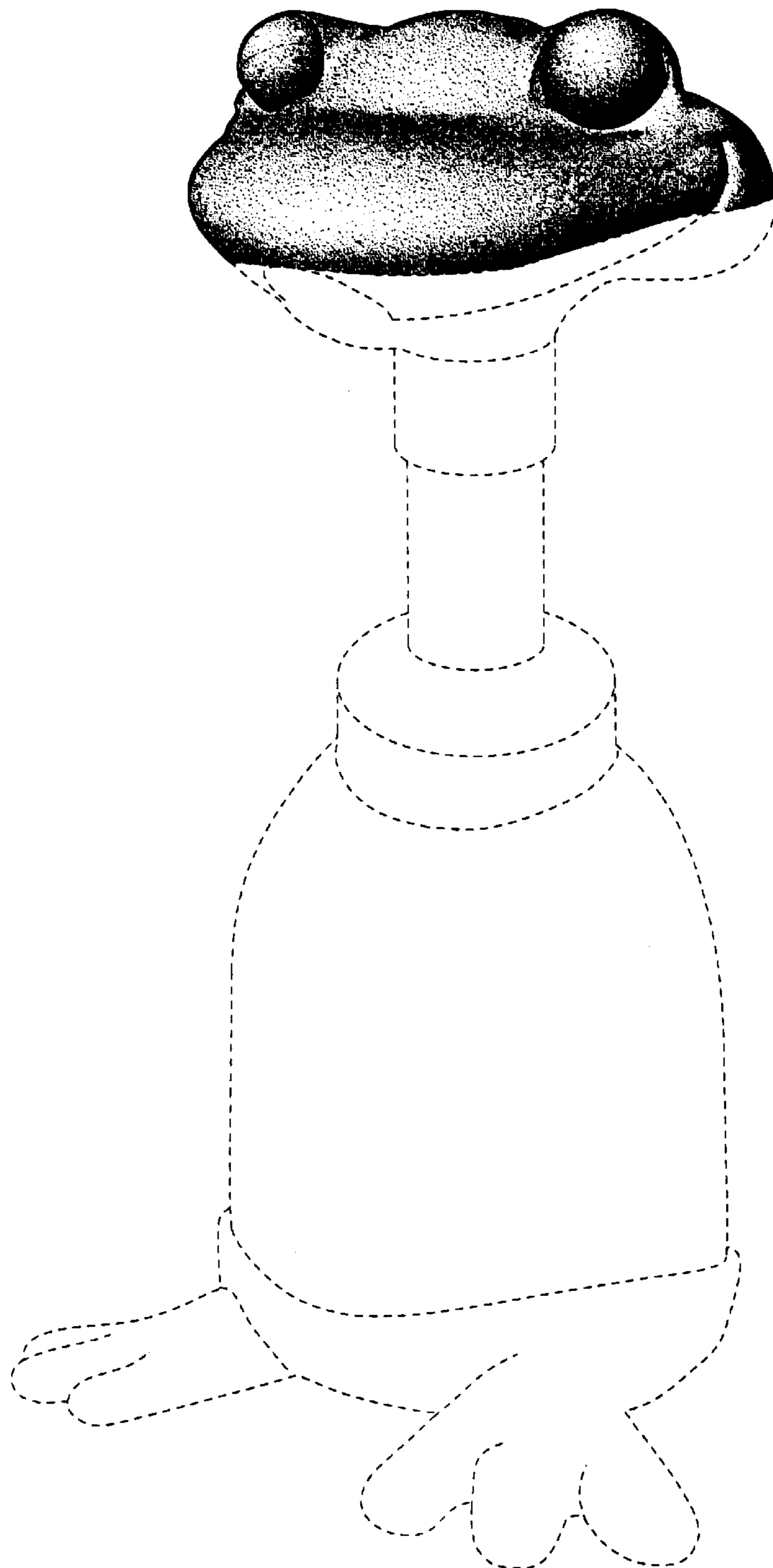
---

## U.S. PATENT DOCUMENTS

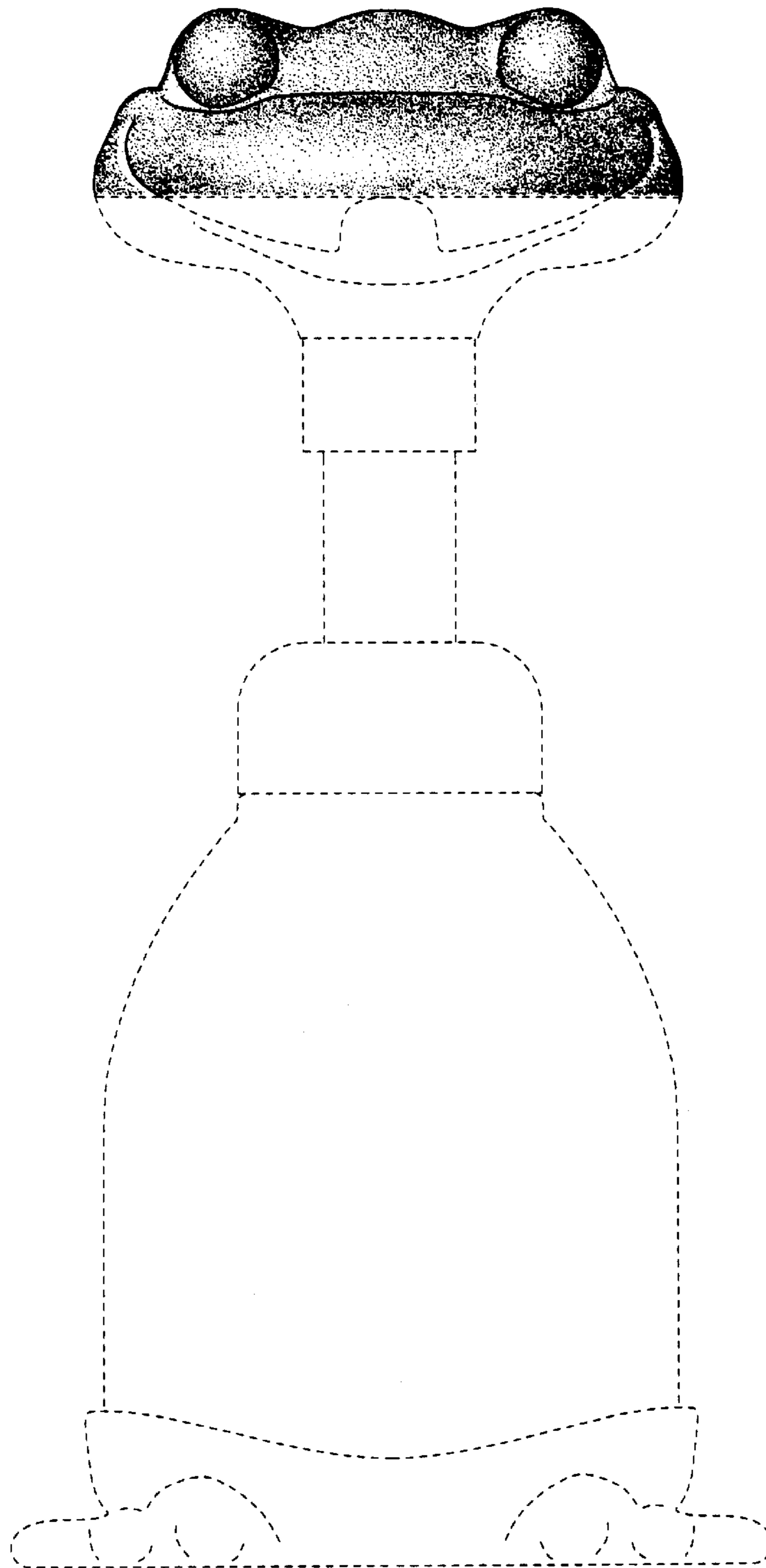
|              |         |                  |         |                   |        |                     |           |
|--------------|---------|------------------|---------|-------------------|--------|---------------------|-----------|
| D423,351 S * | 4/2000  | Zaksenberg ..... | D9/434  | D477,779 S *      | 7/2003 | Wehrauch .....      | D9/601    |
| D425,146 S * | 5/2000  | Shibuya .....    | D21/600 | D516,950 S *      | 3/2006 | Thorsteinsson ..... | D11/164   |
| D436,525 S * | 1/2001  | Lin .....        | D9/601  | D517,446 S *      | 3/2006 | Thorsteinsson ..... | D11/158   |
| 6,237,787 B1 | 5/2001  | Gallo et al.     |         | 2002/0078534 A1 * | 6/2002 | Williams .....      | 24/30.5 S |
| D446,728 S   | 8/2001  | Bakic            |         | 2004/0055920 A1 * | 3/2004 | Perez .....         | 206/457   |
| D449,013 S * | 10/2001 | Spielberg .....  | D11/158 | 2006/0027596 A1 * | 2/2006 | Walther et al. .... | 222/78    |
| D463,983 S   | 10/2002 | Wendt et al.     |         |                   |        |                     |           |

\* cited by examiner

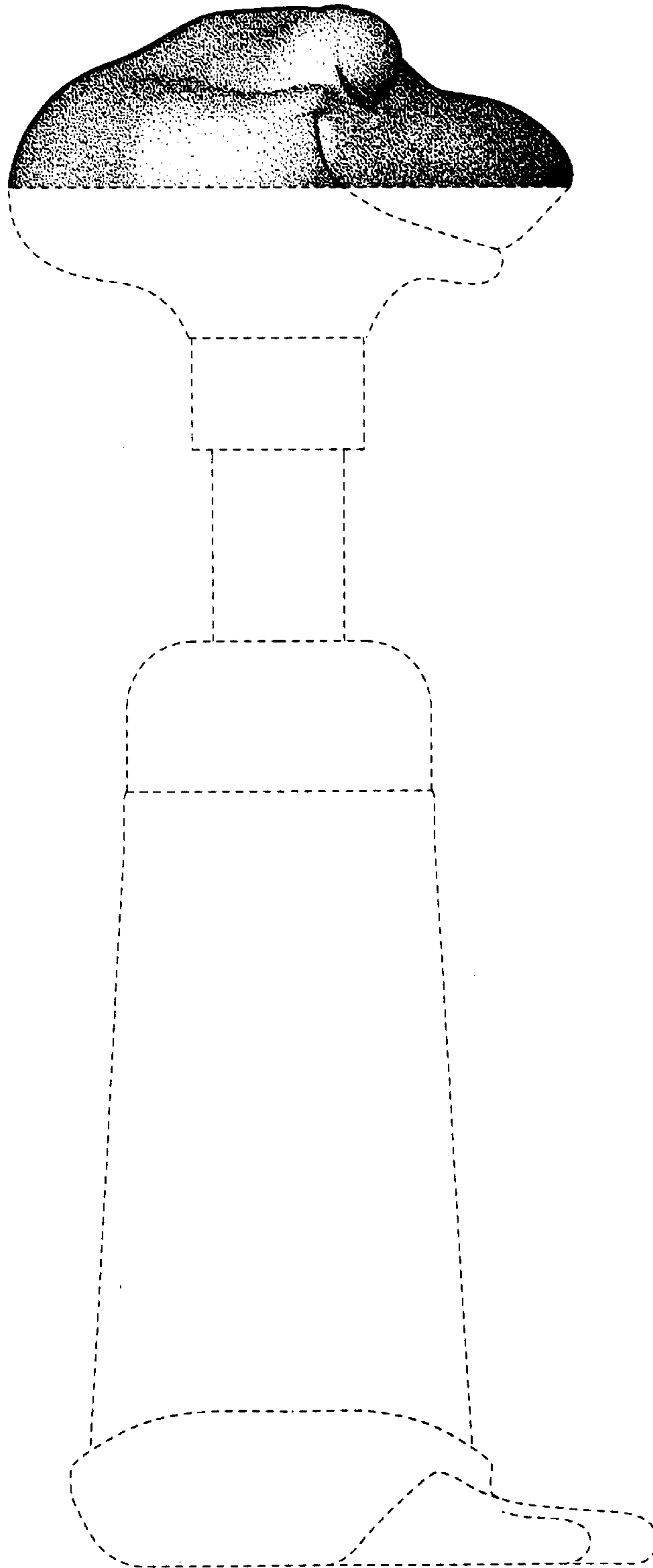
**FIG. 1**



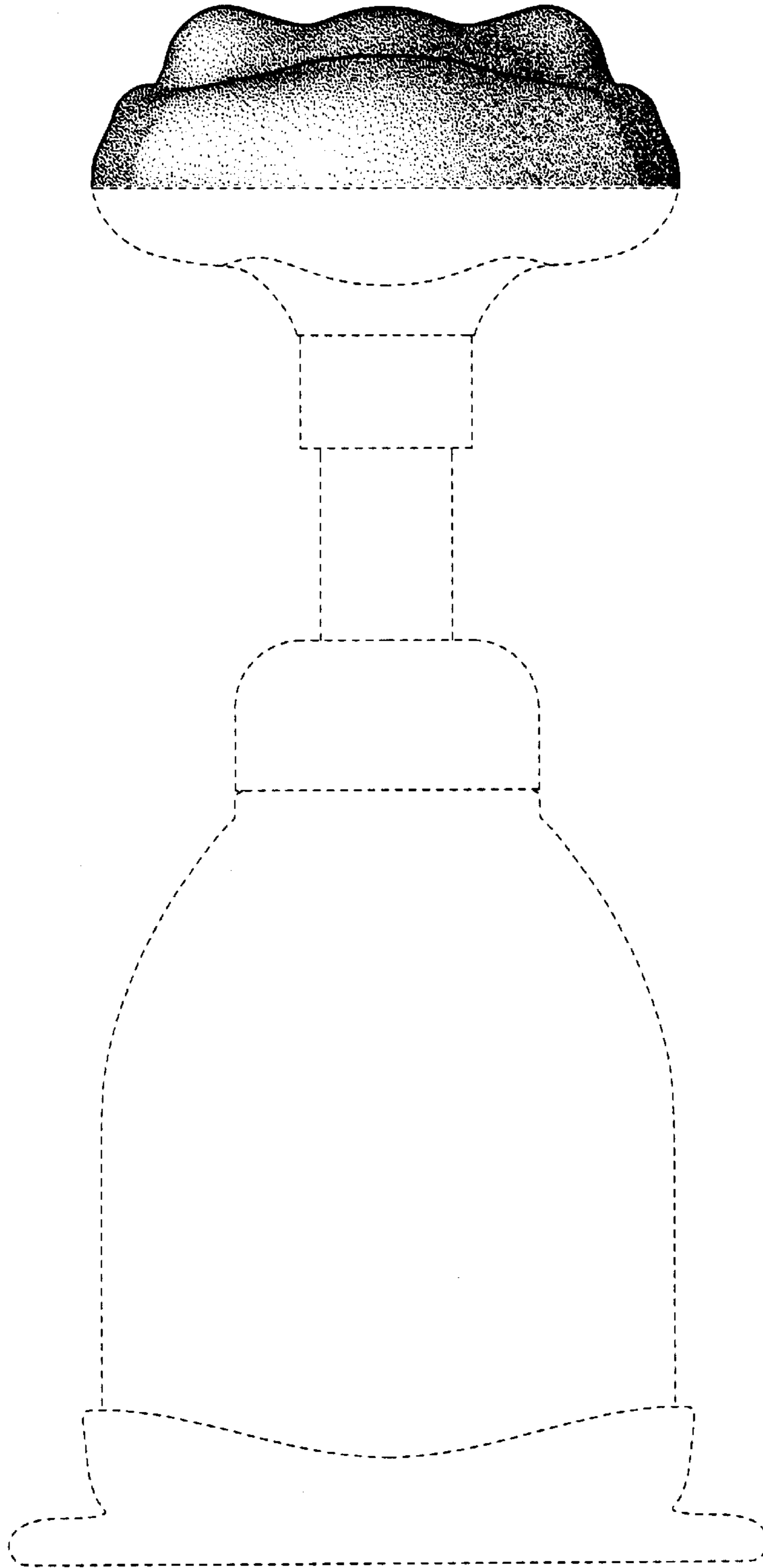
**FIG. 2**



**FIG. 3**



**FIG. 4**



**FIG. 5**

