



US00D528913S

(12) **United States Design Patent**  
**Penfold et al.**

(10) **Patent No.:** **US D528,913 S**

(45) **Date of Patent:** **\*\* Sep. 26, 2006**

(54) **CONTAINER PUMP**

D389,407 S \* 1/1998 Mascitelli ..... D9/448  
D392,887 S \* 3/1998 Wadsworth ..... D9/448  
D419,446 S \* 1/2000 Durliat ..... D9/448

(75) Inventors: **Christopher Michael Penfold**,  
Nottingham (GB); **Martin Christopher**  
**Bunce**, Pewsey (GB)

\* cited by examiner

(73) Assignee: **Reckitt & Colman (Overseas)**  
**Limited**, Slough (GB)

*Primary Examiner*—Robert M. Spear  
*Assistant Examiner*—Susan Bennett Hattan  
(74) *Attorney, Agent, or Firm*—Rothwell, Figg, Ernst &  
Manbeck, P.C.

(\*\*) Term: **14 Years**

(21) Appl. No.: **29/252,583**

(57) **CLAIM**

(22) Filed: **Jan. 26, 2006**

The ornamental design for a container pump, as shown and described.

(30) **Foreign Application Priority Data**

Jul. 27, 2005 (EM) ..... 000378625

**DESCRIPTION**

(51) **LOC (8) Cl.** ..... **09-07**

(52) **U.S. Cl.** ..... **D9/448**

(58) **Field of Classification Search** ..... D9/682,  
D9/549, 529, 450, 449, 448, 447, 440, 435;  
D7/587, 558, 555, 554.4, 554.2, 553.6, 553.1,  
D7/550.1; D6/550, 542, 536; D23/254, 250,  
D23/249; 222/562, 402.13, 402.1, 385, 383.1,  
222/372, 321.7, 321.3, 320, 153.13

FIG. 1 is a perspective view of the container pump of the present invention;  
FIG. 2 is a right side view;  
FIG. 3 is a left side view;  
FIG. 4 is a front view;  
FIG. 5 is a rear view;  
FIG. 6 is a top view; and,  
FIG. 7 is a bottom view.

See application file for complete search history.

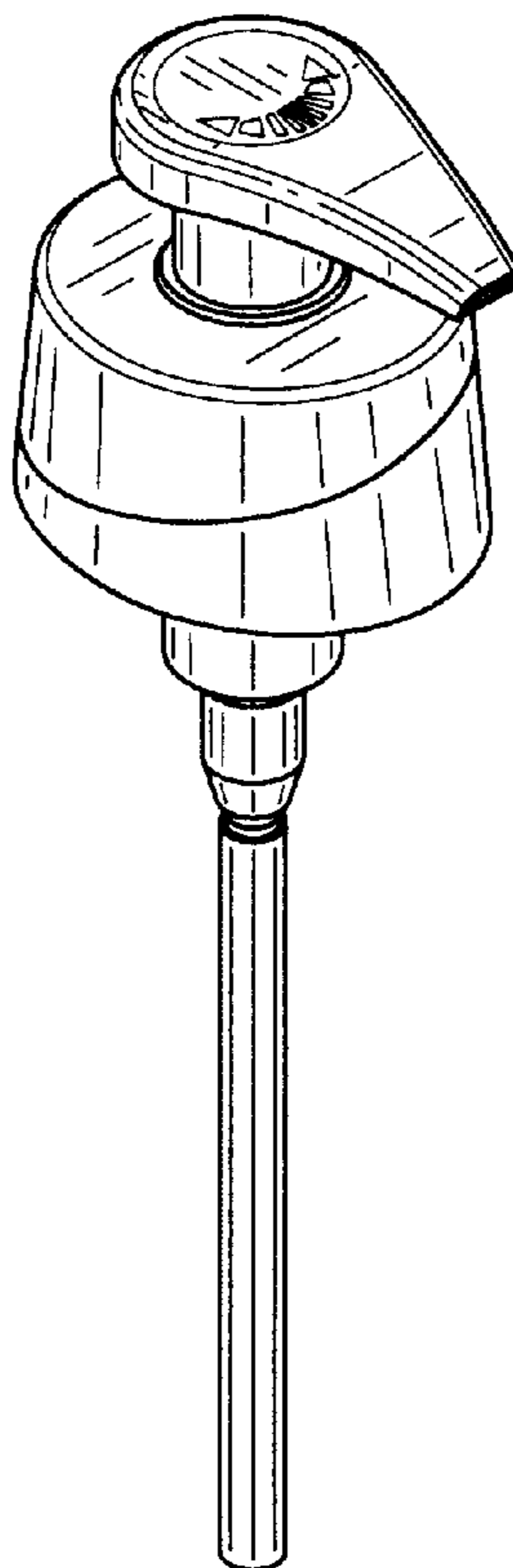
The broken lines in the drawings are for illustrative purposes only and form no part of the claimed design.

(56) **References Cited**

**U.S. PATENT DOCUMENTS**

5,615,806 A \* 4/1997 Grothoff ..... 222/153.13

**1 Claim, 2 Drawing Sheets**



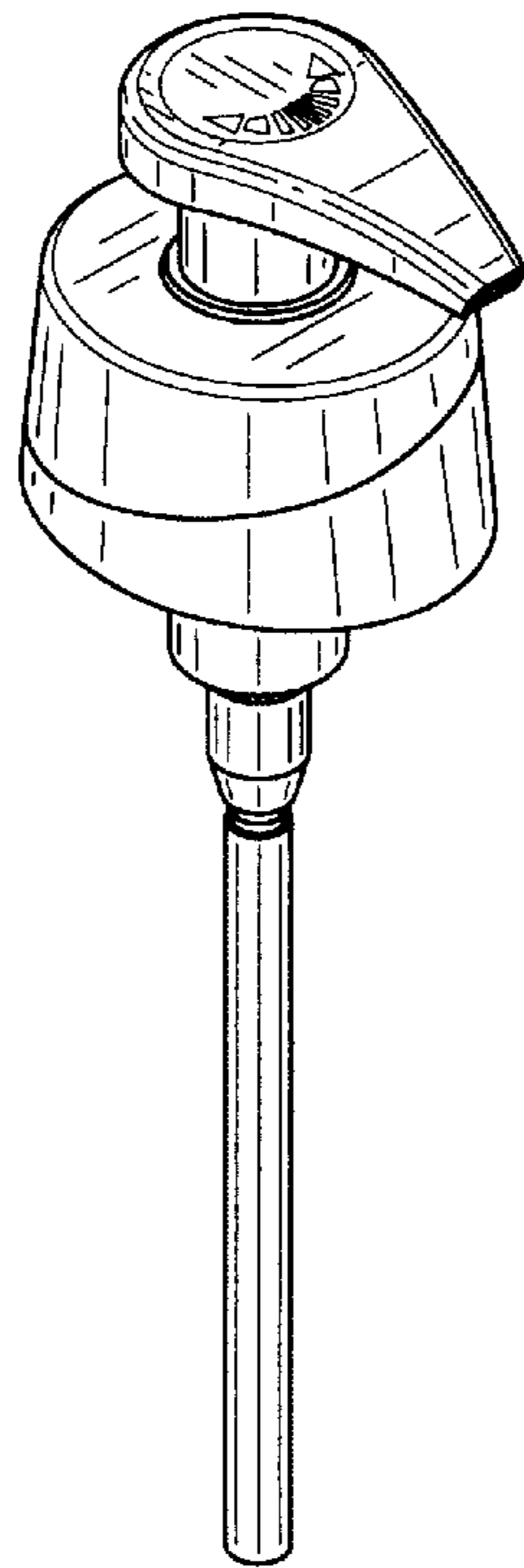


Fig. 1

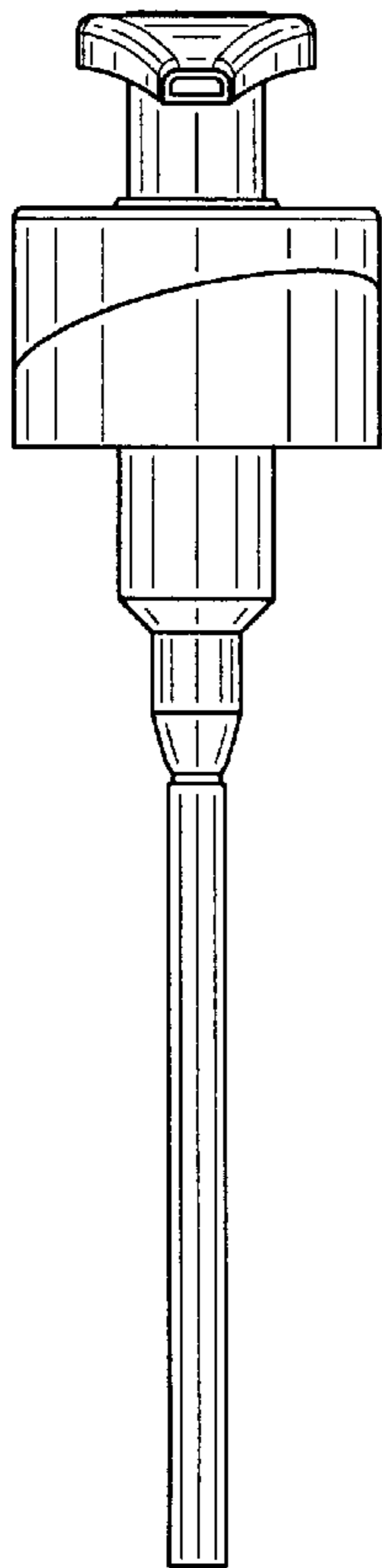


Fig. 2

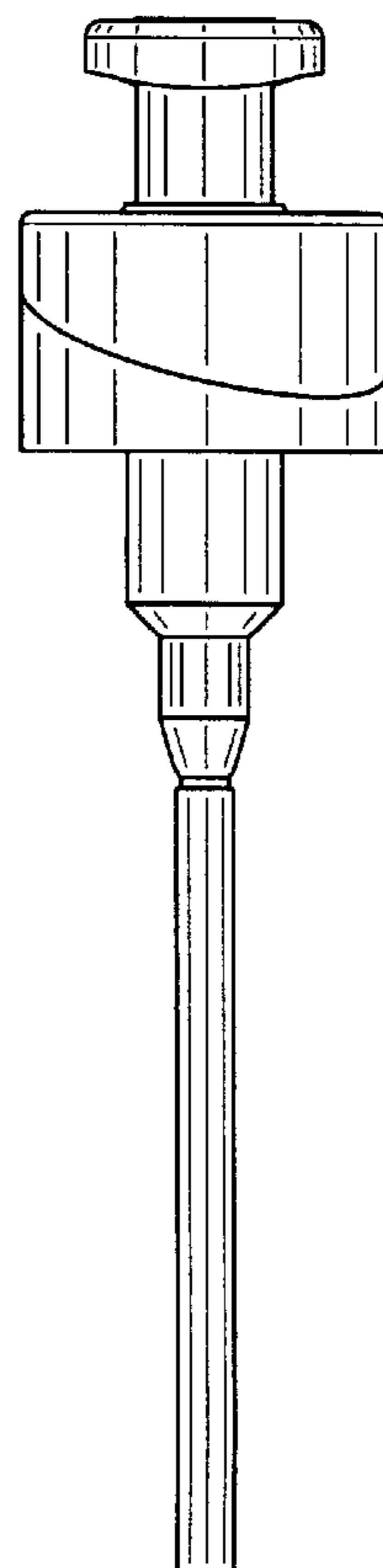


Fig. 3

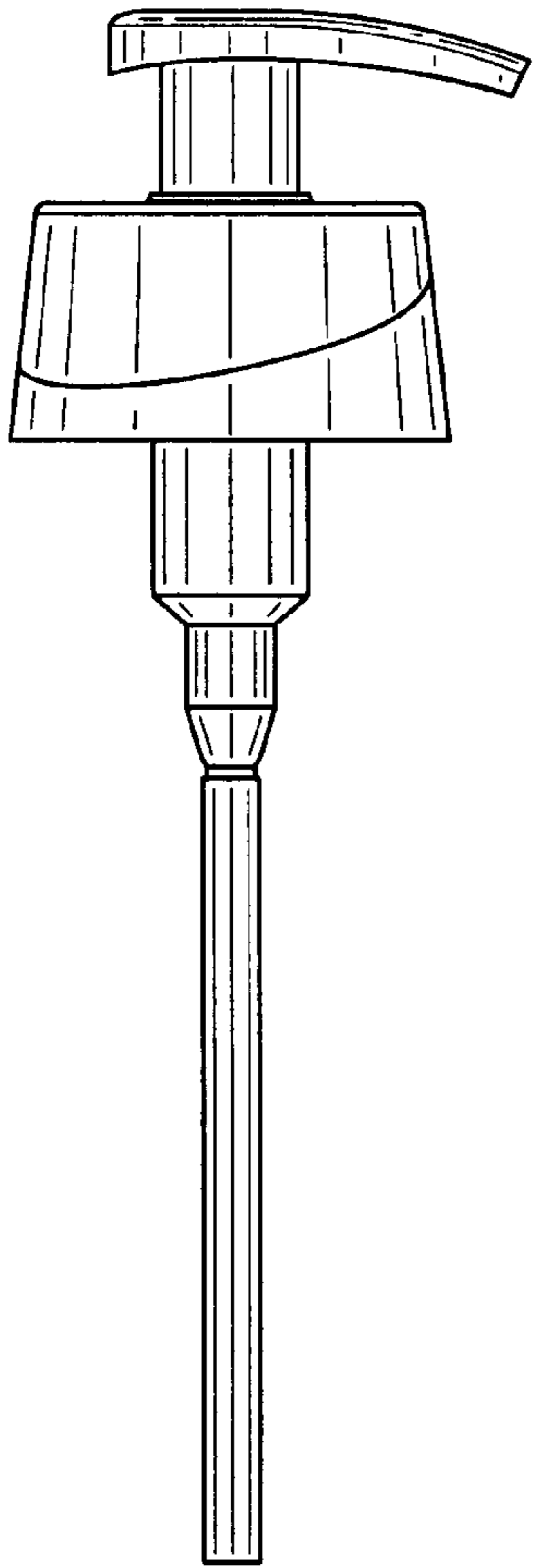


Fig.4

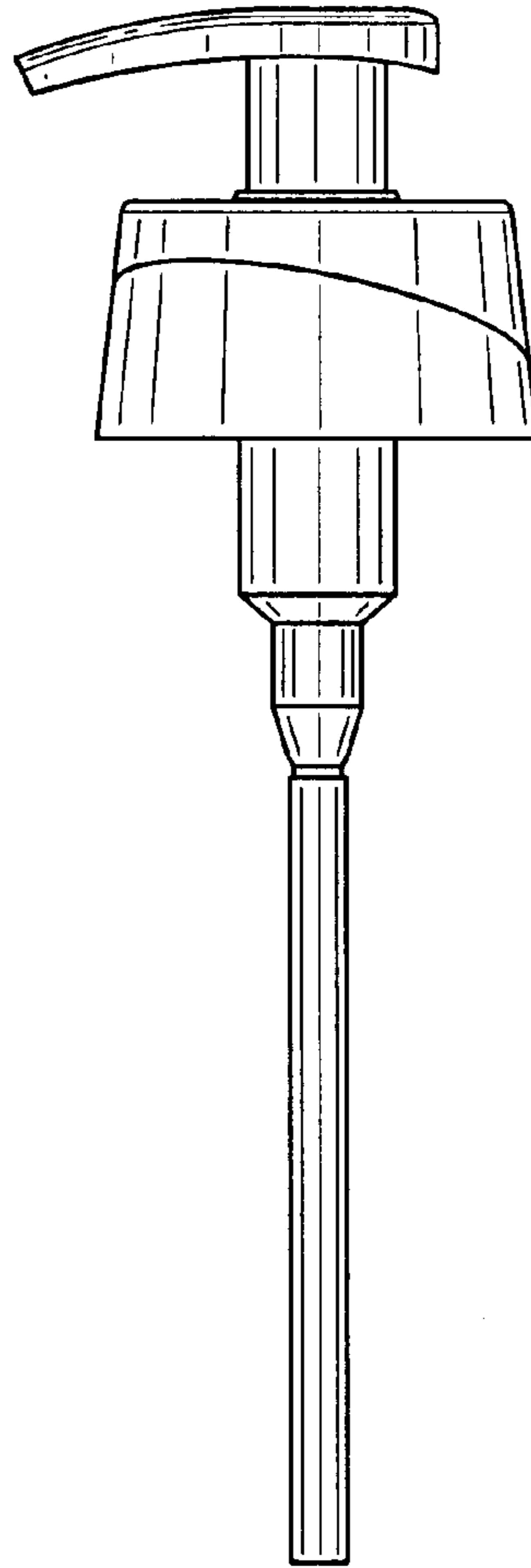


Fig.5

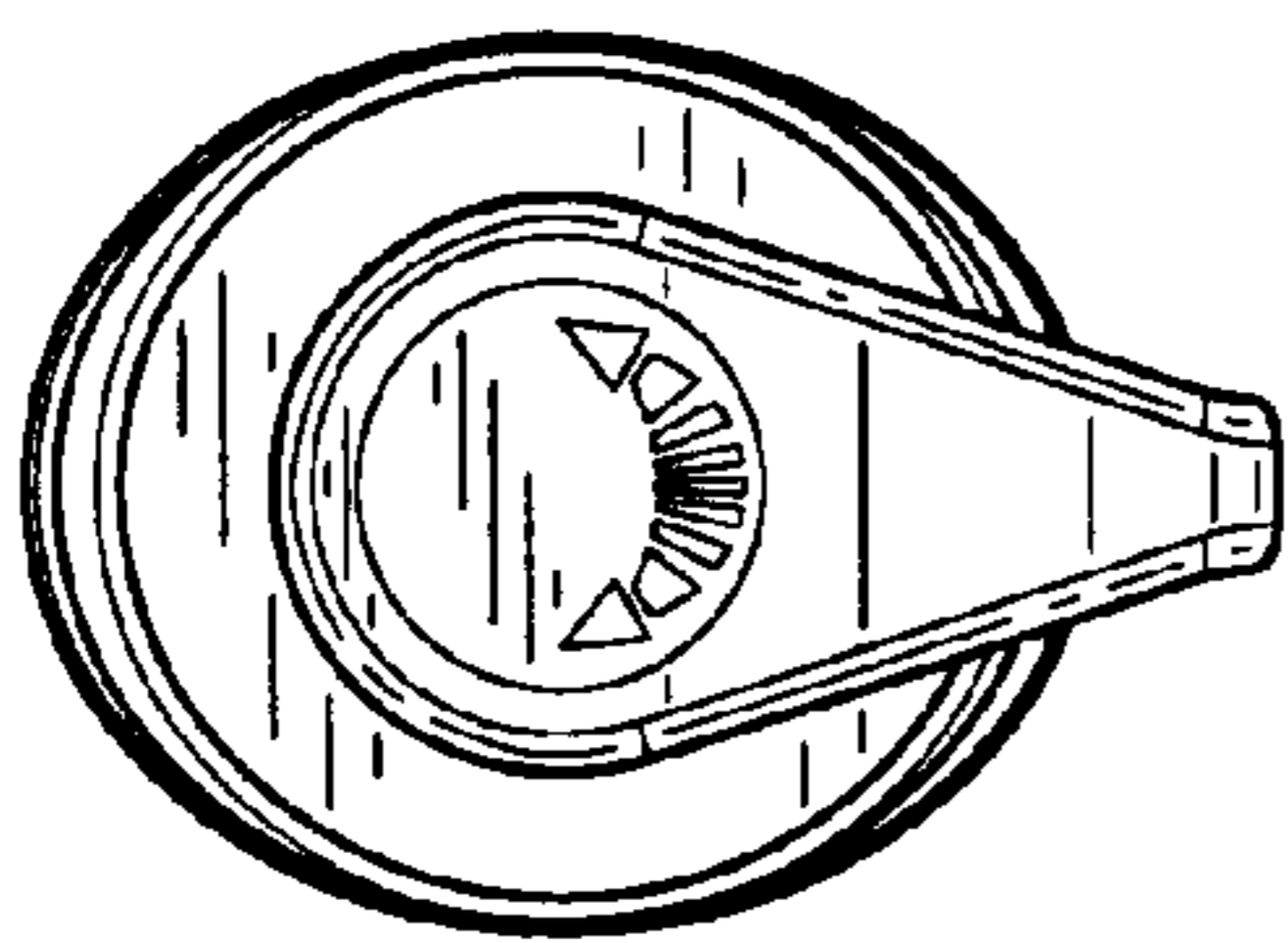


Fig.6

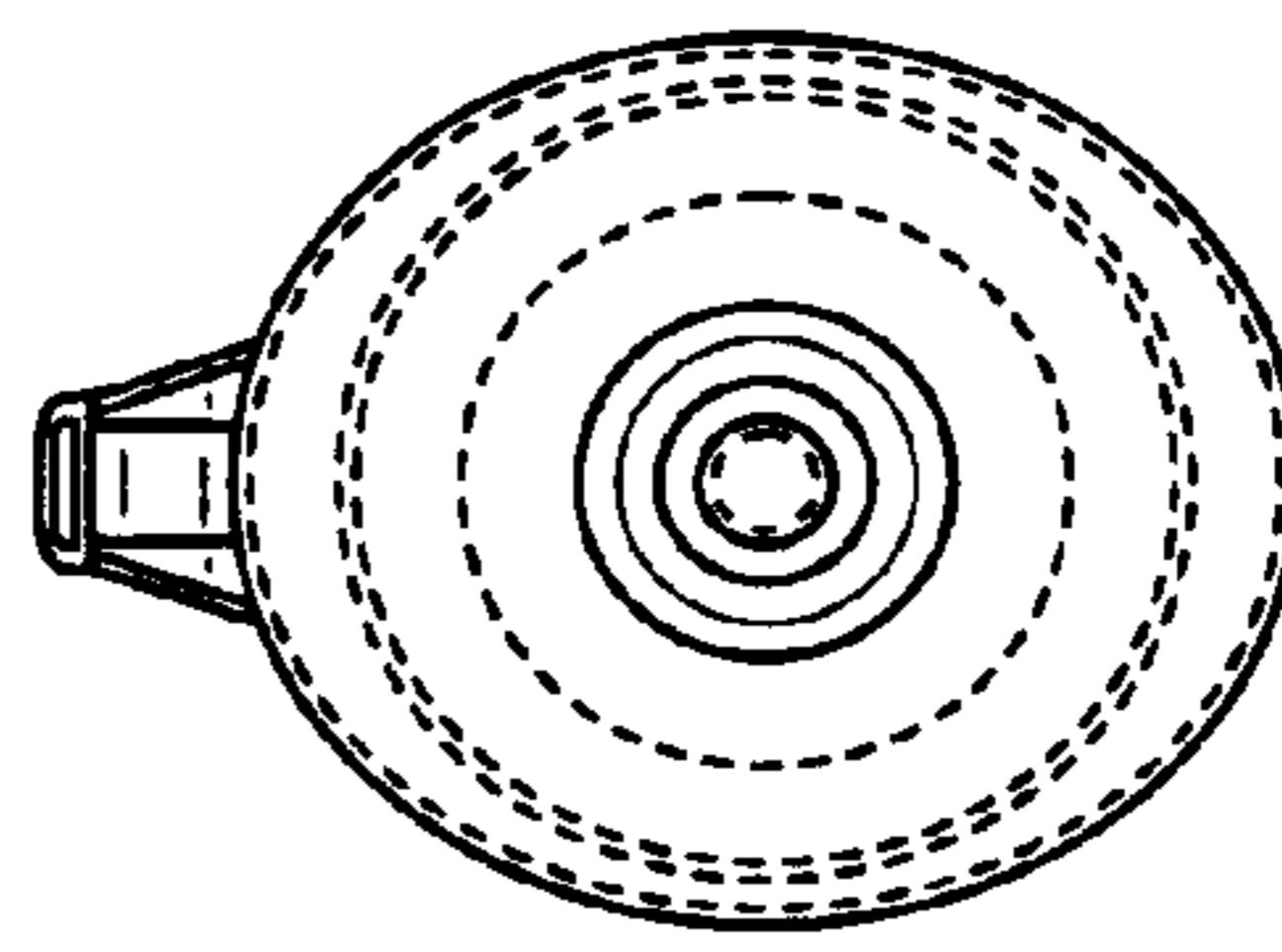


Fig.7