

US00D528912S

(12) **United States Design Patent**  
**van der Heijden et al.**

(10) **Patent No.:** **US D528,912 S**

(45) **Date of Patent:** **\*\* Sep. 26, 2006**

(54) **DISPENSER FOR LIQUID SOAP**

D452,822 S 1/2002 Boshuizen et al.  
6,910,603 B1 \* 6/2005 Smith ..... 222/153.13

(75) Inventors: **Edgar van der Heijden**, Broek op Langedijk (NL); **Marcus Cornelis Jacobus Tepas**, Callantsoog (NL); **Peter Jozef Jan Albertz**, Haarlem (NL)

\* cited by examiner

*Primary Examiner*—Robert M. Spear  
*Assistant Examiner*—Susan Bennett Hattan  
(74) *Attorney, Agent, or Firm*—Hoffmann & Baron, LLP

(73) Assignee: **Airspray International B.V.**, Alkmaar (NL)

(57) **CLAIM**

(\*\*) Term: **14 Years**

The ornamental design for a dispenser for liquid soap, as shown and described.

(21) Appl. No.: **29/251,263**

**DESCRIPTION**

(22) Filed: **Jan. 5, 2006**

(30) **Foreign Application Priority Data**

Jul. 5, 2005 (EM) ..... 000368097

(51) **LOC (8) Cl.** ..... **09-07**

(52) **U.S. Cl.** ..... **D9/448**

(58) **Field of Classification Search** ..... D9/682,  
D9/549, 529, 450, 449, 448, 447, 440, 435;  
D7/587, 558, 555, 554.4, 554.2, 553.6, 553.1,  
D7/550.1; D6/550, 542, 536; D23/254, 250,  
D23/249; 222/562, 402.13, 402.1, 385, 383.1,  
222/372, 321.7, 321.3, 320, 153.13

See application file for complete search history.

FIG. 1 is a perspective view of a dispenser for liquid soap showing our new design;  
FIG. 2 is a front elevation view thereof;  
FIG. 3 is a side elevation view thereof;  
FIG. 4 is a rear elevation view thereof;  
FIG. 5 is a top view thereof;  
FIG. 6 is another perspective view of the embodiment of FIG. 1 showing the spout in a second orientation;  
FIG. 7 is a front elevation view showing the spout in the orientation of FIG. 6;  
FIG. 8 is a perspective view of a second embodiment of our new design;  
FIG. 9 is a front elevation view thereof;  
FIG. 10 is a side elevation view thereof;  
FIG. 11 is a top view thereof;  
FIG. 12 is another perspective view of the embodiment of FIG. 8 showing the spout in a second orientation; and,  
FIG. 13 is a front elevation view showing the spout in the orientation of FIG. 12.

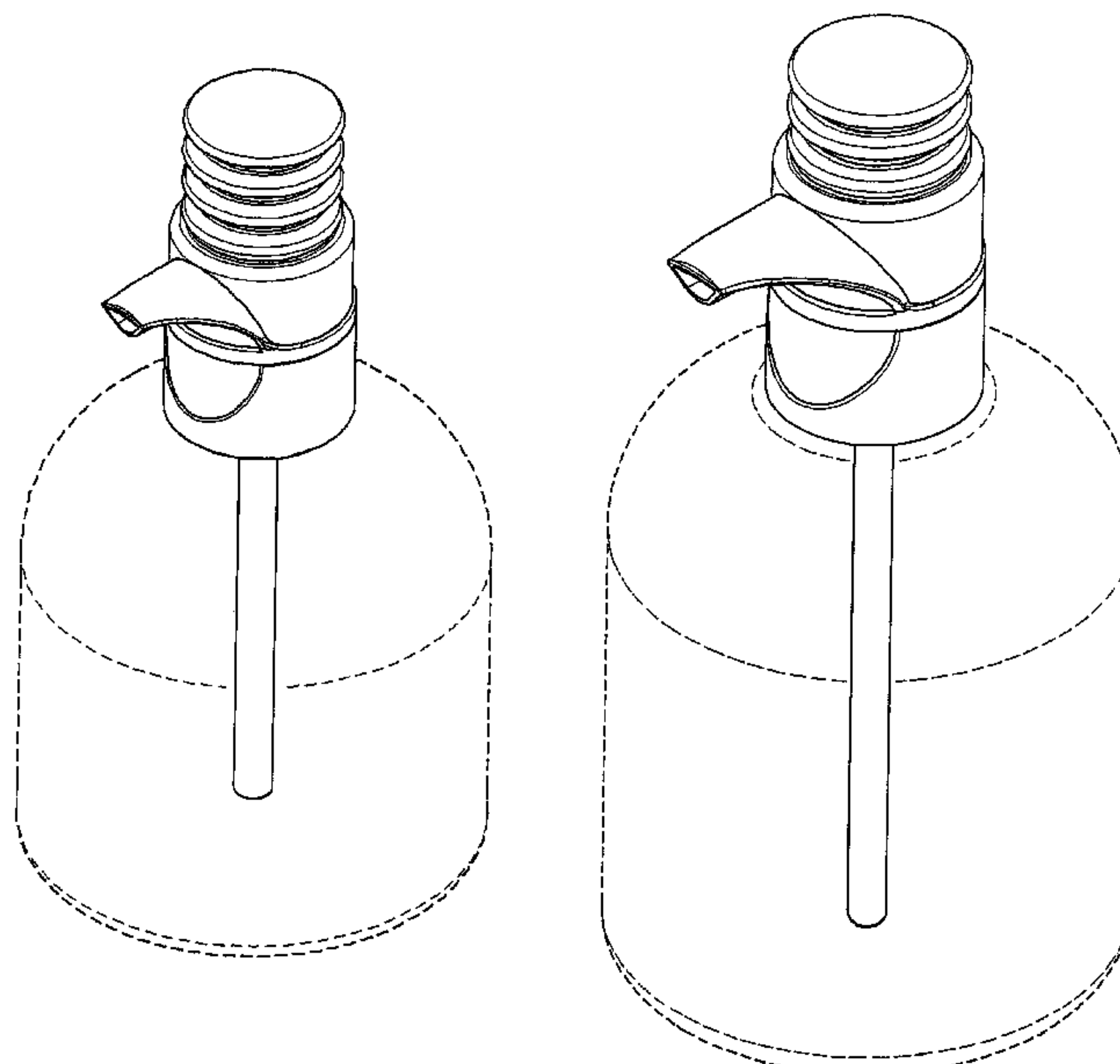
The subject matter shown in broken lines is for illustrative purposes only and forms no part of the claimed design. The bottom views (not shown) form no part of the claimed design.

(56) **References Cited**

U.S. PATENT DOCUMENTS

- 2,824,672 A \* 2/1958 Wersching ..... 222/207
- D186,569 S \* 11/1959 Greene ..... D9/440
- D191,481 S \* 10/1961 Conley ..... D19/54
- 4,978,035 A \* 12/1990 Morane et al. .... 222/108
- D377,755 S \* 2/1997 Kotyuk et al. .... D9/682
- 5,673,824 A \* 10/1997 Evans ..... 222/321.9
- 5,826,751 A \* 10/1998 Stahley et al. .... 222/92
- D424,441 S \* 5/2000 Santagiuliana ..... D9/448
- D434,984 S \* 12/2000 Wadsworth ..... D9/448

**1 Claim, 13 Drawing Sheets**



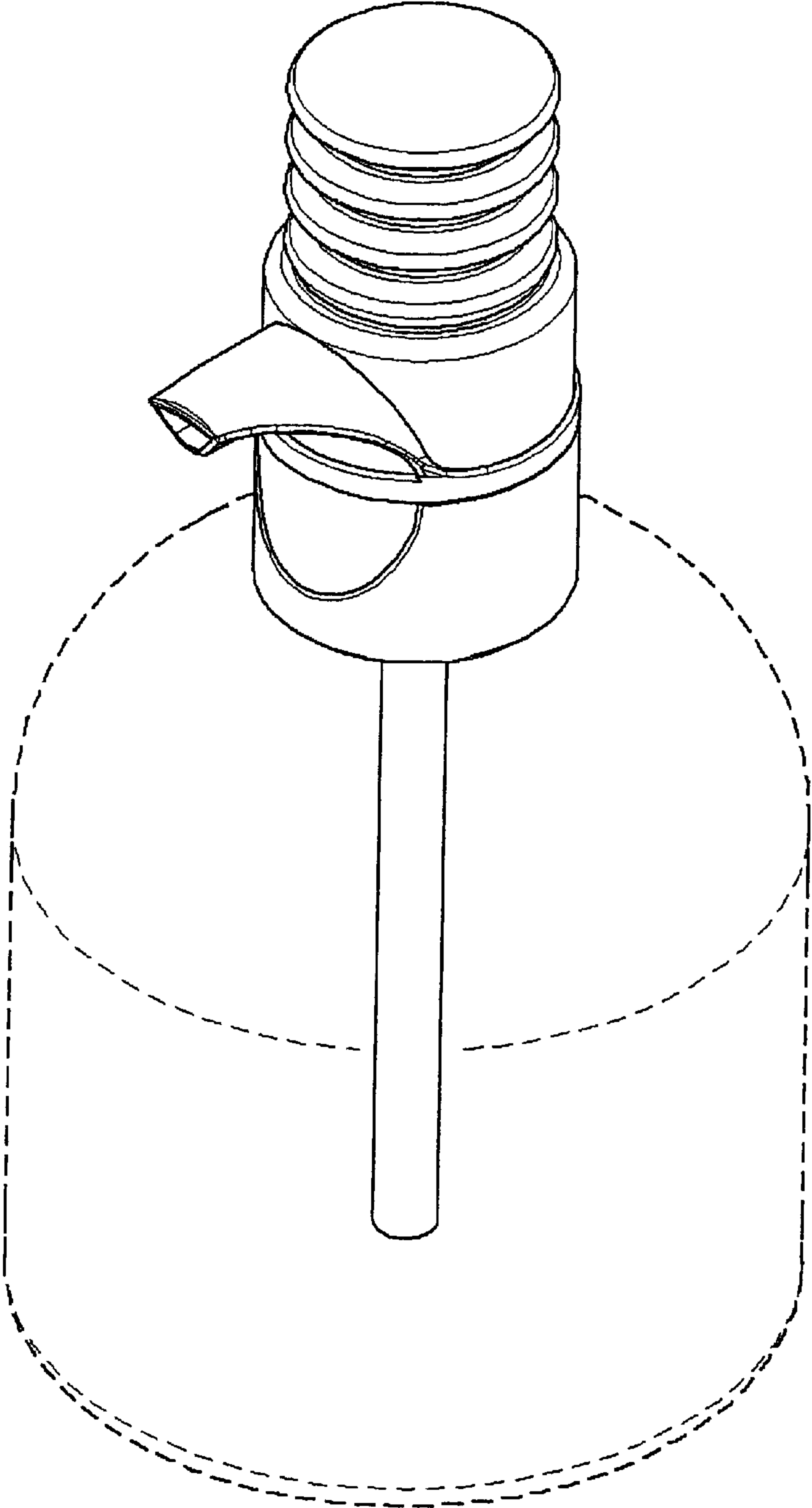


Fig. 1

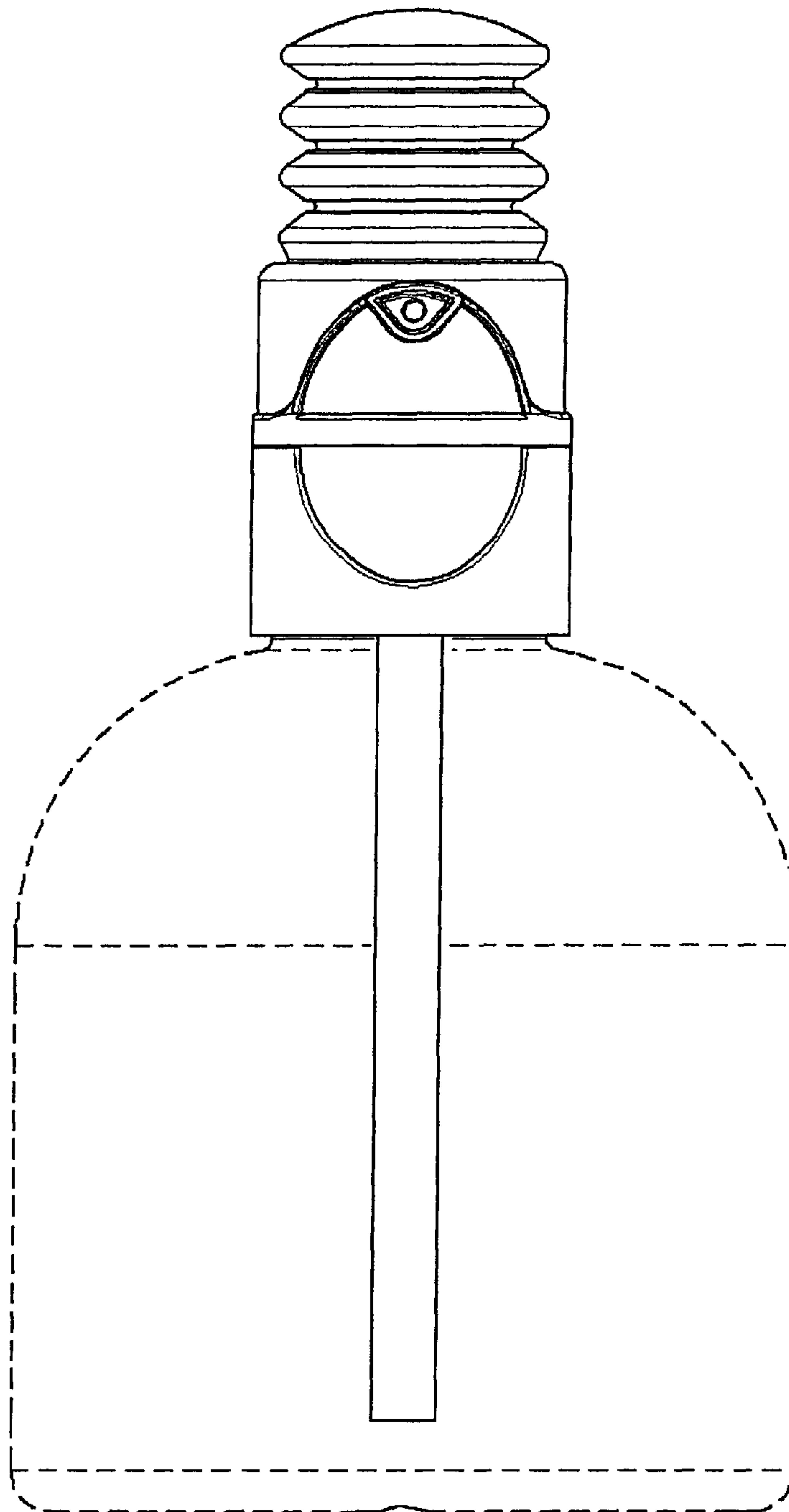


Fig. 2

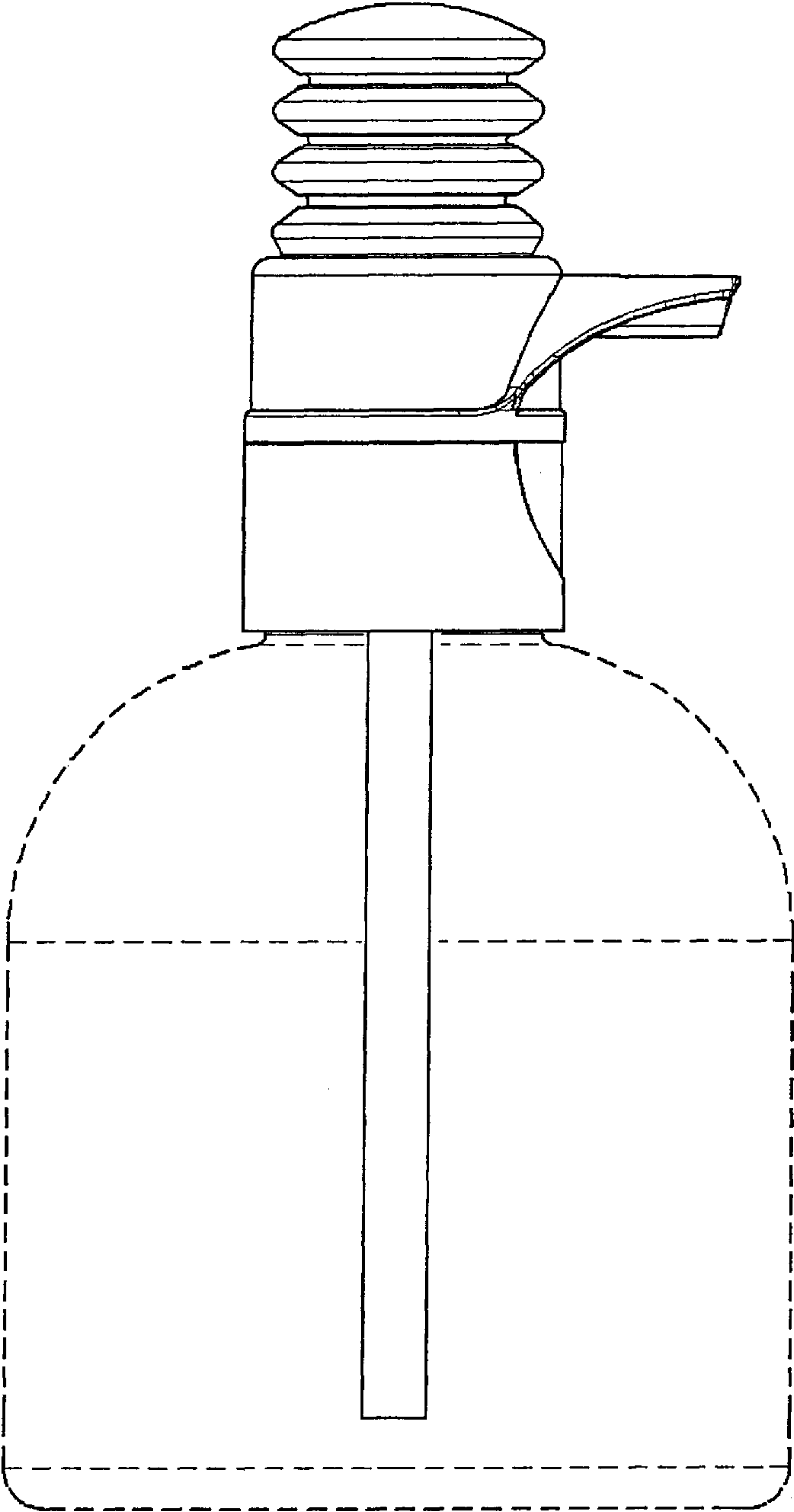


Fig. 3

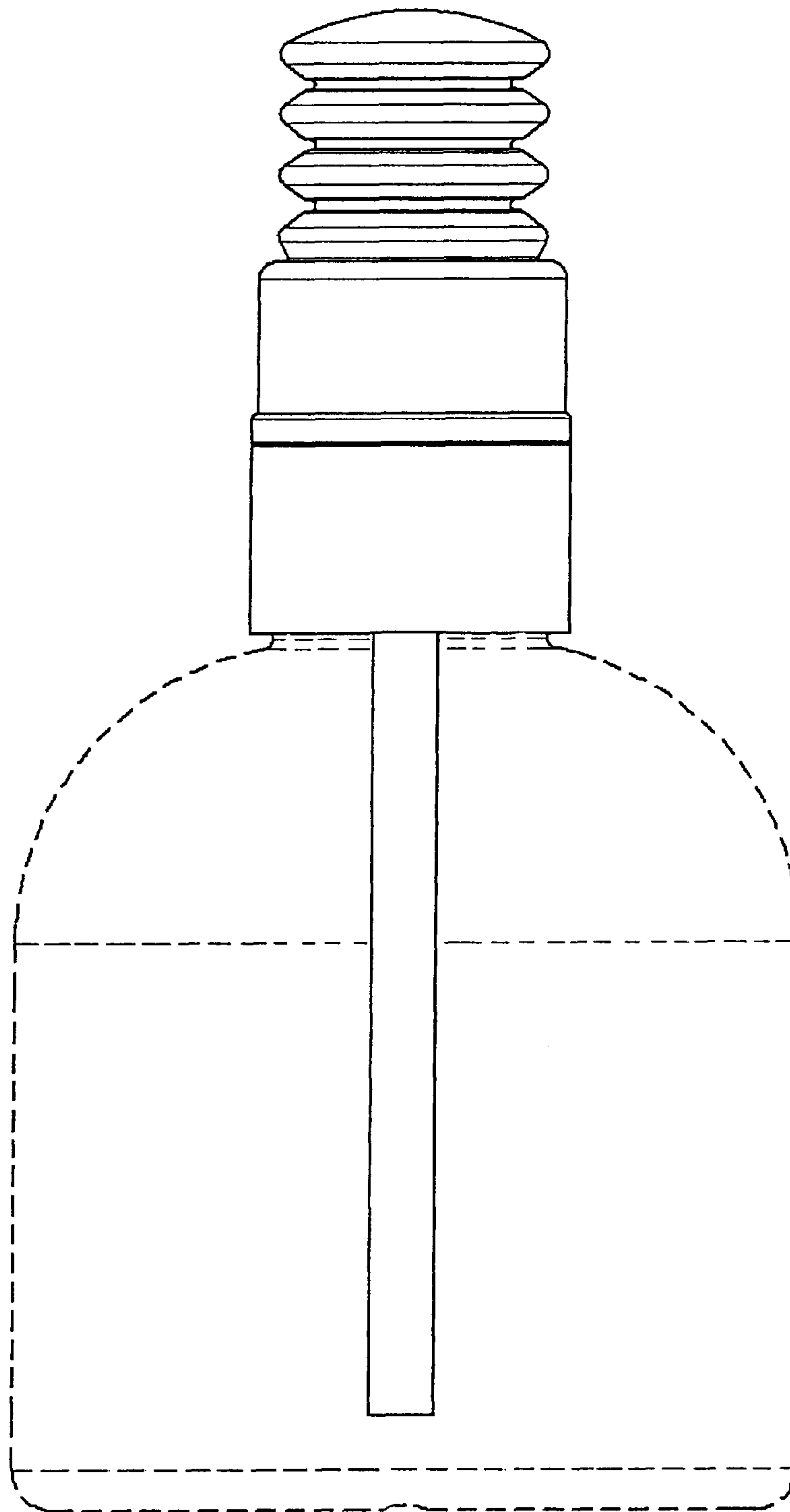


Fig. 4

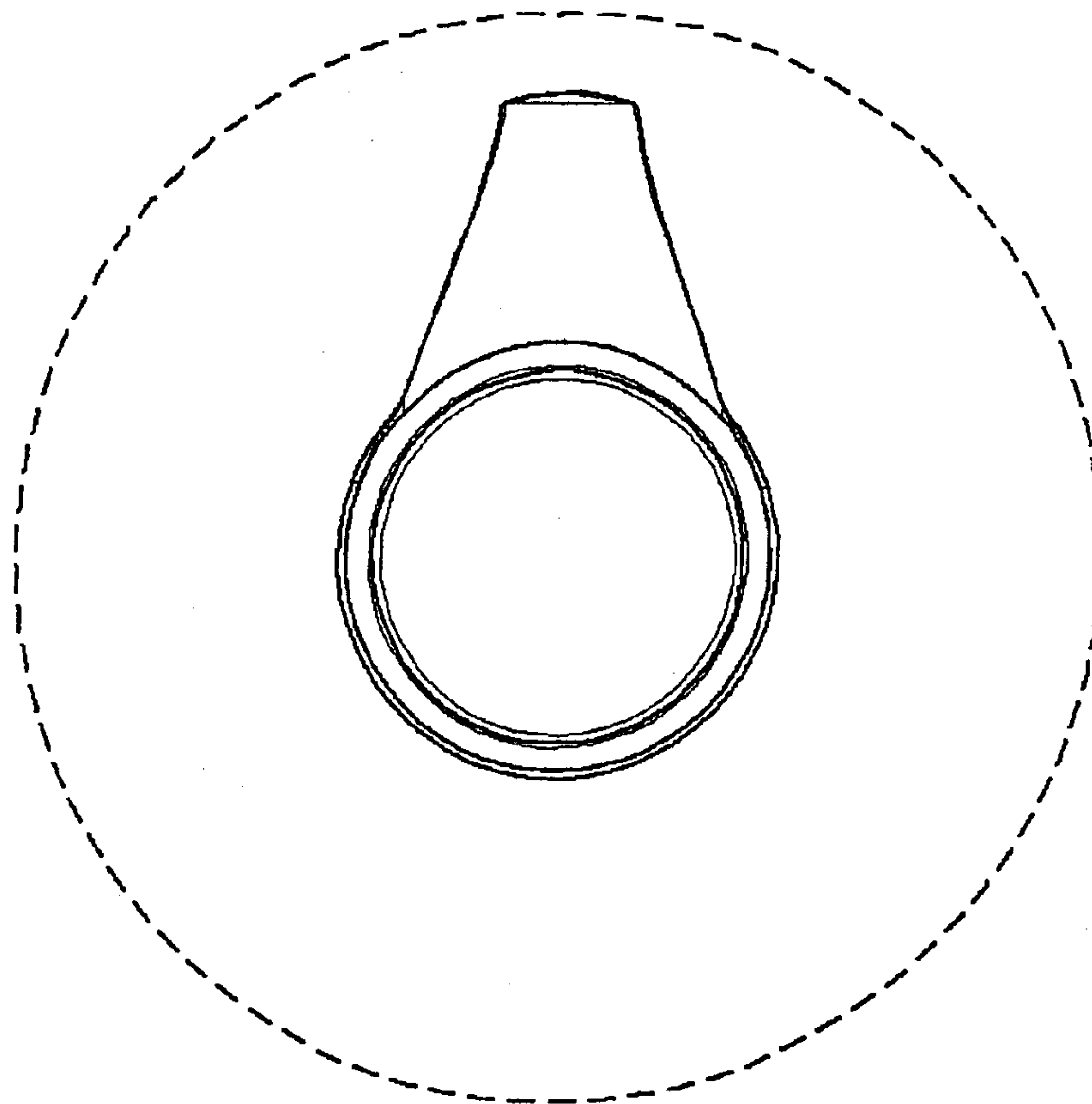


Fig. 5

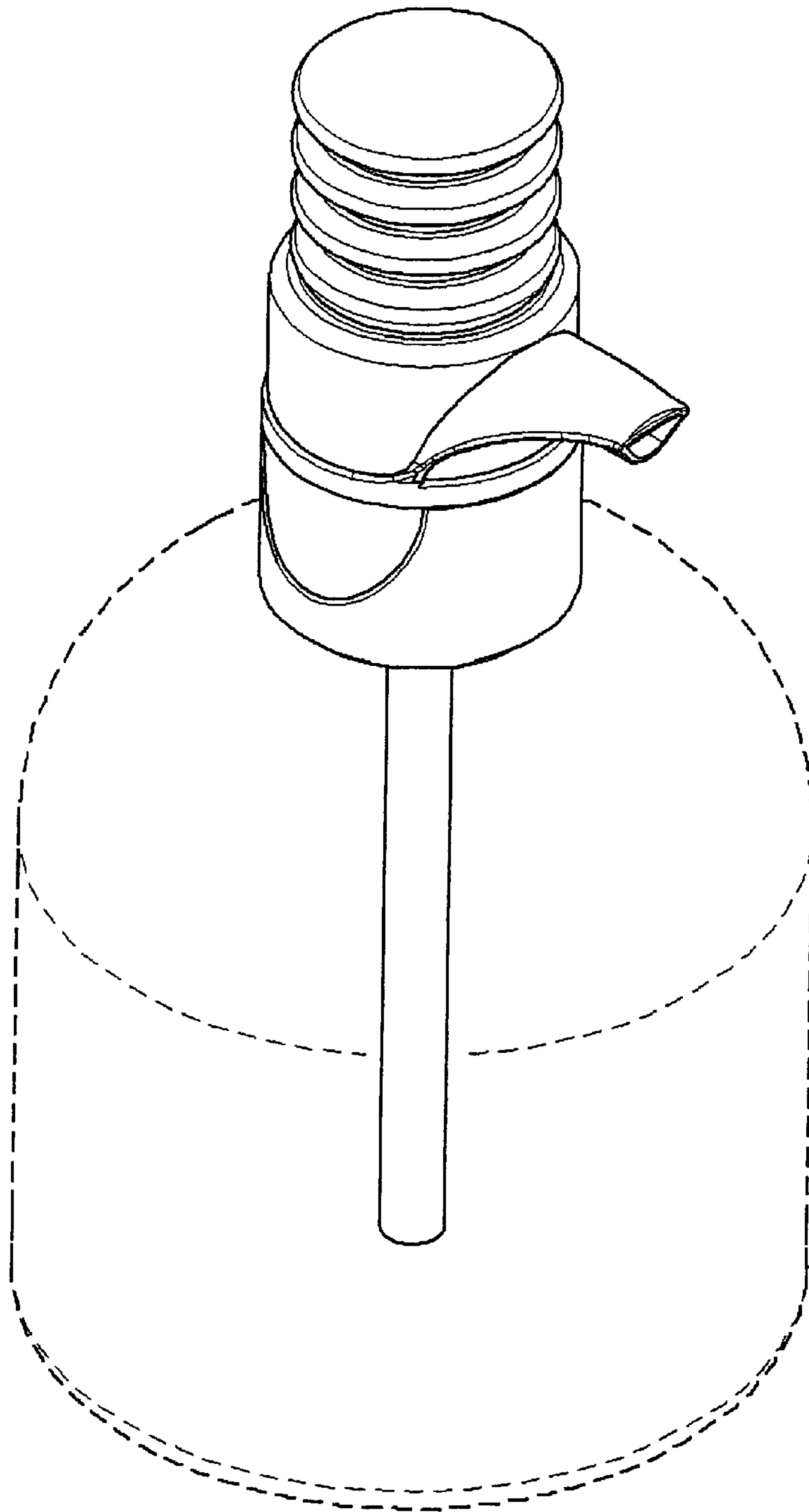


Fig. 6

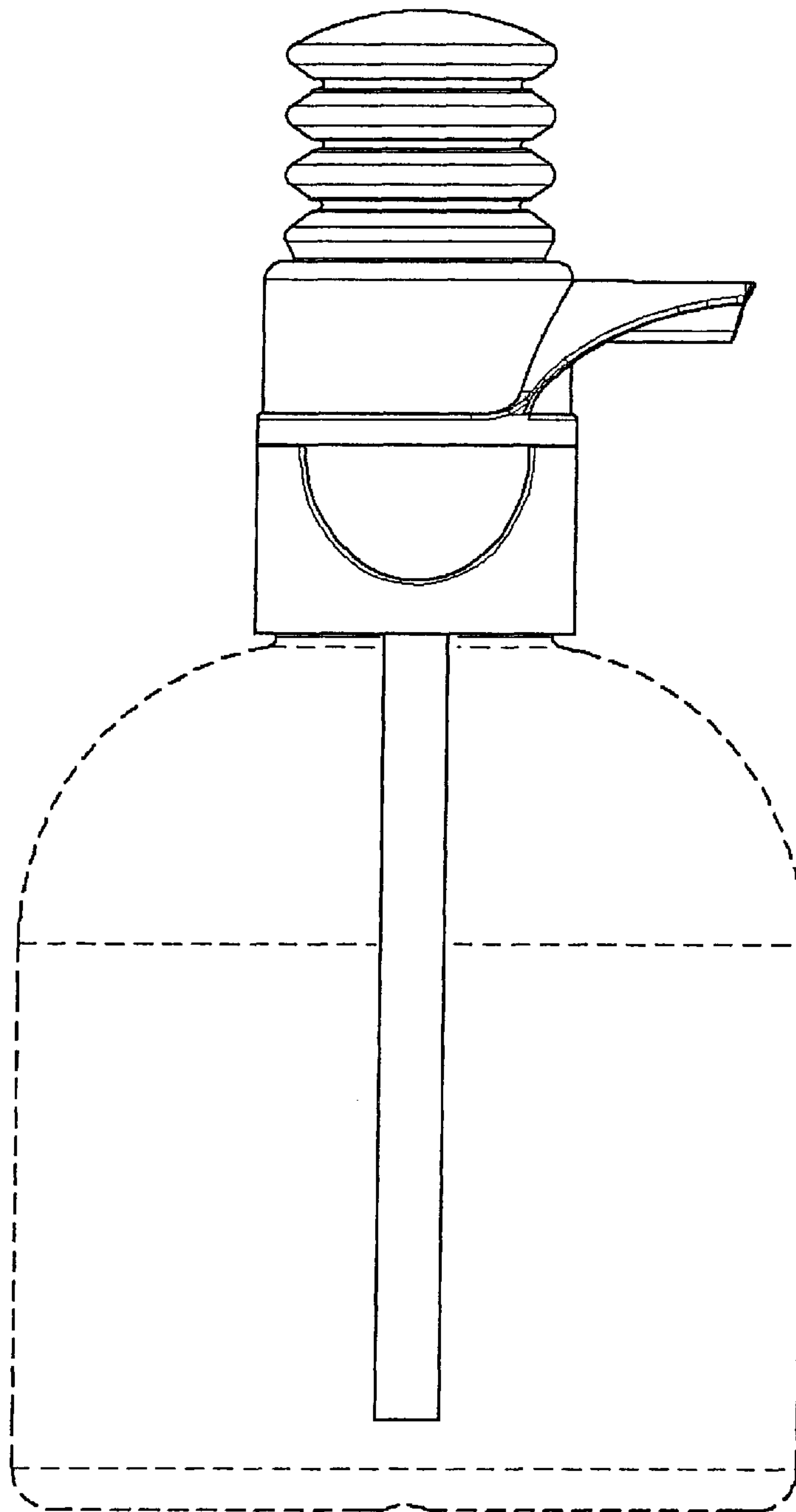


Fig. 7



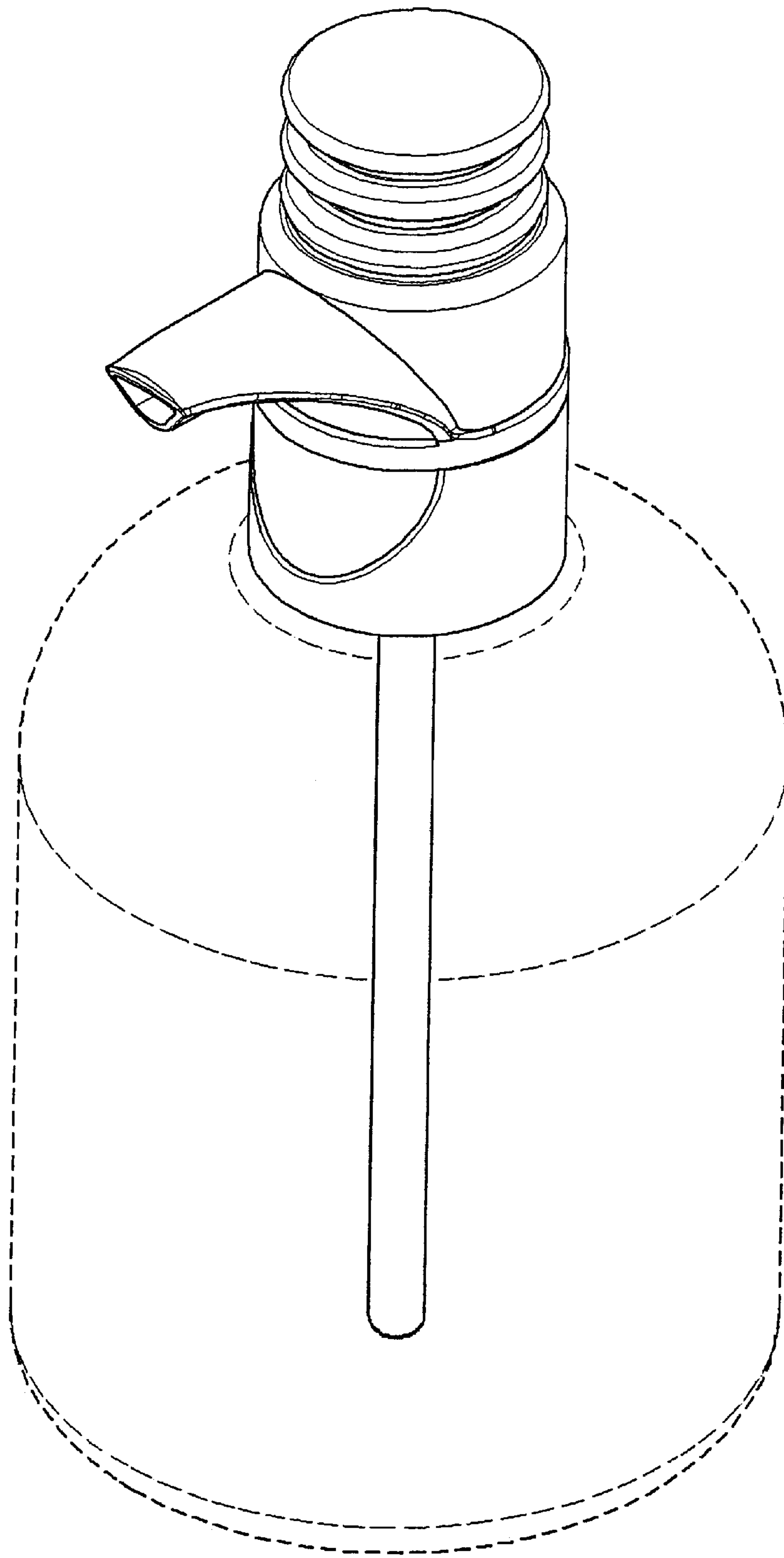


Fig. 8

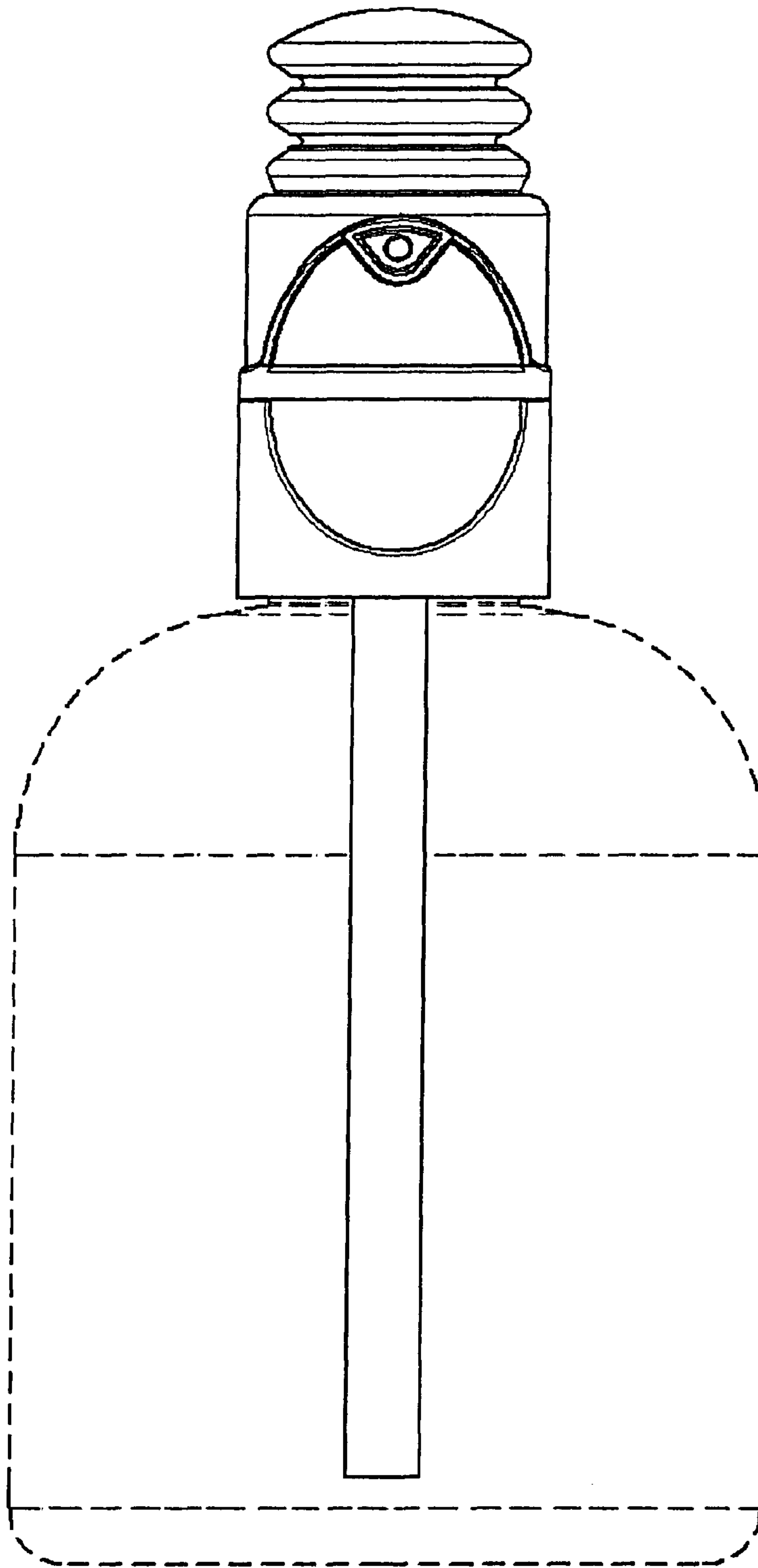


Fig. 9

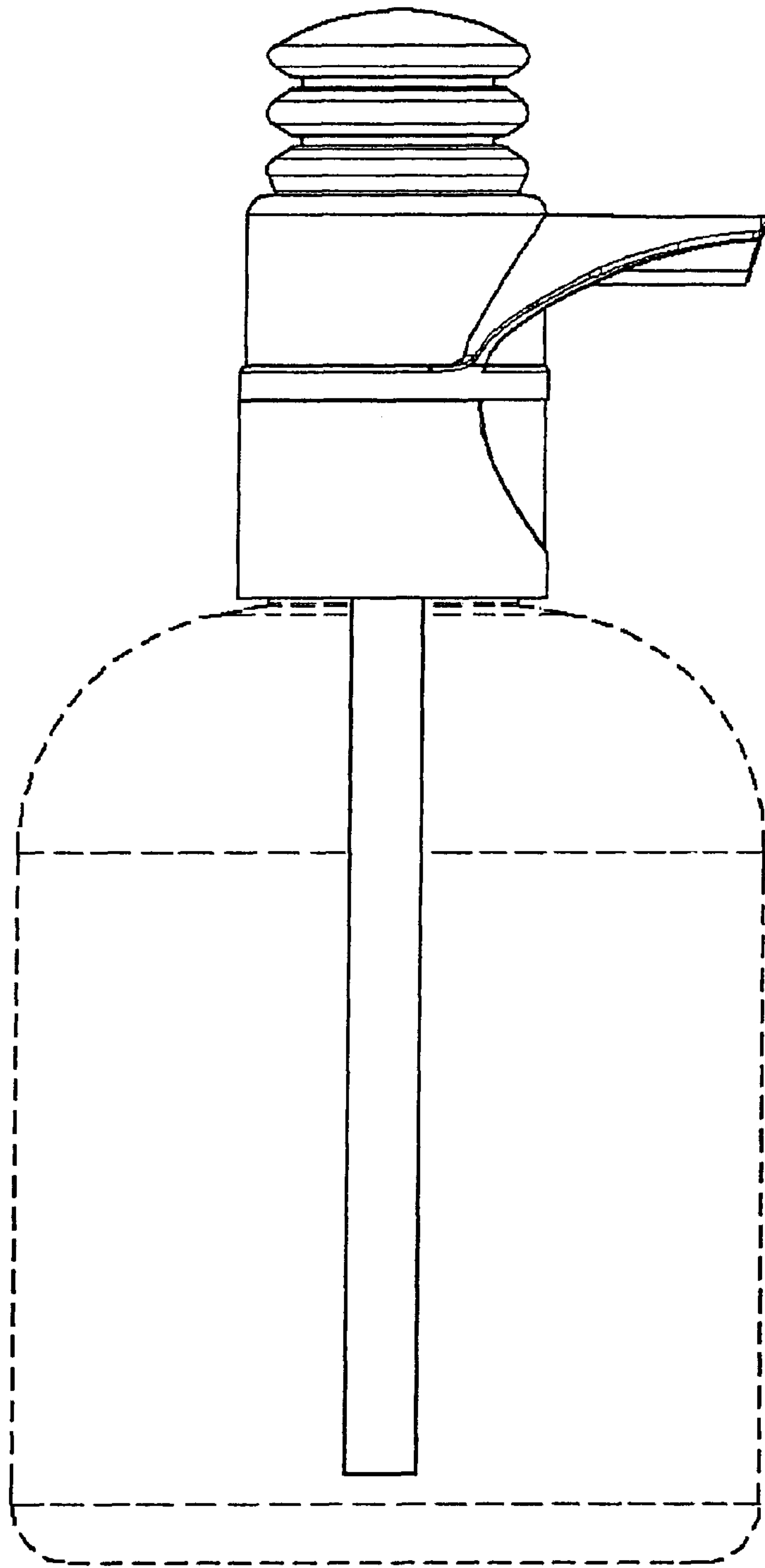


Fig. 10

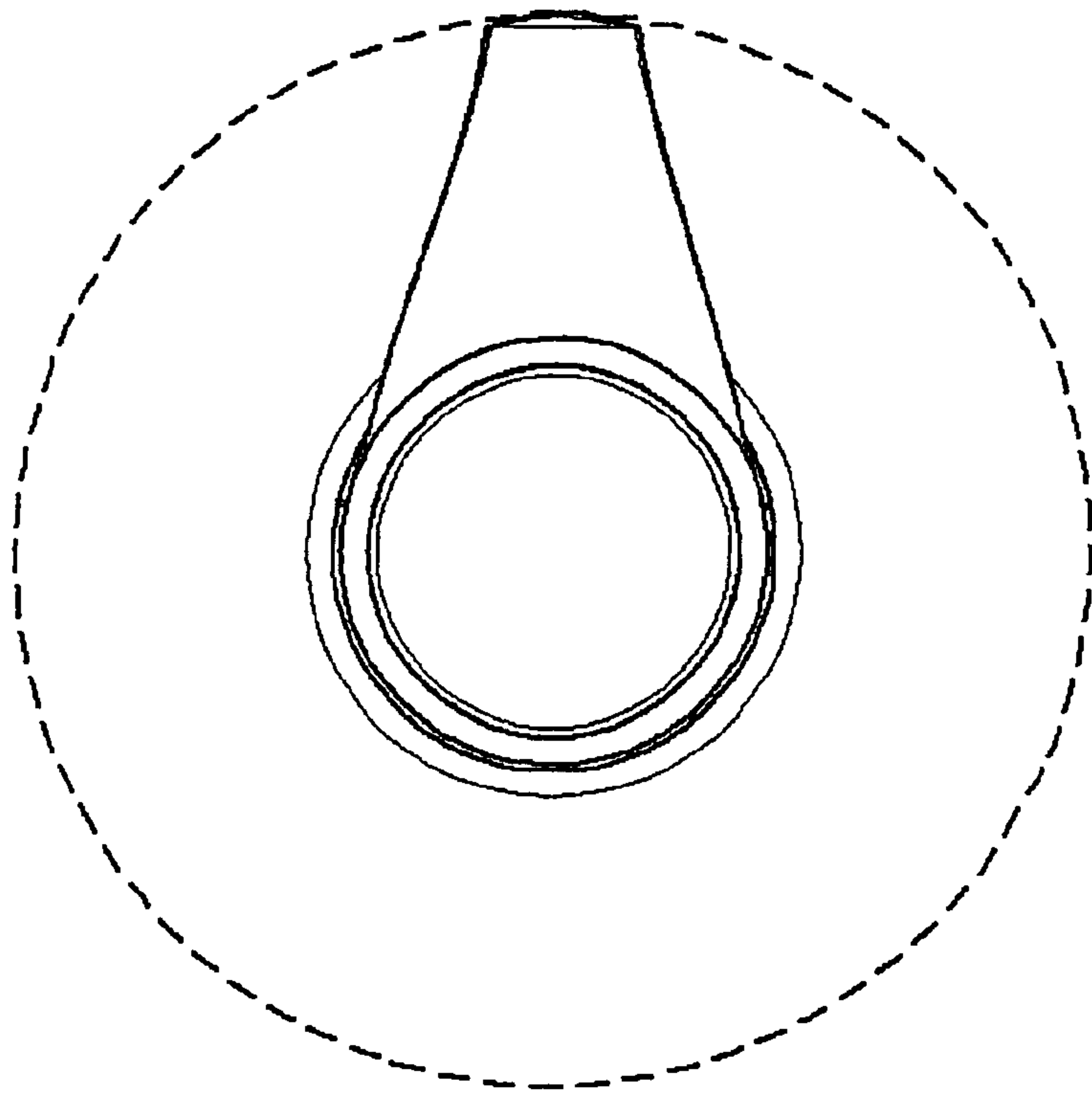


Fig. 11

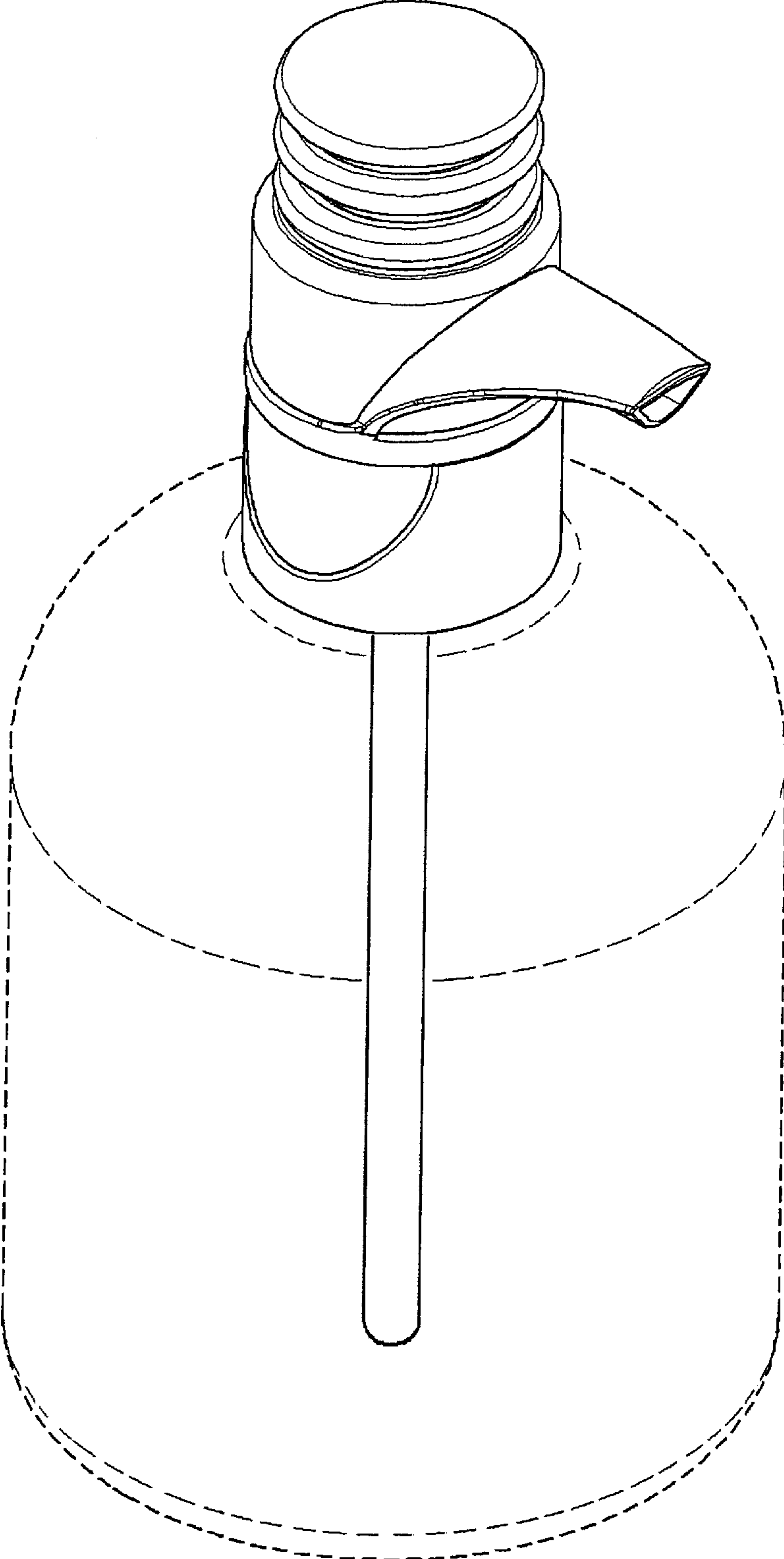


Fig. 12

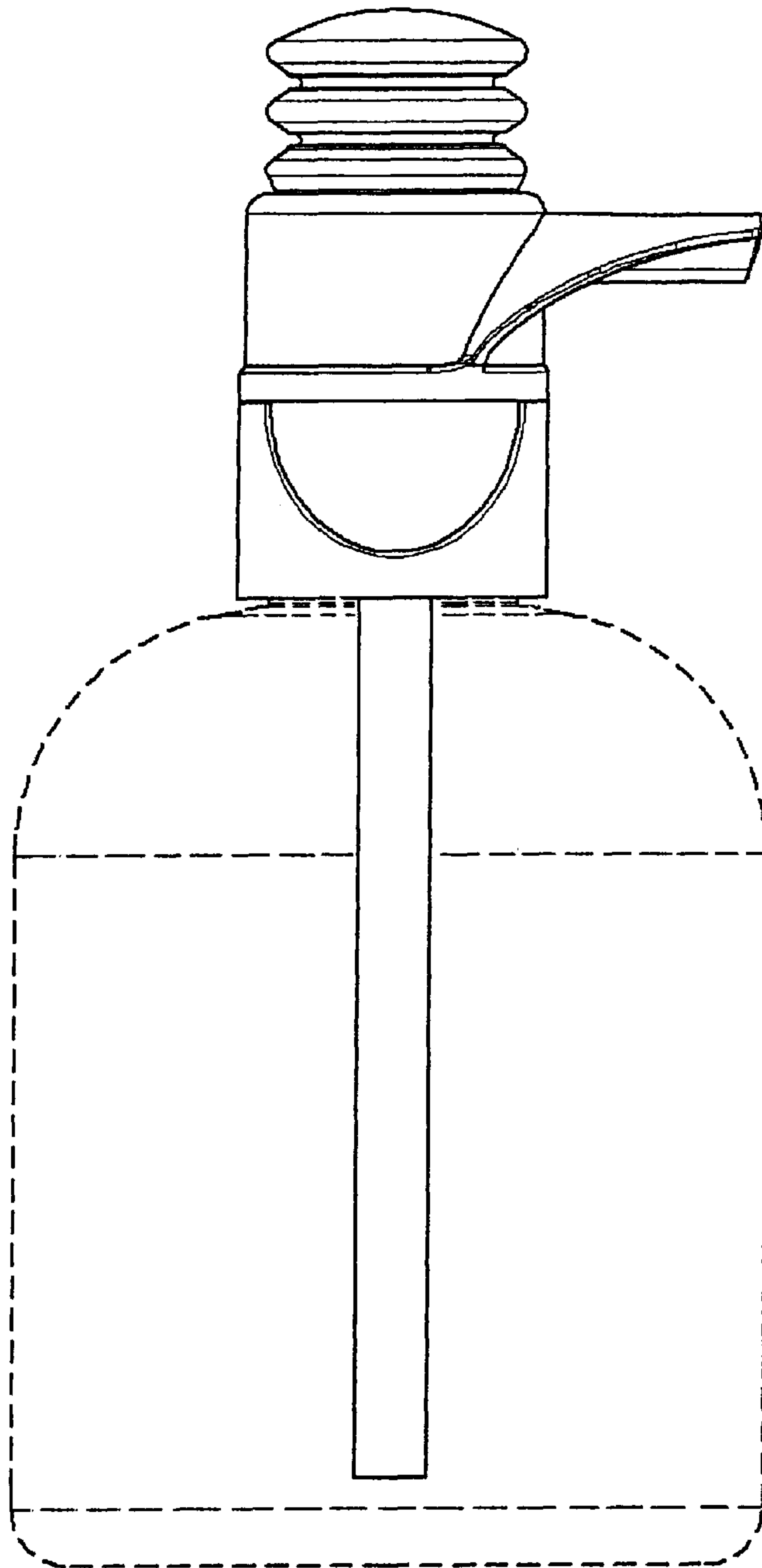


Fig. 13