

US00D528910S

(12) **United States Design Patent**
Kingsley

(10) **Patent No.:** **US D528,910 S**

(45) **Date of Patent:** **** Sep. 26, 2006**

(54) **LID HAVING A CAP AND A STRAP**

(75) Inventor: **Cary A. Kingsley**, Sylvania, OH (US)

(73) Assignee: **G.G. Marck & Associates, Inc.**,
Toledo, OH (US)

(**) Term: **14 Years**

(21) Appl. No.: **29/219,072**

(22) Filed: **Dec. 10, 2004**

(51) **LOC (8) Cl.** **09-07**

(52) **U.S. Cl.** **D9/446; D9/453; D7/392.1**

(58) **Field of Classification Search** D9/453,

D9/452, 449, 447, 446, 443, 436, 435; D8/312,

D8/310; D7/510, 507, 396.2, 393, 392.1,

D7/305; D23/250; D13/174; 220/296; 215/318,

215/256, 252, 219; 206/385; D15/150, 199

See application file for complete search history.

(56) **References Cited**

U.S. PATENT DOCUMENTS

D221,885 S	*	9/1971	Gruett	D15/150
D221,886 S	*	9/1971	Gruett	D15/150
D223,812 S	*	6/1972	Long	D9/453
D266,906 S	*	11/1982	Guerette	D9/453
4,813,562 A	*	3/1989	Begley	215/252
D350,268 S	*	9/1994	Grimm	D9/446
D389,394 S	*	1/1998	Taylor	D8/312
D477,224 S	*	7/2003	Hussain	D9/453
D478,005 S	*	8/2003	Sali	D9/446
D490,315 S	*	5/2004	Kiser	D9/445
D504,066 S	*	4/2005	King	D9/453
D512,874 S	*	12/2005	Poulson et al.	D7/510
2005/0023238 A1	*	2/2005	Wong	215/252

OTHER PUBLICATIONS

Adventure Master, Web page showing Spyder Bottle water bottles, undated, one page, Forth Worth, Texas.

Campmor, Inc., Web pages showing CYCLONE water bottle, Upper, 2001, three pages, Saddle River, New Jersey.

Ceramic Development International, Web page showing H002 and H009 water bottles, 2004, Philadelphia, Pennsylvania.

Nalge Nunc International Corporation, Web page showing NALGENE wide-mouth water bottle, undated, one page, Rochester, New York.

Nalge Nunc International Corporation, Web page showing NALGENE narrow-mouth water bottle, undated, one page, Rochester, New York.

Norwood Promotional Products, Inc., Web page showing NORWOOD water bottle, undated, one page, Austin, Texas. Photograph showing sample water bottle made in the Peoples Republic of China, undated, one page.

* cited by examiner

Primary Examiner—Robert M. Spear

Assistant Examiner—Susan Bennett Hattan

(74) *Attorney, Agent, or Firm*—MacMillan, Sobanski & Todd, LLC

(57) **CLAIM**

The ornamental design for a lid having a cap and a strap, as shown and described.

DESCRIPTION

FIG. 1 is a front elevational view of a lid having a cap and a strap according to the present design as shown in use;

FIG. 2 is a top plan view of the lid having a cap and a strap according to the present design with the strap extending outwardly;

FIG. 3 is a front elevational view thereof;

FIG. 4 is a bottom plan view thereof;

FIG. 5 is a back elevational view thereof;

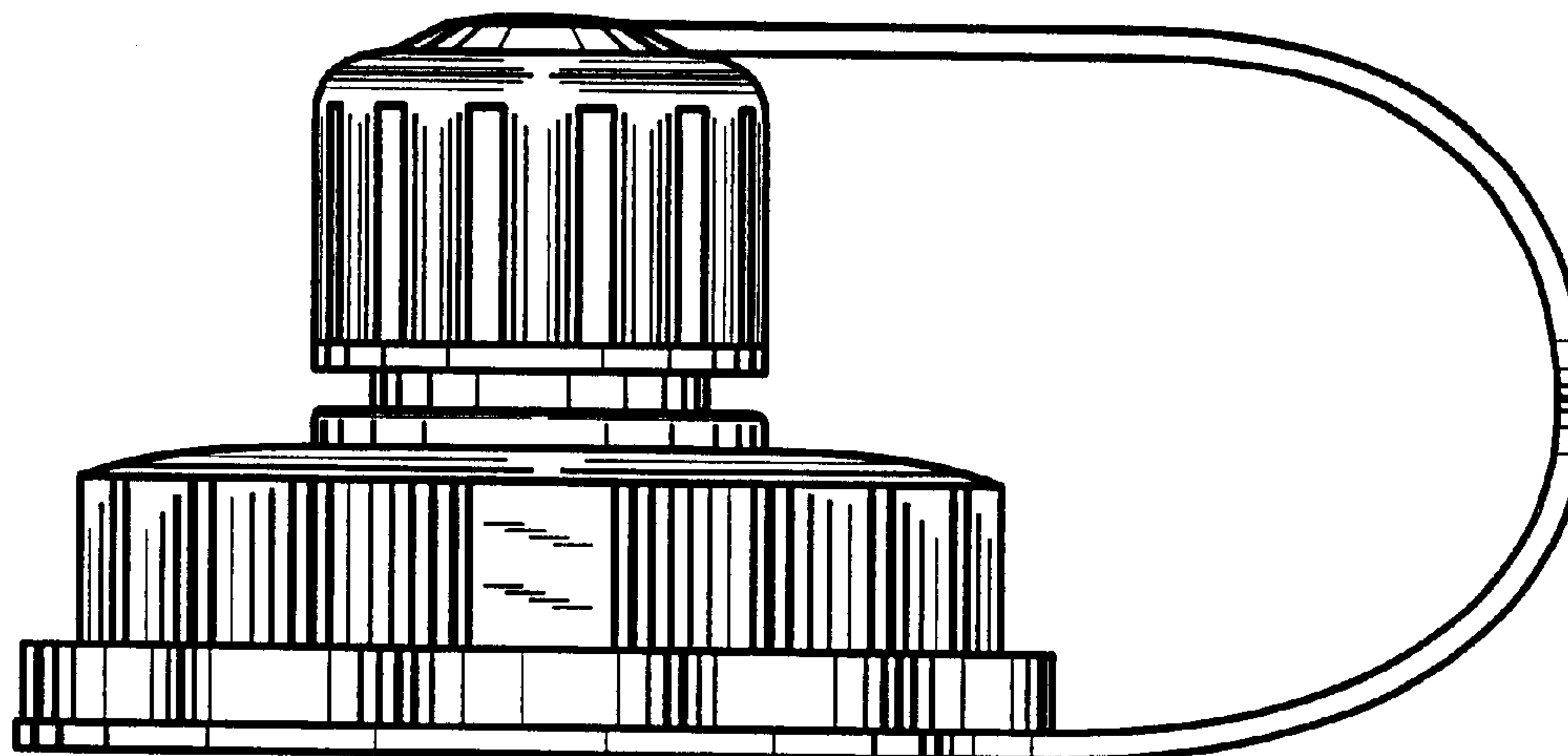
FIG. 6 is a first side elevational view thereof;

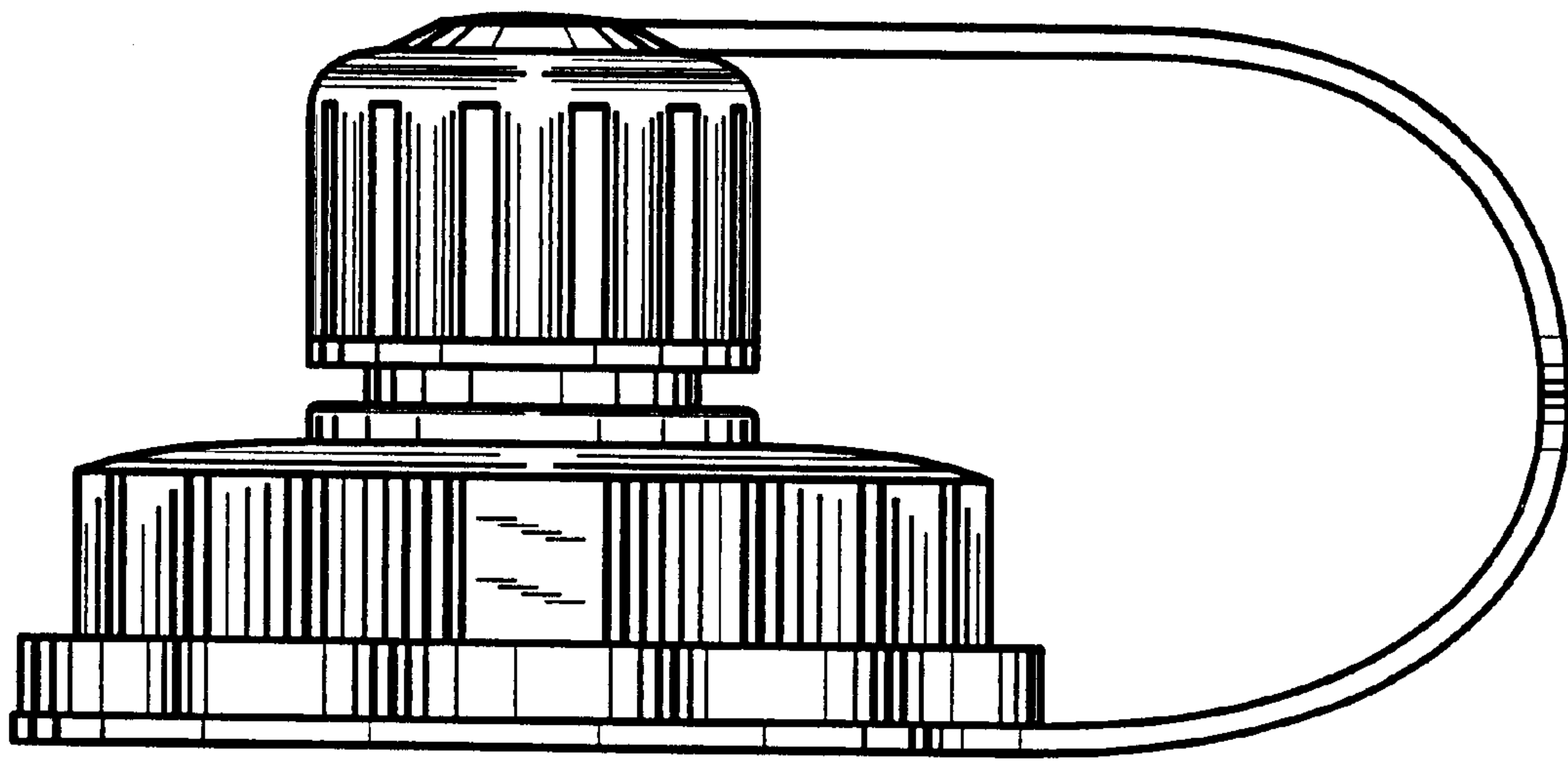
FIG. 7 is a second side elevational view thereof;

FIG. 8 is a cross-sectional view taken along line 8—8 of FIG. 4; and,

FIG. 9 is a cross-sectional view taken along line 9—9 of FIG. 4.

1 Claim, 5 Drawing Sheets





— FIG. 1

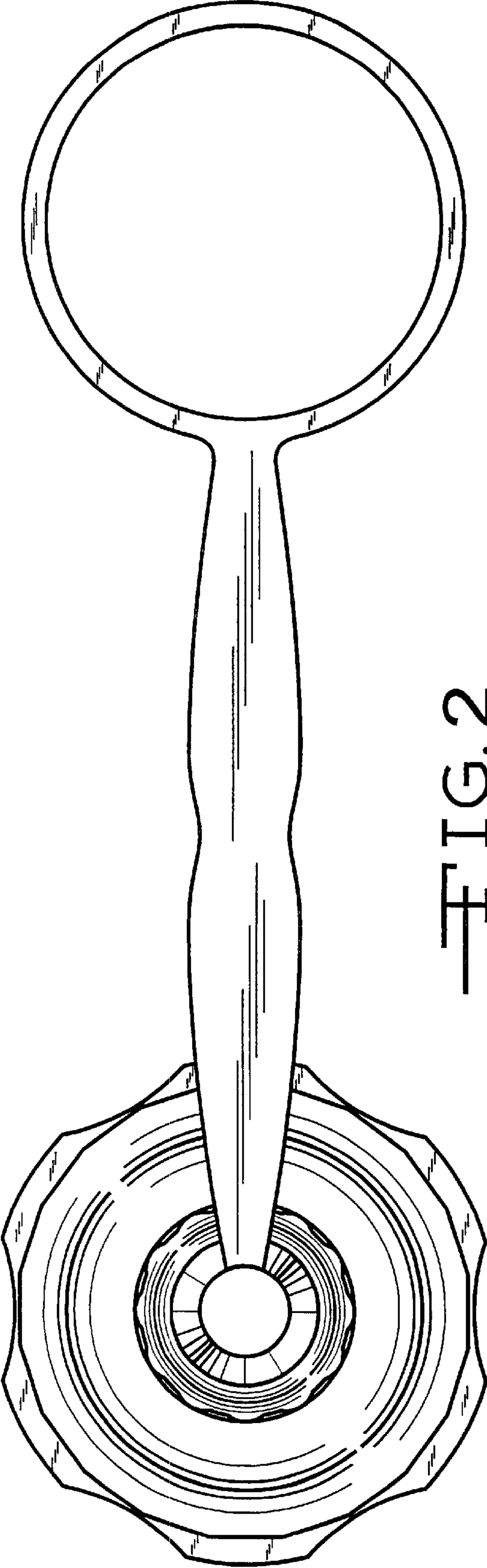


FIG. 2

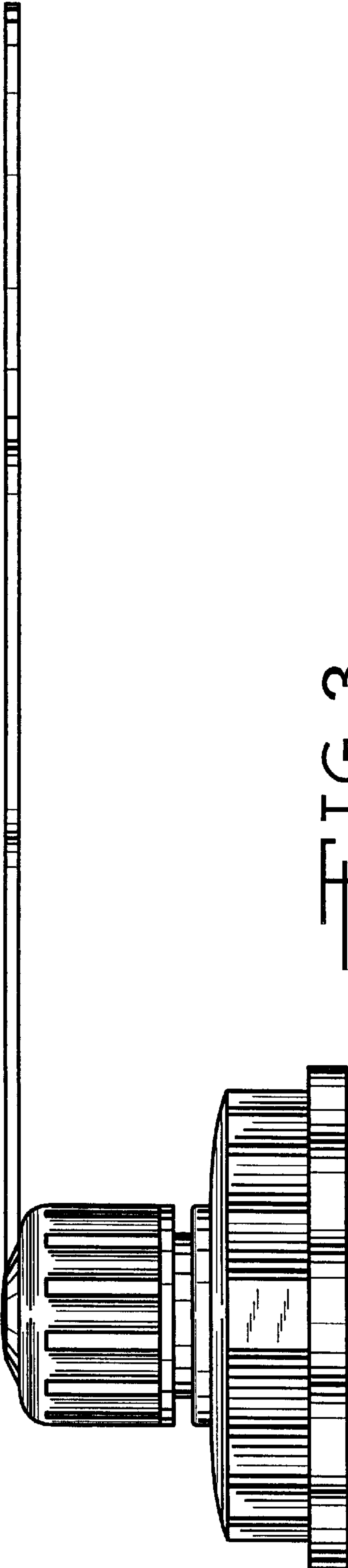
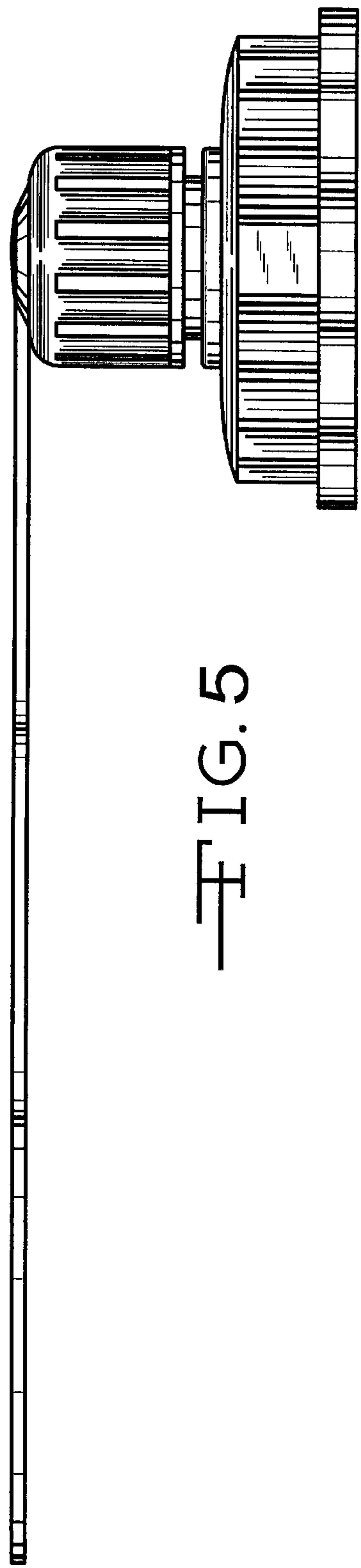
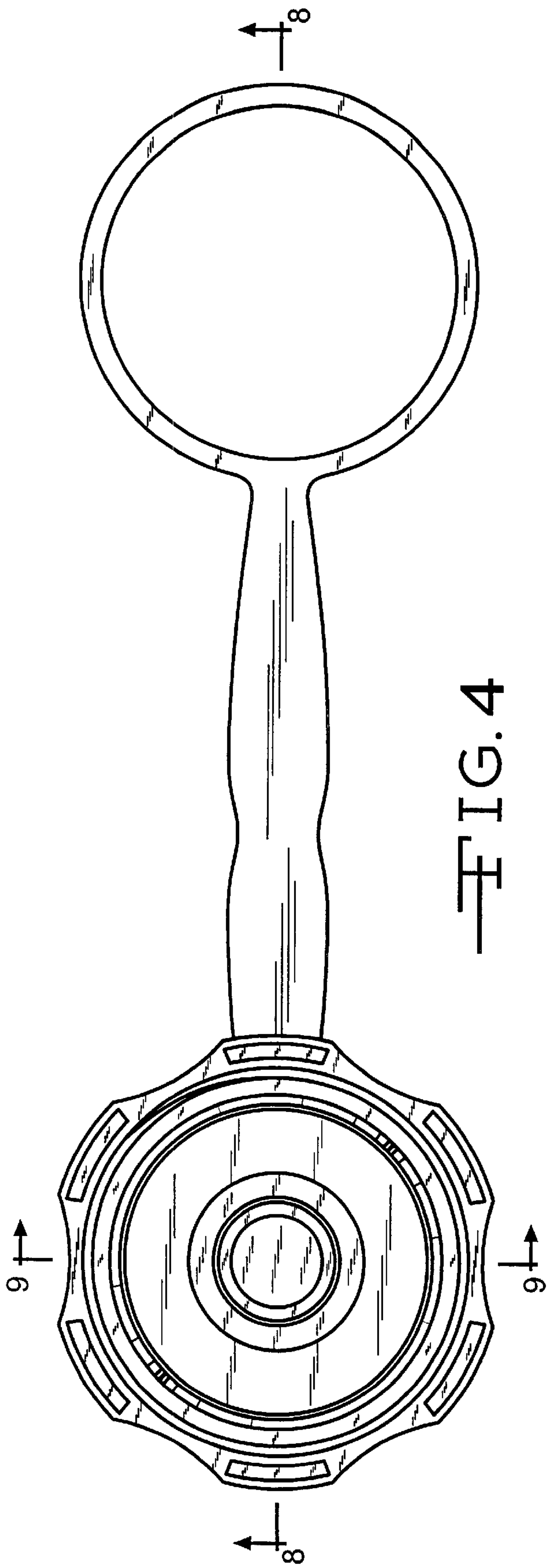


FIG. 3



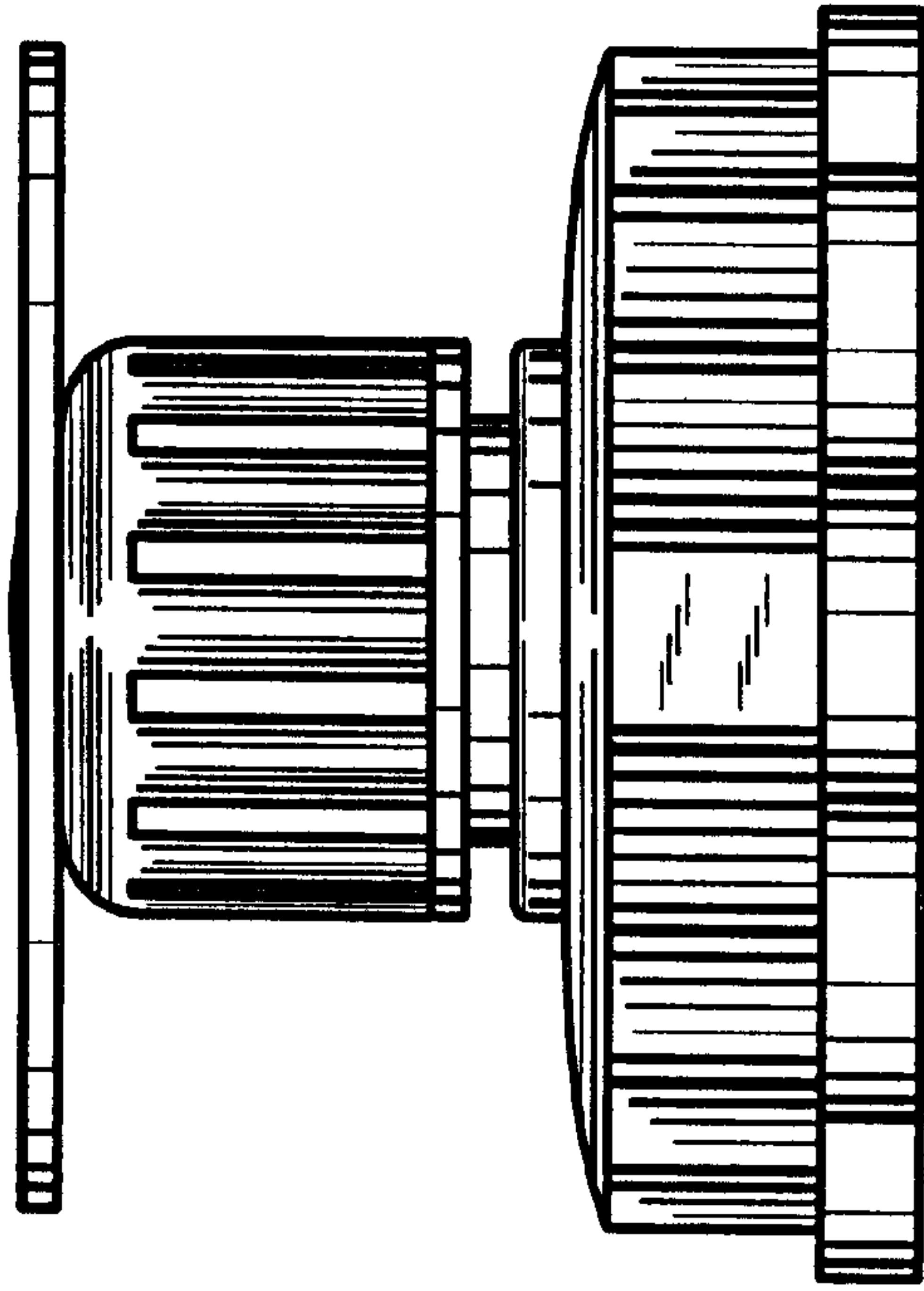


FIG. 7

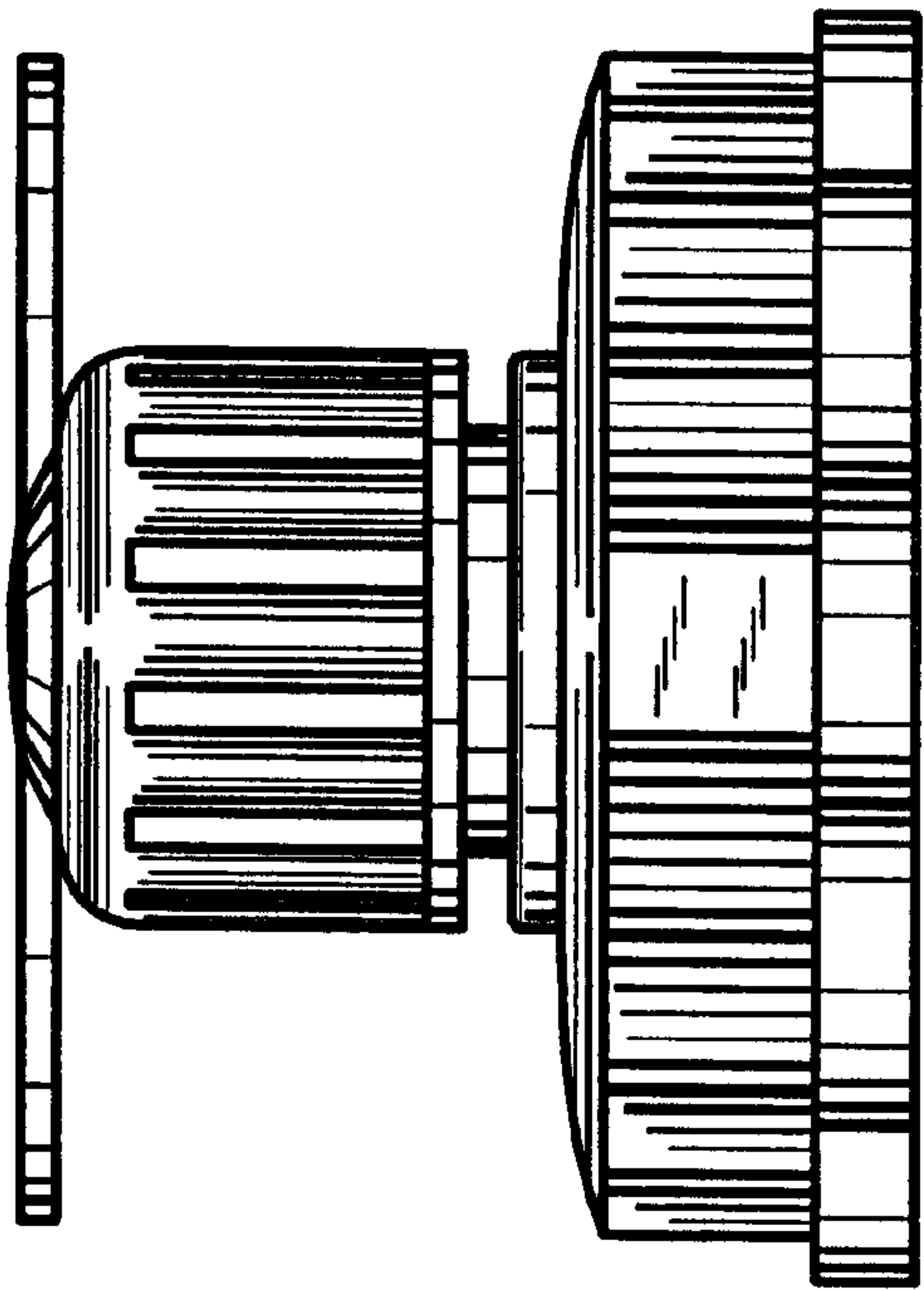


FIG. 6

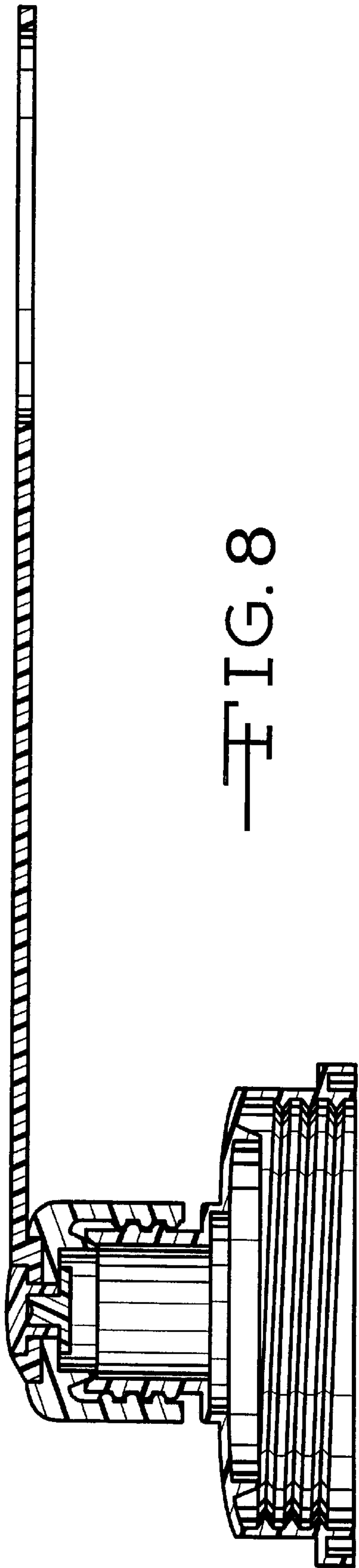


FIG. 8

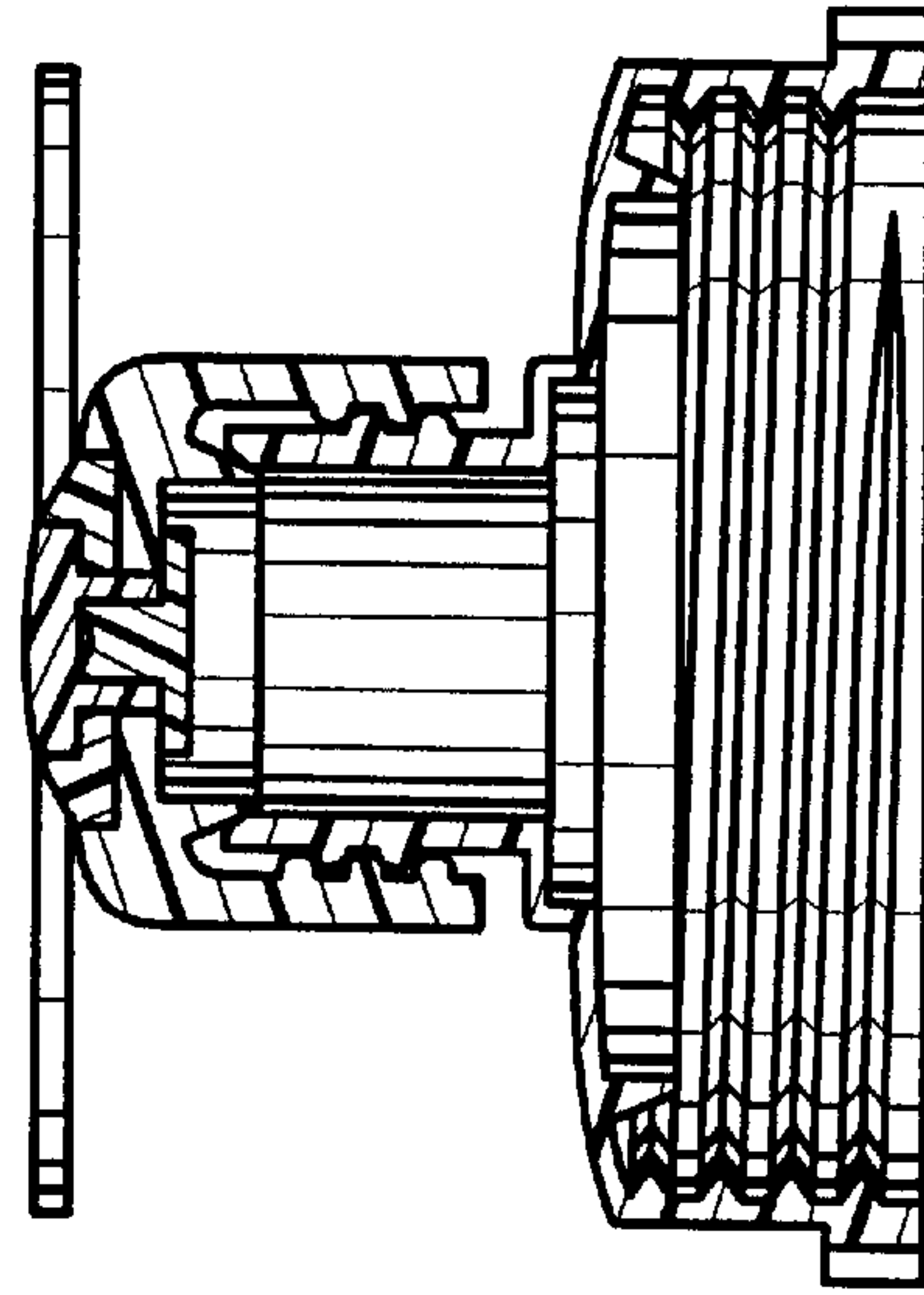


FIG. 9