



US00D528904S

(12) **United States Design Patent**
Reding

(10) **Patent No.:** **US D528,904 S**

(45) **Date of Patent:** **** Sep. 26, 2006**

(54) **OXYGEN TANK HOLDER**

(76) Inventor: **Anthony C. Reding**, 1079 Wilson Ave.,
St. Paul, MN (US) 55106

(**) Term: **14 Years**

(21) Appl. No.: **29/235,769**

(22) Filed: **Aug. 4, 2005**

(51) **LOC (8) Cl.** **08-08**

(52) **U.S. Cl.** **D8/395**

(58) **Field of Classification Search** D8/356,
D8/371, 394-396, 499, 53, 100, 365; D12/51;
D19/65, 90; D28/39, 40, 42; 24/546, 563,
24/327, 334, DIG. 8, DIG. 9, DIG. 13, DIG. 28;
248/74.2, 300, 301, 316.7, 229.26
See application file for complete search history.

(56) **References Cited**

U.S. PATENT DOCUMENTS

| | | | | | |
|-------------|---|---------|---------------|-------|--------|
| D61,736 S | * | 12/1922 | Faust | | D6/553 |
| D199,828 S | * | 12/1964 | Regan | | D19/88 |
| D203,101 S | * | 12/1965 | Holder et al. | | D3/218 |
| D229,744 S | * | 1/1974 | Oletti | | D8/395 |
| 3,970,344 A | | 7/1976 | Baumann | | |
| 4,213,648 A | | 7/1980 | Steichen | | |
| 4,696,420 A | | 9/1987 | Kulik | | |
| D300,089 S | * | 3/1989 | Edwards | | D6/323 |
| 4,861,059 A | | 8/1989 | Shirk | | |
| D318,608 S | * | 7/1991 | Schenker | | D8/382 |

| | | | | | |
|-------------|---|---------|--------------|-------|-----------|
| D331,007 S | * | 11/1992 | Roick | | D8/367 |
| 5,340,140 A | | 8/1994 | Bynum | | |
| 5,910,351 A | * | 6/1999 | Davis et al. | | 428/100 |
| 5,975,476 A | * | 11/1999 | Mancinelli | | 248/316.7 |
| D494,047 S | * | 8/2004 | Klein et al. | | D8/371 |

* cited by examiner

Primary Examiner—Louis S. Zarfes

Assistant Examiner—John Windmuller

(74) *Attorney, Agent, or Firm*—Kagan Binder, PLLC

(57) **CLAIM**

The ornamental design for an oxygen tank holder, as shown.

DESCRIPTION

FIG. 1 is a perspective view of an oxygen tank holder of the present design;

FIG. 2 is a right side elevational view of the oxygen tank holder of FIG. 1;

FIG. 3 is a left side elevational view of the oxygen tank holder of FIG. 1;

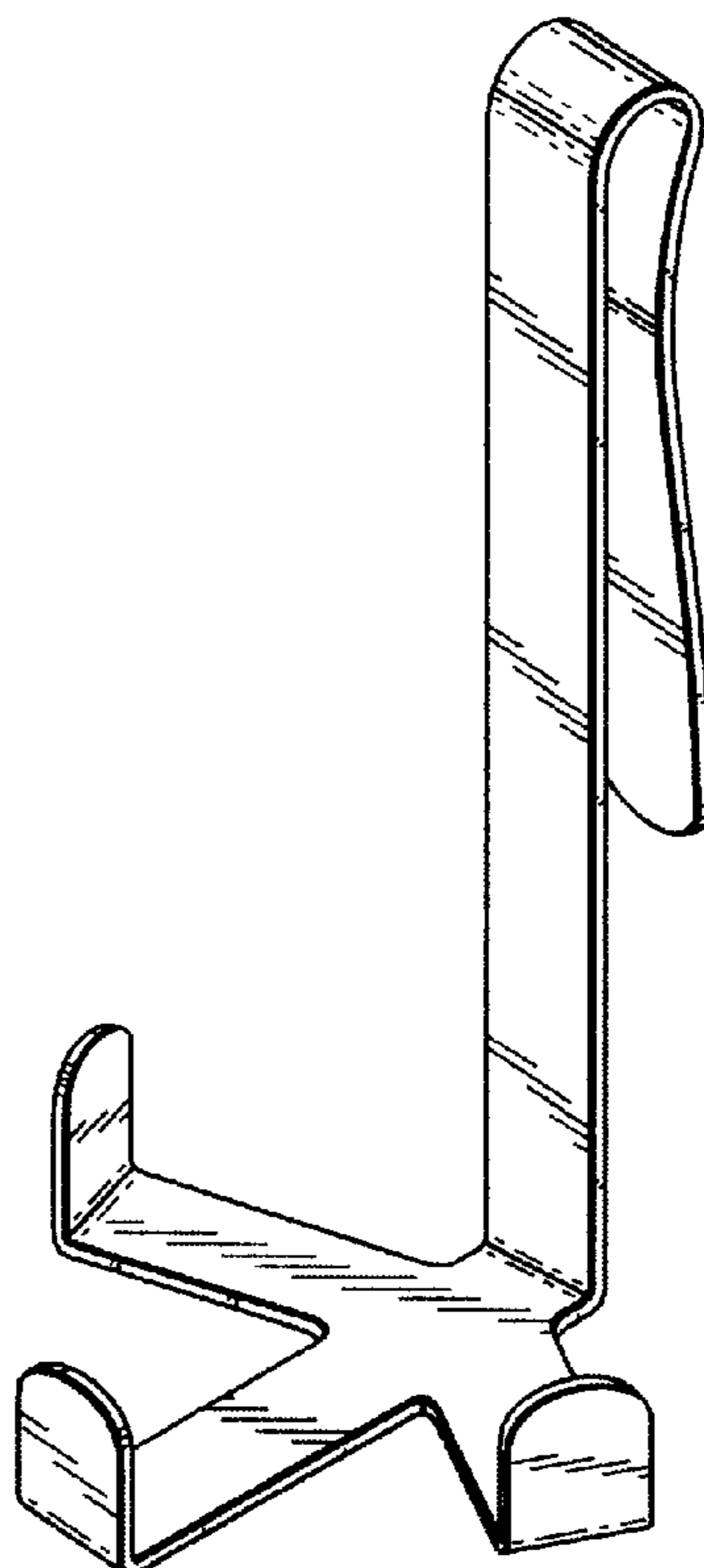
FIG. 4 is a front elevational view of the oxygen tank holder of FIG. 1;

FIG. 5 is a rear elevational view of the oxygen tank holder of FIG. 1;

FIG. 6 is a top plan view of the oxygen tank holder of FIG. 1; and,

FIG. 7 is a bottom plan view of the oxygen tank holder of FIG. 1.

1 Claim, 4 Drawing Sheets



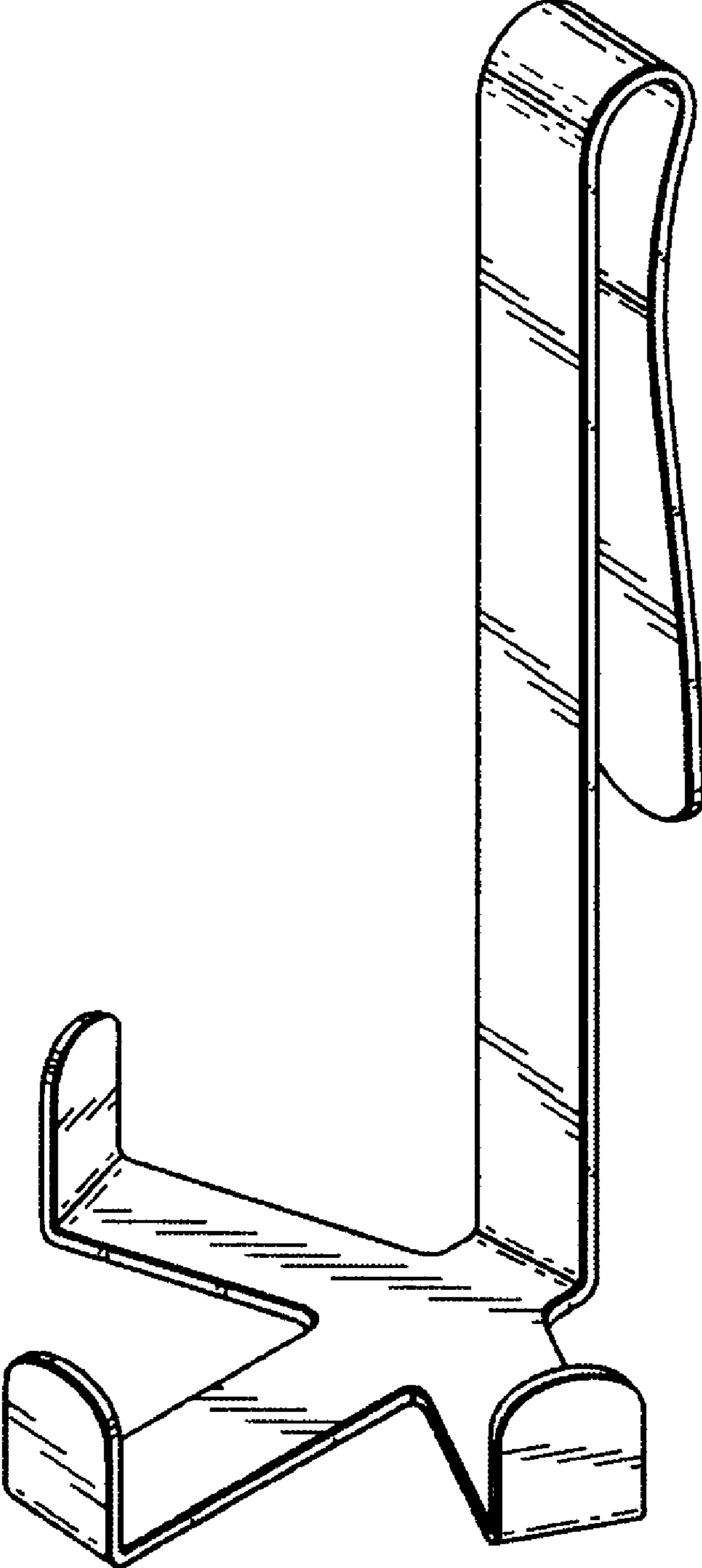


Fig. 1



Fig. 2

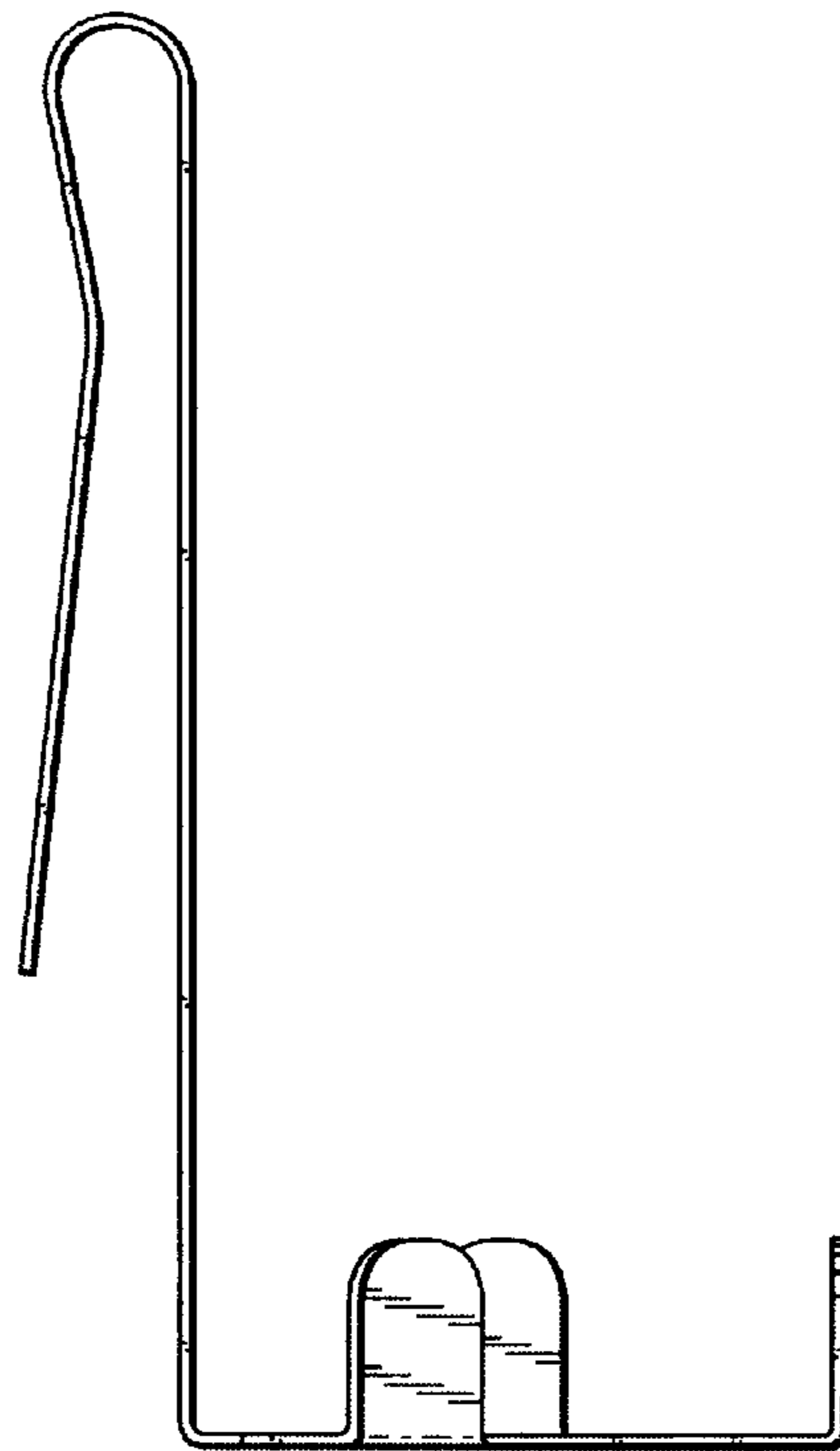


Fig. 3

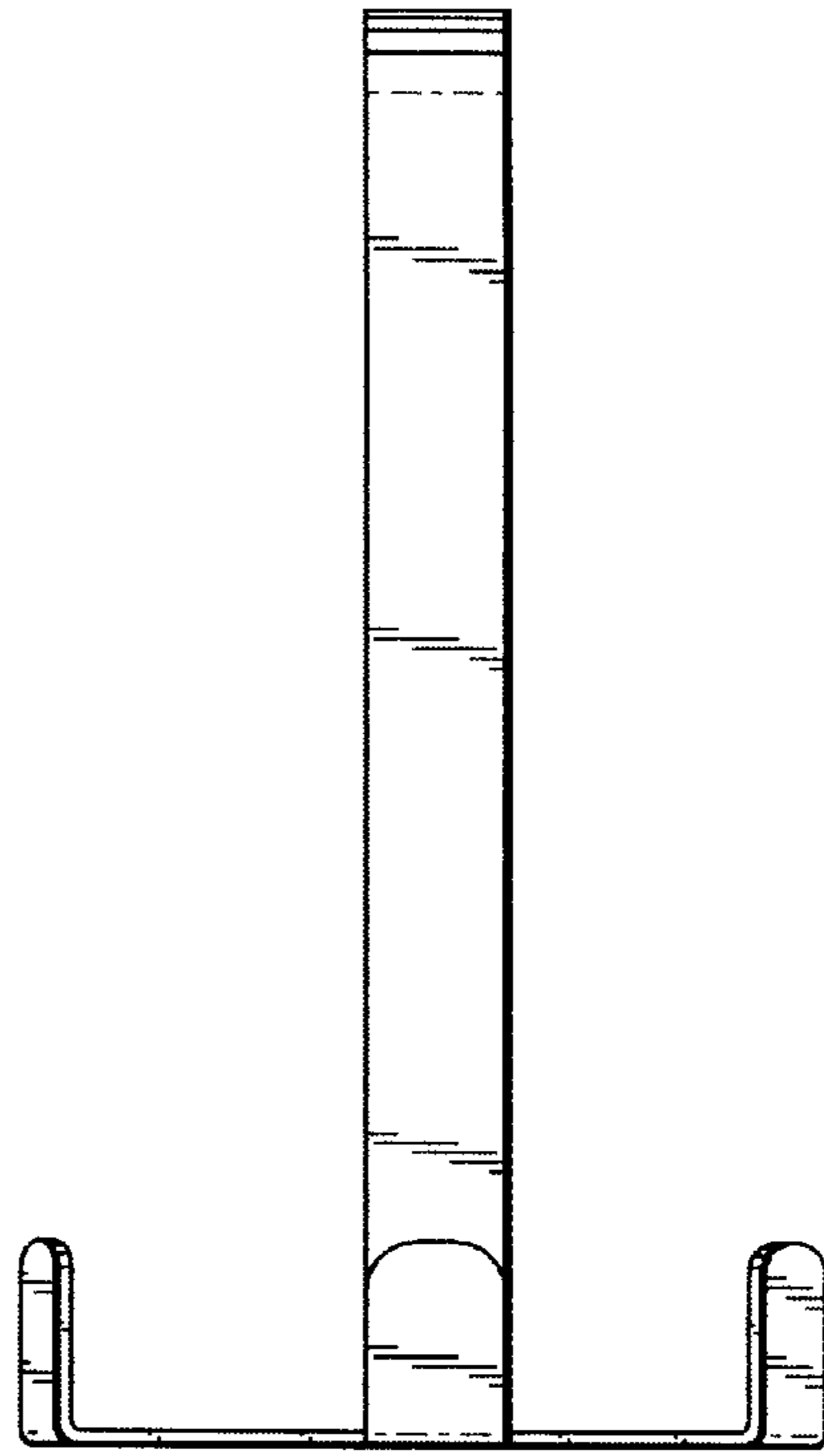


Fig. 4

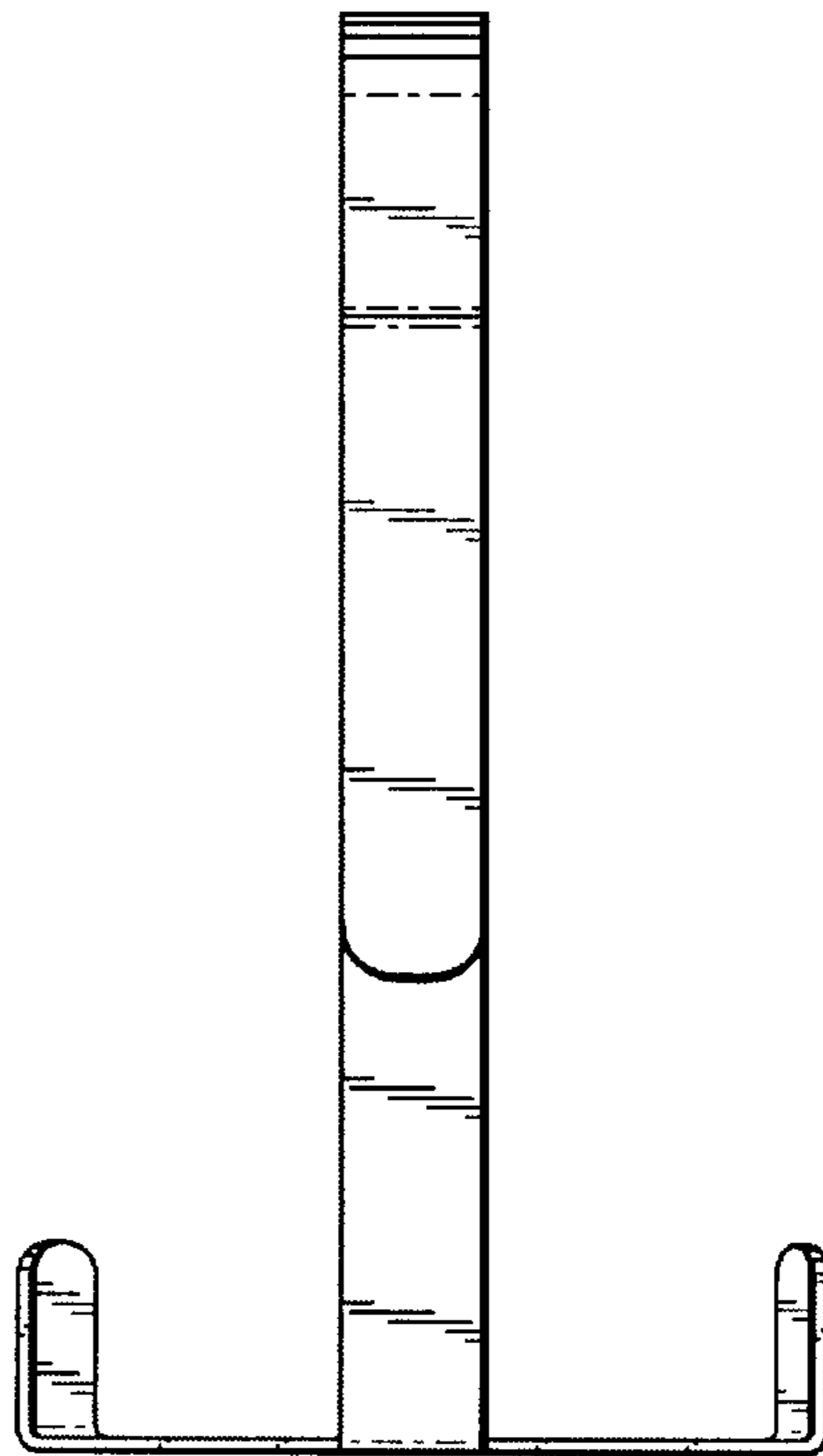


Fig. 5

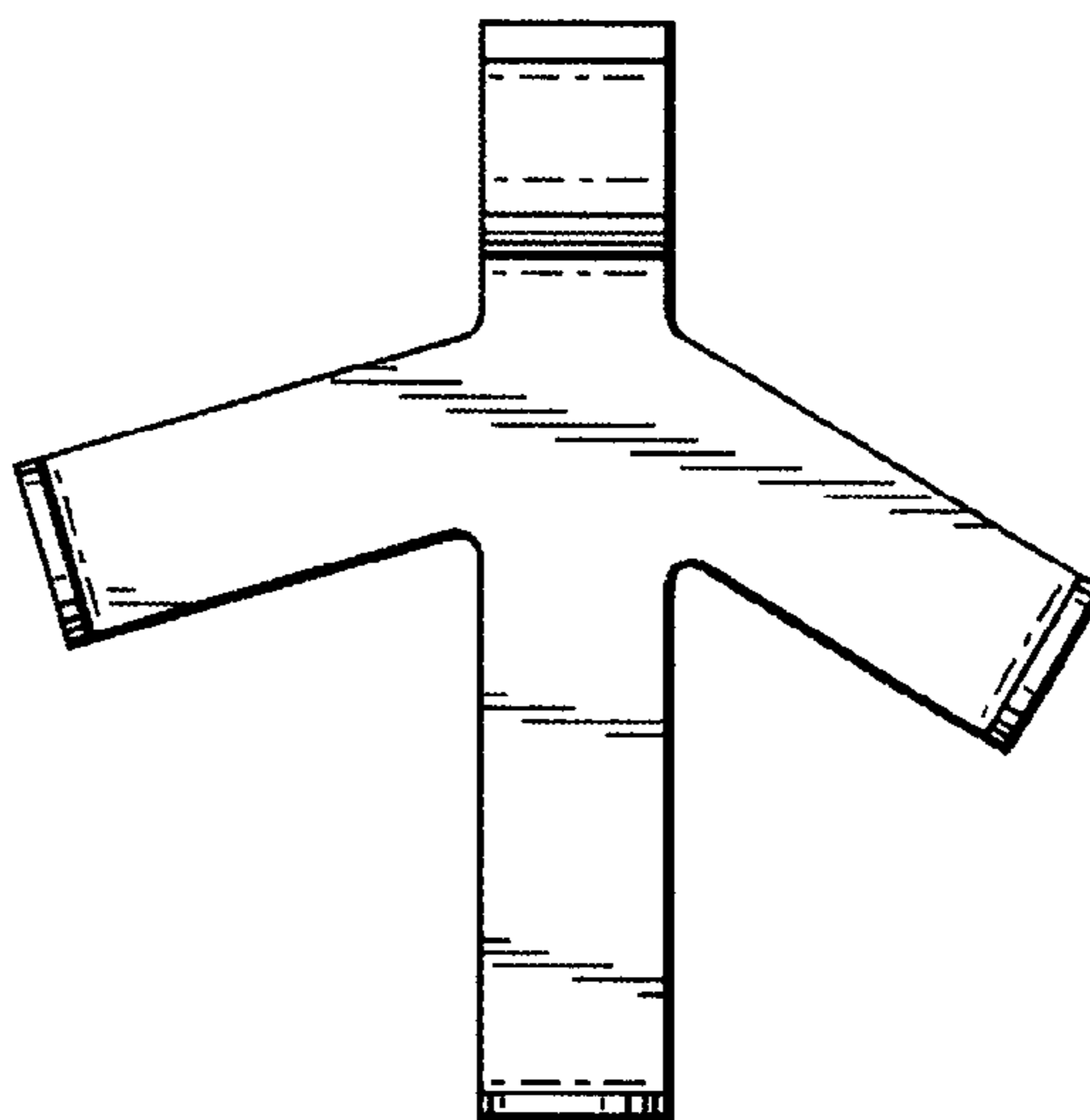


Fig. 6

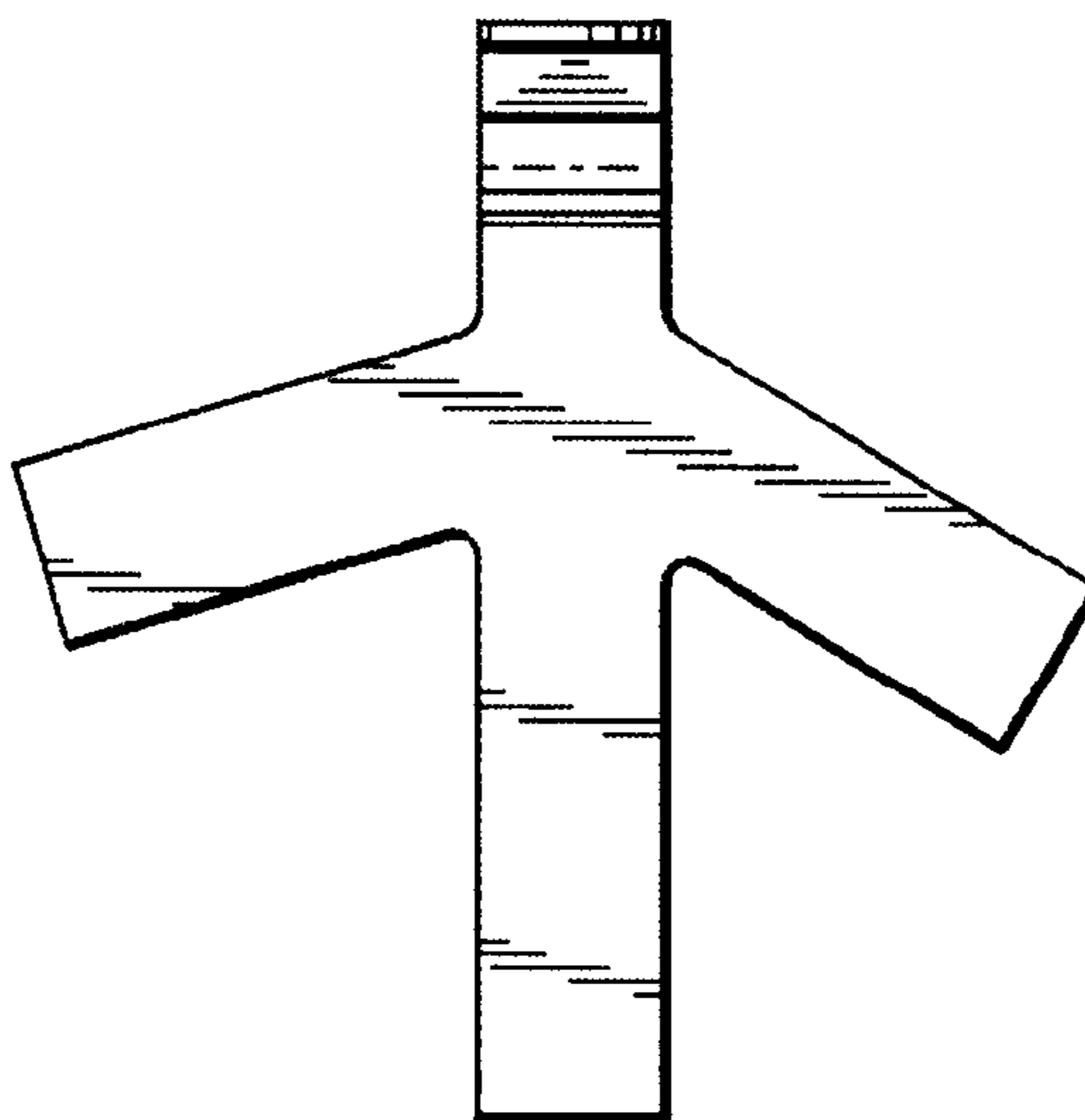


Fig. 7