



US00D528902S

(12) **United States Design Patent**
Mandel

(10) **Patent No.:** **US D528,902 S**

(45) **Date of Patent:** **** Sep. 26, 2006**

(54) **FORCE CLIP**

D469,812 S * 2/2003 Isaacs D19/88
D497,183 S * 10/2004 Chiu D19/65
D513,173 S * 12/2005 Wolff D8/395

(75) Inventor: **Logan Flash Mandel**, Los Angeles, CA (US)

* cited by examiner

(73) Assignee: **GMPC, LLC**, Santa Monica, CA (US)

Primary Examiner—Louis S. Zarfes

(**) Term: **14 Years**

Assistant Examiner—John Windmuller

(21) Appl. No.: **29/212,971**

(74) *Attorney, Agent, or Firm*—Christie, Parker & Hale, LLP

(22) Filed: **Sep. 10, 2004**

(57) **CLAIM**

(51) **LOC (8) Cl.** **08-08**

The ornamental design for force clip, as shown and described.

(52) **U.S. Cl.** **D8/395**

DESCRIPTION

(58) **Field of Classification Search** D8/356,
D8/371, 394–396, 499, 53, 100, 365; D12/51;
D19/65, 90; D28/39, 40, 42; 24/546, 563,
24/910, 327, 334, DIG. 8, DIG. 9, DIG. 13,
24/DIG. 28; 248/74.2, 300, 301, 316.7, 229.26
See application file for complete search history.

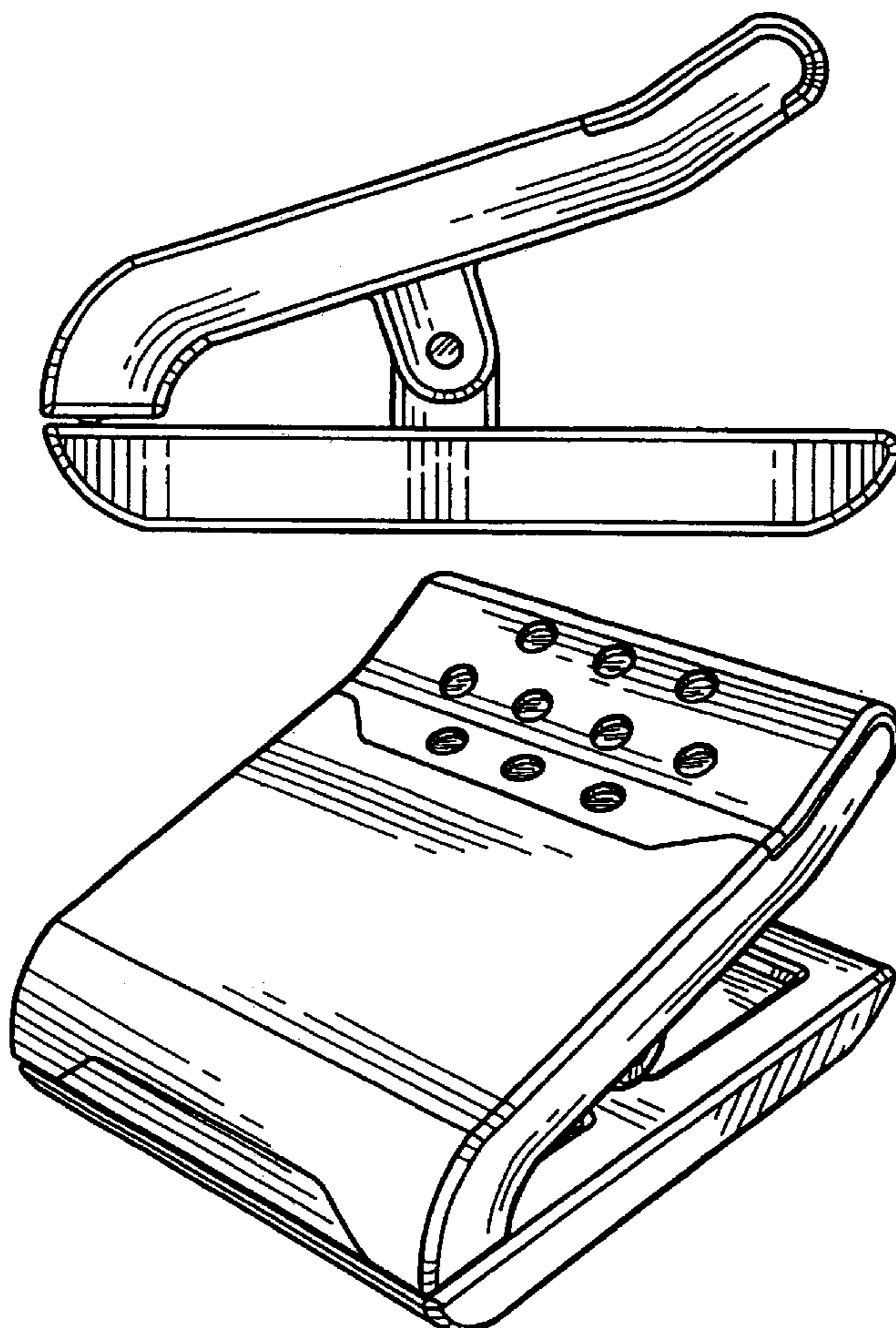
FIG. 1 is a top plan view of a force clip showing my new design;
FIG. 2 is a bottom plan view thereof;
FIG. 3 is a front elevational view thereof;
FIG. 4 is a rear elevational view thereof;
FIG. 5 is a right side elevational view thereof;
FIG. 6 is a left side elevational view thereof;
FIG. 7 is a top right front perspective view thereof; and,
FIG. 8 is a top left rear perspective view thereof.

(56) **References Cited**

U.S. PATENT DOCUMENTS

D379,626 S * 6/1997 Mak D14/168
D428,921 S * 8/2000 Saylor et al. D19/65

1 Claim, 4 Drawing Sheets



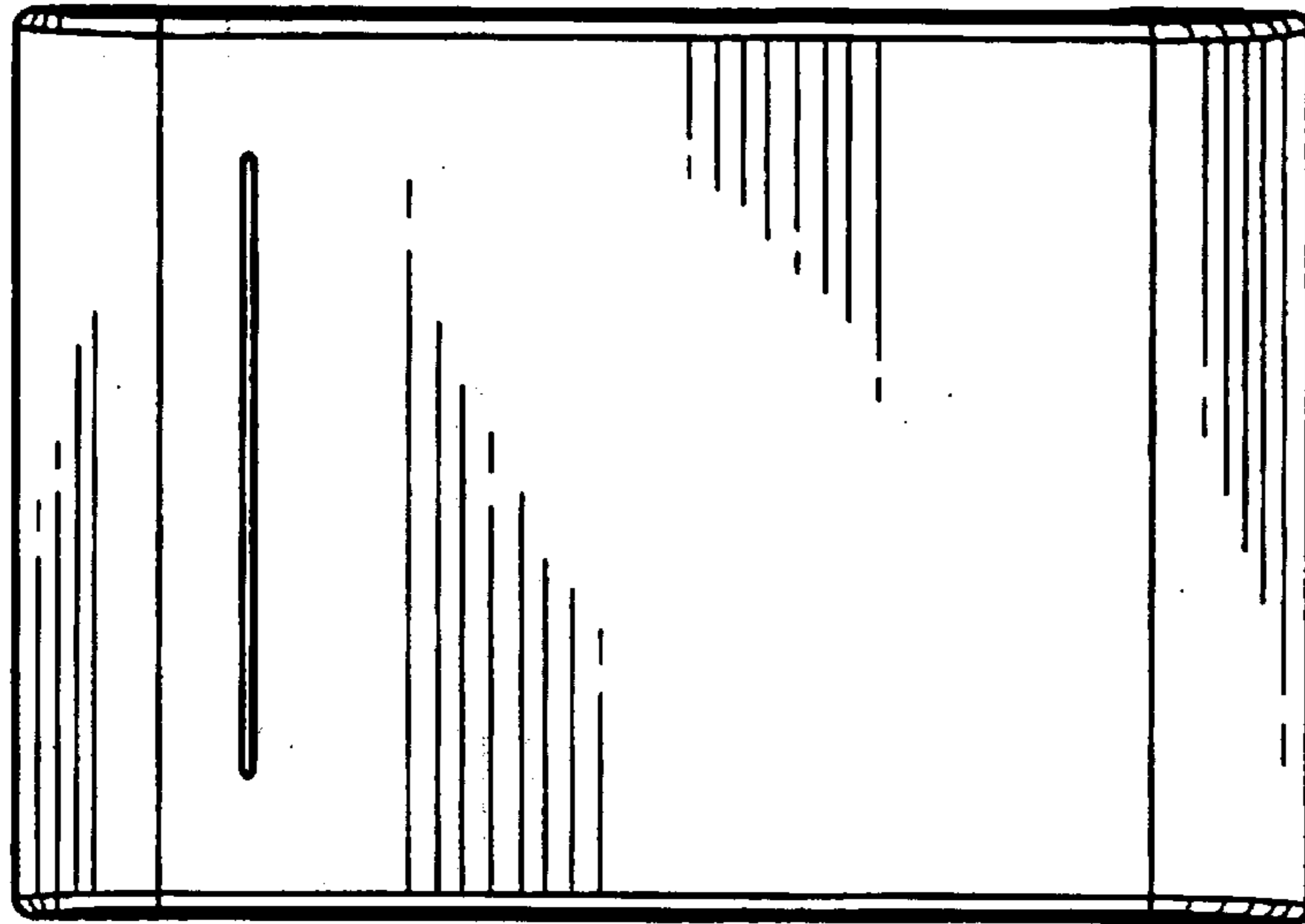


FIG-2

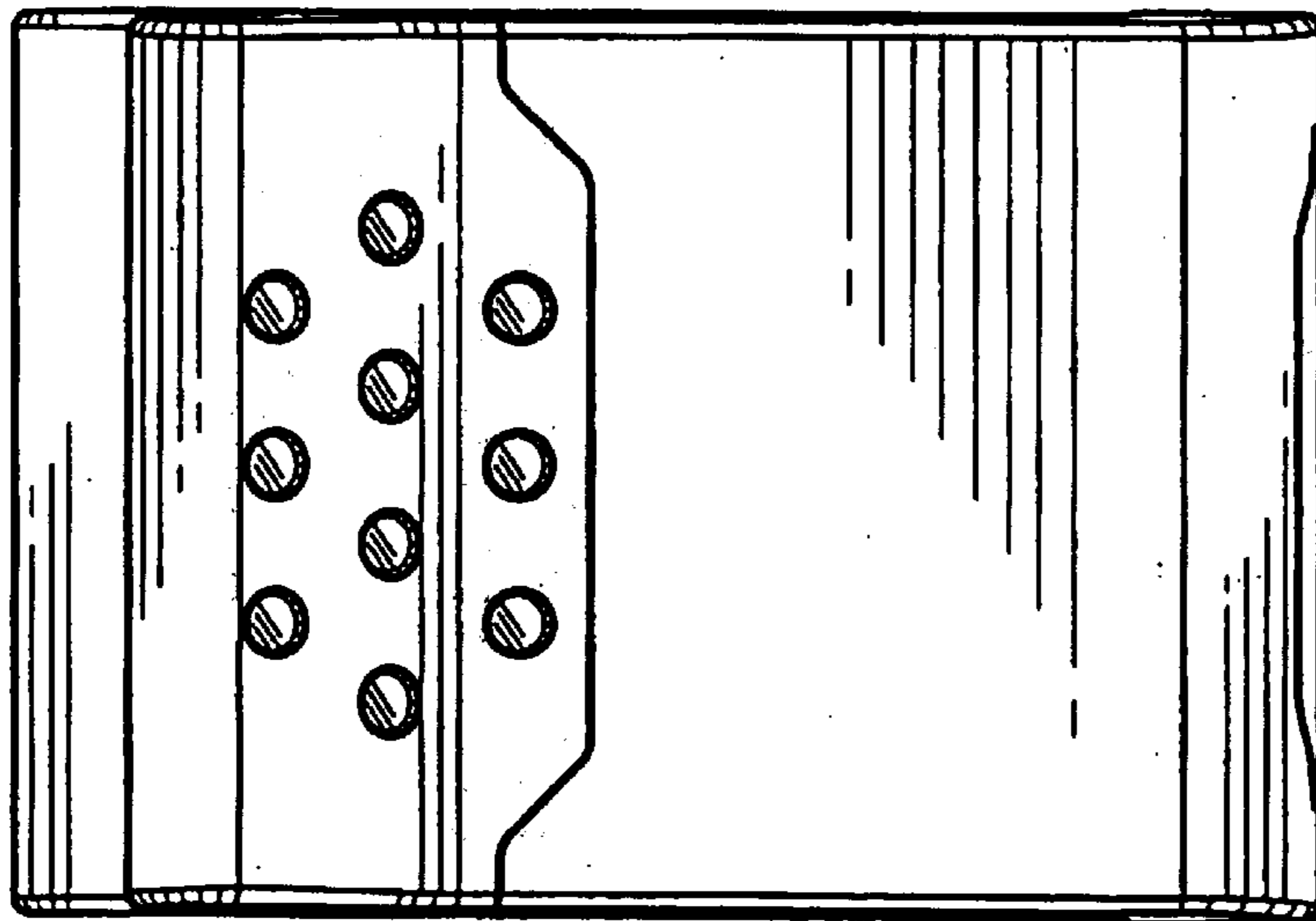


FIG-1

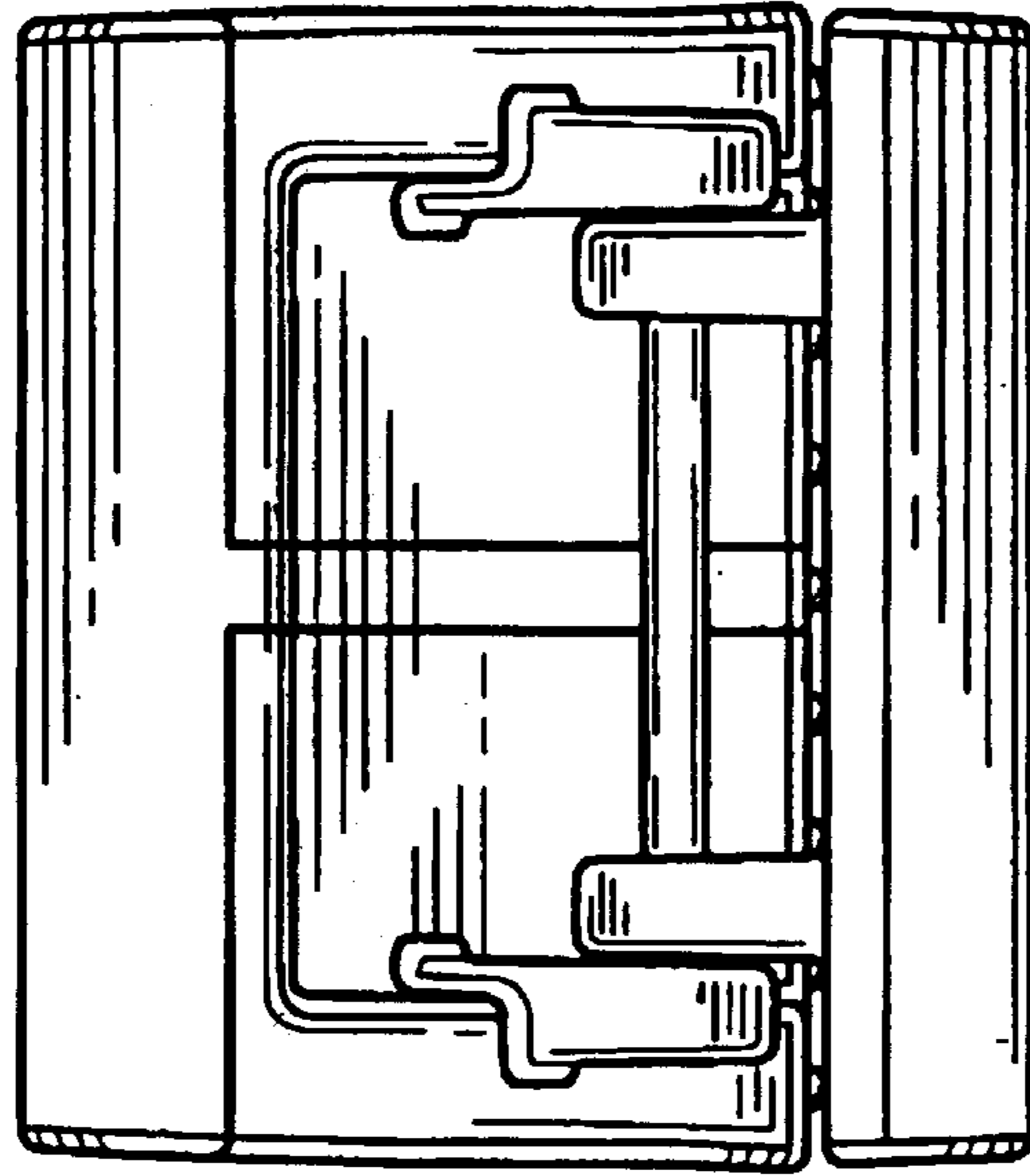


FIG-4

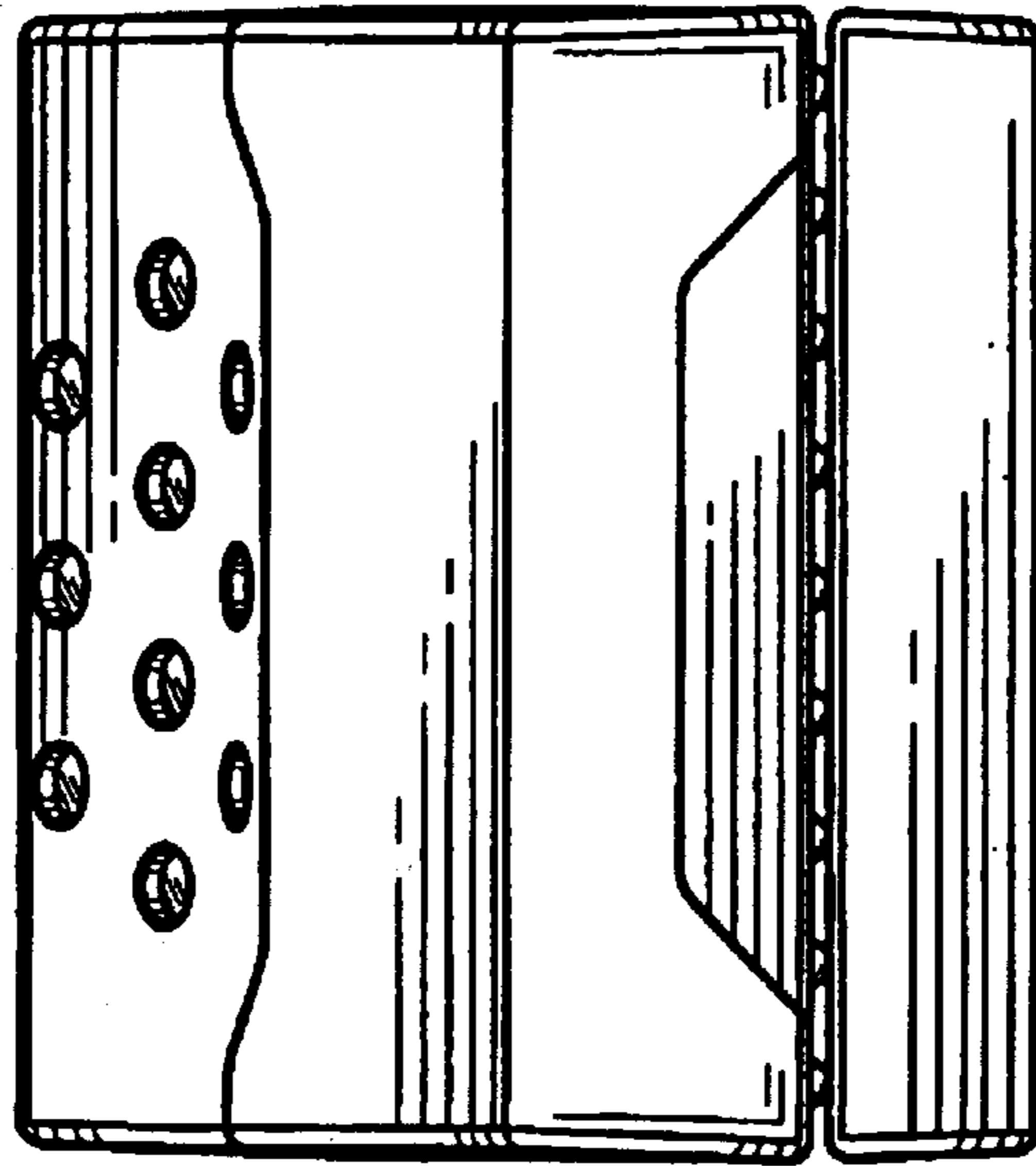


FIG-3

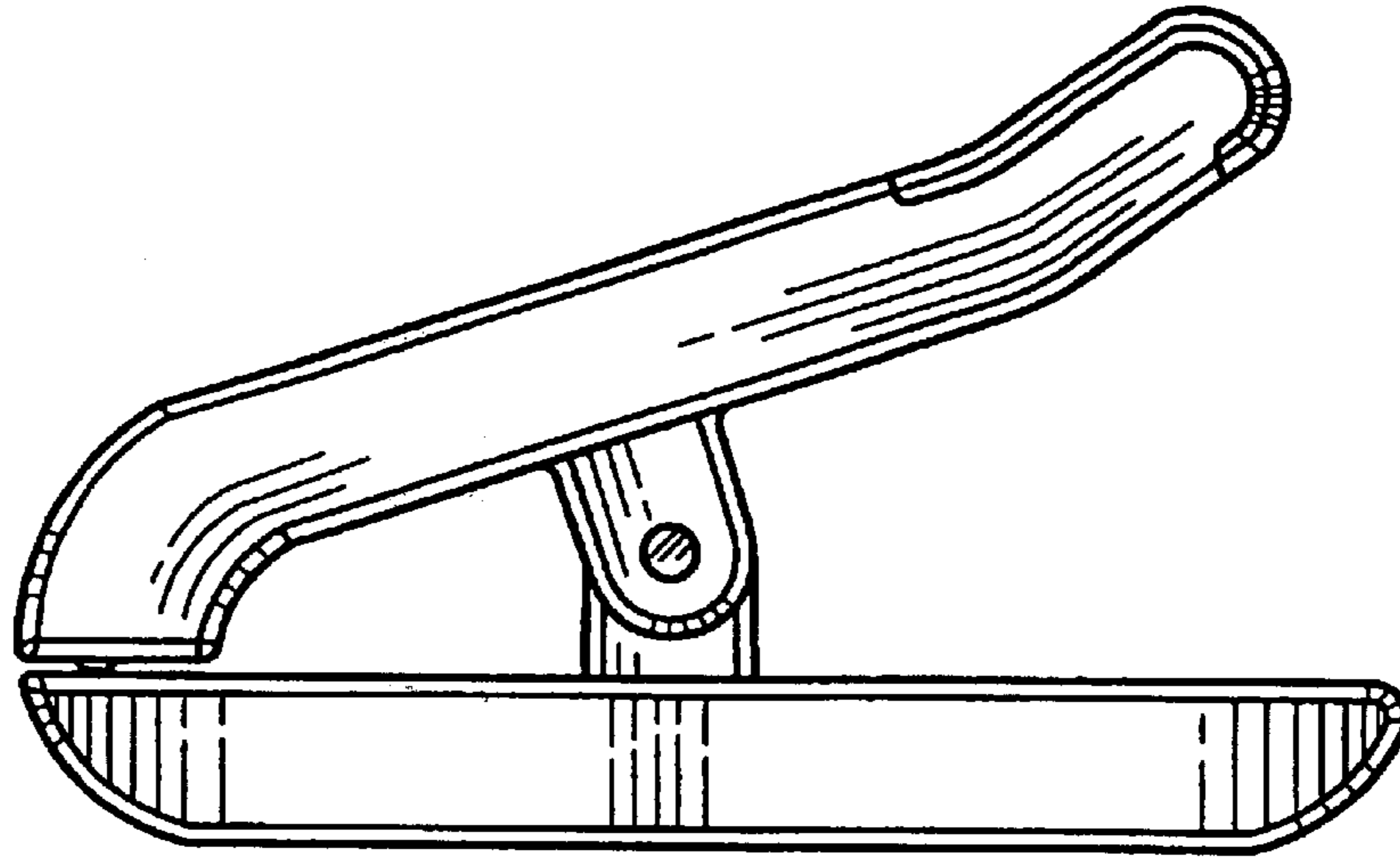


FIG-5

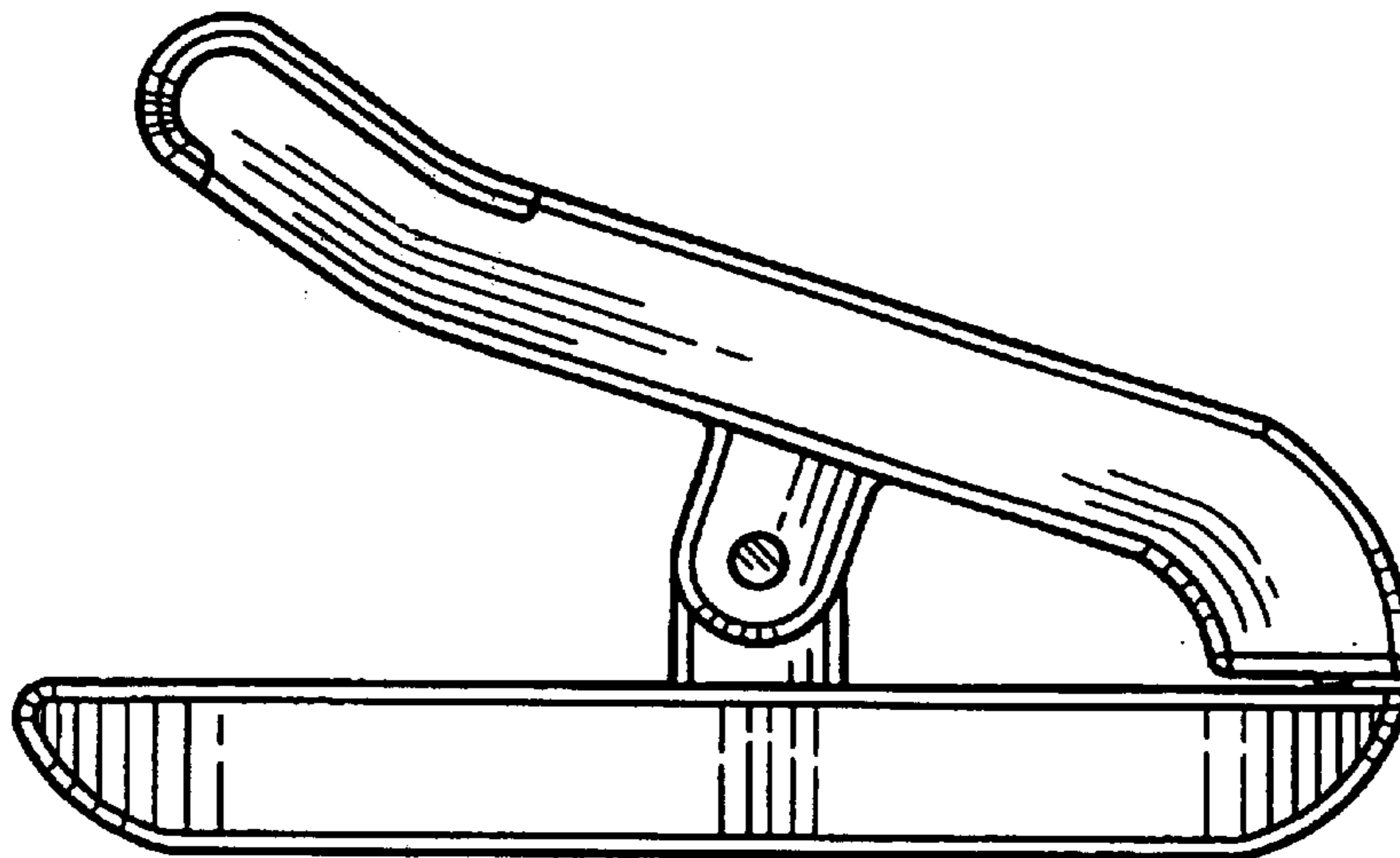


FIG-6

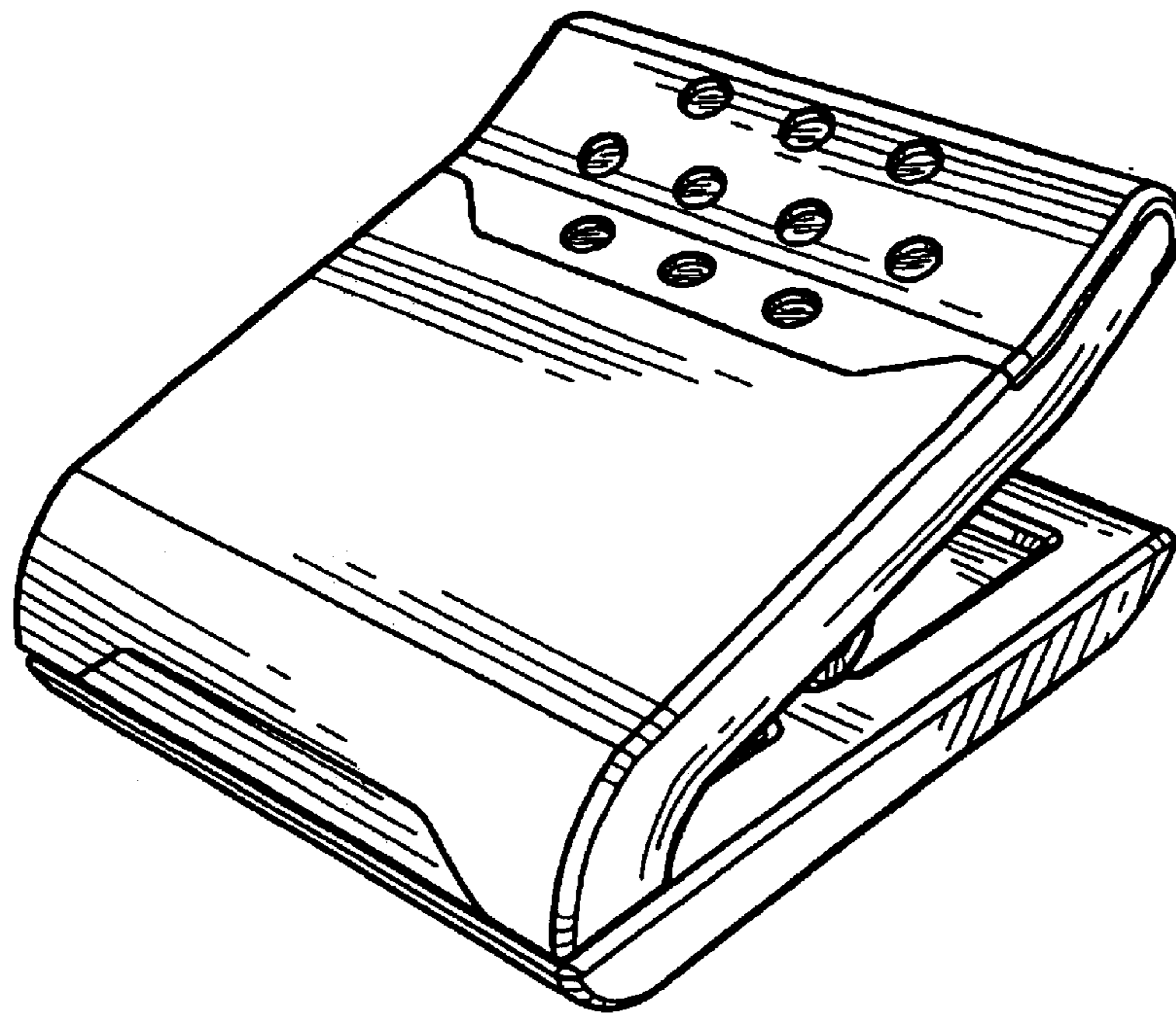


FIG-7

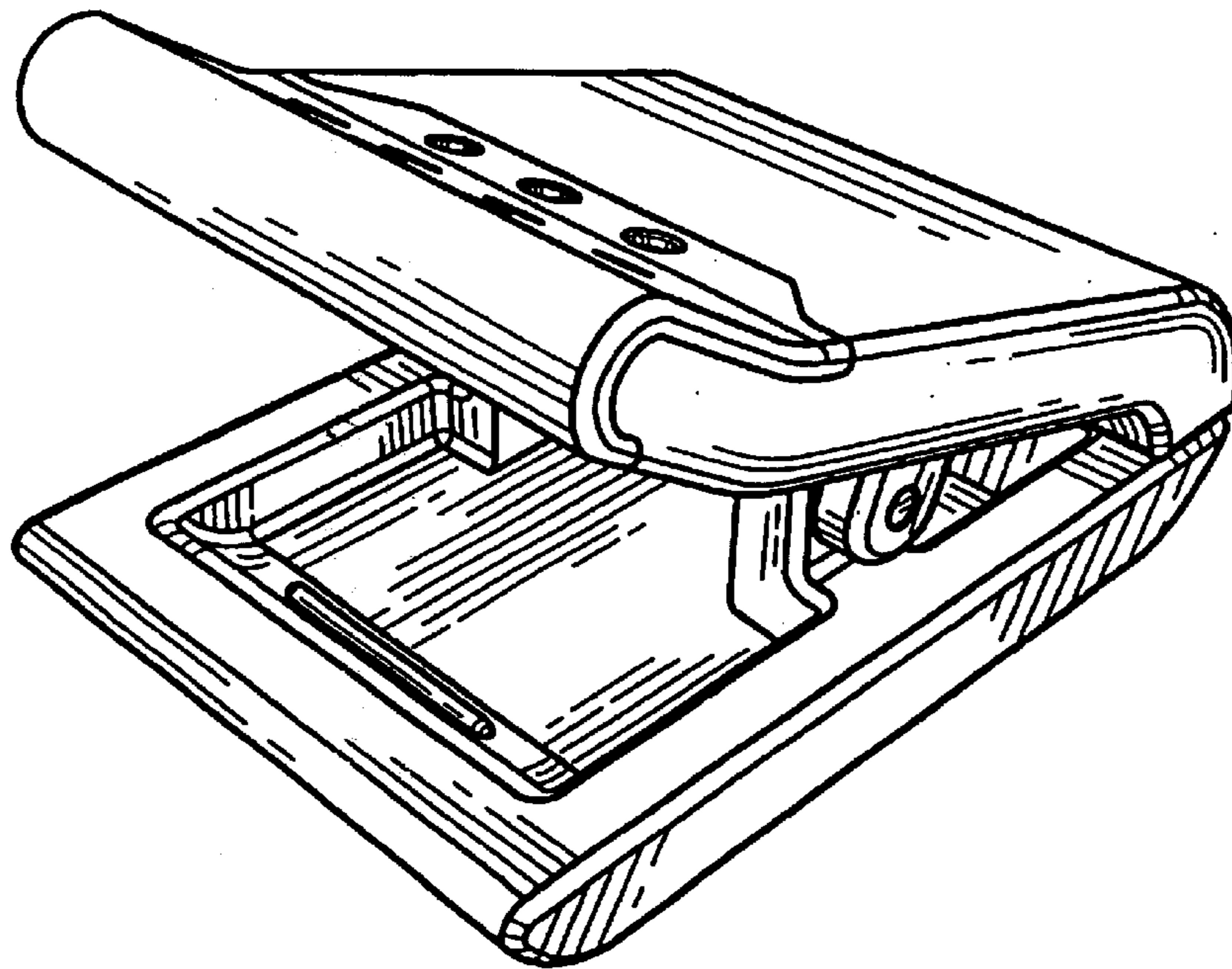


FIG-8