



US00D528901S

(12) **United States Design Patent**
David

(10) **Patent No.:** **US D528,901 S**

(45) **Date of Patent:** **** Sep. 26, 2006**

(54) **FLAT TELEVISION WALL MOUNTING
HARDWARE WITH FINITE TILT POSITIONS**

(76) Inventor: **Mike David**, 1230 Quarry St., Corona,
CA (US) 92879

(**) Term: **14 Years**

(21) Appl. No.: **29/222,814**

(22) Filed: **Feb. 7, 2005**

(51) **LOC (8) Cl.** **08-05**

(52) **U.S. Cl.** **D8/373**

(58) **Field of Classification Search** D8/373,
D8/363, 354; 248/284.1; D14/451

See application file for complete search history.

(56) **References Cited**

U.S. PATENT DOCUMENTS

D415,768 S	10/1999	Howell	
6,273,382 B1	8/2001	Pemberton	
6,402,109 B1 *	6/2002	Dittmer	248/284.1
D493,800 S	8/2004	Pfister et al.	
D494,596 S	8/2004	Pfister	
D494,978 S	8/2004	Pfister	

D495,713 S	9/2004	Pfister et al.
D495,714 S	9/2004	Pfister
D496,367 S	9/2004	Pfister
6,831,829 B1	12/2004	Einhorn et al.
2002/0084396 A1	7/2002	Weaver

* cited by examiner

Primary Examiner—Holly Baynham

(74) *Attorney, Agent, or Firm*—Buhler & Associates; Kirk
A. Buhler

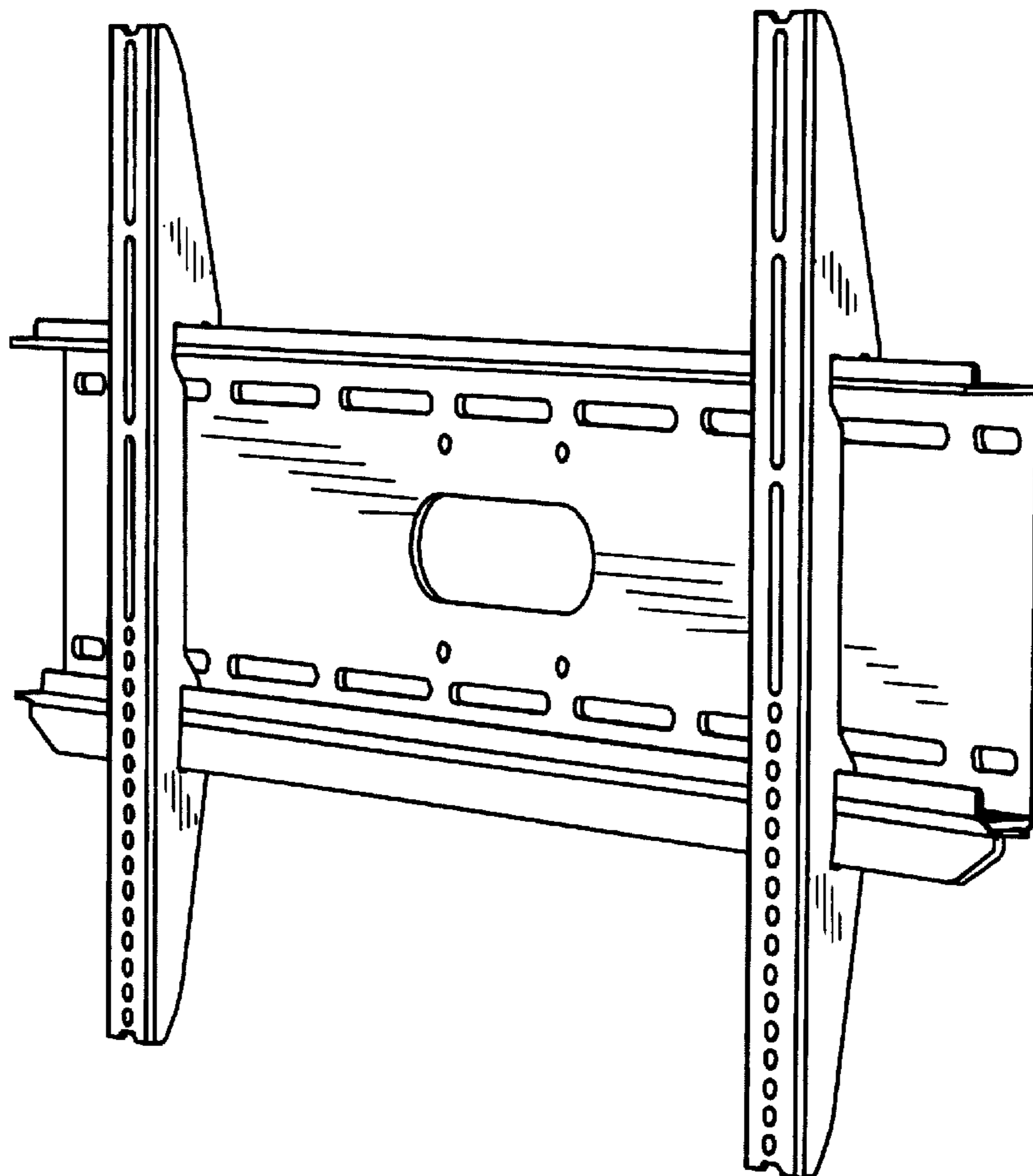
(57) **CLAIM**

The ornamental design for a flat television wall mounting
hardware with finite tilt positions, as shown and described.

DESCRIPTION

- FIG. 1 is a right isometric view.
- FIG. 2 is a right side view.
- FIG. 3 is a bottom view.
- FIG. 4 is a top view.
- FIG. 5 is a left side view.
- FIG. 6 is a left isometric view.
- FIG. 7 is a front view; and,
- FIG. 8 is a back view.

1 Claim, 3 Drawing Sheets



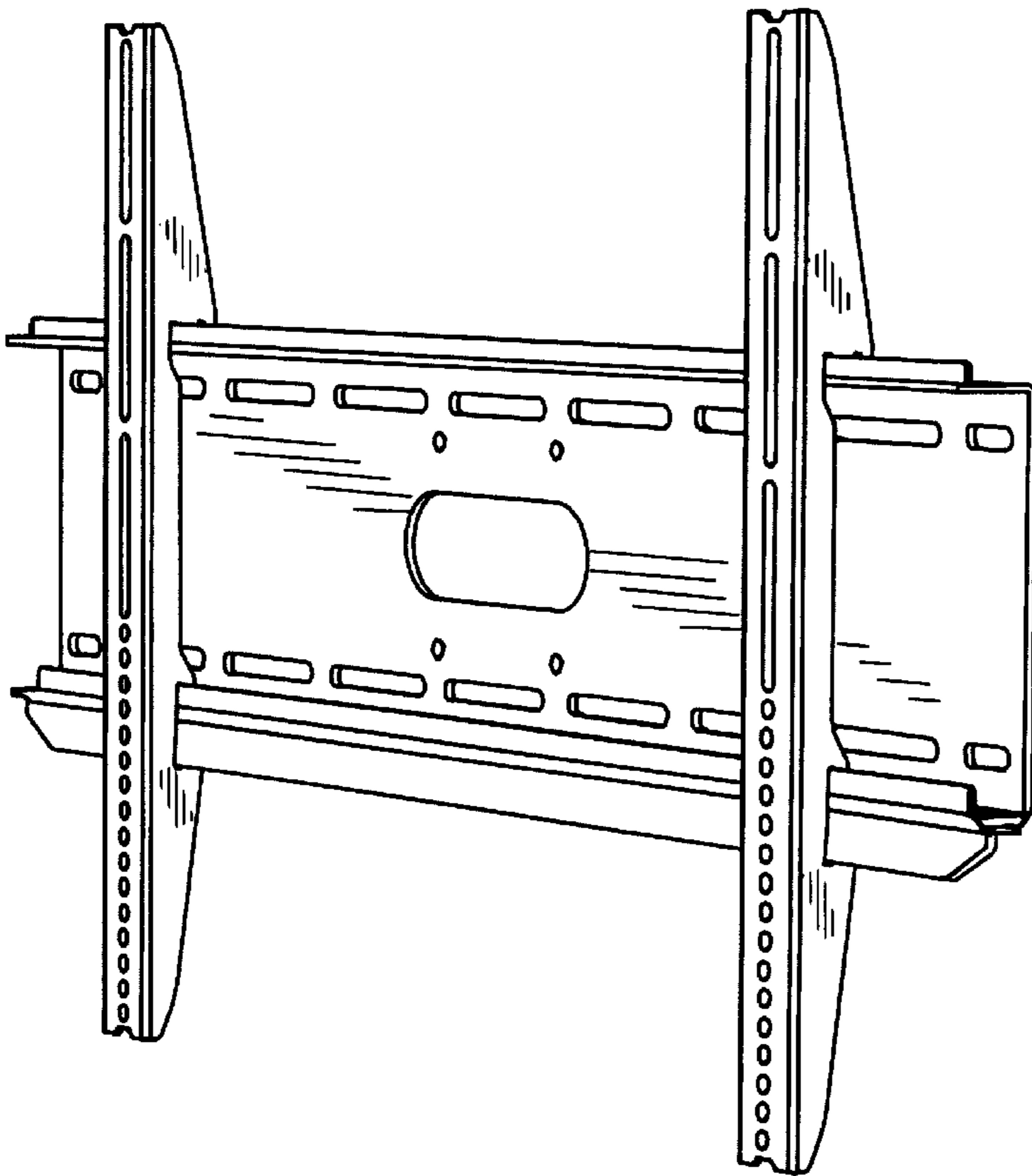


FIGURE 1



FIGURE 2

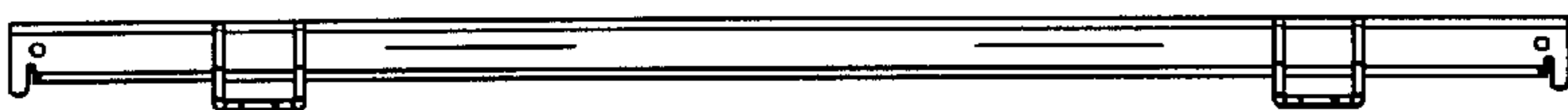


FIGURE 3

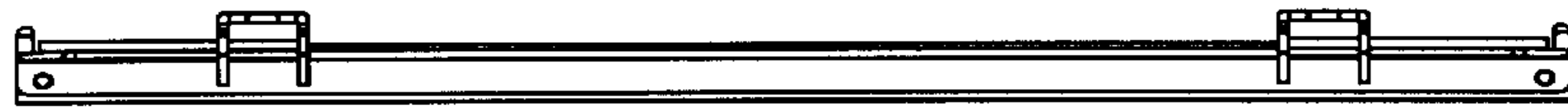


FIGURE 4

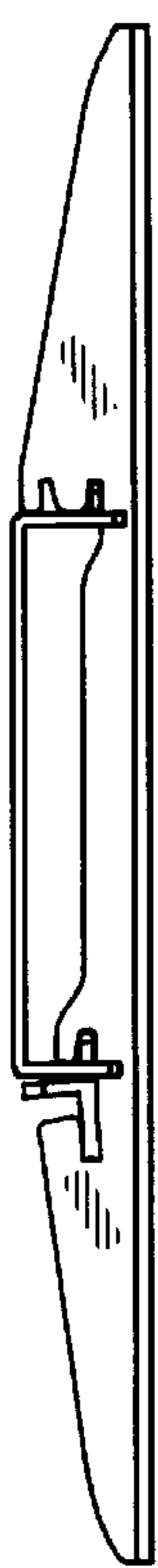


FIGURE 5

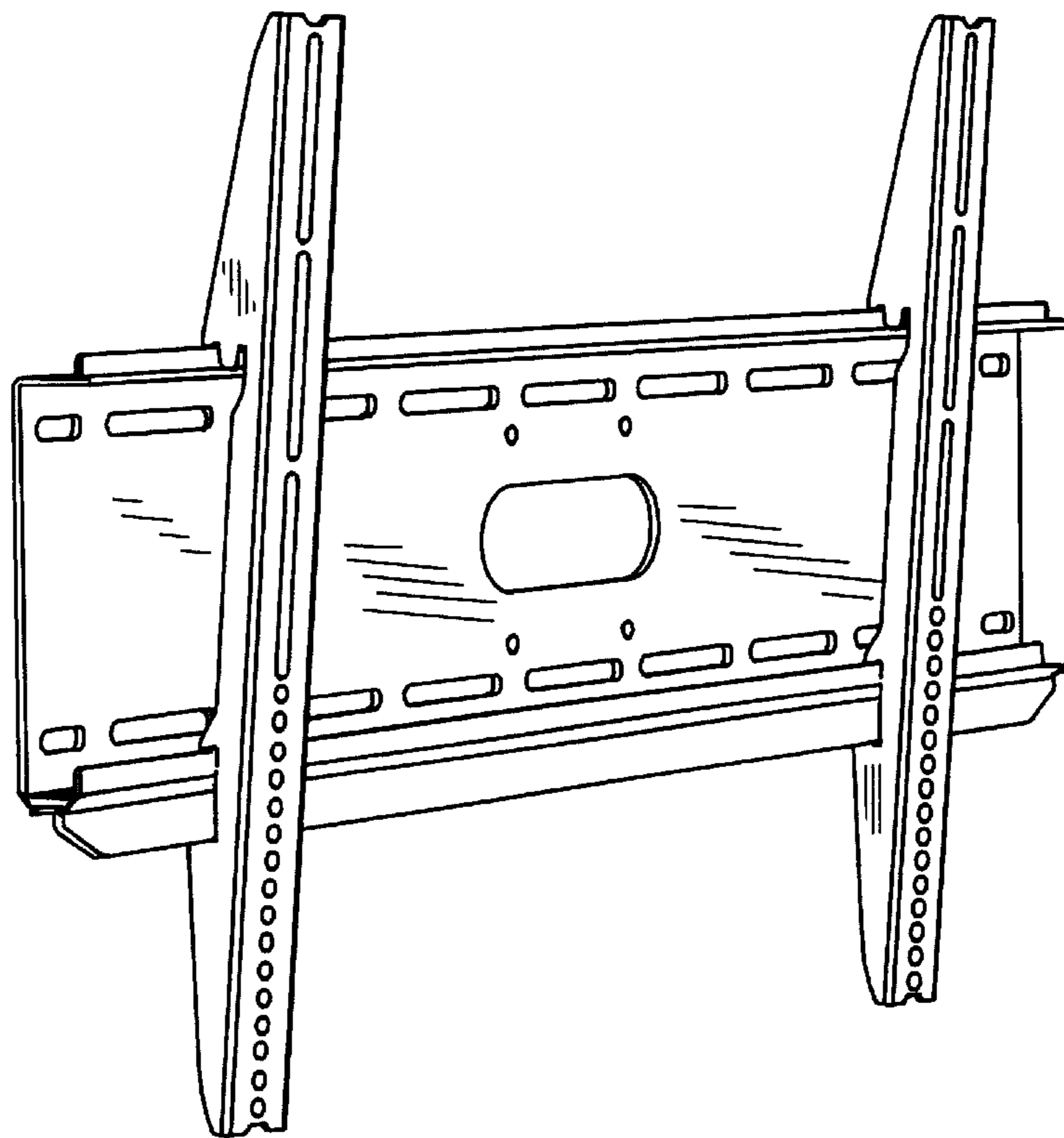


FIGURE 6

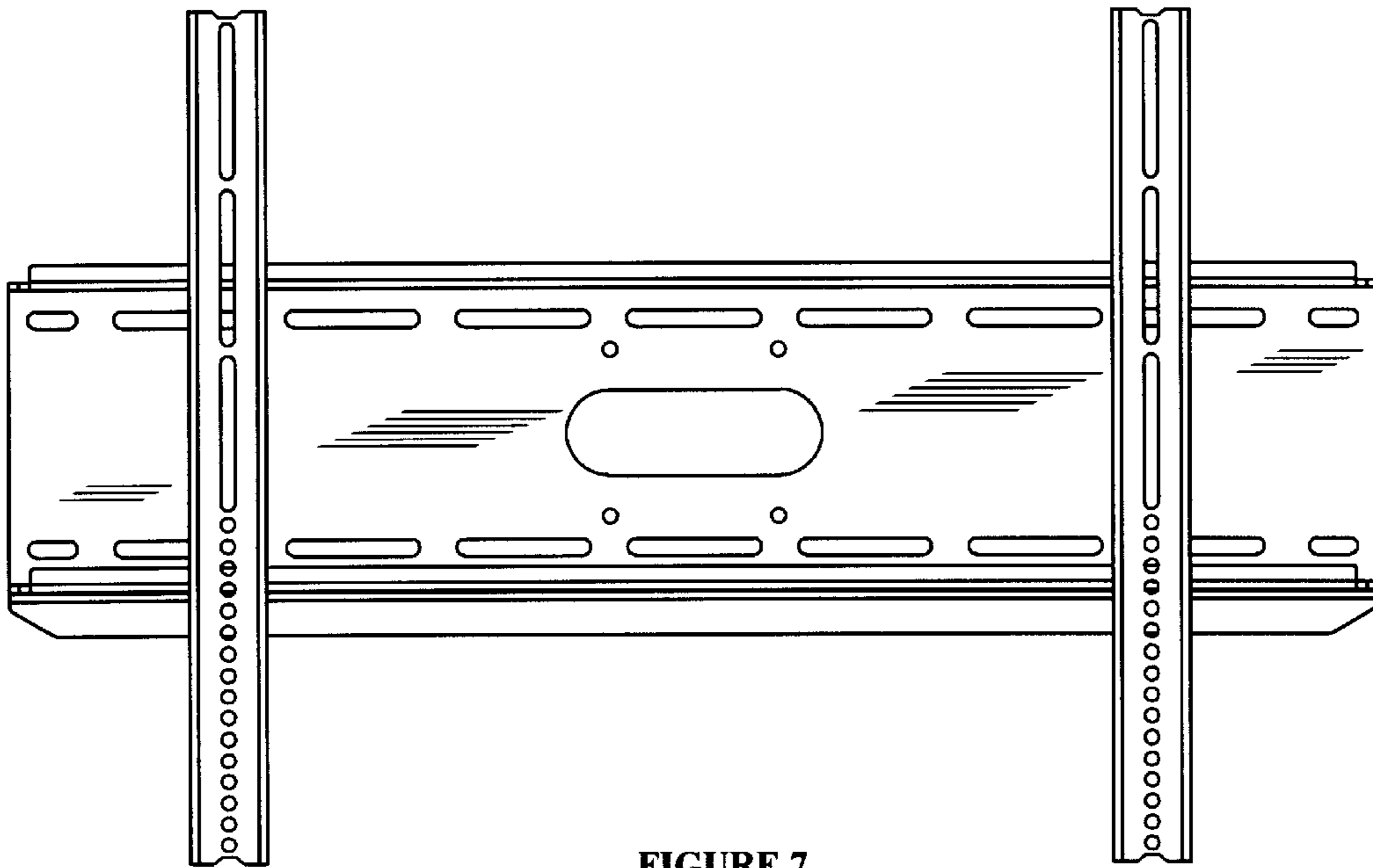


FIGURE 7

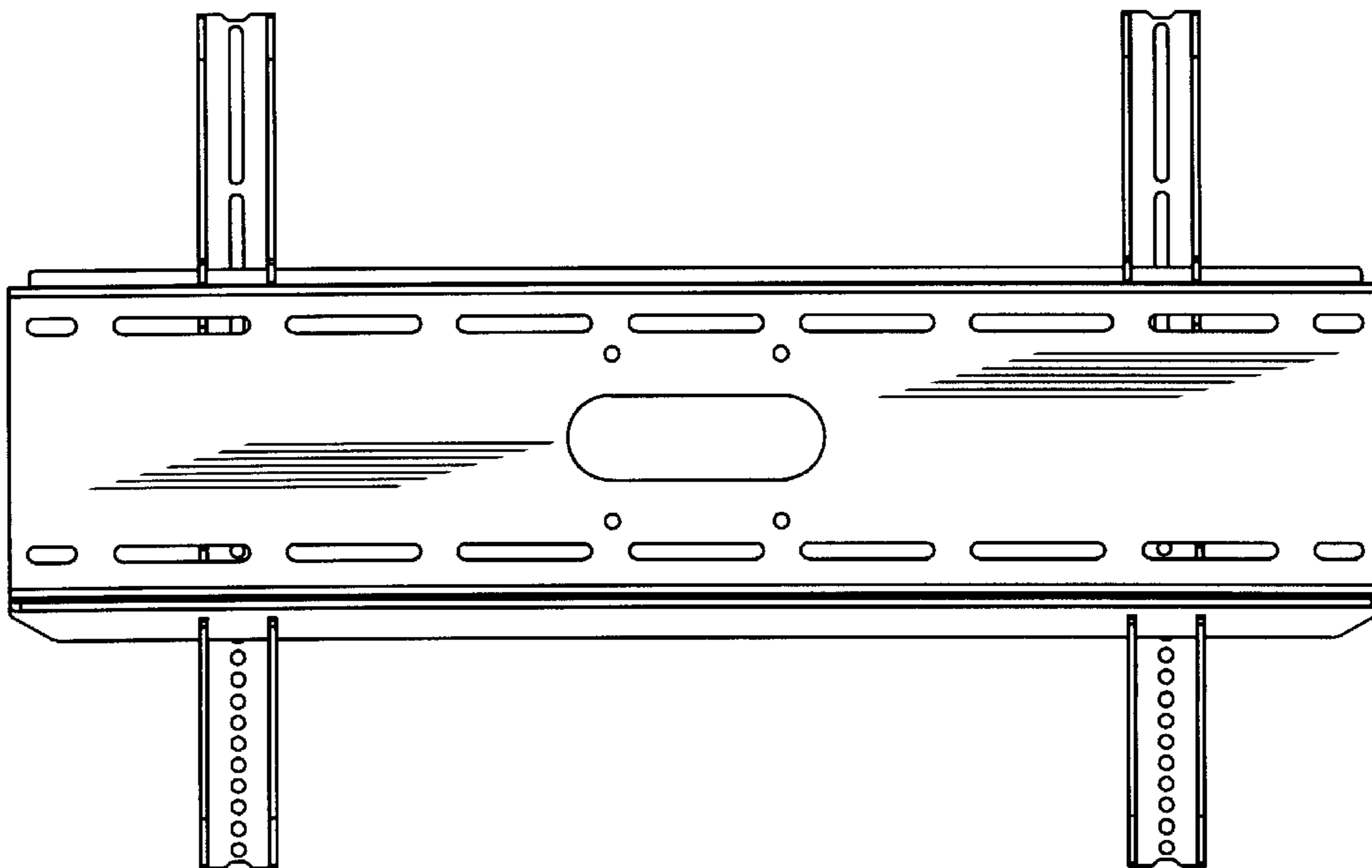


FIGURE 8