



US00D528900S

(12) **United States Design Patent**
Thompson

(10) **Patent No.:** **US D528,900 S**

(45) **Date of Patent:** **** Sep. 26, 2006**

(54) **HOOK ROD AND SLIDE FASTENER FOR SUPPORT OF CONDUIT, CABLE, WIRE AND THE LIKE**

D253,277 S * 10/1979 Hensjo D8/370

* cited by examiner

(76) Inventor: **William J. Thompson**, 11 Hillsborough, Newport Beach, CA (US) 92660

Primary Examiner—Holly Baynham
(74) *Attorney, Agent, or Firm*—Dennis W. Beech

(**) Term: **14 Years**

(57) **CLAIM**

The ornamental design for a hook rod and slide fastener for support of conduit, cable, wire and the like, as shown and described.

(21) Appl. No.: **29/244,997**

(22) Filed: **Dec. 15, 2005**

DESCRIPTION

Related U.S. Application Data

(60) Provisional application No. 60/665,017, filed on Mar. 25, 2005.

FIG. 1 is a first side elevation view of the hook rod and slide fastener for support of conduit, cable, wire and the like showing my new design;

(51) **LOC (8) Cl.** **08-05**

(52) **U.S. Cl.** **D8/370**

FIG. 2 is a front elevation view of the invention thereof;

(58) **Field of Classification Search** D8/370,

D8/367; 248/302–303; 174/79; 24/129 R, 24/136 R

FIG. 3 is a second side elevation view thereof;

FIG. 4 is a rear elevation view thereof;

FIG. 5 is a top view thereof; and,

FIG. 6 is a bottom view thereof.

See application file for complete search history.

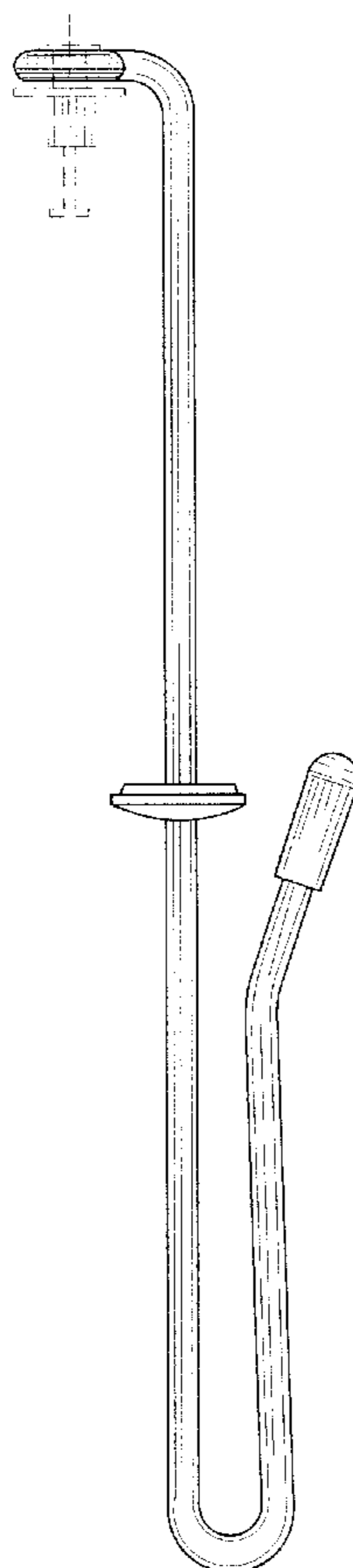
The broken line showing of structure is for illustrative purposes only and forms no part of the claimed design.

(56) **References Cited**

U.S. PATENT DOCUMENTS

3,089,916 A * 5/1963 Baricevic et al. 174/79

1 Claim, 1 Drawing Sheet



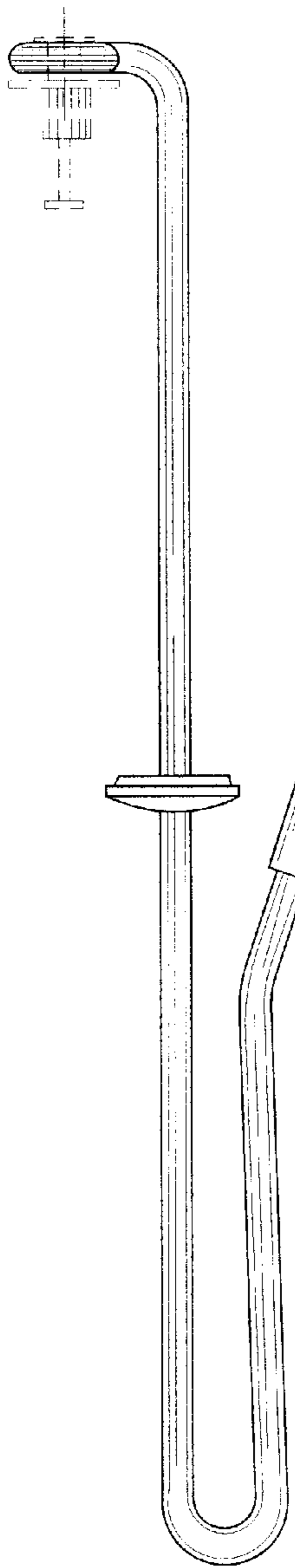


FIG. 1

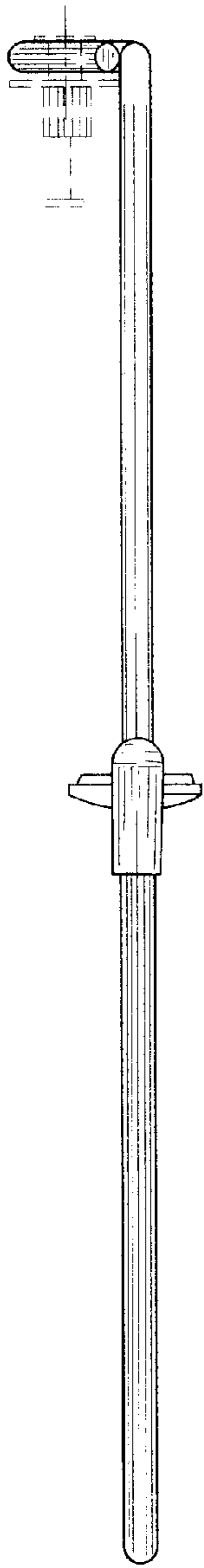


FIG. 2

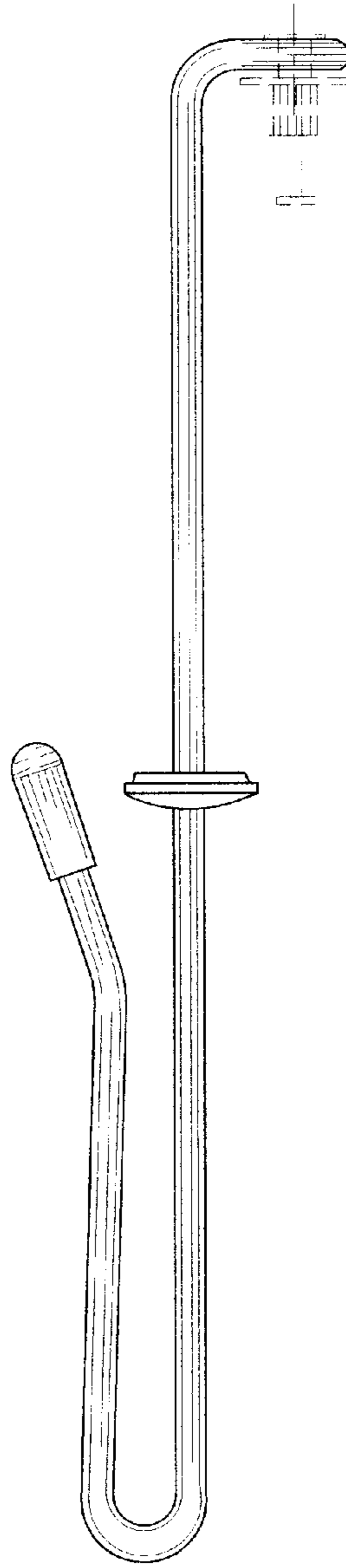


FIG. 3

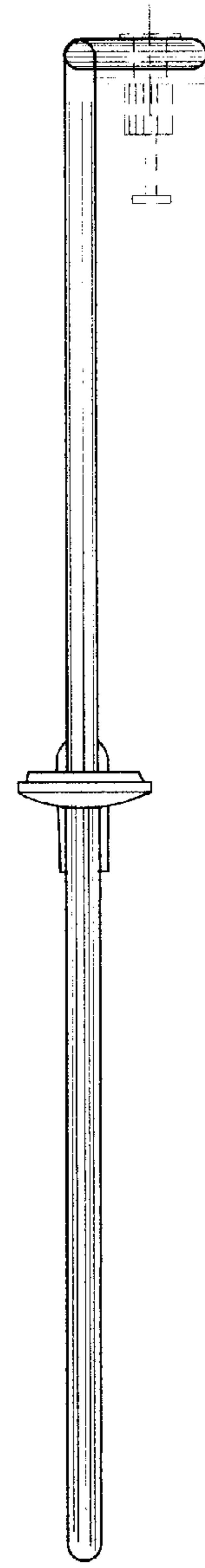


FIG. 4

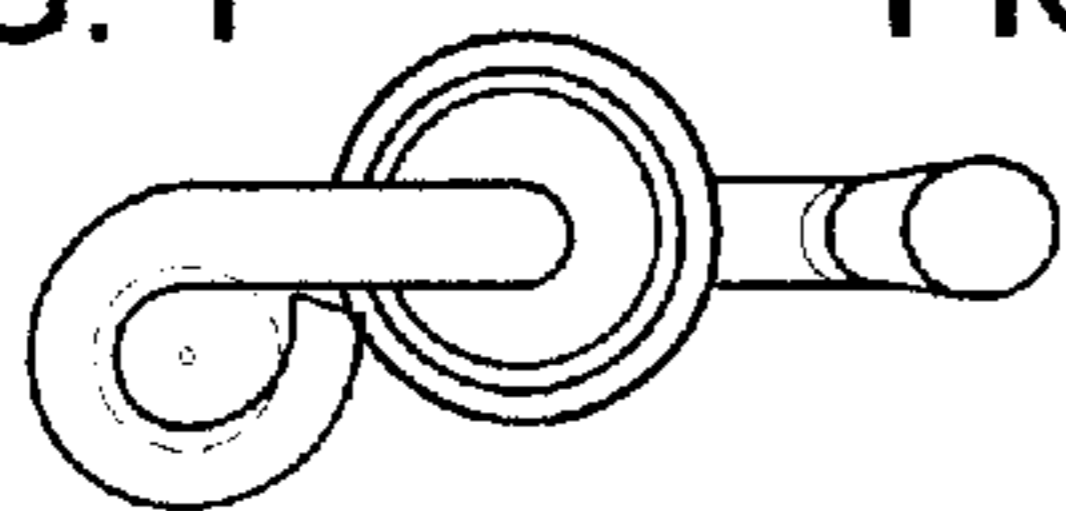


FIG. 5

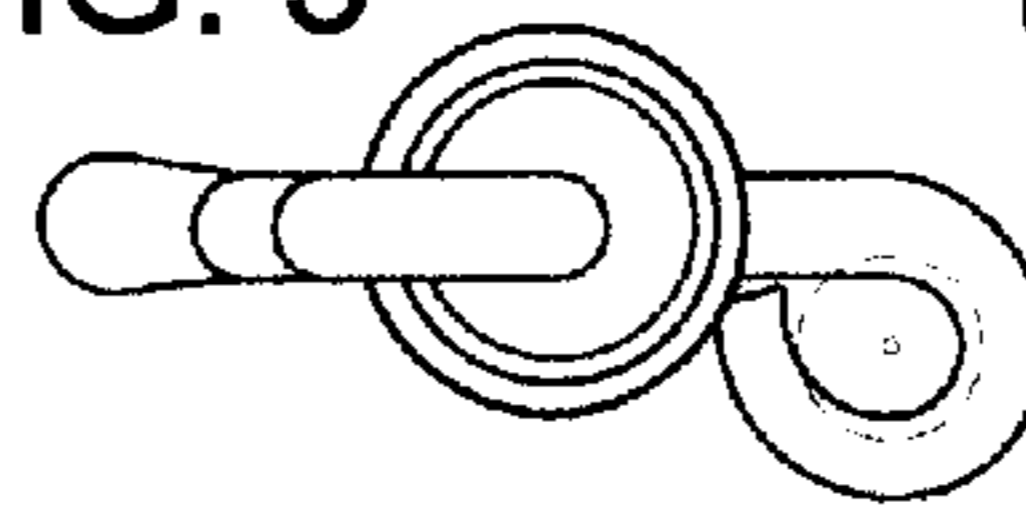


FIG. 6